

Unit Information

WCT800

Amps 19 • Watts 2200

WCT810

Amps 17 • Watts 2025

WCT800RC

Amps 15 • Watts 1800

WCT820 - WCT8206

Amps 12.5 • Watts 1500



120 Volt Toasters

WCT800

Four 1 1/8" Toast Slots

WCT800RC

Four 1 1/8" Toast Slots

WCT810

Two 1 1/8" Toast Slots
Two 1 5/8" Extra Wide Slots

WCT820

Four Bagel Slots

WCT8206

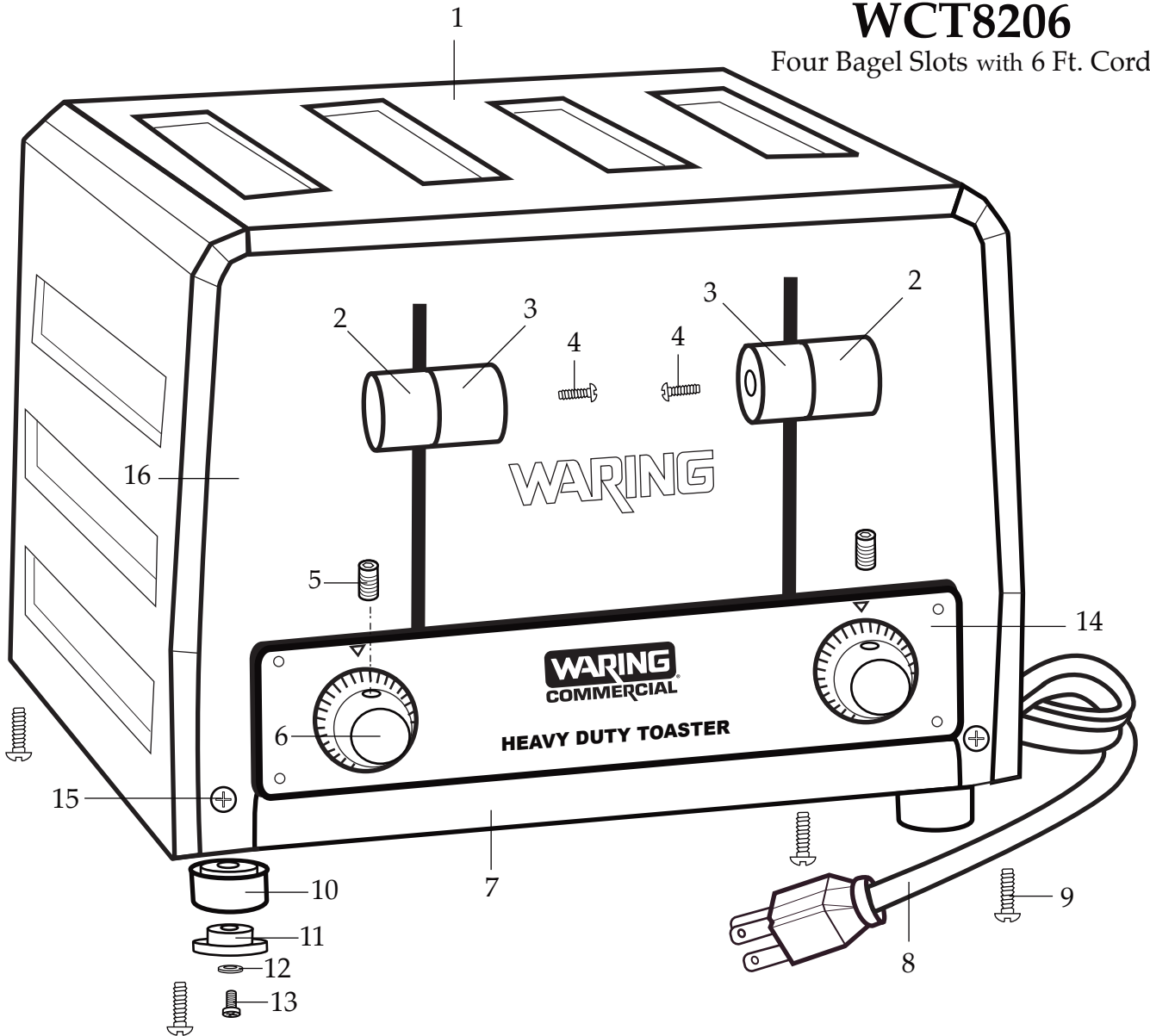
Four Bagel Slots with 6 Ft. Cord

Plug Configuration

WCT800 or WCT810

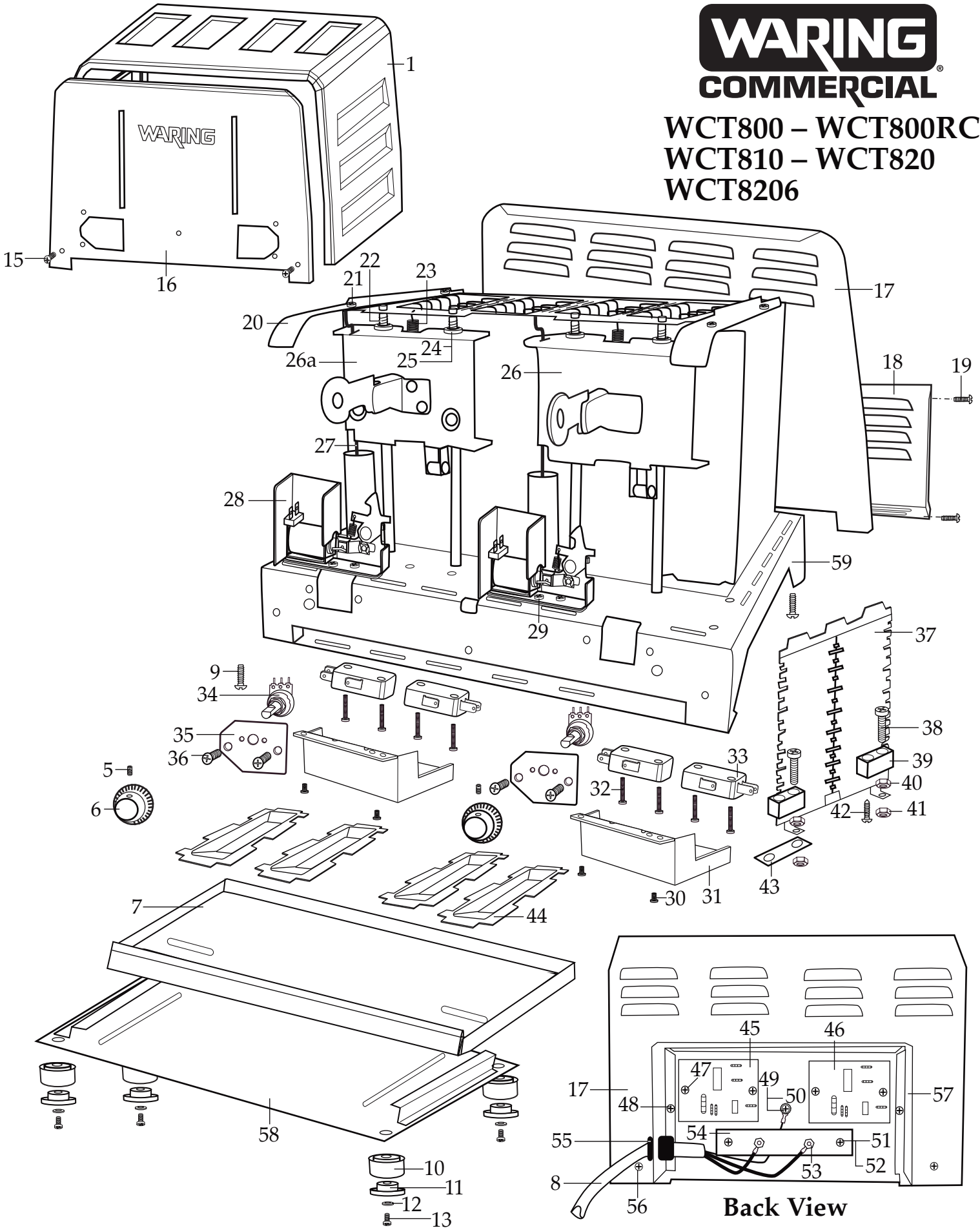


WCT800RC or WCT820
WCT8206



WARING COMMERCIAL

WCT800 – WCT800RC
WCT810 – WCT820
WCT8206



Back View

Catalog#/Model

WCT800
WCT800RC
WCT810
WCT820
WCT8206



Illustration #	Part #	Description
1	027219 027169 029825	Top Cover Plate for WCT800, WCT800RC Top Cover Plate for WCT810 Top Cover Plate for WCT820, WCT8206
2	027170	Push Knob (2 required)
3	027171	Push Knob (2 required)
4	027172	Screw (2 required)
5	027173	Set Screw (2 required)
6	027174	Browning Control Knob
7	027175	Crumb Tray
8	027176 027941 029799	Cord Set for WCT800, WCT810 Cord Set for WCT800RC, WCT820 Cord Set for WCT8206
9	027177	Screw (4 required)
10	027178	Foot (4 required)
11	027179	Rubber Foot (4 required)
12	027180	Washer (4 required)
13	027181	Screw (4 required)
14	502939	Front Panel Assembly
15	027177	Screw (2 required)
16	027182	Front Cover Plate
17	027183	Back Cover Plate
18	027184	Power Box Cover
19	027177	Screw (4 required)
20	027185	Housing Support (2 required)
21	027186	Screw (4 required)
22	027187	Compression Wire Spring (4 required)
23	027188	Moving Bracket Spring (2 required)
24	027189	Bracket Bushing (8 required)
25	027190	C Ring (4 required)
26	502940	WCT800, WCT800RC Moving Bracket Assembly (2 required)
	502940	WCT810 Moving Bracket Assembly (1 required)

Catalog#/Model

WCT800
WCT800RC
WCT810
WCT820
WCT8206



Illustration #	Part #	Description
26a	502941 502941	WCT810 Moving Bracket Assembly (1 required) WCT820, WCT8206 Moving Bracket Assembly (2 required)
27	027191	Damper Cylinder Rod (2 required)
28	027192	Locking Mechanism
29	027193	Screw (4 required)
30	034768	Screw (4 required)
31	034767	Switch Cover (2 required)
32	034769	Screw (8 required)
33	033456	Micro Switch (4 required)
34	027198	Rheostat (2 required)
35	027199	Insulated Bracket Plate (2 required)
36	027200	Screw (4 required)
37	027201 027901 027221 029826	WCT800 Elements-17-7268 (8 required) WCT800RC Elements-17-7271 (8 required) WCT810 Elements-17-7269 (6 required) WCT820, WCT8206 Elements-17-7634 (2 required)
38	027202	Screw (16 required)
39	027203	Ceramic Insulator Bracket (16 required)
40	027204	Hex Nut (16 required)
41	027205	Hex Nut (16 required)
42	027206	Screw (16 required)
43	027207	Jumper Bracket
44	027947 027946	Standard Baffle Wide Slot Baffle
45	027208 027942 027291	PC Board (2 required) for WCT800 (<i>older units</i>) PC Board (2 required) for WCT800RC Toast Side PC Board for WCT810 (<i>older units</i>)
46	027290 027290	Bagel PC Board for WCT810 (<i>older units</i>) PC Board (2 required) for WCT820, WCT8206
47	027209	Screw (4 required)
48	027210	Screw (2 required)

Catalog#/Model

WCT800
WCT800RC
WCT810
WCT820
WCT8206

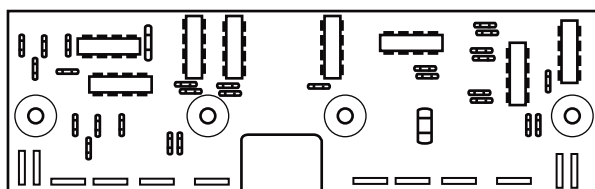


Illustration #	Part #	Description
49	027211	Lock Washer-ground
50	027212	Green Screw-ground
51	027213	Screw (2 required)
52	027214	Power PCB Holder (2 required)
53	027215	Hex Nut (4 required)
54	027216	Power Terminal Board
55	027217	Strain Relief
56	027177	Screw (2 required)
57	027218	Power Box Body
58	027225	Bottom Cover
59	034770	WCT800 Toaster Chassis Assembly
	502944	WCT800 Toaster Chassis Assembly (<i>older units</i>)
	503026	WCT800RC Toaster Chassis Assembly
	502945	WCT810 Toaster Chassis Assembly
	503279	WCT820, WCT8206 Toaster Chassis Assembly

Items Not Shown

027214 - Main PCB Holder for pc board (4 required)
027222 - Screw for front panel assembly (5 required)

Current Production



030240 - WCT800 PC Board
030239 - WCT810 PC Board

Items No Longer Used

