

TECHNICAL DATA SHEET

Lever Roll Towel

Product Code: T1100 & T1200

- Universal
- Easy to change drive module & parts
- Break and chemical resistant
- T1200 offers an auto-transfer mechanism for stub roll

Installation: Wall mounted

Closure: With lock

Color: Black Pearl, Arctic Blue, White/Clear

Dimensions:

16.5" (L) x 12.94" (W) x 9" (D)
419 mm (L) x 329 mm (W) x 235 mm (D)

Capacity:

(1) 8" (200mm) wide roll; 8" (200mm) diameter
and 4" (100mm) stub roll

Core Diameter:

1.5" (38mm)

Case Weight: 6.0 lbs (2.72kgs)

Materials:

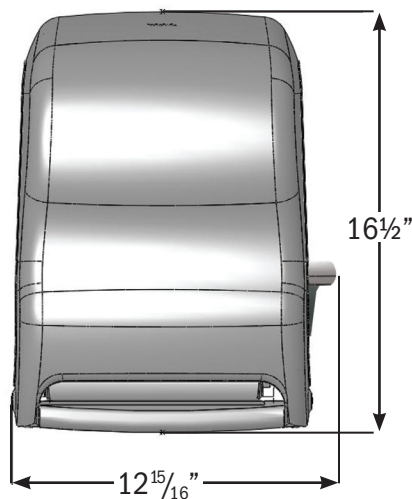
Base : break resistant plastic
Cover: break resistant plastic

Standard Product Codes:

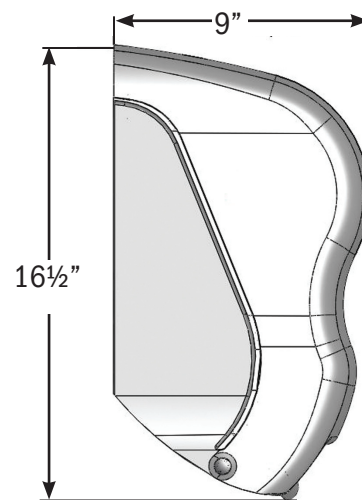
T1100TBL, T1100TBK, T1100WH, T1100WHCL
T1200TBL, 1200TBK, T1200WHCL (Auto Transfer)



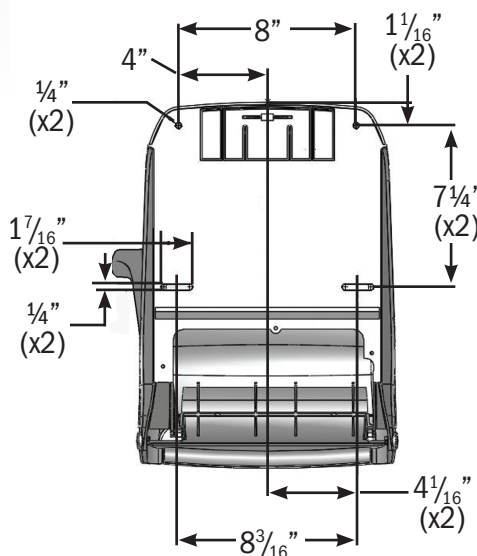
FRONT (inches)



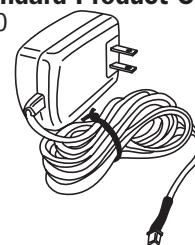
SIDE (inches)



BACK (inches)



Optional AC Adapter
Standard Product Code:
XT50



SAN JAMAR®

Smart ♦ Safe ♦ Sanitary

555 Koopman Lane
Elkhorn, Wisconsin 53115 USA
800.248.9826/262.723.6133
Fax: 262.723.4204
www.sanjamar.com