

Camcruiser® Vending Cart

Model CVC55

Item No. _____

Specifier Identification No. _____

Model No. _____

Quantity _____

Features & Benefits

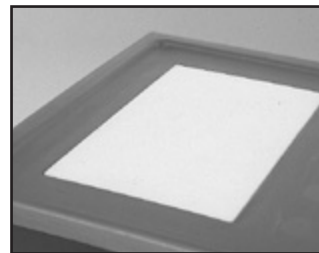
- Load this foodservice merchandising cart with pizza, hot dogs, nachos, chips, smoothies and/or soft drinks. Transports easily for added sales and increased convenience.
- Double-wall, high-density, polyethylene construction is impact resistant and will not dent, crack, bubble, chip, rust or break. Can be wiped or steam cleaned.
- Polyurethane foam core provides added strength and durability.
- Wide solid work area 4" x 6¾" (10,2 x 17,1 cm). Separate opening for electrical cord. Cover for opening is included.
- One (1) counter cut out holds one (1) each 1/1 Full Size Food Pan, up to 8" (20 cm) deep or Fractional Size Food Pans with the use of Divider Bars (DIV12).
- Polyethylene cutting board is included with cart and may be placed over cut out to increase work space. Optional well cover may also be used.
- Two (2) open holding compartments on the bottom provide ample storage space.
- Removable 60" (152,4 cm) umbrella comes in five (5) colors.
- Large merchandising front panel is standard and can be personalized as an option.
- Molded-in handles on both sides provided comfortable easy transporting.
- Four (4) each 6" (15,2 cm) casters, two (2) fixed and two (2) swivel, one (1) with brake, ensures easy maneuvering.
- Non-electrical.
- Some assembly required.
- Available in five (5) colors.



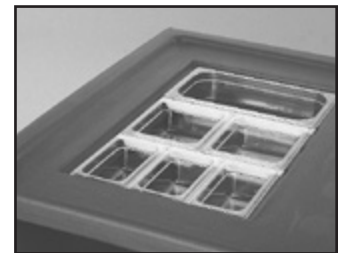
CVC55



Soft Drink
Camcruiser
Vending Cart



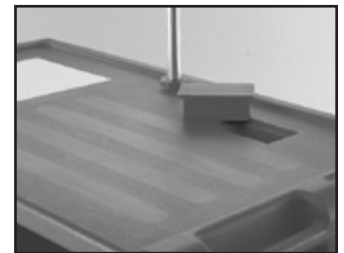
White FDA approved polyethylene cutting board included.



Countertop cut out holds 1 each 1/1 Full Size Pan or Fractional Size Food Pans with Divider Bars.



Molded-in handles provide easy maneuvering.



4"x 6¾" (10,2 x 17,1 cm) includes opening for electrical. Plug is Included.

Approvals

Camcruiser® Vending Cart

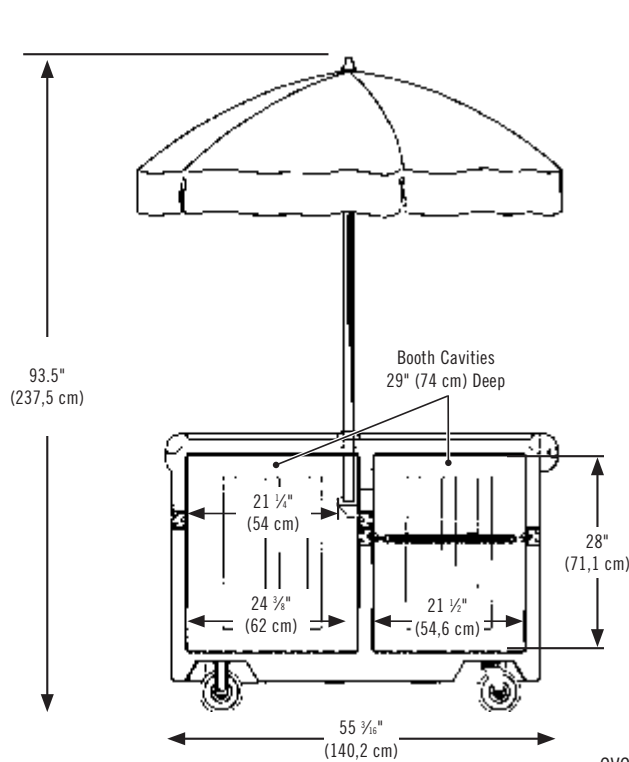
Model CVC55

Item No. _____

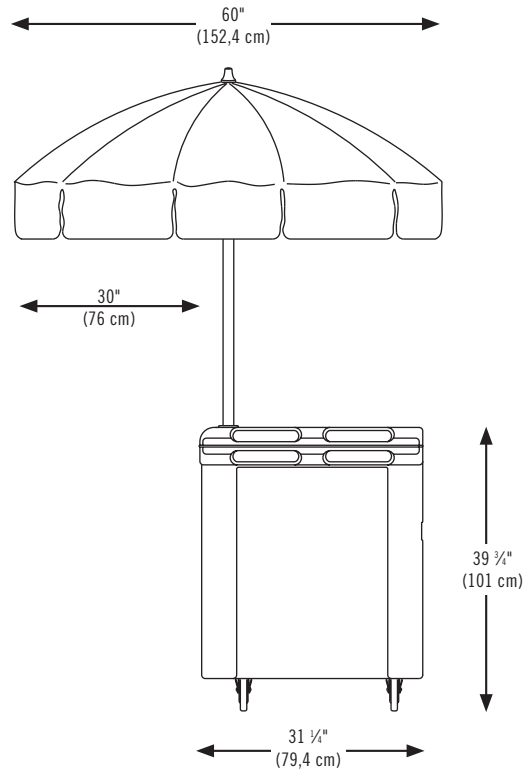
Specifier Identification No. _____

Model No. _____

Quantity _____



CVC55



Specifications

Dimension Tolerance: +/- 1/4" (0,64 cm)

Code	Description	Overall Dimensions L x W x H (With Umbrella)	Case lbs./cube kg/m ³
CVC55	Camcruiser Vending Cart	55 3/8" x 60" x 93,5" (140,2 x 152,4 x 237,5 cm)	175 (46.52) 80 (1,3)

Optional Accessories

- Divider Bar** DIV12 White (148) Clear (135)
- Cutting Board** CB1220 White (148) (1 included)
- Retainer Strap** 730STP Black (110)
- Well Cover** WCR1220 Color matches cart.
- Full 1/2 GN Camchiller** CP1220 Cold Blue (159)
- 1/2 GN Camchiller** CP1210 Cold Blue (159)
- Camchiller** CP814 Cold Blue (159)

Standard Colors

Camcruiser Vending Cart:

- Granite Gray (191) w/ Black/White Umbrella
- Granite Green (192) w/ Green/White Umbrella
- Black (110) w/ Black /White Umbrella
- Kentucky Green (519) w/ Green/White Umbrella
- Hot Red (158) w/ Red/White Umbrella

Well Cover:

- Black (110)
- Hot Red (158)
- Granite Green (192)
- Kentucky Green (519)
- Granite Gray (191)

Architect Specs

The portable foodservice cart shall be a Camcruiser Vending Cart, Model CVC55, manufactured by Cambro Mfg. Co., Huntington Beach, CA 92647 U.S.A. It shall be made of polyethylene and foam-injected polyurethane. It shall have molded-in handles on both sides for easy maneuvering. It shall have 4 each 6" (15,2 cm) casters, 2 swivel 1 w/ brake and 2 fixed, on an aluminum chassis. It shall have a single counter cut out to hold one 1/1 Full Size Food Pan, up to 8" (20 cm) deep. It shall include an FDA approved polyethylene cutting board. It shall have 2 open storage compartments for supplies. It shall come with a 60" (152,4 cm) umbrella and a large front merchandising panel that can be personalized. It shall be offered in five (5) colors.

Approvals



© Cambro Manufacturing Company 5801 Skylab Road, Huntington Beach, California 92647-2056-U.S.A.
 Telephone 714 848 1555 Toll Free 800 854 7631 Customer Service 800 833 3003