

**HAND SINKS**  
**DH-17, DH-18, DH-19**  
**(With Splash & Low-Lead Faucet)**

PROJECT#: \_\_\_\_\_

ITEM# \_\_\_\_\_

MODEL# \_\_\_\_\_



**DH-17L**

**DH-17R**

**DH-17D**

**Low Cost Solutions for Back Room Operations:**

- ◆ Supermarkets
- ◆ Convenience Stores
- ◆ Hospitals
- ◆ Factories

**Features:**

- ◆ Constructed from Heavy Gauge Type 304 Series Stainless Steel
- ◆ Available through the Amtekco Quick Ship Program
- ◆ All Sinks are N.S.F. Listed
- ◆ Multiple Designs for Multiple Applications



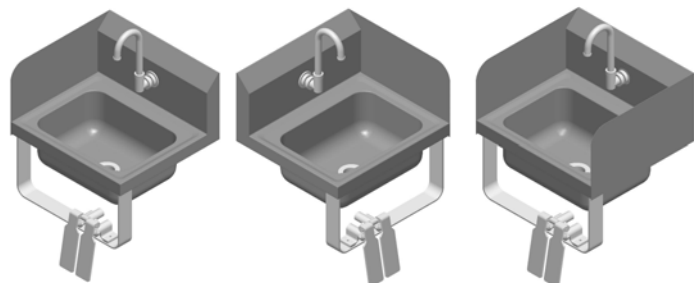
**DH-18L**

**DH-18R**

**DH-18D**

**Mechanical Specifications:**

- ◆ Meets “Low Lead” or “Lead-Free” Faucet Specifications
- ◆ Sink Bowl is 13-3/4” x 9-7/8” x 5-3/8”
- ◆ Crumb Cup Drain 1-1/2” NPS
- ◆ Faucets 1/2” NPS
- ◆ Foot Valves & Knee Valves 1/2” NPS



**DH-19L**

**DH-19R**

**DH-19D**

MODEL#	SPLASH LOCATION	SHIPPING WEIGHT
DH-17L	LEFT	15 lbs.
DH-17R	RIGHT	15 lbs.
DH-17D	LEFT & RIGHT	17 lbs.
DH-18L	LEFT	20 lbs.
DH-18R	RIGHT	20 lbs.
DH-18D	LEFT & RIGHT	21 lbs.
DH-19L	LEFT	20 lbs.
DH-19R	RIGHT	20 lbs.
DH-19D	LEFT & RIGHT	21 lbs.

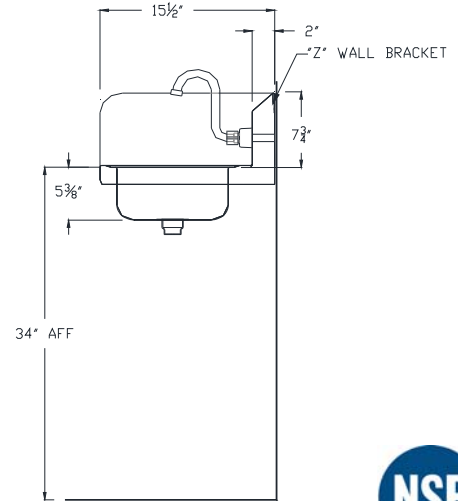
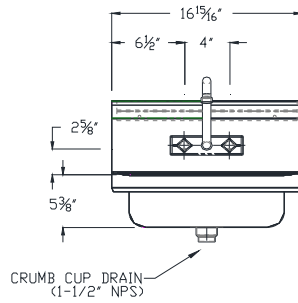
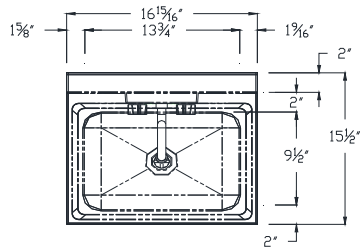
All Models Can Be Shipped U.P.S.

Amtekco offers a full line of standard hand washing sinks to satisfy every requirement and the most rigorous local sanitation requirements. These superior products feature type 304 stainless steel throughout for long life, ease in cleaning and low maintenance. Rugged, heavy gauge, die stamped and welded construction provides for rigid wall mounting for years of trouble free use. All faucets are N.S.F. listed.

**Models are in stock for immediate shipments**



## HAND SINKS DH-17, DH-18, DH-19 (With Splash & Low-Lead Faucet)

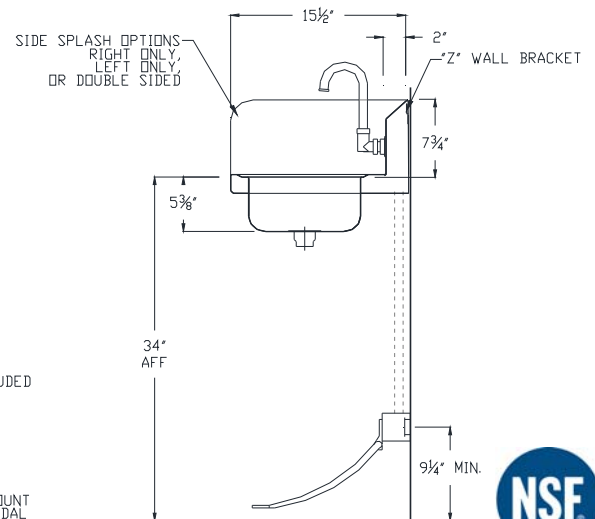
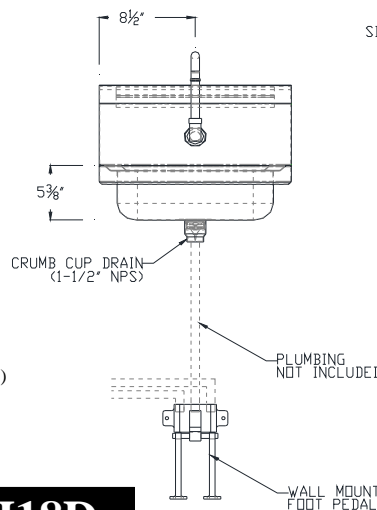
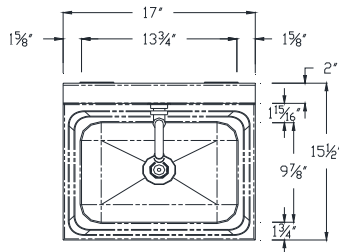


### Accessories:

- ◆ Low-Lead Faucet —#KHS15-4000 w/ Gooseneck Spout (1/2" NPS)
- ◆ Crumb Cup Drain (1-1/2" NPS)
- ◆ Wall Mounting Bracket



## DH-17L, DH-17R, DH17D

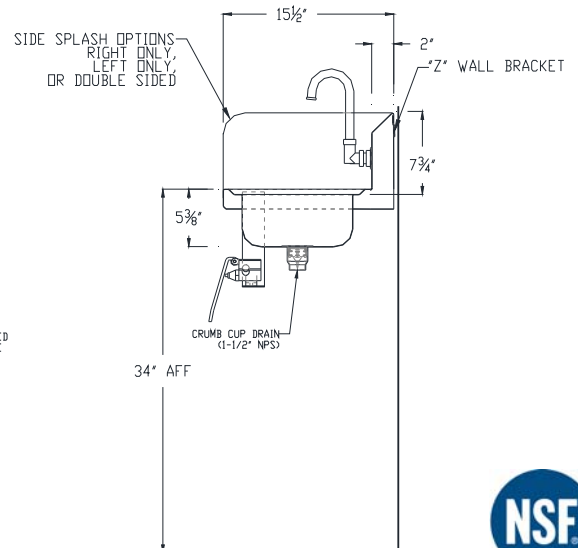
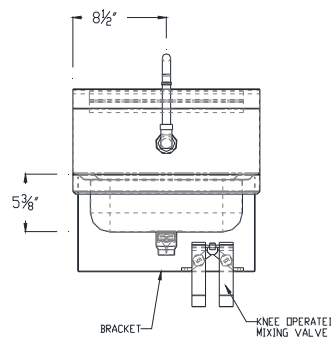
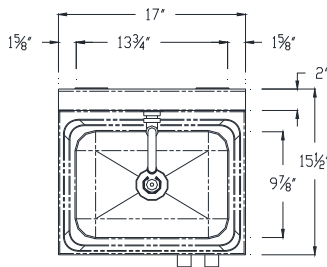


### Accessories:

- ◆ Low-Lead
  - ◆ #B-0504 Wall Mount Foot Pedal (1/2" NPS)
  - ◆ #KL72-9000 Swivel Gooseneck Faucet (1/2" NPS)
- ◆ Crumb Cup Drain # (1-1/2" NPS)
- ◆ Wall Mounting Bracket



## DH-18L, DH-18R, DH18D



### Accessories:

- ◆ Low-Lead: #KL25-3000 Kit Combination Package
  - ◆ #KL25-3000 Wall Mount Foot Pedal (1/2" NPS)
  - ◆ #KL72-9000 Swivel Gooseneck Faucet (1/2" NPS)
- ◆ Crumb Cup Drain (1-1/2" NPS)
- ◆ Wall Mounting Bracket
- ◆ Knee Valve Bracket



## DH-19L, DH-19R, DH19D