

## NON-INSULATED TRAY DELIVERY CART MODEL 101-1418 SERIES

### FEATURES AND BENEFITS:

- Non-insulated cabinet for tray transport and storage. Ideal for use as a patient tray delivery cart.
- Same size top and base extend past sidewalls to act as natural bumpers for protection. Extruded frame fully welded.
- Body constructed of non-corrosive, Hi-Tensile aluminum for strength and ease of mobility
- Optional pass-thru design available for easy access from either side. Model 101P-1418-20.
- Reinforced, full length door swings 270° and can be latched to the cabinet side for convenience. Card clip included.
- Gravity type latch secures door during transport.
- Extruded angle ledge pan supports hold 14" x 18" trays on 5-1/2" centers.
- Interior pan stop on door allow proper air flow.
- Heavy duty 5" swivel casters, two with brakes. Provides mobility when fully loaded.



101-1418-10

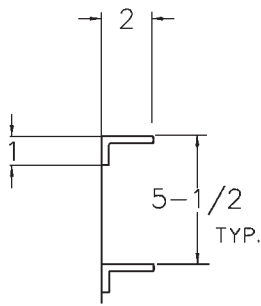


### ACCESSORIES and OPTIONS (Available at extra cost):

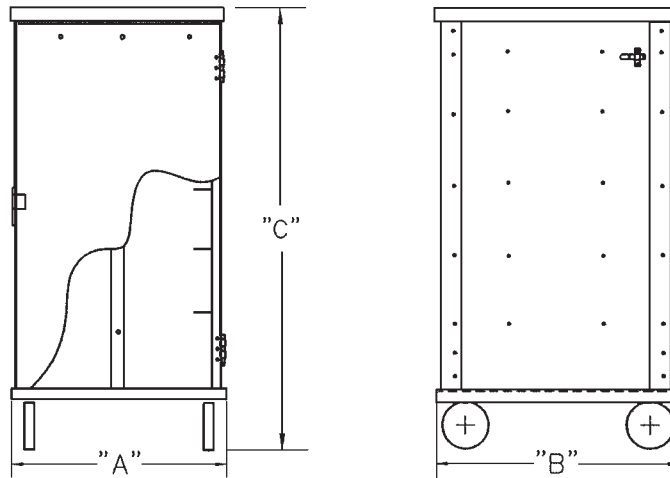
- Pass-Thru
- Lock Hasp
- Various Caster Options
- Corner Bumpers
- Perimeter Bumper
- Floor Lock (for use with 5" casters)
- Plexiglass Door
- Push Handle
- Bail Handle Kit
- Left-Hand Hinged Door
- Kold Keepers

See page A-20 for accessory details.

# 101-1418 Series



DETAIL OF  
PAN SLIDE



CRES COR MODEL NO.	PAN			DIM "A"	DIM "B"	DIM "C"	INSIDE DIMENSIONS				WEIGHT ACT.
	CAP	SIZE		WIDTH	DEPTH	HEIGHT	WIDTH	DEPTH	HEIGHT		
101-1418-10	10	14 x 18	IN	21	31	35-3/4	18-3/16	28-1/2	27-1/2	LBS	96
		360 x 460	MM	535	790	910	465	725	700	KG	44
101-1418-20	20	14 x 18	IN	21-3/4	31-1/2	63-3/4	18-15/16	29	55-1/2	LBS	126
		360 x 460	MM	555	800	1620	480	740	1410	KG	57

When ordering bumpers, add 2" to overall dimensions.

ALL CONSTRUCTION IS RIVETED, WELDED AND FINISHED.

## CABINET:

- Top: One piece .063 aluminum.
- Posts: Extruded aluminum channels, 7/8 x 2-1/4 x .102, welded to top and base, form a solid frame.
- Sides: .063 panels riveted to posts.
- Tie rod: Applied at front and back.
- Pan stop channels: Riveted to inside rear of cabinet and door.

## BASE:

- One piece construction, .125 aluminum.
- Casters: 5" dia., modulus tires, 1-1/4" wide, load cap. 250 lbs. each, temp. range -40°/+180°F. Delrin bearings. Front casters equipped with brakes.

## DOORS:

- Panels: Formed .063 aluminum.
- Reinforcements: 3/8 x 1-1/2 extruded bars riveted and welded horizontally to top, center and bottom.
- Latches: Gravity type, nickel plated steel.
- Swings 270° on butt hinges, riveted to posts and door panels.
- Slide latch holds door open.

## PAN SLIDES:

- Angles: Extruded angle supports 1 x 2 x .125 riveted to sides on 5-1/2" centers.

### SHORT FORM SPECIFICATIONS

Cres Cor Utility Cabinet Model 101-1418-\_\_\_\_. Formed and welded .063 aluminum top, .125 aluminum base. Extruded aluminum angles riveted on 5-1/2" centers. Holds (\_\_\_\_) 14" x 18" trays. Formed .063 aluminum door(s). 5" modulus casters, front casters with brakes. Load capacity 250 lbs. each, temperature -40° to +180° F. Provide the following accessories: \_\_\_\_\_ . NSF listed. 2 year parts warranty.



5925 Heisley Road • Mentor, OH 44060-1833  
Phone: 877/CRES COR • Fax: 440/350-7267  
www.crescor.com

© Crescent Metal Products, Inc. 2013 All rights reserved.

*In line with its policy to continually improve its products, CRES COR reserves the right to change materials and specifications without notice.*

Litho in U.S.A.