

Parts Catalog



G10

Slicing Machine

Model: G10

12/18/17N Rev. E, Serial Number 401428 and Up
IMPORTANT!

TO EXPEDITE SHIPMENT OF PARTS, ALWAYS SPECIFY MODEL, REV,
PART NUMBER, AND SERIAL NUMBER OF UNIT.

GLOBE FOOD EQUIPMENT COMPANY

2215 East River Road
Dayton, Ohio 45439

Parts Department

Toll Free 1-800-745-6238 · Fax (937) 290-0585

E-Mail: info@globefoodequip.com

Website: www.globefoodequip.com

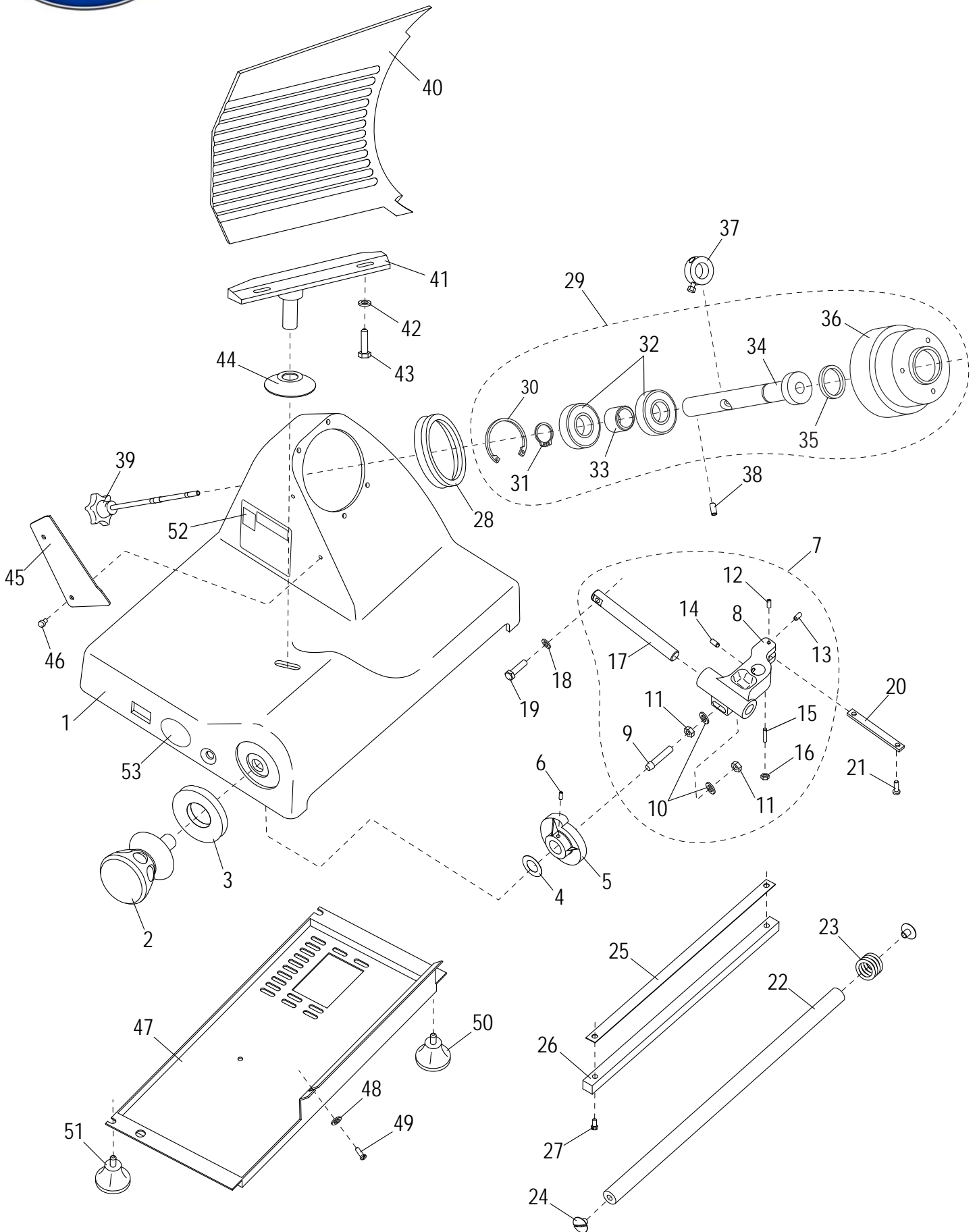
Not for resale

Table of Contents

Description	Page
G10 Base Components	4
G10 Chute Components	6
G10 Knife and Sharpener Components	8
G10 Electrical Components	10
G10 Wiring Diagram	12



G10 Base Components



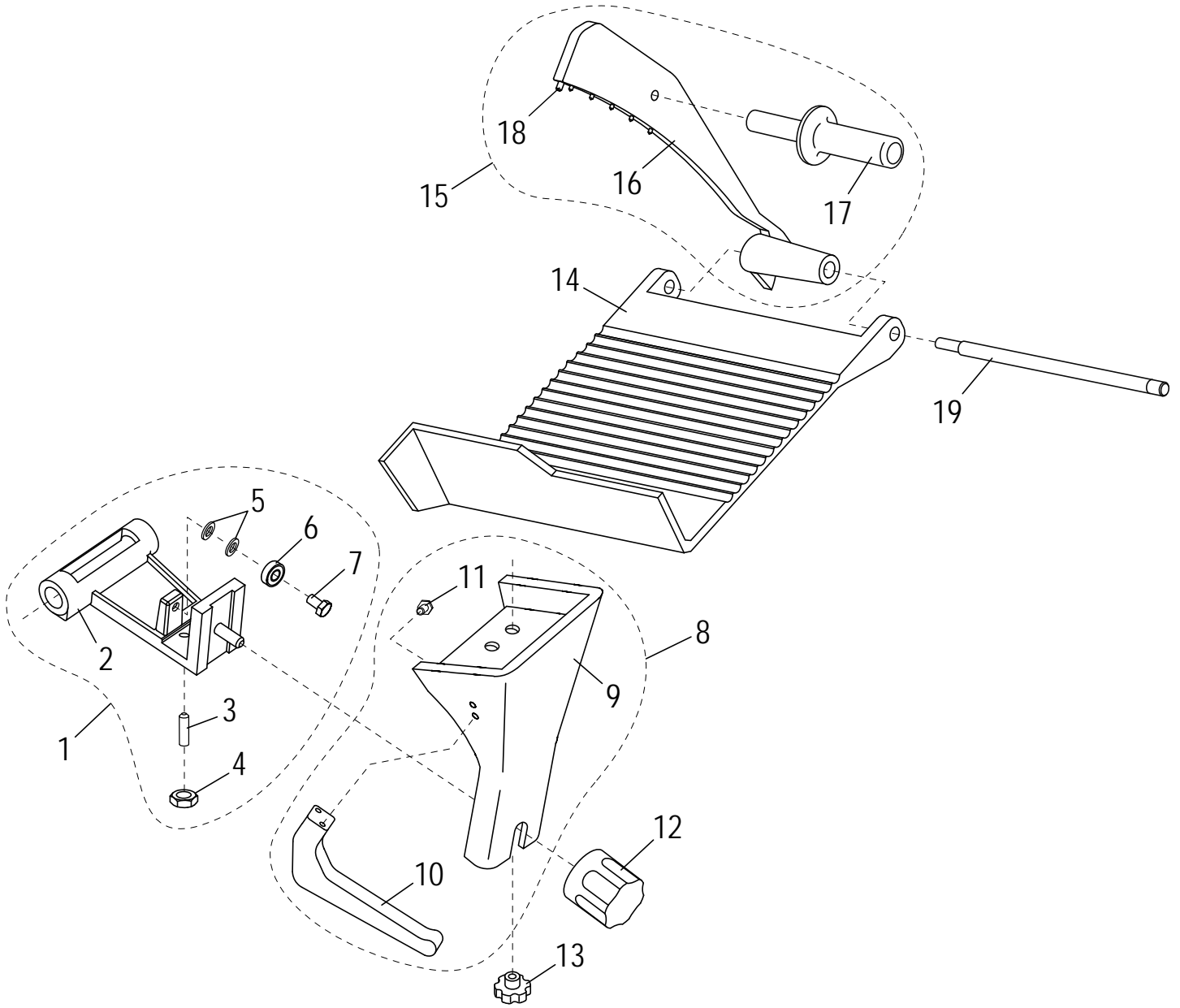


G10 Base Components

Item	Part Number	Description	Qty	Serial Number
1		Slicer Base	1	
2	M00208	Table Adjustment Knob	1	
3	M00211	Table Adjustment Ferrule	1	
4	M003	Wave Washer	1	
5	M004	Table Adjustment Cam	1	
6	H00181	Set Screw	2	
7	M00212	Table Slide Assy (Incl. items 8-17)	1	
8		Table Slide	1	
9	MCA34	Cam Actuator Stud	1	
10	H00014	Flat M6 Washer - Zn	2	
11	H00020	Hex Nut, M6	2	
12	H00182	Set Screw M5x10 Flat Pt Slotted - Zn	1	
13	H00189	Cheese Hd Screw M4-0.7x10 Slotted - Zn	1	
14	H00186	Set Screw M8-1.25x10 Cup Pt. Hex Socket - BO	2	
15	H00187	Cheese Hd Screw M5-0.8x16 Slotted - Zn	1	
16	H00028	Hex Nut M5 - Zn	1	
17	M014	Rod, Table Slide	1	
18	H00191	Flat Washer M8, 8.4 IDx16 ODx1.4-1.8mm thick DIN 125 - Zn	2	
19	H00116	Hex Head Screw M6-1.0x20 - Zn	2	
20	M016	Table Slide Plate	1	
21	H00061	Hex Head Screw M5x10, Zinc	2	
22	MCA26	Carriage Slide Rod	1	
23	MCA27	Carriage Spring	2	
24	MCA25	Carriage Slide Rod Screw	2	
25	MA31/1	Wear Strip, Slide Bar	1	
26	MCA31	Square Slide Bar	1	
27	H00187	Cheese Hd Screw M5-0.8x16 Slotted - Zn	2	
28	MGI77/5	V Ring, Knife Seal VA 80	1	
29	M00280	Knife Hub Assembly (Incl. items 30-36)	1	
30	H00053	Retaining Ring, Internal	1	
31	H00194	Retaining Ring, External	1	
32	MCA12/3	Bearing	2	
33	M00237	Spacer, Knife Pulley	1	
34		Shaft, Knife Hub - Switch Collar	1	
35		Oil Seal, Hub	1	
36		Pulley, Knife Hub	1	
37	MCB61	Microswitch Collar	1	
38	H00183	Set Screw M5x10 Cup Pt. Hex Socket - BO	1	
39	M00225	Knife Cover Release Knob	1	
40	M00221	Table	1	
41	M00239	Table Support	1	
42	H00014	Flat M6 Washer - Zn	2	
43	H00116	Hex Head Screw M6-1.0x20 - Zn	2	
44	M00218	Base Hole Cover	1	
45	M097	Knife Wiper	1	
46	MCC23	Thumb Screw	2	
47	M00240	Bottom Cover	1	
48	H00063	Flat Washer, M5, Zinc	1	
49	H00061	Hex Head Screw M5x10, Zinc	1	
50	M00219	Back Foot	2	
51	M00220	Front Foot	2	
52	M91022	Label, Warning	1	
53	M91021	Label, Globe Logo	1	



G10 Chute Components



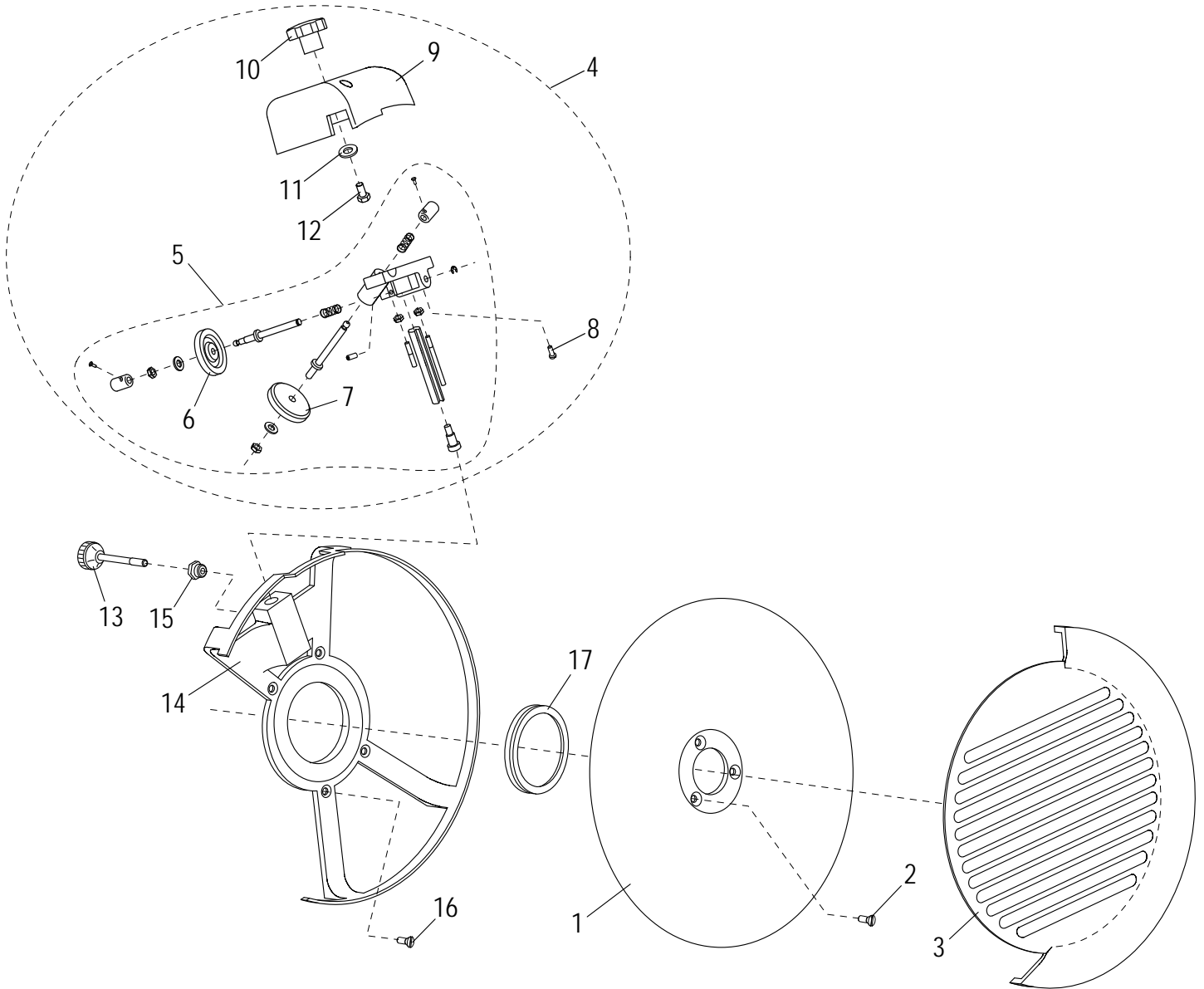


G10 Chute Components

Item	Part Number	Description	Qty	Serial Number
1	M00272	Chute Slide Assembly (Incl. items 2-7)	1	
2		Chute Slide	1	
3	M053	Brass Stud	1	
4	H00192	Hex Nut M8-1.25,13mm Width,4 mm Height-Zn	1	
5	H00014	Flat M6 Washer - Zn	2	
6	MCA29	Bearing	1	
7	H00043	Hex Head Screw M6x25 - Zn	1	
8	M00273	Chute Support Assembly (Incl. items 9-11)	1	
9		Chute Support	1	
10	M067	Chute Support Handle	1	
11	H00156	Screw M6-1.0x12mm, Chute Support Handle	2	
12	M00253	Chute Support Knob	1	
13	M00284	Chute Release Knob	1	
14	M00276	Chute	1	401428 - 402268
14	M01096	Chute	1	402269 ->
15	M01098	End Weight Assembly (Incl. items 16-18)	1	402269 ->
15	MC008	End Weight Assembly (Incl. items 16-18)	1	401428 - 402268
16		End Weight	1	
17	M00257	End Weight Handle	1	
18	M108	End Weight Bumper	1	
19	M00258	End Weight Rod	1	401428 - 402268
19	M01095	End Weight Rod	1	402269 ->



G10 Knife and Sharpener Components



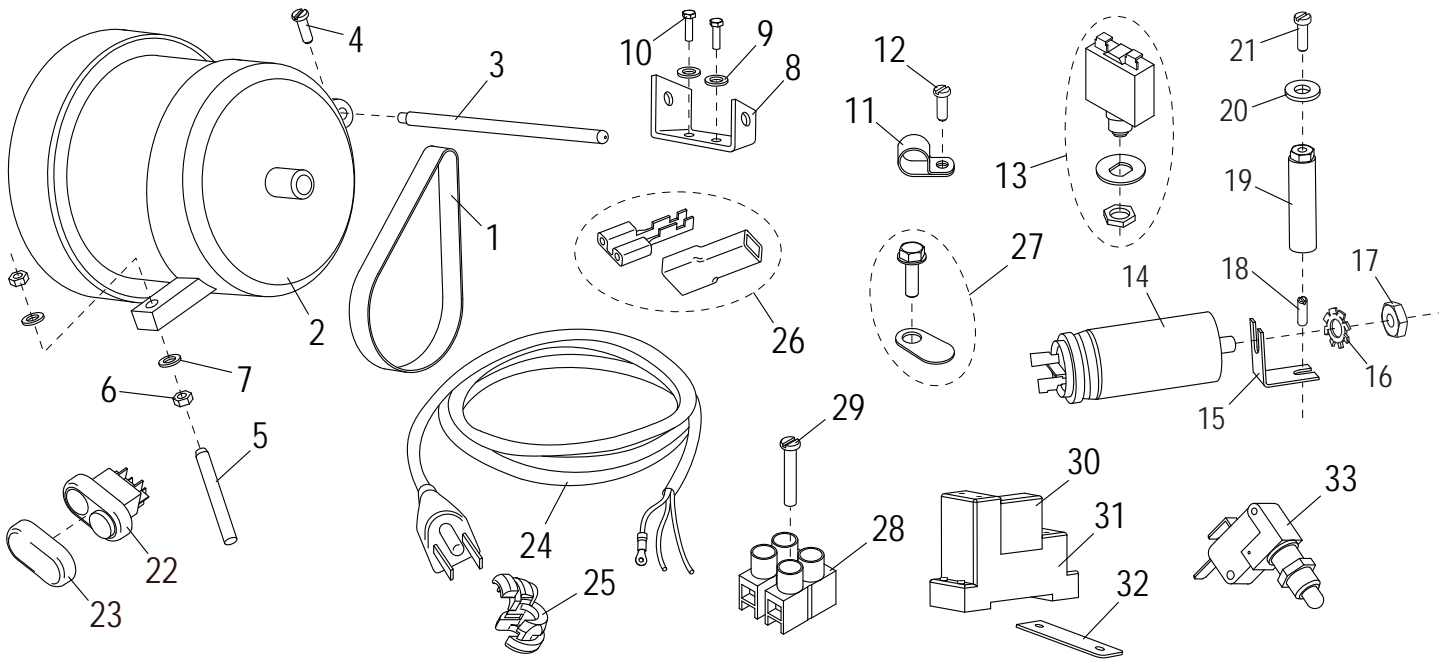


G10 Knife and Sharpener Components

Item	Part Number	Description	Qty	Serial Number
1	MCB13	Knife	1	
2	56-A	Screw, Knife Mounting	3	
3	M00327	Knife Cover	1	
4	M377	Sharpener Assembly with Cover (Incl. items 5-12)	1	
5	MC017	Knife Sharpener Assembly	1	
6	M092	Deburring Stone (Incl. items 6-7)	1	
7	MCC17	Sharpening Stone	1	
8	H00187	Cheese Hd Screw M5-0.8x16 Slotted - Zn	2	
9	M074	Sharpener Cover	1	
10	M075	Sharpener Cover Knob	1	
11	M035	Flat Washer	1	
12	H00197	Hex Hd Screw M6x15 - Zn	1	
13	M096	Release Knob, Sharpener	1	
14	MCRB14/1	Knife Rim Guard	1	
15	M045	Insert, Knife Rim Guard	1	
16	H00435	Screw, Rim Guard	4	
17	MGI77/5	V Ring, Knife Seal VA 80	1	



G10 Electrical Components





G10 Electrical Components

Item	Part Number	Description	Qty	Serial Number
1	MCB51	Drive Belt	1	
2	M00348	Knife Motor	1	
3	M031	Post, Motor Pivot	1	
4	H00189	Cheese Hd Screw M4-0.7x10 Slotted - Zn	1	
5	M033	Set Screw	1	
6	M034	Hex Nut	2	
7	M035	Flat Washer	2	
8	M00355	Motor Mounting Bracket	1	
9	H00063	Flat Washer, M5, Zinc	2	
10	H00354	Motor Mounting Screw	2	
11	M037	Cable Clamp	1	
12	H00061	Hex Head Screw M5x10, Zinc	1	
13	M038	Motor Reset Switch	1	
14	M039	Capacitor, 16 µf	1	
15		Bracket, Capacitor Mounting	1	
16	H00335	Lock M8 Washer	1	
17	H00192	Hex Nut M8-1.25,13mm Width,4 mm Height-Zn	1	
18	H00188	Set Screw, Table Slide Bottom	1	
19	M00359	Standoff, Cover Spacer	1	
20	M035	Flat Washer	1	
21	H00061	Hex Head Screw M5x10, Zinc	1	
22	MCR69	Power Switch	1	
23	MCR59	Power Switch Cover	1	
24	M110	Power Cord & Plug	1	
25	M111	Strain Relief	1	
26	M00233	Female Terminal/Insulator Set	15	
27	M00334	Ground Screw/Marking Tab Set	1	
28	MB80/2	Terminal Block	1	
29	H00203	Terminal Block Mounting Screw	1	
30	MCR75	Relay	1	
31	MCR76	Relay Socket	1	
32	M00360	Relay Mounting Plate	1	
33	M026	Hub Assembly Microswitch	1	



G10 Wiring Diagram

