

Continental



Refrigerator

DISPLAY REFRIGERATORS

Utilizing Environmentally Safe, CFC-free R-134a Refrigerant



1R-GD



2R-GD



3R-GD

Standard Features

- Modern, State-of-the-Art Styling Performance Rated Refrigeration Systems Utilizing Environmentally Safe R-134a Refrigerant
- 3" Non-CFC Polyurethane Foam Insulation
- Cam-Action Lift-Off Hinges
- Self-Closing Doors
- Magnetic Snap-In Door Gasket
- Cylinder Lock in Each Door
- Automatic Electric Condensate Evaporator
- 5" Casters
- Heavy-Duty, Epoxy-Coated Steel Shelves
- External Dial Thermometer
- Double-Pane, Tempered Hinged Glass Doors
- Fluorescent Interior Lighting

Standard (S/S Front, Aluminum End Panels & Interior)
Suffix SA (S/S Exterior, Aluminum Interior)
Suffix SS (S/S Exterior & Interior)

Optional Features & Accessories

- Legs
- Stainless Steel Case Back
- Pan Slide Assemblies
- Increased Refrigeration
- Stainless Steel Shelves
- Digital Thermometer
- Rehinging of Doors
- Half Door
- Remote
- Pass-Thru
- Shallow Depth



c



VALUE LINE

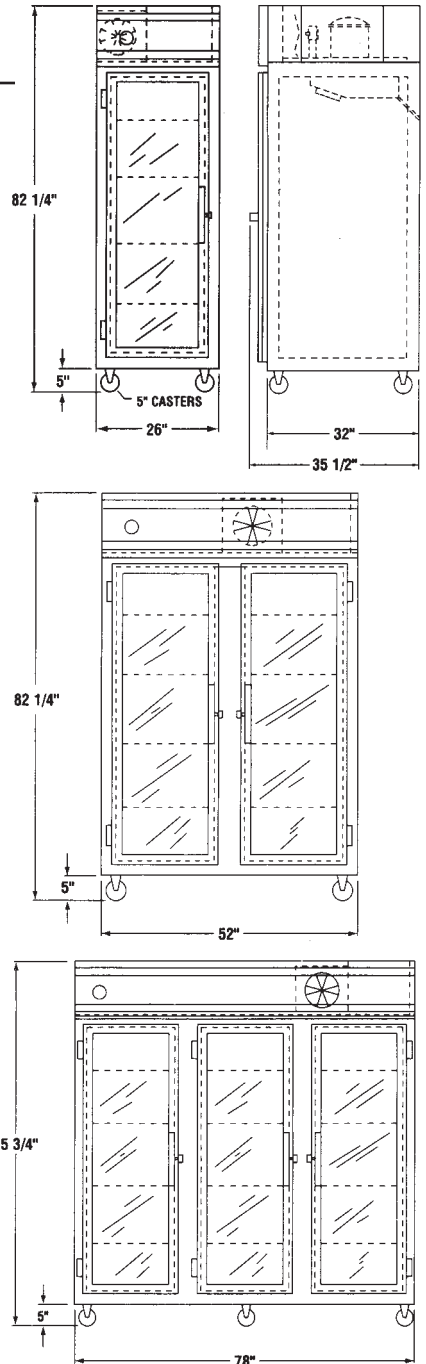
REFRIGERATORS

SPECIFICATIONS	1R-GD		2R-GD		3R-GD	
	One Section		Two Section		Three Section	
	Reach-In	Pass-Thru	Reach-In	Pass-Thru	Reach-In	Pass-Thru
DIMENSIONAL DATA						
Net Capacity (cu. ft.)	20	20	48	48	70	70
Width, Overall (in.)	26	26	52	52	78	78
Depth, Overall (Incl. Hds.) (in.)	35 ¹ / ₂	39	35 ¹ / ₂	39	35 ¹ / ₂	39
Depth (Less Door(s) (in.)	32	32	32	32	32	32
Depth (Door(s) Open 90°) (in.)	55 ¹ / ₂	79	55 ¹ / ₂	79	55 ¹ / ₂	79
Clear Door Width (in.)	19 ³ / ₈	19 ³ / ₈	19 ³ / ₈	19 ³ / ₈	19 ³ / ₈	19 ³ / ₈
Clear Full-Door Height (in.)	58 ⁵ / ₈	58 ⁵ / ₈	58 ⁵ / ₈	58 ⁵ / ₈	58 ⁵ / ₈	58 ⁵ / ₈
Clear Half-Door Height (in.)	27 ¹ / ₂	27 ¹ / ₂	27 ¹ / ₂	27 ¹ / ₂	27 ¹ / ₂	27 ¹ / ₂
Height, Overall (Incl. 5" Casters)	82 ¹ / ₄	82 ¹ / ₄	82 ¹ / ₄	82 ¹ / ₄	85 ³ / ₄	85 ³ / ₄
No. of Full Door(s)	1	2	2	4	3	6
No. of Half Door(s)	2	4	4	8	6	12
No. of Shelves	4	4	8	8	12	12
Shelf Area (sq. ft.)	20.4	20.4	40.8	40.8	61.2	61.2
Tray Slide Capacity (Half)	12 ea.	12 ea.	12 ea.	12 ea.	12 ea.	12 ea.
Tray Slide Capacity (Full)	24 ea.	24 ea.	24 ea.	24 ea.	24 ea.	24 ea.
REFRIGERATION DATA						
Condensing Unit Size (H.P.)	¹ / ₃	¹ / ₃	¹ / ₂	¹ / ₂	³ / ₄	³ / ₄
Capacity (BTU/Hr)*	2560	2560	4010	4010	5930	5930
ELECTRICAL DATA						
Cabinet Specifications	115/60/1	115/60/1	115/60/1	115/60/1	115/208-230/60/1	115/208-230/60/1
Feed Wires (Incl. Ground)	3	3	3	3	4	4
Condensing Unit Specs.	115/60/1	115/60/1	115/60/1	115/60/1	208-230/60/1	208-230/60/1
Total Amperes	10.7	11.0	13.6	16.0	12.4	15.9
Cabinet Amperes	3.5	3.8	4.1	6.5	5.4	8.9
Defrost Amperes	-	-	-	-	-	-
Power Supply Cord	yes	yes	yes	yes	no	no
SHIPPING DATA						
Height – crated (in.)	85 ¹ / ₂	85 ¹ / ₂	85 ¹ / ₂	85 ¹ / ₂	85 ¹ / ₂	85 ¹ / ₂
Width – crated (in.)	31 ⁵ / ₈	31 ⁵ / ₈	64	64	90	90
Depth – crated (in.)	42	42	42	42	42	42
Volume – crated (cu.ft.)	65	65	133	133	187	187
Weight Std – crated (lbs.)	315	360	530	610	740	855
Weight SS – crated (lbs.)	375	420	610	680	855	970
Weight Std – uncrated (lbs.)	215	250	360	430	530	635
Weight SS – uncrated (lbs.)	275	310	440	510	645	750

* Rating @ +25°F Evaporator, 90° Ambient

Note: All specifications subject to change without notice.

Note: If the cabinet is located directly against wall and/or under low ceiling, a minimum clearance of 2" is required.



Continental

Refrigerator

A Division of National Refrigeration & A/C Products, Inc.
 539 Dunksferry Road Bensalem, PA 19020
 (800) 523-7138 Fax: (215) 244-9579
 www.continentalrefrigerator.com