

DP-6700 Standard Series Bench/Receiving Scales

- IP65 washdown
- Stainless-steel construction
- Pound, ounce, kilogram, pound-ounce
- Programmable auto-off
- Checkweighing, grading, packing, counting, and basic weighing

Large, easy-to-read LCD display characters

Color LED under/accept/over annunciator

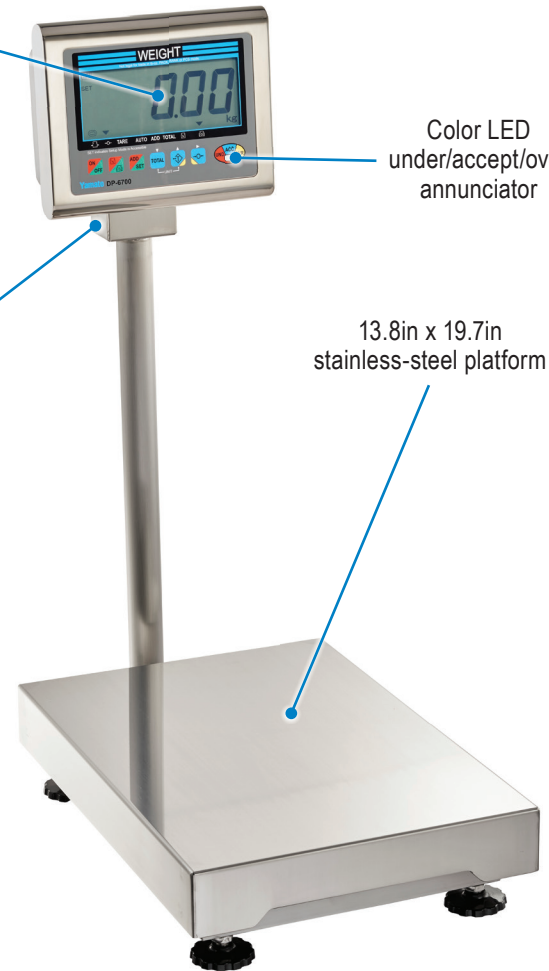
90° tilting bracket

13.8in x 19.7in stainless-steel platform



MODEL	DP-6700-60	DP-6700-150	DP-6700-300
Capacity	60lb x 0.02lb 960oz x 0.5oz 30kg x 0.01kg 60lb x 0.5oz*	150lb x 0.05lb 2400oz x 1oz 60kg x 0.02kg 150lb x 1oz*	300lb x 0.1lb 4800oz x 2oz 150kg x 0.05kg 300lb x 2oz*
Weighing System	Strain gauge load cell		
Certificate of Conformance	11-007A1 (US); AM-5816 (Canada)		
Platform	13.8in x 19.7in (350mm x 500mm) stainless steel		
Display	5-digit, 7-segment LCD plus annunciators		
Character Size	1.8in x 0.9in (45mm x 23mm)		
Power	"D" size batteries (qty. 4) or AC adapter (included)		
Battery Life	1400 hours of continuous use		
Housing Material	Stainless Steel		
Operating Temperatures	14°F ~ 104°F (-10°C ~ 40°C)		
Functions	Basic weighing, checkweighing, grading, packing, counting, tare		

*Combined units, such as pound-ounce, are not legal for trade.



Dimensions

