

# WARING COMMERCIAL®

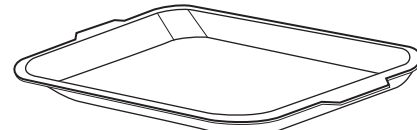
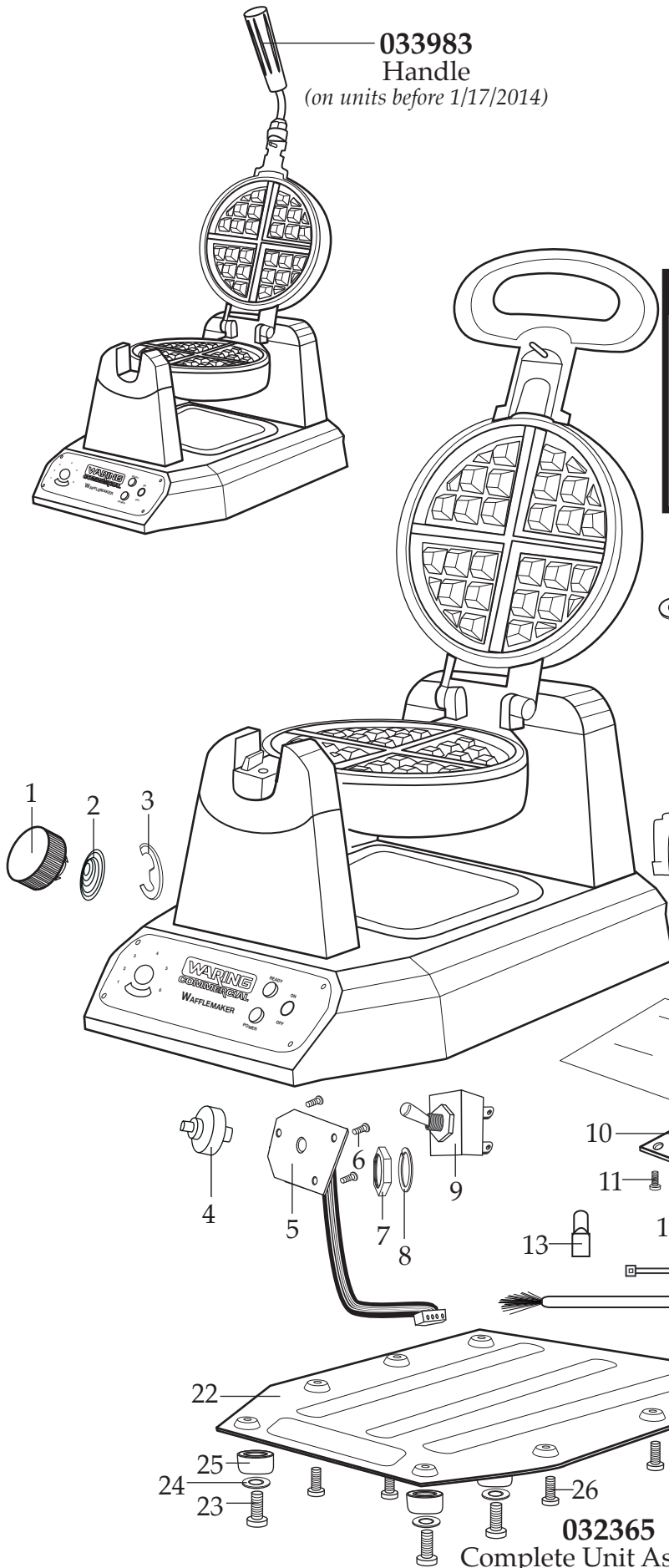
Heavy-Duty Belgian Waffle Maker

## WW180

### Unit Information

10 Amps. - 1200 Watts - NEMA 5-15P  
 Up to 35 (1" thick) Belgian Waffles Per Hour  
 Triple-coated Nonstick Plates  
 Beep Signals When Unit Is Ready & Waffle Is Cooked  
 Thermal Protection - If power is lost during operation,  
 unplug and let cool 10 minutes. Plug in and continue use.

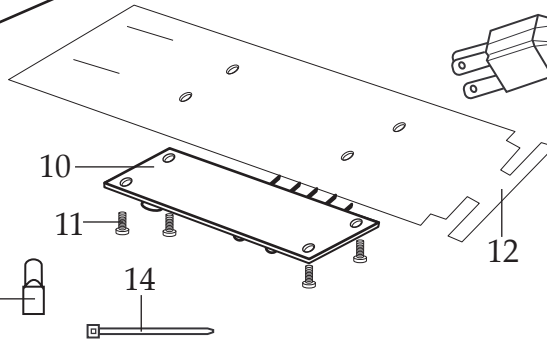
**033983**  
 Handle  
 (on units before 1/17/2014)




**032350**  
 Drip Pan



**032364**  
 Cup



**032365**  
 Complete Unit Assembly  
 (current handle configuration)

| Illustration # | Part #           | Description  |
|----------------|------------------|--|
| 1              | 032352           | Browning Control Knob  |
| 2              | 034938           | Spring Coil  |
| 3              | 032362           | E Ring   |
| 4              | 034161<br>034162 | Connector Pole<br>Connector Pole <i>(on units before 3/3/2011)</i>  |
| 5              | 035316<br>032358 | Darkness Control Panel (with short lead tape)<br>Darkness Control Panel (with long lead tape)  |
| 6              | 032359           | Screw (3 required)   |
| 7              | 016236           | Hex Nut  |
| 8              | 032356           | Washer   |
| 9              | 032368           | On/Off Toggle Switch   |
| 10             | 030635           | PCB Board  |
| 11             | 032359           | Screw (4 required)   |
| 12             | 030638           | PCB Board Shield   |
| 13             | 019123<br>012409 | Large Crimp Connector<br>Small Crimp Connector (3 required)  |
| 14             | 013731           | Wire Tie (5 required)  |
| 15             | 032371           | Cord Plate   |
| 16             | 032363           | Cord Set   |
| 17             | 032361           | Strain Relief  |
| 18             | 032360           | Ground Spring Washer (2 required for each ground screw)  |
| 19             | 035298           | Ground Screw (2 required)  |
| 20             | 032367           | 17" Red Lead   |
| 21             | 035306           | 4" White Lead  |
| 22             | 032351           | Bottom Plate   |
| 23             | 032355           | Foot Screw (4 required)  |
| 24             | 032354           | Foot Washer (4 required)   |
| 25             | 032353           | Foot (4 required)  |
| 26             | 032750           | Screw (4 required)   |