

# WARING COMMERCIAL

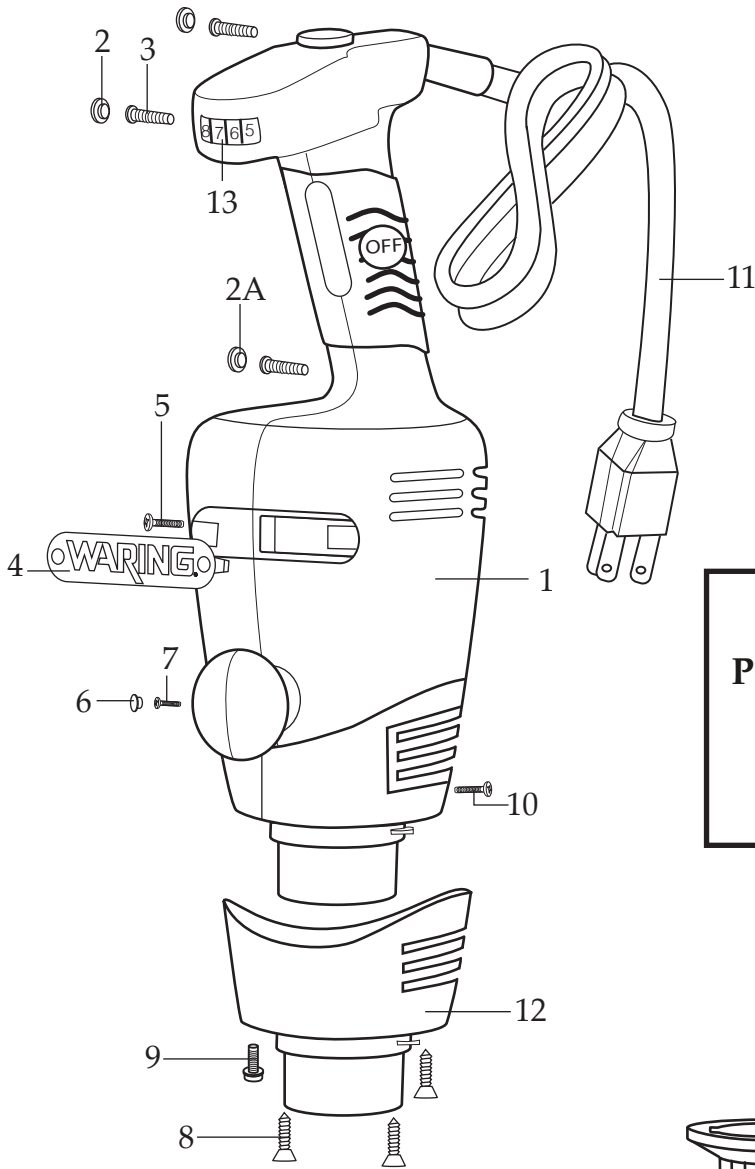
**WSB50** 12" Immersion Blender

**WSB55** 14" Immersion Blender

**WSB60** 16" Immersion Blender

**WSB65** 18" Immersion Blender

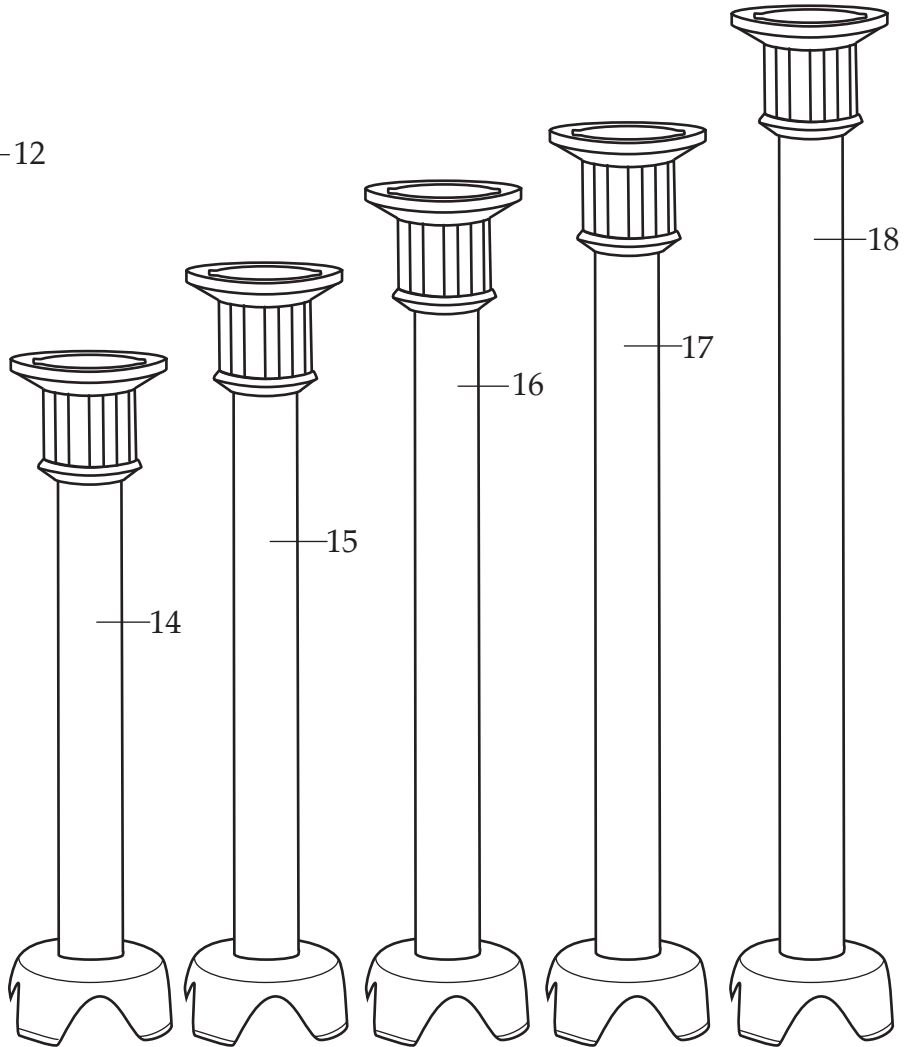
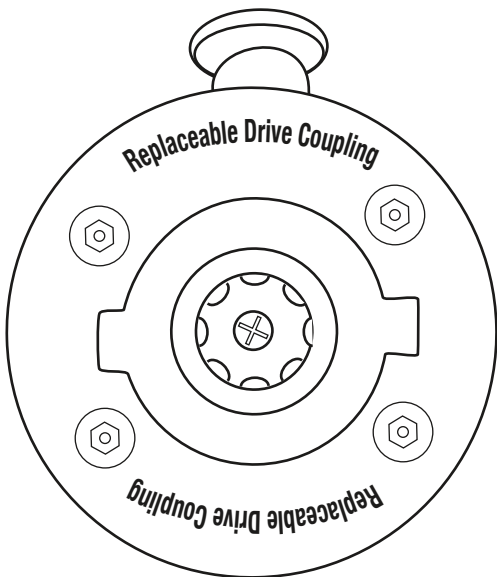
**WSB70** 21" Immersion Blender



**503357 Kit** *Parts Included*

**Power Pack Coupling Tool**

**Shaft Coupling Tool**



To use the 503357 kit the bottom of your Power Pack must look like this.

**Catalog**

WSB50  
WSB55  
WSB60  
WSB65  
WSB70

**Model**

WSB  
WSB  
WSB  
WSB  
WSB

Waring Factory Service Center  
 314 Ella T. Grasso Ave.  
 Torrington, CT 06790  
 Tele. 1-800-269-6640  
 Fax 860-496-9017  
 www.waringcommercialproducts.com

Illustration #	Part #	Description
1	502955	WSB Power Pack
2	029839	Hole Plug (2 required)
2A	029905	Hole Plug
3	029840	Screw (3 required)
4	029841	Nameplate Panel
5	029842	Screw
6	029843	Hole Plug
7	029844	Screw
8	029845	Screw (3 required)
9	029846	Screw
10	029844	Screw
11	030442	Cord Set
12	030440	Housing Cover
13	032650	Speed Control Knob
14	502956	12" Shaft Assembly with Blade
15	502957	14" Shaft Assembly with Blade
16	502958	16" Shaft Assembly with Blade
17	503002	18" Shaft Assembly with Blade
18	503003	21" Shaft Assembly with Blade

**Internal Components**

