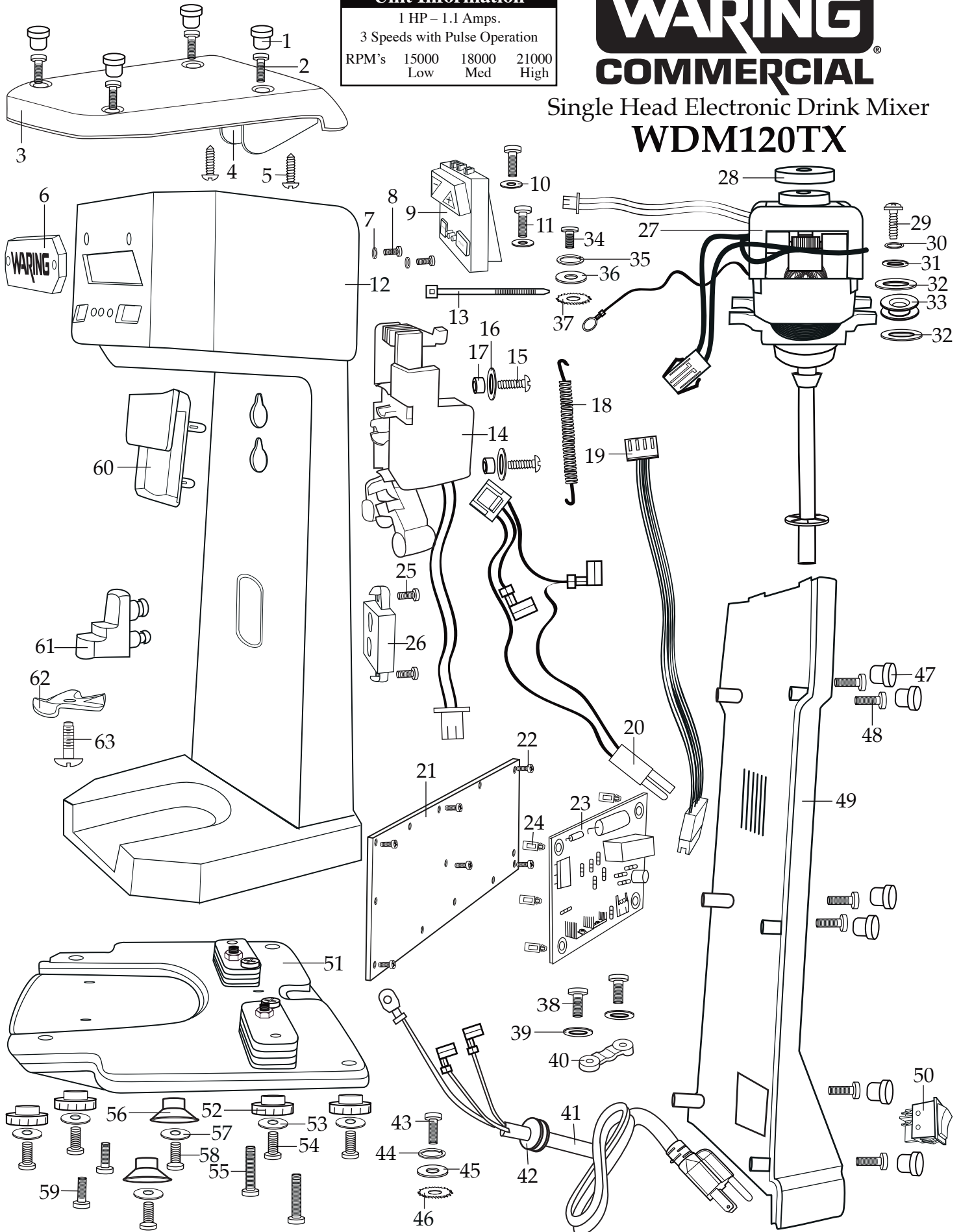


Unit Information

1 HP – 1.1 Amps.
3 Speeds with Pulse Operation
RPM's 15000 18000 21000
Low Med High

WARING COMMERCIAL

Single Head Electronic Drink Mixer WDM120TX



Catalog/Model

WDM120TX



Illustration#	Part#	Description
1	037532	Hole Plugs (4 required)
2	033901	Screw (4 required)
3	037533 037534	Top Cover Top Cover with Air Guards
4	037126	Top Cover Air Guards
5	033886	Screw (2 required)
6	030689	Name Plate
7	030690	Washer (2 required)
8	030691	Screw (2 required)
9	037535	Control Panel
10	037536	Fiber Washer (2 required)
11	030706	Screw (2 required)
12	037537	Housing
13	013791	Wire Tie (4 required)
14	037538	Actuator Switch
15	033901	Screw (2 required)
16	030696	Washer (2 required)
17	030703	Sleeve (2 required)
18	037539	Spring
19	037540	Lead Tape
20	037541	Lead Harness
21	037542	Power Board Holder
22	037543	Screw (6 required)
23	037544	Power Board
24	033881	Press Lock Stand Offs (4 required)
25	037545	Cup Support Locking Assembly
26	037546	Screw (2 required)
27	037547	Motor
28	030694	Top Motor Mount
29	037548	Screw (sems 2 required)

Catalog/Model

WDM120TX

Waring
Waring Factory Service Center
314 Ella T. Grasso Ave.
Torrington, CT 06790
Tele. 1-800-269-6640

COMMERCIAL
Fax 860-496-9017
www.waringcommercialproducts.com

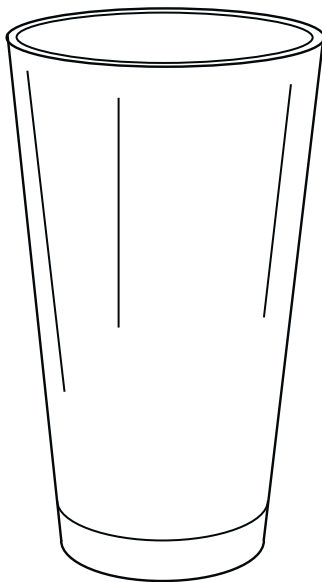
Illustration#	Part#	Description
30	030714	Spring Washer (2 required)
31	030696	Washer (2 required)
32	033697	Large Washer (2 required)
33	030697	Side Motor Mounts (2 required)
34	030706	Motor Ground Screw
35	030714	Spring Washer
36	037549	Washer
37	030707	Lock Washer
38	037550	Cord Clamp Screw (2 required)
39	030696	Washer (2 required)
40	033666	Cord Clamp
41	037551	Cord
42	031984	Strain Relief
43	033901	Cord Ground Screw
44	030714	Spring Washer
45	037549	Washer
46	030707	Lock Washer
47	037532	Hole Plug (6 required)
48	033901	Screw (6 required)
49	037552	Back Plate
50	037553	Rocker On/Off Switch
51	037554	Bottom Plate with Weights
52	036046	Feet (4 required)
53	030696	Washer (4 required)
54	030706	Screw (4 required)
55	037133	1.5" Screw (2 required)
56	030719	Suction Cup Feet (2 required)
57	030696	Washer (2 required)
58	030706	Screw (2 required)
59	033901	Screw (2 required)

Catalog/Model

WDM120TX

Waring
Factory Service Center
314 Ella T. Grasso Ave.
Torrington, CT 06790
Tele. 1-800-269-6640
Fax 860-496-9017
www.waringcommercialproducts.com

Illustration#	Part#	Description
60	037555	Cup Actuator
61	037556	Cup Support
62	030716	Solid Disk
63	029291	Screw



030883
Container

