


Unit Information

WFG250, WPG250 1800 Watts - 120 volt  NEMA 5-15

WPG250B 2400 Watts - 208 volt  NEMA 6-20

WFG250C, WPG250C 1800 Watts - 120 volt  NEMA 5-20

Grill takes about 10 minutes to warm up.

The WPB250B will heat-up and recover 32% faster than the WPG250

14.5" x 11" Cooking Surface

Flat, Ribbed or Flat & Ribbed Cast Iron Plates

WARING COMMERCIAL®

Panini Supremo® / Tostato Supremo®
Large Italian-Style Panini Grills

Ribbed Top & Flat Bottom

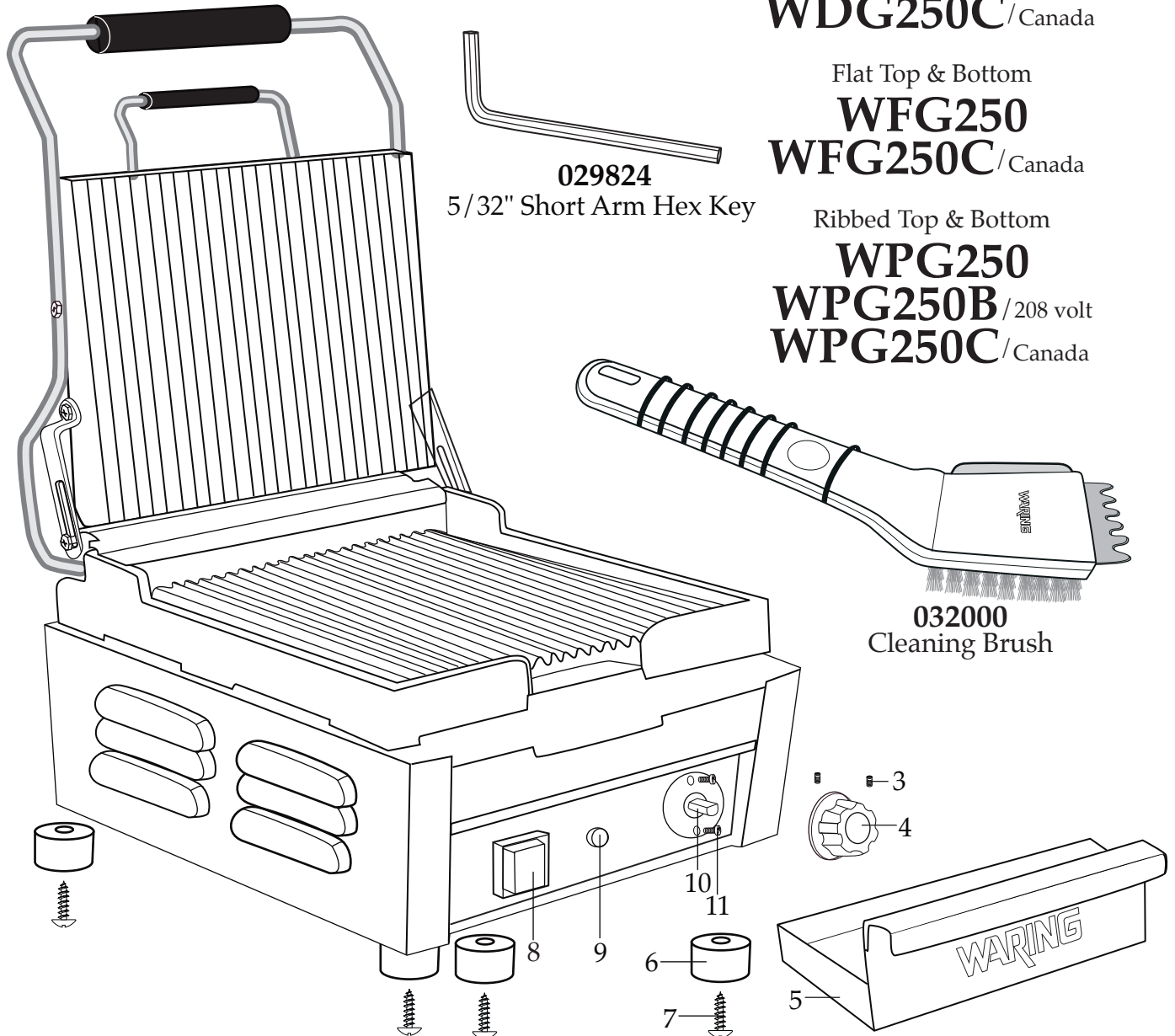
WDG250
WDG250C / Canada

Flat Top & Bottom

WFG250
WFG250C / Canada

Ribbed Top & Bottom

WPG250
WPG250B / 208 volt
WPG250C / Canada



503184 WDG250 Base Unit Assembly

503185 WDG250C Base Unit Assembly

503133 WFG250 Base Unit Assembly

503304 WFG250C Base Unit Assembly

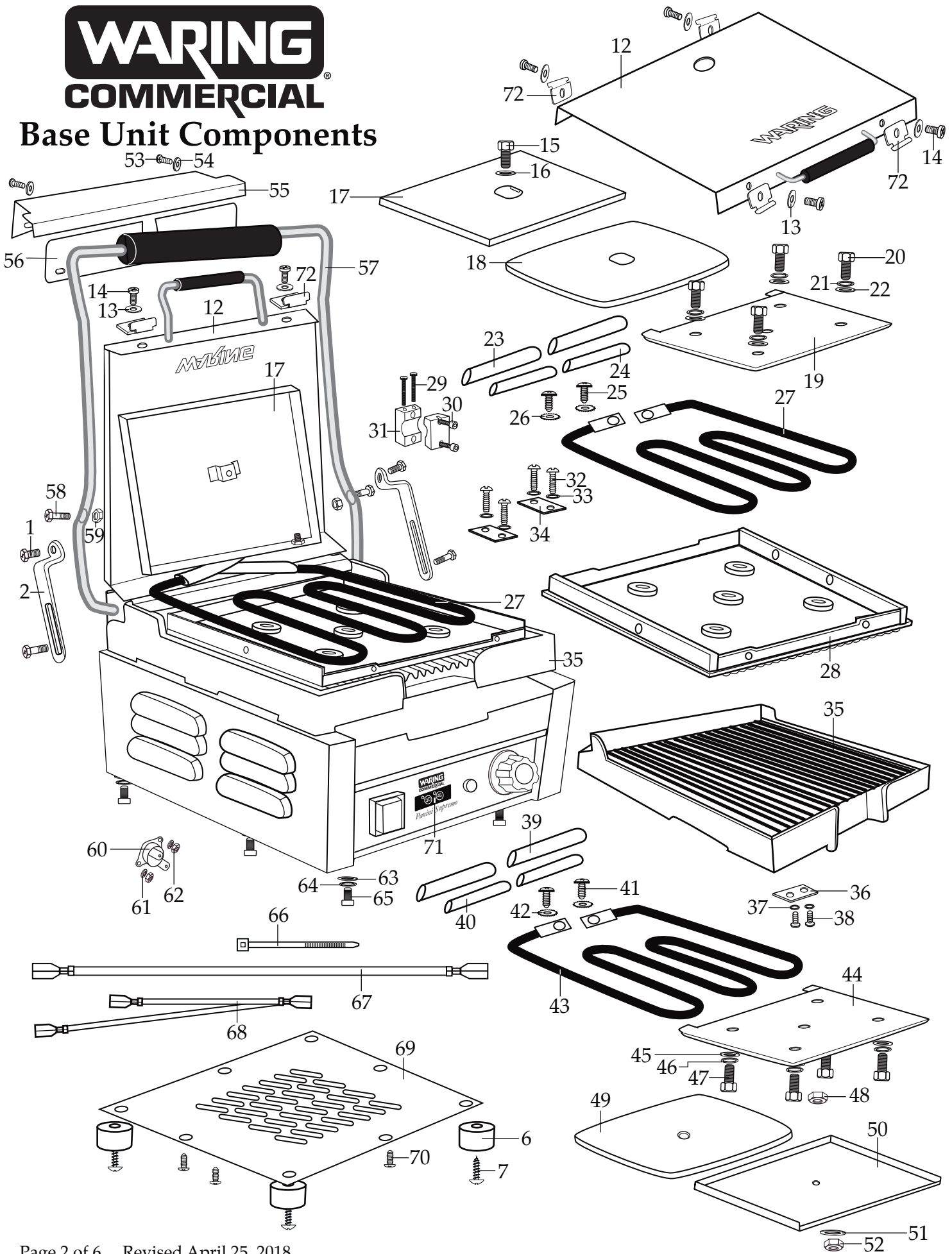
503134 WPG250 Base Unit Assembly

503245 WPG250B Base Unit Assembly

503305 WPG250C Base Unit Assembly

WARING COMMERCIAL®

Base Unit Components



Catalog/Model

WDG250
WDG250C
WFG250
WFG250C
WPG250
WPG250B
WPG250C



| Illustration # | Part # | Description |
|----------------|------------------|---|
| 1 | 028625 | Pivot Bracket Screw Set (1 large & 1 small 2 sets required) |
| 2 | 028624 | Pivot Bracket (2 required) |
| 3 | 028627 | Set Screw (2 required) |
| 4 | 028626 | Control Knob |
| 5 | 029503 | Drip Tray |
| 6 | 028622 | Foot (4 required) |
| 7 | 028623 | Foot Screw (4 required) |
| 8 | 029477 029478 | On-Off Switch WPG250B On-Off Switch |
| 9 | 029941 030018 | Indicator Light WPG250B Indicator Light |
| 10 | 029942 030013 | Thermostat Thermostat for WPG250B |
| 11 | 029943 | Thermostat Screw (2 required) |
| 12 | 029945 | Cover |
| 13 | 029946 | Washer (4 required) |
| 14 | 035012 | Screw (4 required) |
| 15 | 029950 | Hex Head Bolt |
| 16 | 029951 | Washer |
| 17 | 029953 | Top Insulation Plate |
| 18 | 029949 | Top Insulation |
| 19 | 029955 | Top Element Plate |
| 20 | 029962 | Hex Head Bolt (4 required) |
| 21 | 029963 | Spring Washer (4 required) |
| 22 | 029964 | Washer (4 required) |
| 23 | 029956 | Fiber Sleeve (2 required) |
| 24 | 029957 | Plastic Sleeve (2 required) |
| 25 | 029958 | Screw (2 required) |
| 26 | 029959 | Washer (2 required) |
| 27 | 029961 030020 | 6 Amps Top Element WPG250B Top Element |

Catalog/Model

WDG250
WDG250C WPG250
 WPG250B
WFG250 WPG250C
WFG250C



| Illustration # | Part # | Description |
|----------------|--------------------------------------|--|
| 28 | 029967 029968 | Ribbed Top Grill Plate Flat Top Grill Plate |
| 29 | 036549 030054 | Screw (2 required <i>on units after 10/18/2017</i>) Screw |
| 30 | 036550 030055 | Tension Bolts (2 required <i>on units after 10/18/2017</i>) Tension Screw |
| 31 | 036548 030056 | 2 Piece Tension Bracket (<i>on units after 10/18/2017</i>) Tension Bracket |
| 32 | 029992 | Screw (4 required) |
| 33 | 029993 | Spring Washer (4 required) |
| 34 | 029995 | Large Handle Bracket (2 required) |
| 35 | 036554 029971 036553 029972 | Ribbed Bottom Grill Plate (<i>on units after 10/18/2017</i>) Ribbed Bottom Grill Plate Flat Bottom Grill Plate (<i>on units after 10/18/2017</i>) Flat Bottom Grill Plate |
| 36 | 029973 | Thermostat Bracket |
| 37 | 029974 | Washer (2 required) |
| 38 | 029975 | Screw (2 required) |
| 39 | 029956 | Fiber Sleeve (2 required) |
| 40 | 029957 | Plastic Sleeve (2 required) |
| 41 | 029958 | Screw (2 required) |
| 42 | 029959 | Washer (2 required) |
| 43 | 029977 030021 | 8 Amps Bottom Element WPG250B Bottom Element |
| 44 | 029979 | Bottom Element Plate |
| 45 | 029964 | Washer (4 required) |
| 46 | 029963 | Spring Washer (4 required) |
| 47 | 029962 | Hex Head Bolt (4 required) |
| 48 | 029980 | Nut |
| 49 | 029982 | Bottom Insulation |
| 50 | 029984 | Bottom Insulation Plate |
| 51 | 029951 | Washer |
| 52 | 029980 | Nut |

Catalog/Model

WDG250 WPG250
 WDG250C WPG250B
 WFG250 WPG250C
 WFG250C



| Illustration # | Part # | Description |
|----------------|------------------|---|
| 53 | 029985 | Screw (2 required) |
| 54 | 029986 | Washer (2 required) |
| 55 | 036551 030007 | Rear Cover with Tension Cover <i>(on units after 10/18/2017)</i> Rear Cover with Tension Cover |
| 56 | 036552 030008 | Rear Cover Plate with Tension Hole <i>(on units after 10/18/2017)</i> Rear Cover Plate with Tension Hole |
| 57 | 036547 030009 | Large Handle <i>(on units after 10/18/2017)</i> Large Handle |
| 58 | 029990 | Hex Head Screw (2 required) |
| 59 | 029991 | Nut (2 required) |
| 60 | 029996 030014 | Thermal Cut-off WPG250B Thermal Cut-off |
| 61 | 029997 | Washer (2 required) |
| 62 | 029998 | Nut (2 required) |
| 63 | 029999 | Washer (4 required) |
| 64 | 030000 | Spring Washer (4 required) |
| 65 | 030001 | Bolt (4 required) |
| 66 | 013731 | Wire Tie (7 required) |
| 67 | 030003 | 17" Red Lead |
| 68 | 030004 | Joined Red & White Lead |
| 69 | 030002 | Bottom Housing Plate |
| 70 | 030006 | Screw (4 required) |

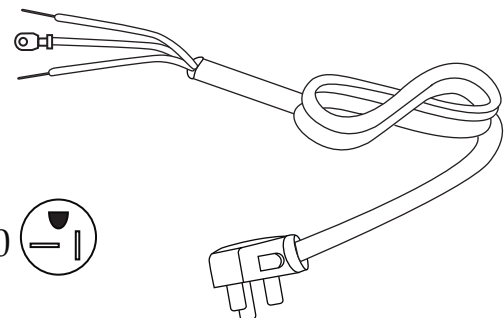
033681 - Cord 120 volt NEMA 5-15



033682 - Cord 208 Volt NEMA 6-20



033683 - Cord Canadian Unit NEMA 5-20



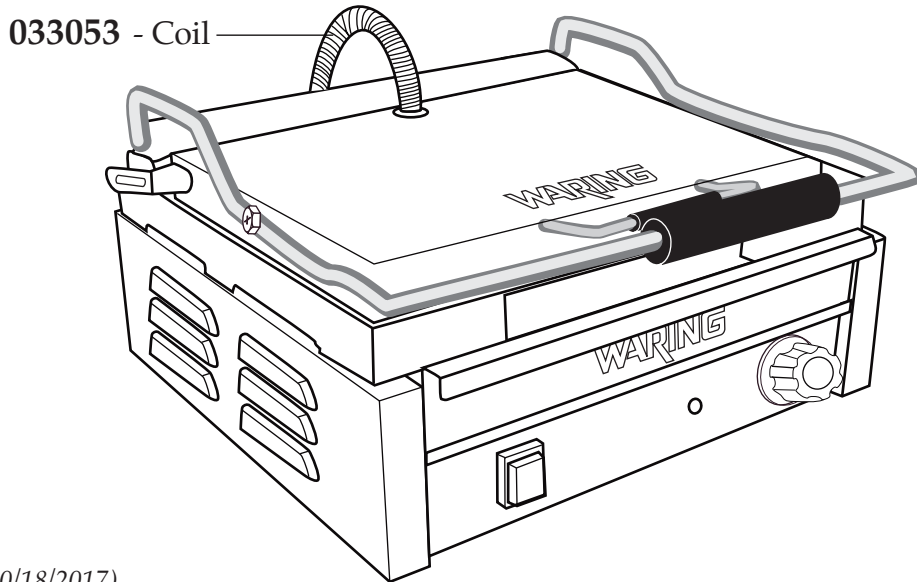
*** Certified replacement of the cord set can only be performed by an Authorized Service Center or the Waring Factory Service Center.**

Catalog/Model

WDG250 WPG250
WDG250C WPG250B
WFG250 WPG250C
WFG250C

Waring Factory Service Center
314 Ella T. Grasso Ave.
Torrington, CT 06790
Tele. 1-800-269-6640

Fax 860-496-9017
www.waringcommercialproducts.com



(on units after 10/18/2017)

