



WCW20



Double Burner Coffee Warmer



Cafe DECO Double Burner Coffee Warmer



MAIN FEATURES

- Keeps coffee fresh and hot
- Two individually controlled warmers
- Self regulating warmers prevent overheating – Saves energy compared to continuous heat models
- Low profile, simple design
- Stainless steel construction
- Non-skid feet
- Perfect for restaurants, cafes and diners
- Two-Year Parts and One Year Labor Warranty

The Waring Coffee Warmers are best used in conjunction with Waring Commercial Coffee Makers, to ensure you always have hot and fresh coffee!



WCM50



WCM50P

Decanters not included with coffeemakers or warmer.

ELECTRICAL

Voltage: 120

Frequency: 60Hz

Watts: 140

Amps: .86

Plug Type: NEMA 5-15P ⓘ

Cord Length: 3 feet



SALES FEATURES

Perfect for restaurants, cafes, diners, and catered events, the Waring Commercial® Double Burner Coffee Warmer ensures there's always plenty of piping hot, fresh coffee on hand. Durable yet lightweight, with wipe-clean stainless steel construction and two individually controlled warmers, it offers portable convenience and fits easily on any countertop. Just press the toggle switches on to keep coffee at the optimal temperature. Use one burner or both at the same time. Non-skid feet keep the unit in place to prevent spills.



@waringcommercial

©2020 Waring Commercial
 314 Ella T. Grasso Avenue, Torrington, CT 06790
 Tel. 800-492-7464 • Fax 860-496-9008

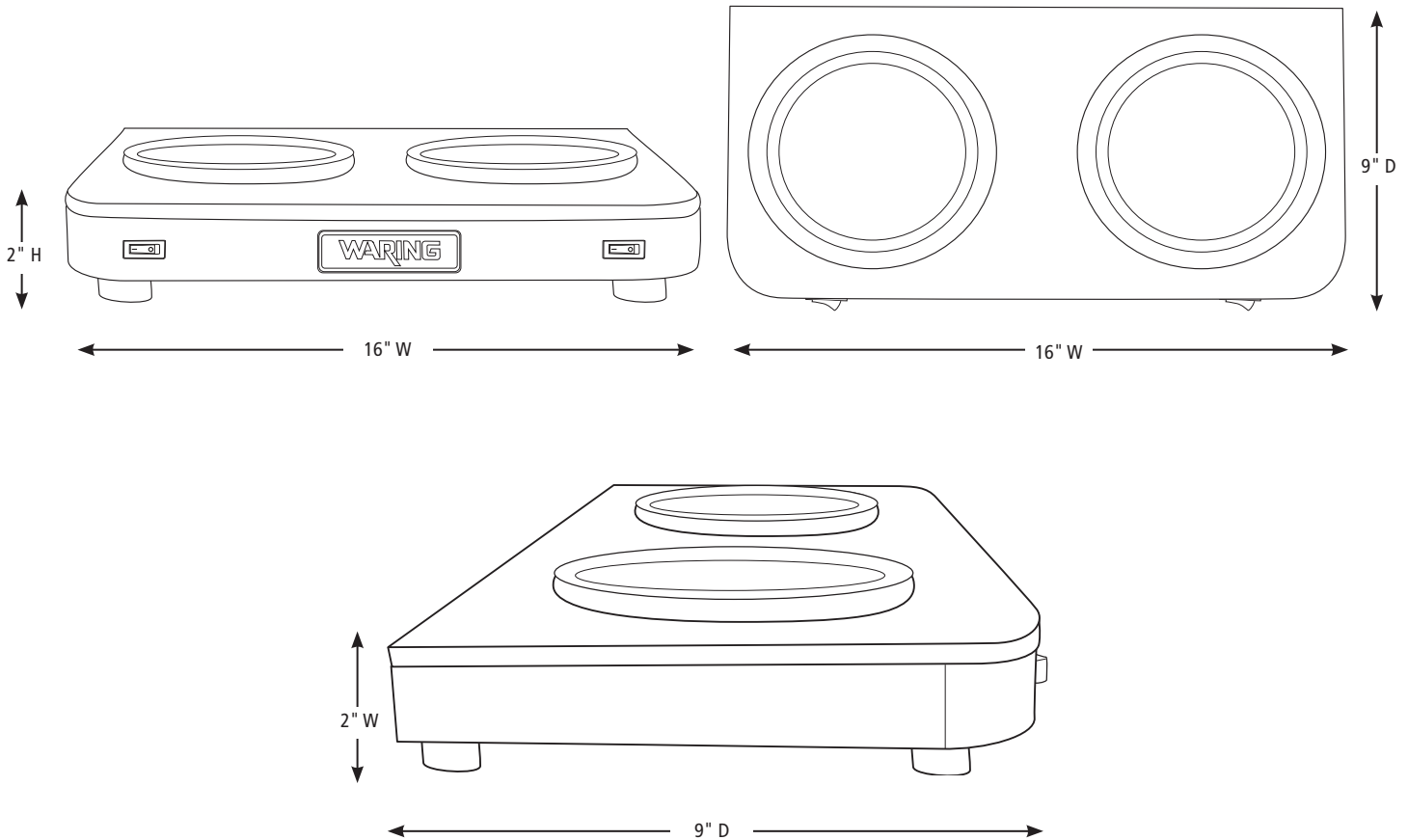
waringcommercialproducts.com

WCW20



Cafe **DECO** Double Burner Coffee Warmer
WCW20

DIMENSIONS



Out of Box Weight: 3.5 lb.

| ORDERING INFORMATION | #STD. PKG. | GIFTBOX WEIGHT | CUBIC FEET | BOX DIMENSIONS D X W X H | UPC | CASE PKG. | MC WEIGHT | MC DIMENSIONS D X W X H | MBC |
|-------------------------------------|------------|----------------|------------|----------------------------|--------------|-----------|-----------|-------------------------|-----------------|
| WCW20 – Double Burner Coffee Warmer | 1 | 4.2 | .471 | 10.875" x 18.125" x 4.125" | 040072090684 | 8 | 33.6 | 22" x 18.75" x 17.75" | 100400720906871 |



@waringcommercial

©2020 Waring Commercial
314 Ella T. Grasso Avenue, Torrington, CT 06790
Tel. 800-492-7464 • Fax 860-496-9008

waringcommercialproducts.com

20WC072172 / REV 6/20