



WCW20R



Step Up, Double Coffee Warmer



Cafe DECO Step Up, Double Coffee Warmer



MAIN FEATURES

- Keeps coffee fresh and hot
- Two individually controlled warmers
- Self-regulating warmers to prevent overheating
- Step-up design for narrow spaces
- Stainless steel construction
- Non-skid feet
- Perfect for restaurants, cafes and diners
- Two-Year Parts and One Year Labor Warranty

The Waring Coffee Warmers are best used in conjunction with Waring Commercial Coffee Makers, to ensure you always have hot and fresh coffee!



WCM50



WCM50P

Decanters not included with coffeemakers or warmer.

ELECTRICAL

Voltage: 120

Frequency: 60Hz

Watts: 140

Amps: .86

lug Type: NEMA 5-15P

Cord Length: 3 feet



SALES FEATURES

Perfect for restaurants, cafes, diners, and catered events, the Waring Commercial® Step Up, Double Burner Coffee Warmer ensures there's always plenty of piping hot, fresh coffee on hand. Durable yet lightweight, with wipe-clean stainless steel construction and two individually controlled warmers, it fits easily on any countertop. Just press the toggle switches on to keep coffee at the optimal temperature. Use one burner or both at the same time. The step-up style is ideal for narrow spaces, and with one pot higher than the other, a quick cup of coffee is always easily within reach.



@waringcommercial

©2020 Waring Commercial
314 Ella T. Grasso Avenue, Torrington, CT 06790
Tel. 800-492-7464 • Fax 860-496-9008

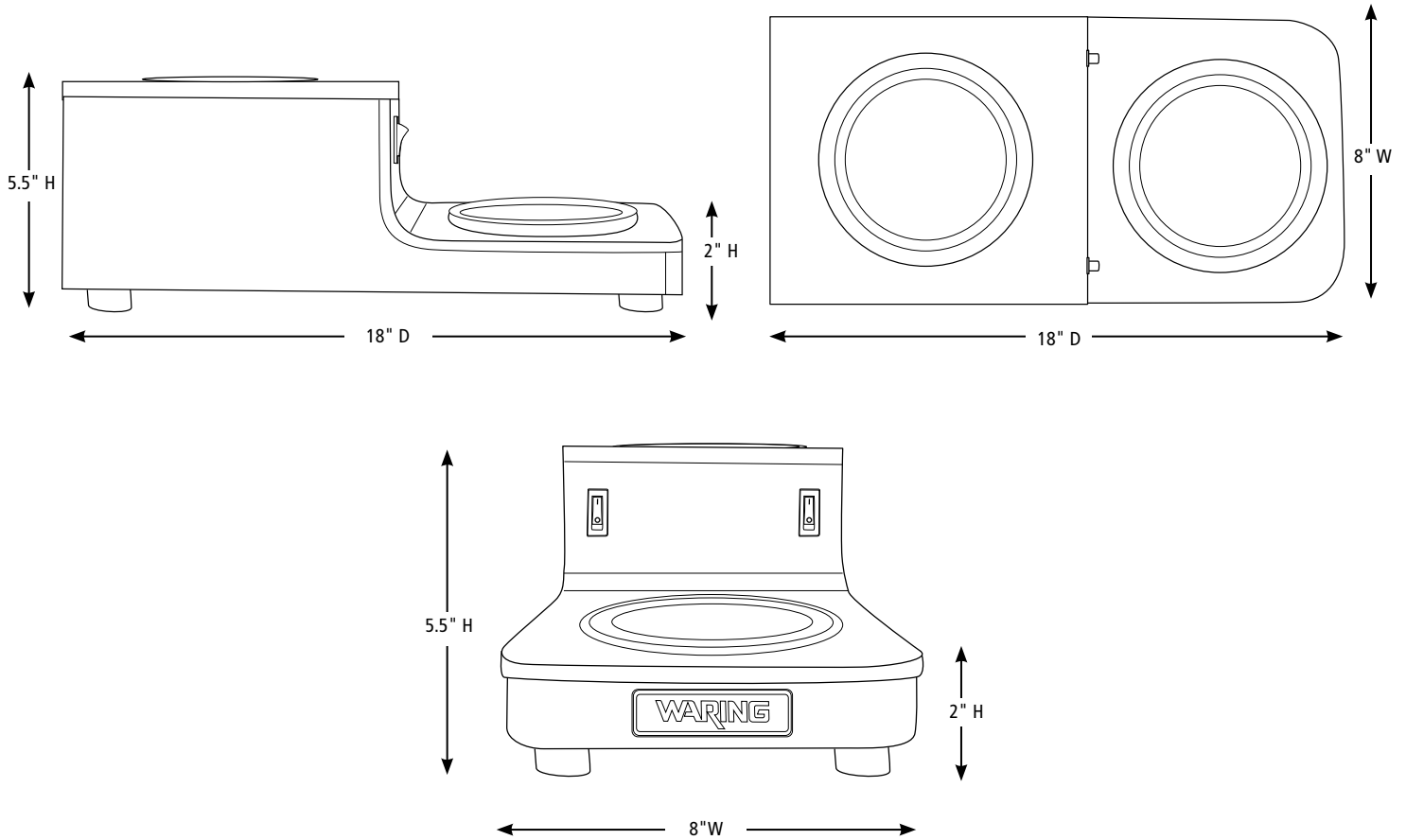
waringcommercialproducts.com

WCW20R



Café DECO™ Step Up, Double Coffee Warmer WCW20R

DIMENSIONS



Out of Box Weight: 4 lb.

ORDERING INFORMATION	#STD. PKG.	GIFTBOX WEIGHT	CUBIC FEET	BOX DIMENSIONS D X W X H	UPC	CASE PKG.	MC WEIGHT	MC DIMENSIONS D X W X H	MBC
WCW20R – Step Up, Double Coffee Warmer	1	5.3	.950	10" x 20.2" x 8.125"	040072090691	4	21.2	21" x 20.5" x 17.375"	10040072090698



@waringcommercial

©2020 Waring Commercial
314 Ella T. Grasso Avenue, Torrington, CT 06790
Tel. 800-492-7464 • Fax 860-496-9008

waringcommercialproducts.com

20WC072173 / REV 3/20