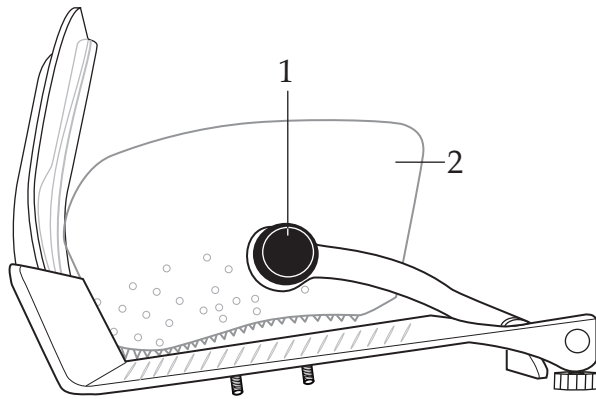


WARING
COMMERCIAL

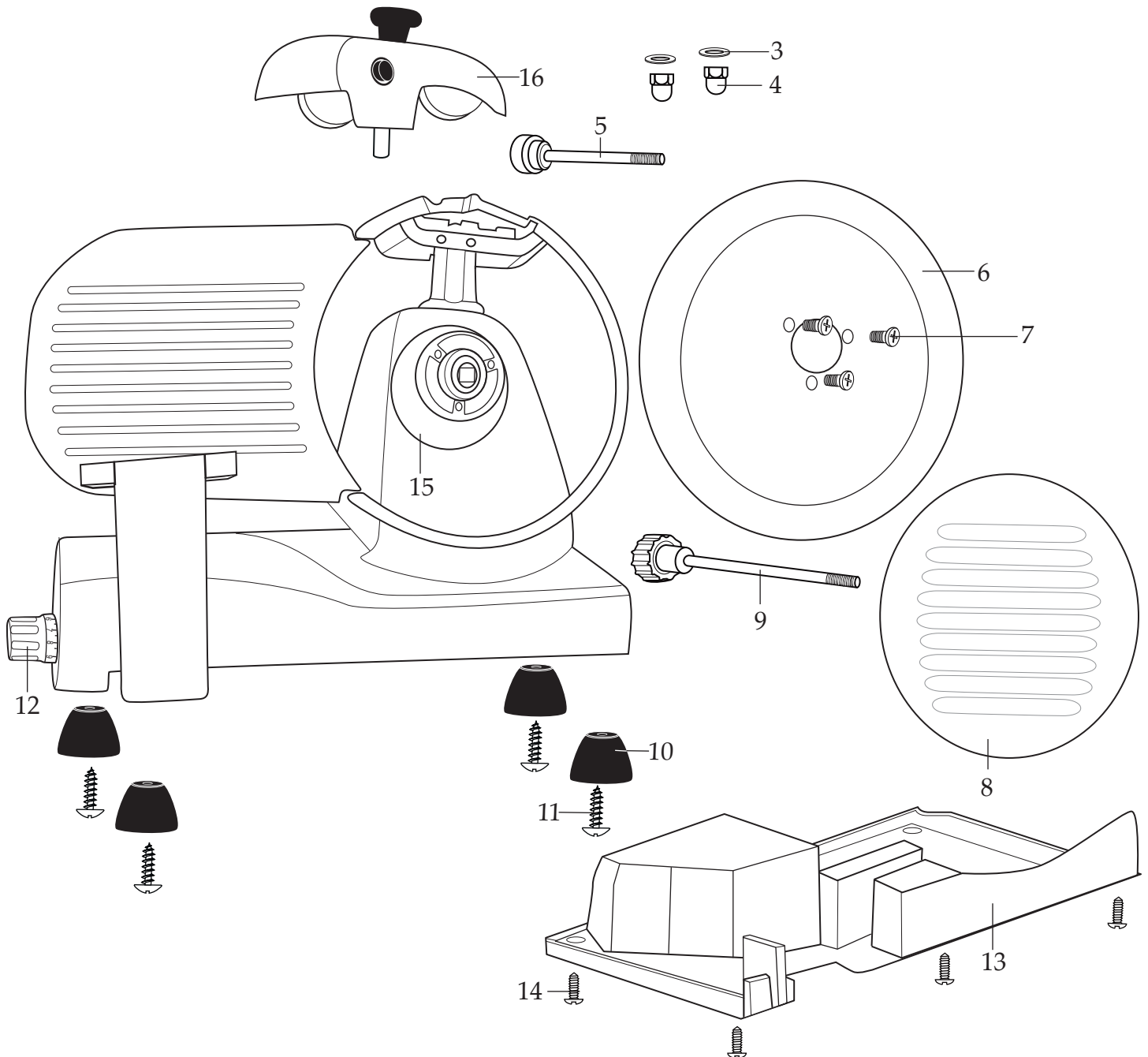
12" Blade Food Slicer
WCS300SV silver

Unit Information

120 volts – 60Hz – 115 watts
Limited 1 Year Warranty

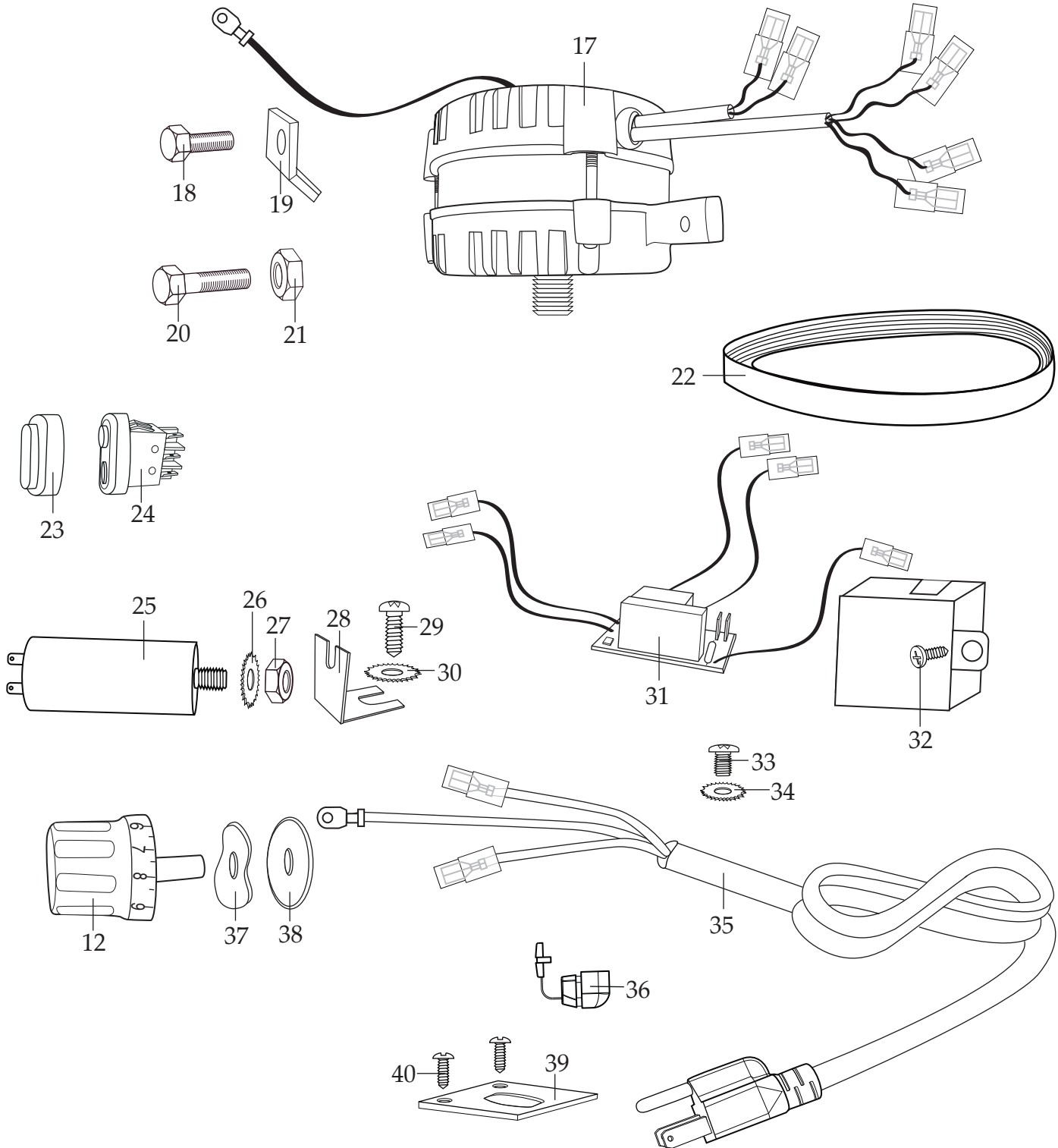


037022
Food Carriage Assembly



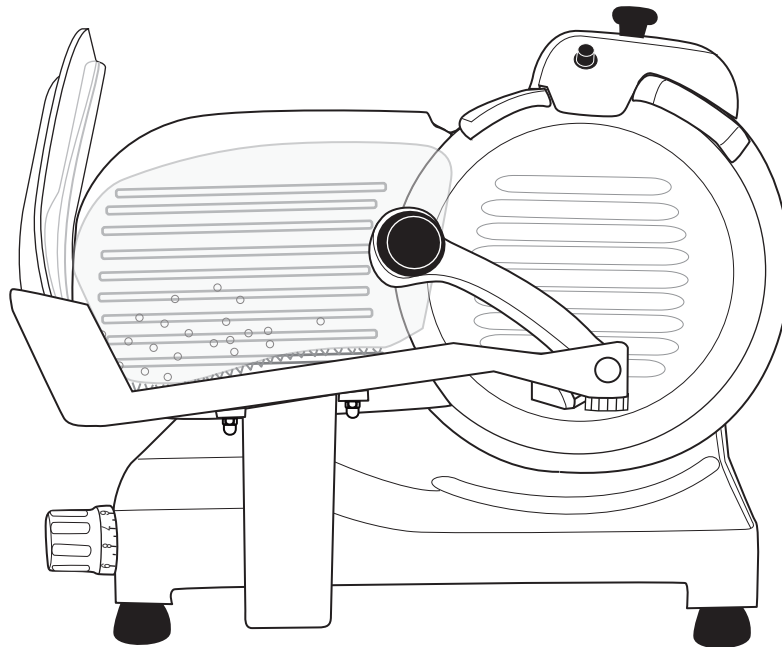
WARING COMMERCIAL

Internal Components
WCS300SV



| Illustration# | Part# | Description |
|----------------------|--------------|----------------------------------|
| 1 | 036270 | Food Guide Handle |
| 2 | 036269 | Plastic Food Guide |
| 3 | 036267 | Washer (2 required) |
| 4 | 036266 | Cap Nut (2 required) |
| 5 | 037018 | Blade Sharpener Rod and Knob |
| 6 | 037021 | 12" Blade |
| 7 | 036264 | Screw (3 required) |
| 8 | 036261 | Blade Cover |
| 9 | 036262 | Locking Blade Cover Knob and Rod |
| 10 | 036273 | Foot (4 required) |
| 11 | 036274 | Screw (4 required) |
| 12 | 036277 | Thickness Knob |
| 13 | 036271 | Bottom Plate |
| 14 | 036272 | Screw (4 required) |
| 15 | 036298 | Sealing Ring Cover |
| 16 | 037015 | Blade Sharpener Assembly |
| 17 | 037023 | Motor Assembly |
| 18 | 036287 | Short Hex Head Bolt |
| 19 | 036286 | Motor Bracket |
| 20 | 036288 | Long Hex Head Bolt |
| 21 | 036289 | Hex Nut |
| 22 | 037024 | Drive Belt |
| 23 | 036276 | Clear Switch Cover |
| 24 | 036275 | Switch |
| 25 | 037019 | Capacitor |
| 26 | 036282 | Lock Washer |
| 27 | 036283 | Hex Nut |
| 28 | 036281 | Capacitor Bracket |

| Illustration# | Part# | Description |
|---------------|--------|---------------------------------|
| 29 | 036284 | Screw |
| 30 | 036282 | Lock Washer |
| 31 | 037026 | Control Board with Box |
| 32 | 036272 | Screw |
| 33 | 036290 | Ground Screw (2 required) |
| 34 | 036291 | Ground Lock Washer (2 required) |
| 35 | 036292 | Cord |
| 36 | 036293 | Strain Relief |
| 37 | 036278 | Spring Washer (2 required) |
| 38 | 037346 | Washer |
| 39 | 037025 | Cable Lock Plate |
| 40 | 036295 | Screw (2 required) |



037027
WCS300SV Unit