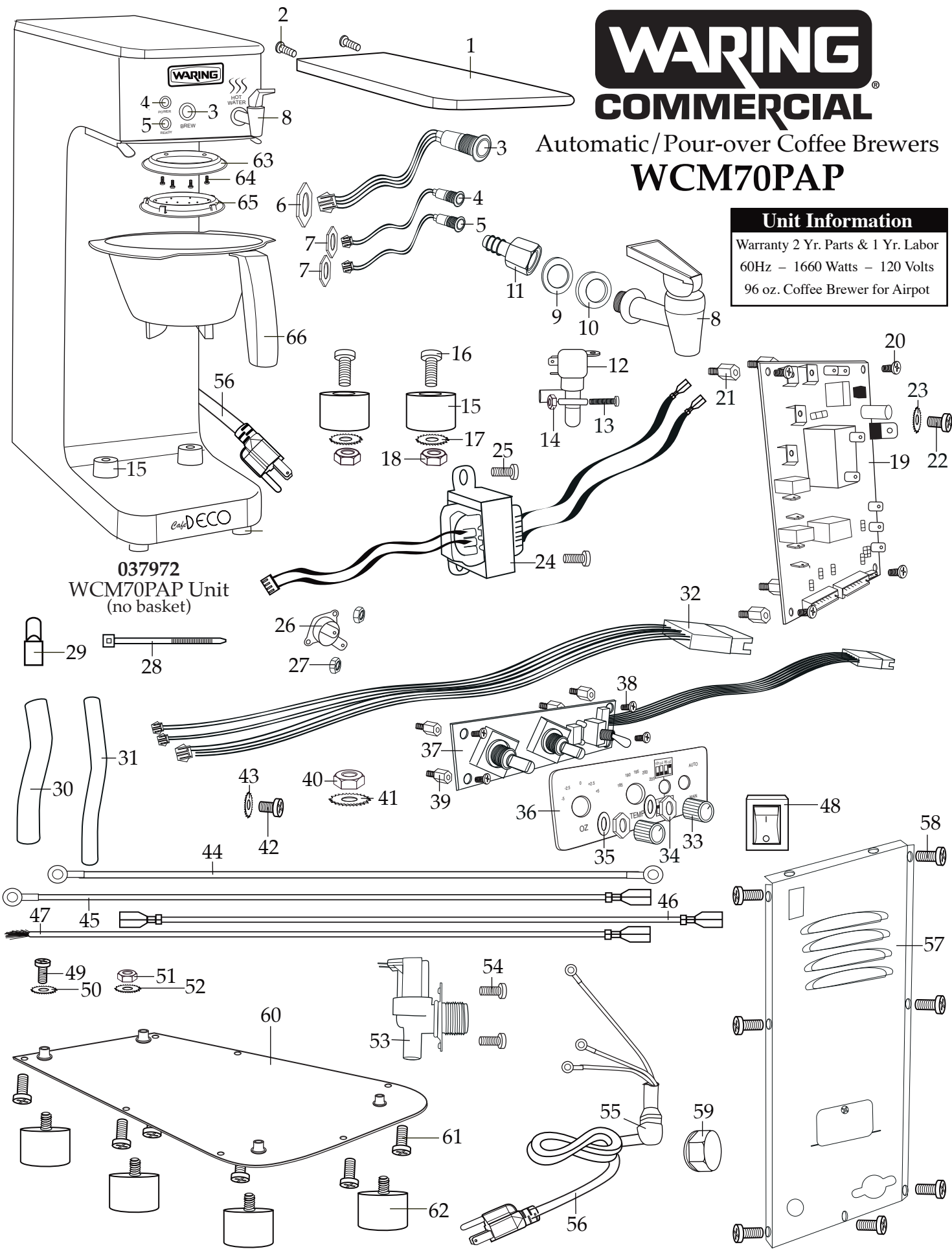


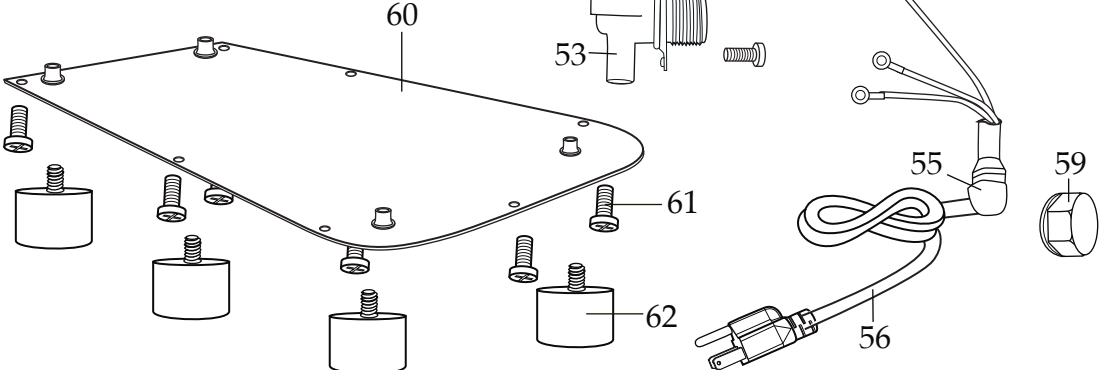
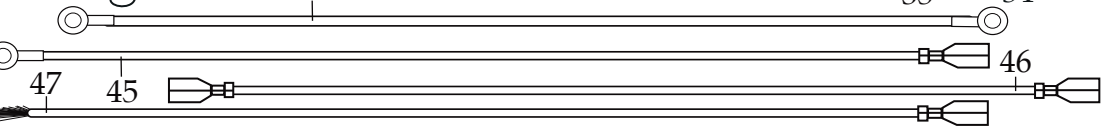
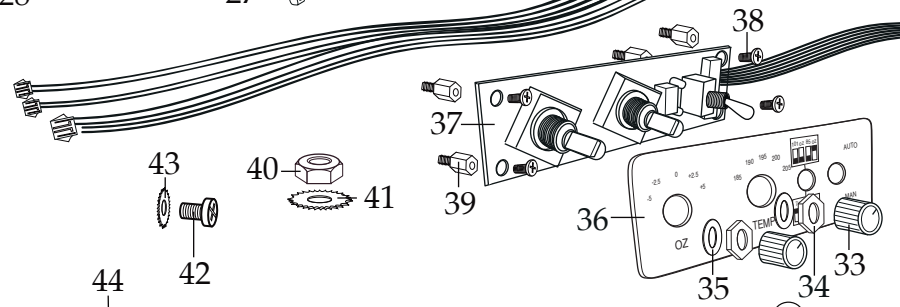
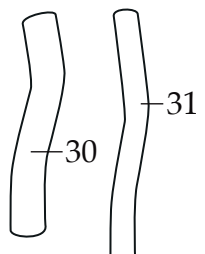
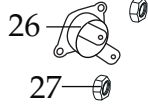
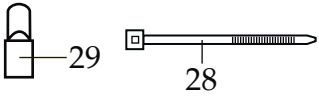


# Automatic/Pour-over Coffee Brewers WCM70PAP

| Unit Information                   |
|------------------------------------|
| Warranty 2 Yr. Parts & 1 Yr. Labor |
| 60Hz - 1660 Watts - 120 Volts      |
| 96 oz. Coffee Brewer for Airpot    |



**037972**  
WCM70PAP Unit  
(no basket)



| <b>Illustration#</b> | <b>Part#</b> | <b>Description</b>                       |
|----------------------|--------------|--|
| 1                    | 037994       | Top Plate                                |
| 2                    | 037166       | Screw (2 required)                       |
| 3                    | 038005       | Brew Light Assembly                      |
| 4                    | 038006       | Red Power Light Assembly                 |
| 5                    | 038007       | Green Read Light Assembly                |
| 6                    | 038008       | Hex Nut                                  |
| 7                    | 038009       | Hex Nut                                  |
| 8                    | 037988       | Tap (spigot)                             |
| 9                    | 037989       | Rubber Washer                            |
| 10                   | 037990       | Metal Washer                             |
| 11                   | 037991       | Tap Hose Adapter                         |
| 12                   | 037996       | Brew Solenoid                            |
| 13                   | 037997       | Screw (2 required)                       |
| 14                   | 037171       | Hex Nut (2 required)                     |
| 15                   | 038003       | Rubber Stopper (2 required)              |
| 16                   | 038004       | Screw (2 required)                       |
| 17                   | 037175       | Lock Washer (2 required)                 |
| 18                   | 037174       | Hex Nut (2 required)                     |
| 19                   | 037987       | PCB Board                                |
| 20                   | 038010       | Plastic Screw (4 required)               |
| 21                   | 038011       | Plastic Connector (4 required)           |
| 22                   | 037161       | Screw (attached lead to PCB Board)       |
| 23                   | 037158       | Lock Washer (attached lead to PCB Board) |
| 24                   | 037708       | Trasformer                               |
| 25                   | 037166       | Screw (2 required)                       |
| 26                   | 037153       | Thermal Cut Off                          |
| 27                   | 037154       | Hex Nut                                  |
| 28                   | 013731       | Wire Ties (10 required)                  |

| Illustration# | Part#                                    | Description                              |
|---------------|--|--|
| 29            | 019123                                   | Large Crimp Connectors (2 required)      |
| 30            | Large Hoses                              |  |
|               | 037999                                   | 2" Hose                                  |
|               | 038000                                   | 5.25" Hose                               |
|               | 038001                                   | 9.5" Hose                                |
|               | 038002                                   | 10.5" Hose                               |
| 31            | 037998                                   | 7.5" Thin Hose                           |
| 32            | 037992                                   | Lead Tape with Black Sleeve              |
| 33            | 038013                                   | Knob (2 required)                        |
| 34            | 038015                                   | Hex Nut (2 required)                     |
| 35            | 038014                                   | Washer (2 required)                      |
| 36            | 038012                                   | Temperature Board Cover                  |
| 37            | 038016                                   | Temperature Board                        |
| 38            | 038010                                   | Plastic Screw (4 required)               |
| 39            | 038011                                   | Plastic Connector (4 required)           |
| 40            | 037174                                   | Hex Nut (2 required)                     |
| 41            | 037175                                   | Lock Washer (2 required)                 |
| 42            | 037161                                   | Screw (lead to element 2 required)       |
| 43            | 037158                                   | Lock Washer (lead to element 2 required) |
| 44            | Leads with 2 Ring Terminals              |  |
|               | 037973                                   | 6.75" Red Lead                           |
|               | 037974                                   | 6.75" Blue Lead                          |
|               | 037975                                   | 12.5" Yellow / Green Lead                |
| 45            | Leads with 1 Regular and 1 Ring Terminal |  |
|               | 037978                                   | 4.75" Red Lead                           |
|               | 037976                                   | 8.5" Yellow / Green Lead                 |
|               | 037979                                   | 8.75" Black Lead (2 required)            |
|               | 037977                                   | 12.75" Blue Lead                         |
| 46            | Lead with 2 Regular Terminals            |  |
|               | 037984                                   | 12.25" Red Lead                          |
|               | 037982                                   | 17" Red Lead                             |
|               | 037983                                   | 17" Blue Lead                            |
|               | 037980                                   | 28.5" Red Lead                           |
|               | 037981                                   | 28.5" Blue Lead                          |



| Illustration# | Part#  | Description                       |
|---------------|--------|-----------------------------------|
| 47            |        | Lead with 1 Regular Terminal ONLY |
|               | 037985 | 20.25" Red Lead                   |
|               | 037986 | 20.25" Blue Lead                  |
| 48            | 038017 | Rocker Switch                     |
| 49            | 037166 | Screw (ground 2 required)         |
| 50            | 037158 | Lock Washer (ground 2 required)   |
| 51            | 037171 | Hex Nut (ground 2 required)       |
| 52            | 037158 | Lock Washer (ground 2 required)   |
| 53            | 037165 | Water Fill Solenoid               |
| 54            | 037166 | Screw (2 required)                |
| 55            | 037172 | Strain Relief                     |
| 56            | 037173 | Cord Set                          |
| 57            | 037993 | Back Plate                        |
| 58            | 037166 | Screw (9 required)                |
| 59            | 037705 | Yellow Valve Cover                |
| 60            | 037995 | Bottom Plate                      |
| 61            | 037166 | Screw (7 required)                |
| 62            | 037942 | Foot (4 required)                 |
| 63            | 038076 | Spreader Holder                   |
| 64            | 038076 | Screw (4 required)                |
| 65            | 038044 | Spreader                          |
| 66            | 038018 | Brew Basket                       |

**038019**  
Adapter Kit

**038020**  
Package of Filters



Date Code Location → D/C: WWYY  
D/C: WWYY  
(week week year year)