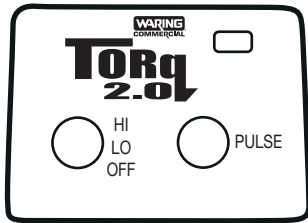


Unit Information

2 HP – 1500 watt – 24,000 Max RPM

48 oz. Stackable
Break Resistant Container

Limited 2 Year Warranty

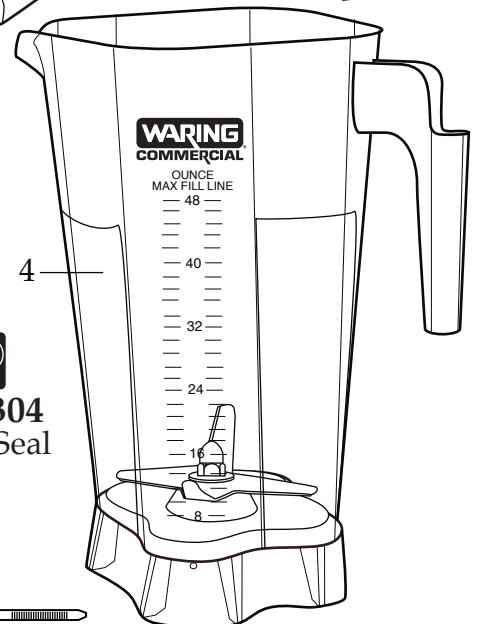
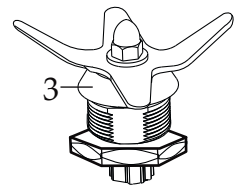
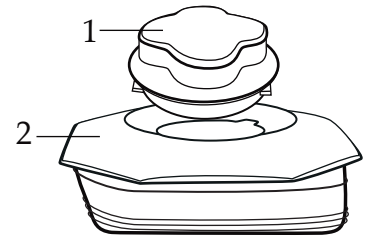
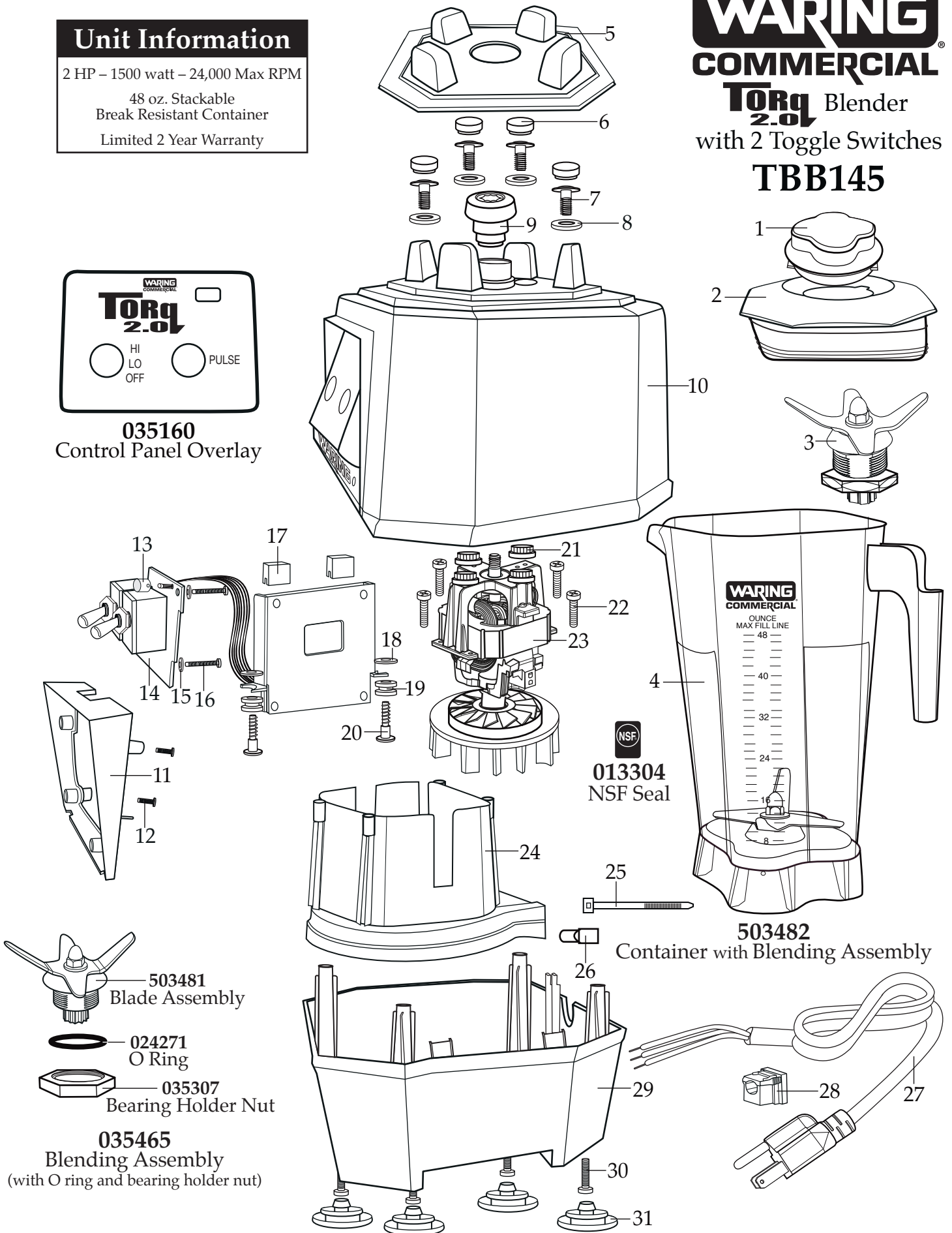


035160
Control Panel Overlay

WARING COMMERCIAL

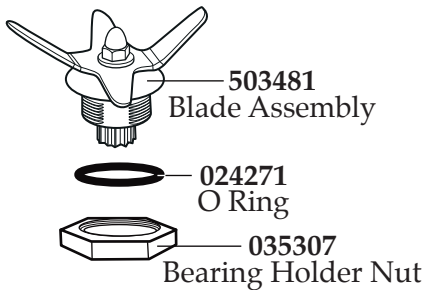
Torq 2.0 Blender with 2 Toggle Switches

TBB145



NSF
013304
NSF Seal

503482
Container with Blending Assembly



035465
Blending Assembly
(with O ring and bearing holder nut)

| Illustration # | Part # | Description |
|----------------|------------------|---|
| 1 | 028769-E | Eastman Jar Lid Cover |
| 2 | 035238-V | Vinyl Jar Lid |
| 3 | 035465 | Blending Assembly (with O ring and bearing holder nut) |
| 4 | 035239 | 48 oz. Stackable Container ONLY |
| 5 | 035885 035091 | Jar Pad (<i>changed after 7/14/2018</i>) Jar Pad (use 035885) |
| 6 | 035085 | Hole Plug (4 required) |
| 7 | 034275 | Sems (4 required) |
| 8 | 034273 | B Gasket (4 required) |
| 9 | 035251 | Drive Coupling |
| 10 | 503460-145 | Top Housing Assembly |
| 11 | 035083 | Control Housing Back Bezel |
| 12 | 035090 | Screw (2 required) |
| 13 | 035253 | LED Lens |
| 14 | 035160 | TBB145 Control Panel Assembly |
| 15 | 035255 | Washer (2 required) |
| 16 | 035089 | Screw (2 required) |
| 17 | 034900 | PCB Cushion (2 required) |
| 18 | 013604 | Washer (2 required) |
| 19 | 034904 | Rubber Grommet (2 required) |
| 20 | 034902 | Sems (2 required) |
| 21 | 034272 | A Gasket (4 required) |
| 22 | 034274 | Screw (4 required) |
| 23 | 034276 | ECM Motor / KB500 |
| 24 | 503483 | Motor Housing with Dampeners |
| 25 | 013731 | Cable Ties (6 required <i>on units after 8/16/2016</i>) - (2 required) |
| 26 | 012409 019123 | Small Crimp Connectors (2 required <i>on units after 8/16/2016</i>) - (4 required) Large Crimp Connector (2 required <i>on units after 8/16/2016</i>) - (1 required) |
| 27 | 035124 | Cordset |
| 28 | 033619 | Strain Relief |

Catalog/Model

TBB145

Waring Factory Service Center
314/Ella T. Grasso Ave.
Torrington, CT 06790
Tele. 1-800-269-6640

Waring
COMMERCIAL[®]
Fax 860-496-9017
www.waringcommercialproducts.com

| Illustration # | Part # | Description |
|-----------------------|------------------|--|
| 29 | 035079 503480 | Bottom Housing ONLY Bottom Housing Assembly with Feet |
| 30 | 034274 | Screw (4 required) |
| 31 | 035088 | Foot (4 required) |

