



Unit Information

Model	Watts	Out Put Slices Per Hour	Plug Type
CTS1000 CTS10006	1800	450	
CTS1000CND	1500	450	

2" Opening Accommodates Thick Bread and Bagels
5 Minute Heat Up Time

WARING COMMERCIAL®

Conveyor Toaster

CTS1000

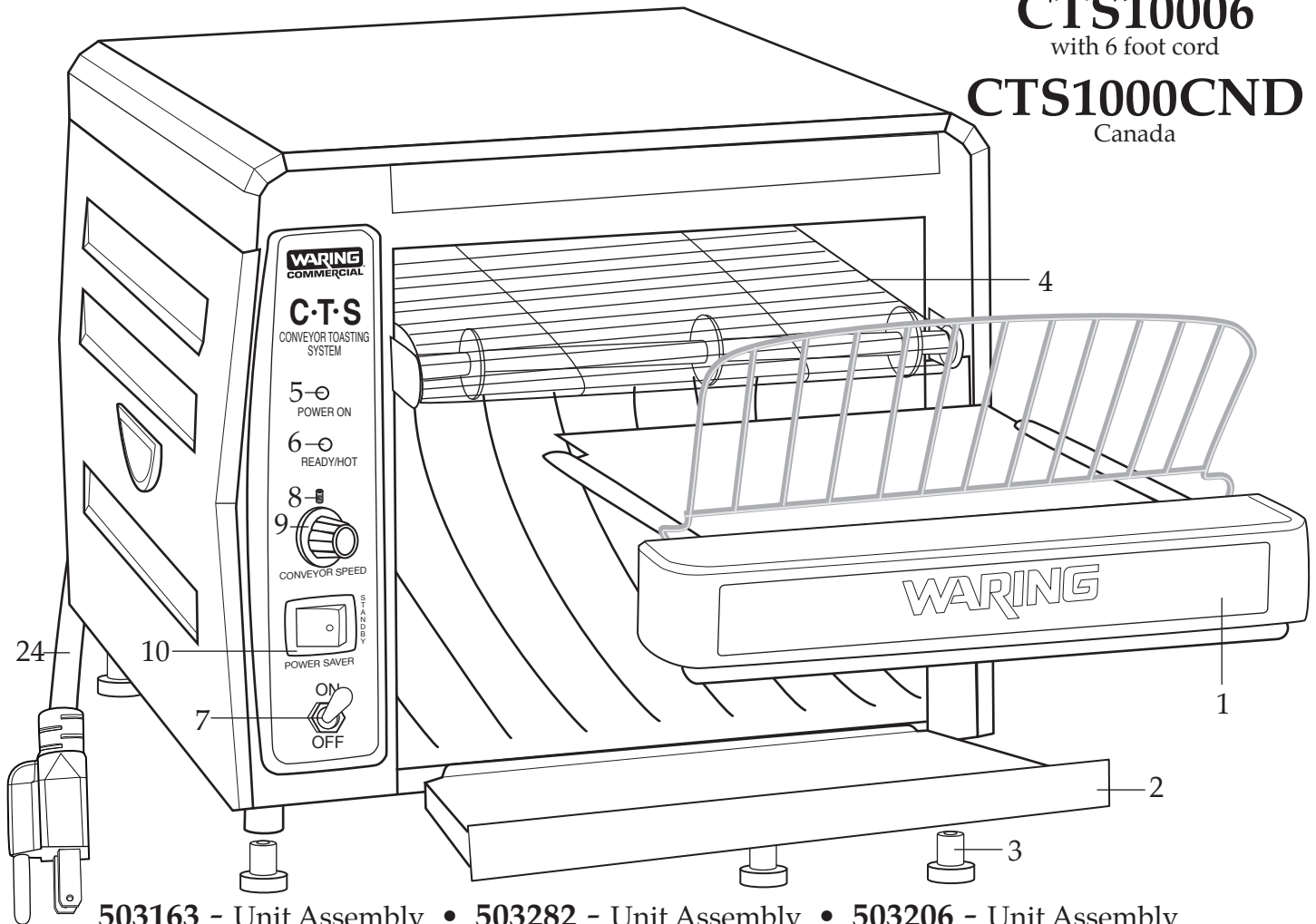
with 3.5 foot cord

CTS10006

with 6 foot cord

CTS1000CND

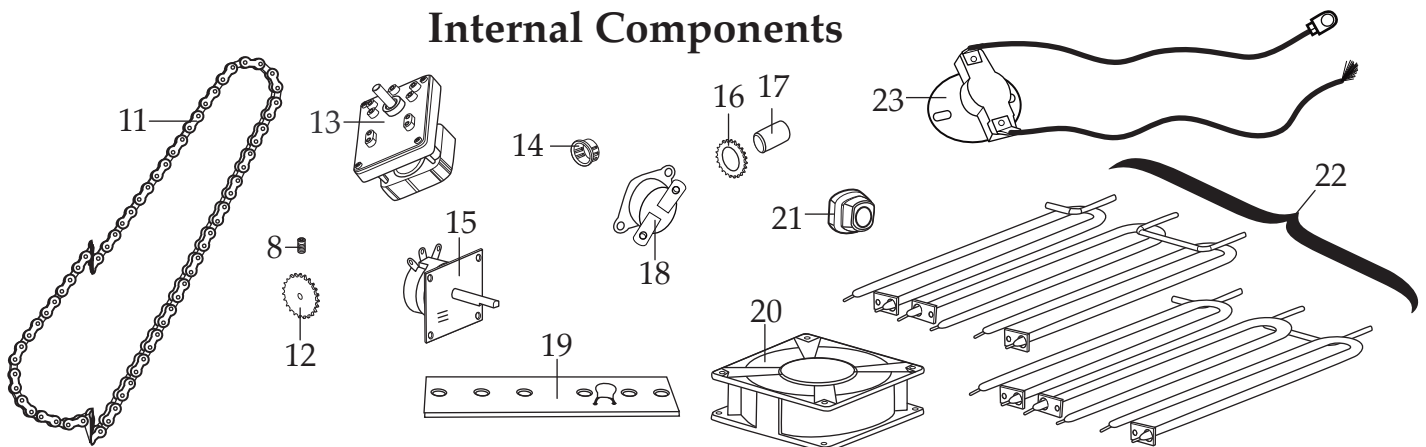
Canada



503163 - Unit Assembly CTS1000 • 503282 - Unit Assembly CTS10006 • 503206 - Unit Assembly CTS1000CND

(in 2012 the configuration on the front panel changed)

Internal Components



Catalog/Model

CTS1000
 CTS10006
 CTS1000CND

Waring Factory Service Center
 314 Ella T. Grasso Ave.
 Torrington, CT 06790
 Tele. 1-800-269-6640

WARING
 COMMERCIAL
 Fax 860-496-9017
 www.waringcommercialproducts.com

Illustration #	Part #	Description
1	028863	Crumb Tray
2	032930 028864	Toaster Drawer <i>(on units after 1/5/2012)</i> Toaster Drawer
3	028865	Foot (4 required)
4	029683	Conveyor Belt
5	029684	Red LED Cover
6	029685	Green LED Cover
7	029769	On/Off Toggle Switch
8	029235	Set Screw (knob and motor sprocket)
9	029105	Conveyor Speed Knob
10	029768	Standby Rocker Switch
11	032721 029688	62 pitch Chain <i>(on units after 3/30/2009)</i> 68 pitch Chain
12	032719	Motor Sprocket <i>(on units after 3/30/2009)</i>
13	032779	AC Motor <i>(on units after 3/30/2009)</i>
14	029691	Nylon Clamp Bushing
15	032720	VR PCB Assembly
16	029694	Conveyor Sprocket
17	029695	Space Tube (2 required)
18	029772	Thermo Switch
19	029697	Power Connection PCB Assembly
20	029773	Fan Assembly
21	029700	Cable Clamp (strain relief)
22	029774 035128	Heater Set (upper & lower) <i>(Replaceable starting with a date code of October 2011)</i> CTS1000CND Heater Set (upper & lower) <i>(Replaceable starting with a date code of October 2011)</i>
23	035126	Thermostat with Leads <i>(for heater on units after 6/2013)</i>
24	029847 029799 029848	CTS1000 Cord CTS10006 Cord CTS1000CND Cord

Parts No Longer Used

030208
 Temperature Sensor
 with Leads
(on units before 6/2013)

029689
 Large Motor Sprocket
(on units before 3/30/2009)

029770 obsolete
 DC Motor
(on units before 3/30/2009)

029771
 Transformer
(on units before 3/30/2009)

029692 obsolete
 Main PCB Assembly



(old panel configuration)