



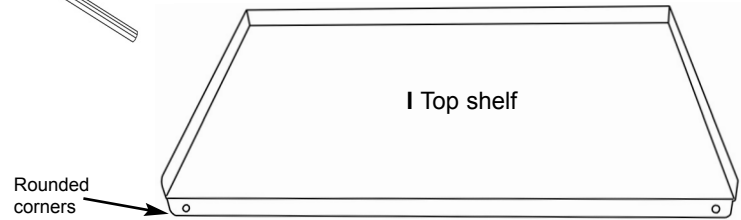
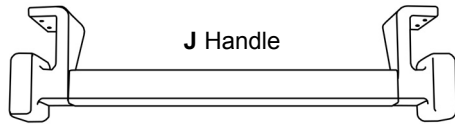
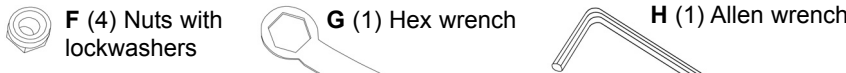
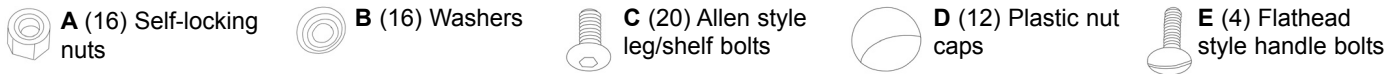
Assembly Instructions

Knocked Down Stainless Steel Utility Cart

ITEM	CAPACITY LBS. (KG)	CASTER SIZE IN (CM)	MAXIMUM DIMENSIONS (L X W X H) - IN (CM)	SHELF SIZE IN (CM)	HEIGHT BETWEEN SHELVES IN (CM)
97320	300 (135)	3 1/2 (9)	27 1/2 x 15 1/2 x 32 5/8 (70 x 40 x 84)	15 1/2 x 24 (39.4 x 60.9)	12 (30)
97326	400 (180)	4 (10)	30 7/8 x 17 3/4 x 33 3/4 (79 x 45 x 86)	17 3/4 x 27 (45 x 69)	12 (30)

CAUTION: Handle cart parts carefully to prevent injury. Although edges and corners have been deburred, they should still be considered sharp.

Open the package and remove the contents. The Knocked Down Stainless Steel Utility Cart kit contains the following parts:

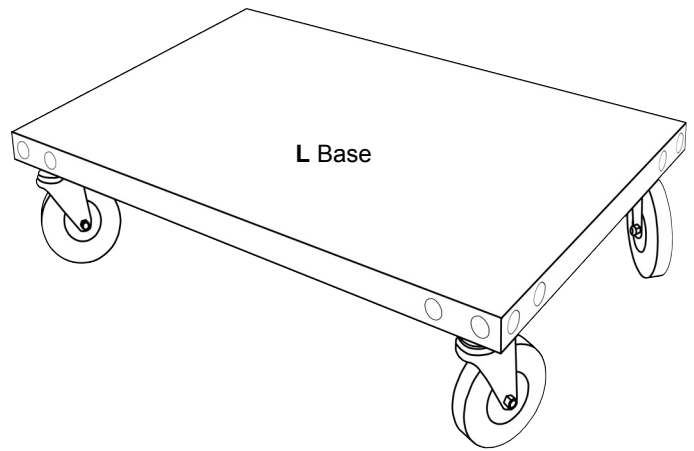
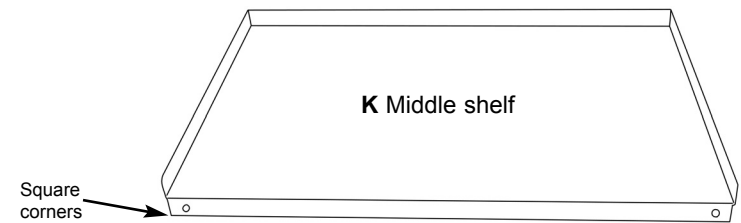
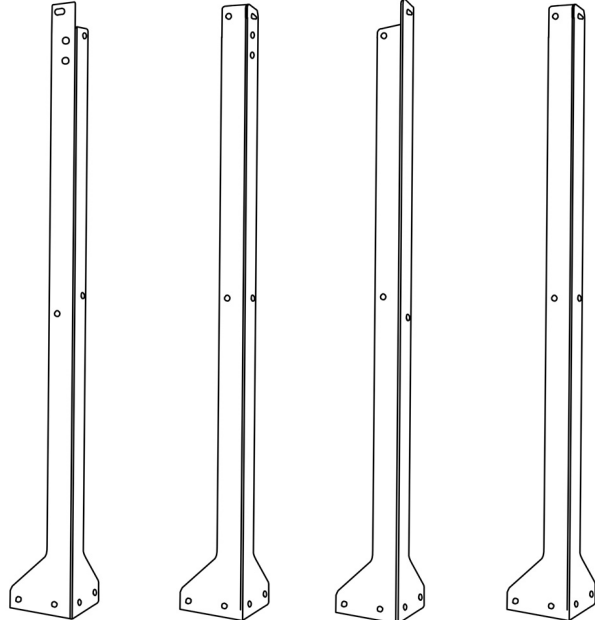


M Front leg—handle side
(cutaway end with 4 bolt holes)

N Back leg—handle side
(square end with 4 bolt holes)

O Front leg—plain side
(cutaway end with 2 bolt holes)

P Back leg—plain side
(square end with 2 bolt holes)



ASSEMBLY INSTRUCTIONS

Knocked-Down Stainless Steel Utility Cart

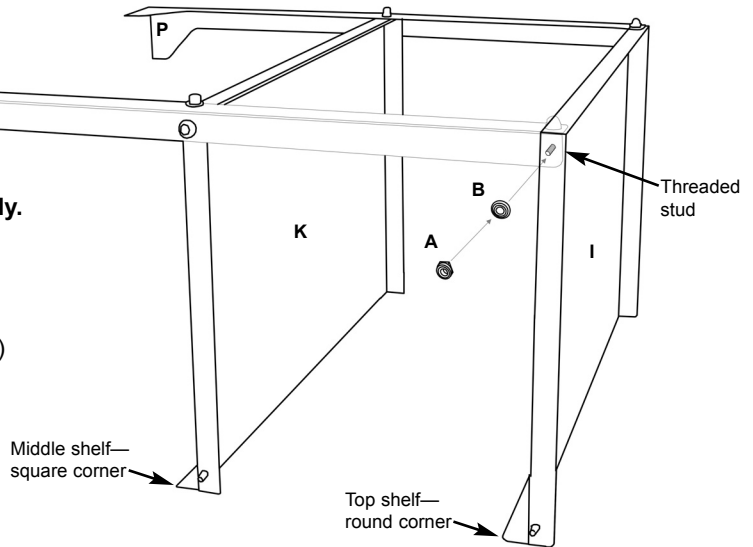
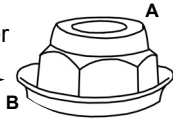
Note: build your cart on a durable surface that will not scratch or damage the cart or be damaged by the cart. A carpeted surface is ideal.

Remove protective plastic from shelves prior to assembly.

1) Attach back legs (N & P) to top and middle shelves.

The legs are not interchangeable—be sure to use the correct ones (see illustrations on page 1 for identification). Place (8) washers (B) on studs. Thread (8) nuts (A) **loosely** onto studs so that cart stays flexible for the remainder of assembly.

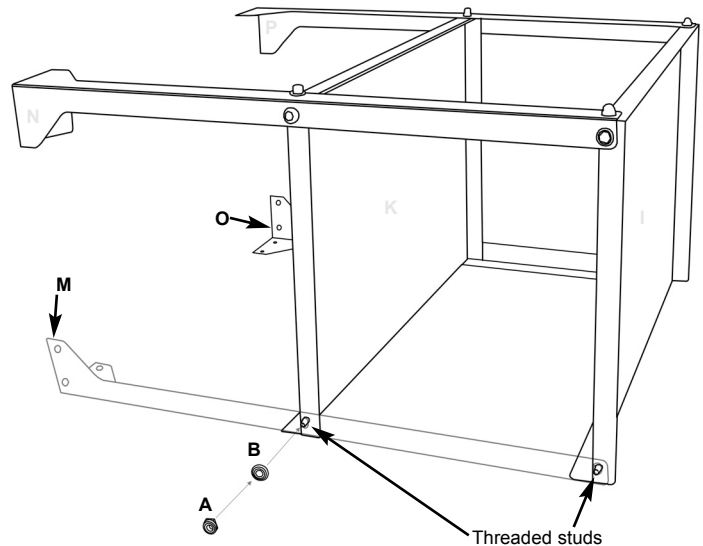
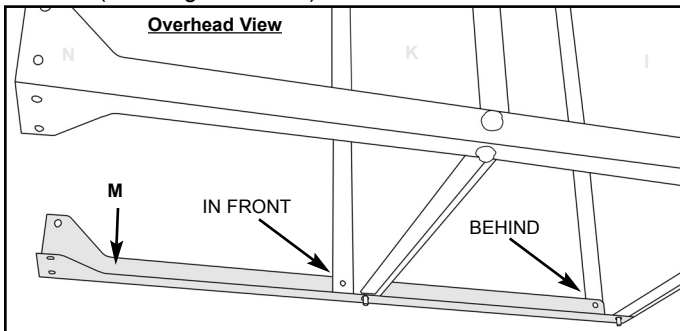
*Note: always use the washer with the cup facing up as illustrated.



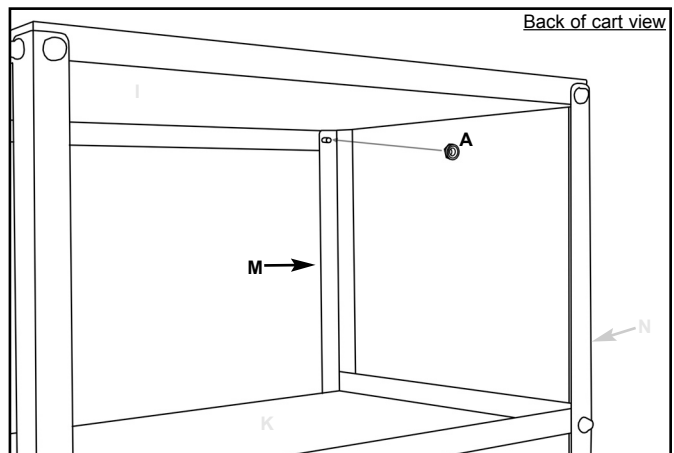
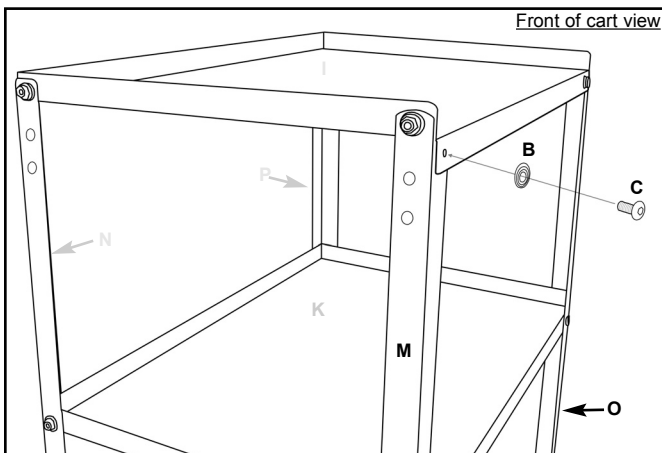
2) Attach front legs to top and middle shelves.

Slide the front legs (M & O) into place and loosely thread on the (8) washers (B) and (8) nuts (A) on the sides of the cart.

Be sure to put the front legs on so they overlap on the **inside** of the top shelf and the **outside** of the middle shelf (see diagram below).



Tip the cart upright and place (4) allen bolts (C) through (4) washers (B) and then through the holes in the front of the cart (see diagram below left). Then thread (4) self-locking nuts (A) onto the bolts (C) from the inside of the cart (see diagram below right).

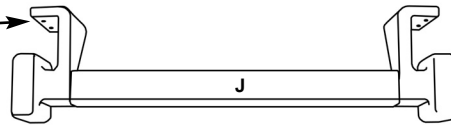


Knocked-Down Stainless Steel Utility Cart

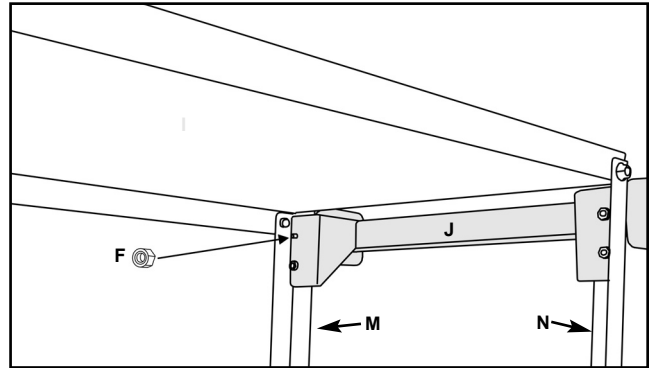
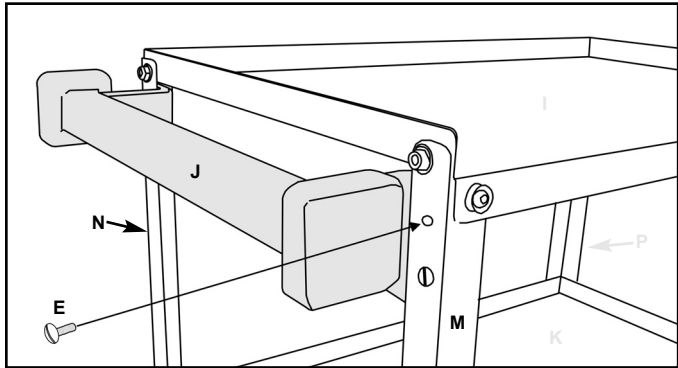
ASSEMBLY INSTRUCTIONS

3) Attach the handle.

The attachment points of the handle should be placed on the inside of the cart.

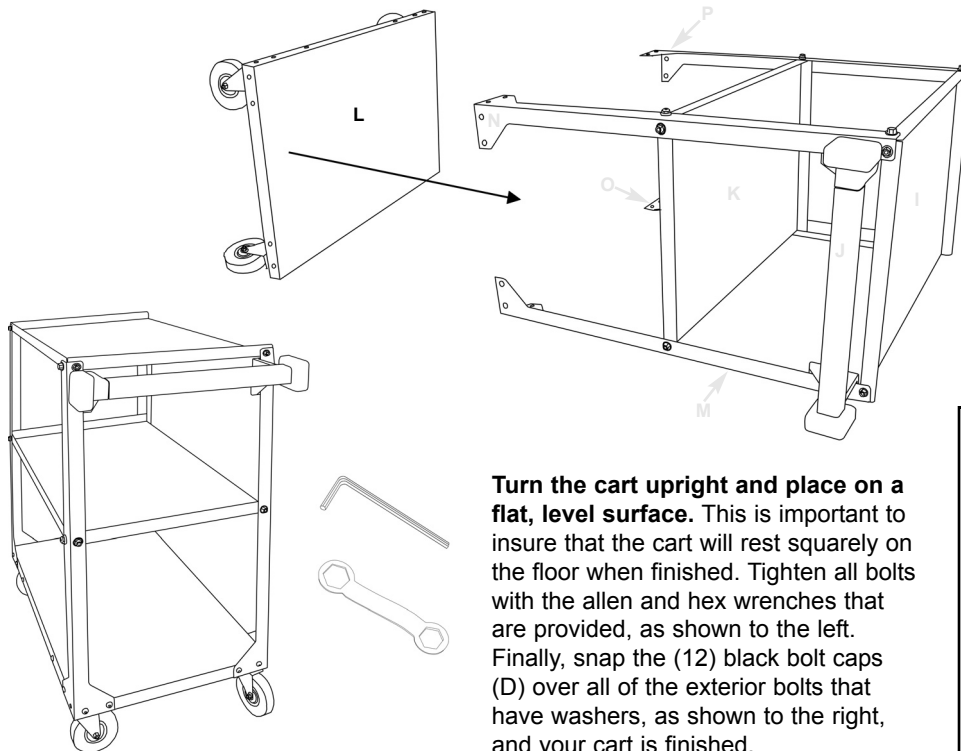


Place the (4) flathead style bolts (E) through the holes from the outside of the cart (see diagram below left). Then thread the (4) nuts with locking washers (F) onto the flathead style bolts (E) from the inside of the cart (see diagram below right). Apply pressure with thumb on flathead bolts from outside of cart to prevent them from turning.



4) Attach the base.

Slide the base (L) in between the legs. Thread (16) allen bolts (C) through the legs and **loosely** into the base. Do not tighten.



Turn the cart upright and place on a flat, level surface. This is important to insure that the cart will rest squarely on the floor when finished. Tighten all bolts with the allen and hex wrenches that are provided, as shown to the left. Finally, snap the (12) black bolt caps (D) over all of the exterior bolts that have washers, as shown to the right, and your cart is finished.

TROUBLESHOOTING

If the completed cart rocks or is unstable when placed on a flat, level surface: Loosen (but don't remove) all bolts. Place the cart on a flat, level surface. Make sure that all four wheels are touching the floor equally. Then re-tighten all of the bolts, making sure that all four wheels remain in contact with the floor.



Setting
the Standard™

The Vollrath Company, L.L.C.
1236 North 18th Street
Sheboygan, WI 53082-0611
1-800-825-6036
Item No. 23322-1 • Rev 2/07