



Outperform every day.™

ENGLISH

Operator's Manual

HEAVY DUTY COMMERCIAL MICROWAVE OVENS



Item	Model	Description	Voltage	Hz	Watts	Plug
40819	MWA7025	Microwave Oven	120V	60	1,000 (output)	5-15P
40830	MWA7125	Microwave Oven, Dial	120V	60	1,000 (output)	5-15P

Thank you for purchasing this Vollrath Counter Top Cooking Equipment. Before operating the equipment, read and familiarize yourself with the following operating and safety instructions. SAVE THESE INSTRUCTIONS FOR FUTURE REFERENCE. Save the original box and packaging. Use this packaging to ship the equipment if repairs are needed.

SAFETY PRECAUTIONS

To ensure safe operation, read the following statements and understand their meaning. Please read carefully.

WARNING

Warning is used to indicate the presence of a hazard that *can* cause *severe* personal injury, death, or substantial property damage if the warning is ignored.

CAUTION

Caution is used to indicate the presence of a hazard that *will* or *can* cause *minor* personal injury or property damage if the caution is ignored.

NOTE

Note is used to notify people of installation, operation, or maintenance information that is important but not hazard-related.

For Your Safety!

These precautions should be followed at all times. Failure to follow these precautions could result in injury to yourself and others.

WARNING

Fire and burn injuries or death can occur if this equipment is not used properly.

To reduce the risk of burns, electric shock, fire, and injury to persons or exposure to excessive microwave energy:

Important Safety Instructions

To reduce risk of injury or damage to the equipment:

1. Read all instructions before using the appliance.
2. Read and follow the specific section : *PRECAUTIONS TO AVOID POSSIBLE EXPOSURE TO EXCESSIVE MICROWAVE ENERGY.*
3. This appliance must be grounded. Connect only to properly grounded outlet. Read and follow the section: *UNPACKING THE EQUIPMENT AND INITIAL SETUP.*
4. Install or locate this appliance only in accordance with the provided installation instructions.
5. Some products such as whole eggs and sealed containers – for example, closed glass jars – are able to explode and should not be heated in this oven.
6. Use this appliance only for its intended use as described in this manual. Do not use corrosive chemicals or vapors in this appliance. This type of oven is specifically designed to heat, cook, or dry food.
7. Do not operate unattended. Closely supervise units operating in public areas and/or around children.
8. Do not operate this appliance if it has a damaged cord or a plug, if it is not working properly or if it has been damaged or dropped.
9. This appliance should be serviced only by qualified service personnel, contact nearest authorized service facility for examination, repair, or adjustment.
10. Do not cover or block any openings on the appliance.
11. Do not store or use this appliance outdoors. Do not use this product near water, for example, near a kitchen sink, in a wet basement, near a swimming pool, or similar locations.
12. Do not immerse cord or plug in water. Keep cord away from heated surface. Do not let cord hang over edge of table or counter.

13. When cleaning surfaces of door and oven that comes together on closing the door, use only mild, nonabrasive soaps, or detergents applied with a sponge or soft cloth.
14. To reduce the risk of fire in the oven cavity:
 - a. Do not overcook food. Carefully attend appliance when paper, plastic, or other combustible materials are placed inside the oven to facilitate cooking.
 - b. Remove wire twist-ties from paper or plastic bags before placing bag in oven.
 - c. If materials inside the oven should ignite, keep oven door closed, turn oven off, and disconnect the power cord or shut off power at the fuse or circuit breaker panel.
 - d. Do not use the cavity for storage purposes. Do not leave paper products, cooking utensils or food in the cavity when not in use.
15. Liquids, such as water, coffee, or tea are able to be overheated beyond the boiling point without appearing to be boiling due to surface tension of the liquid. Visible bubbling or boiling when the container is removed from the microwave oven is not always present. This could result in very hot liquids suddenly boiling over when the container is disturbed or a utensil is inserted into the liquid. To reduce the risk of injury to person:
 - a. Do not overheat the liquid.
 - b. Stir the liquid both before and halfway through heating it.
 - c. Do not use straight-sided containers with narrow necks.
 - d. After heating, allow the container to stand in the microwave oven for a short time before removing the container.
 - e. Use extreme care when inserting a spoon or other utensil into the container.
16. Do not use an extension cord with this equipment. Do not plug this equipment into a power strip or multi-outlet power cord.
17. Have equipment installed by a qualified personnel in accordance with local codes and ordinances.
18. Use equipment in a flat, level position.
19. Turn off and unplug equipment, let it cool before cleaning or moving.
20. Do not spray controls or outside of equipment with liquids or cleaning agents.
21. Do not clean the equipment with steel wool.
22. Keep equipment and power cord away from open flames, electric burners or excessive heat.
23. Pierce foods with heavy skins such as potatoes, whole squash, apples, chestnuts and etc., before cooking.
24. The contents of feeding bottles and baby jars should be stirred or shaken and the temperature should be checked before serving, in order to avoid burns.
25. Cooking utensils may become hot because of heat transferred from the heated food. Pot holders may be needed to handle the utensil.
26. Use only thermometers which are specifically designed for use in microwave ovens.
27. SAVE THESE INSTRUCTIONS.

PRECAUTIONS TO AVOID POSSIBLE EXPOSURE TO EXCESSIVE MICROWAVE ENERGY

1. Do not attempt to operate this oven with the door-open, since, open-door operation can result in harmful exposure to microwave energy. Do not to modify or tamper with the safety interlocks.
2. Do not place any object between the oven front face and the door or allow soil or cleaner residue to accumulate on sealing surfaces.

3. Do not operate the oven if it is damaged. It is important that the oven door closes properly and that there is no damage to the:
 - a. Door (bent).
 - b. Hinges and latches (broken or loosened).
 - c. Door seals and sealing surfaces.
4. The oven should not be adjusted or repaired by anyone except properly qualified service personnel.

FUNCTION AND PURPOSE

This unit is intended to be used for heating/cooking fresh or frozen foods in commercial foodservice operations only. It is not intended for household, commercial, or laboratory use.

UNPACKING THE EQUIPMENT AND INITIAL SETUP

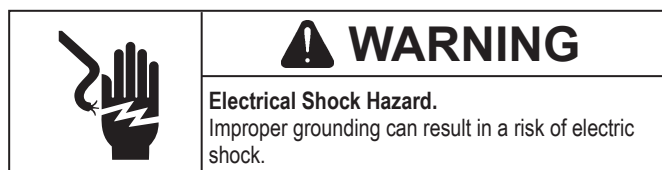
When no longer needed, dispose of all packaging and materials in an environmentally responsible manner.

Before using this equipment it must be cleaned thoroughly. Clean all surfaces before use. Failure to clean surfaces before using the unit could cause food contamination.

1. Remove all packing material and tape, as well as any protective plastic from the unit. Clean any glue residue left over from the plastic or tape.
2. Check the oven for any damage, such as misaligned or bent door, damaged door seals and sealing surface, broken or loose door hinges and latches and dents inside the cavity or on the door. If there is any damage, do not operate the oven but contact qualified service personnel.
3. This microwave oven must be placed on a flat, level, and stable surface to hold its weight and the heaviest food likely to be heated/cooked in the oven.
4. Do not place the oven where heat, moisture, or high humidity are generated, or near combustible materials.
5. For correct operation, the oven must have sufficient airflow. Allow 8" (20 cm) of space above the oven, 4" (10 cm) at the back and 2" (5 cm) on each side. Do not cover or block any openings on the appliance. Do not remove feet on which oven stands.
6. Make sure that the power supply cord is undamaged and does not run under the oven or over any hot or sharp surface.
7. The electrical plug must be readily accessible so that it can be easily unplugged in an emergency.
8. Plug equipment into a properly grounded electrical supply matching the nameplate rating. Damage to the equipment can occur if incorrect power is supplied to equipment. After the oven is plugged in, beeping and blue background light indicates the oven is ready for input.

GROUNDING INSTRUCTIONS

This appliance must be grounded. In the event of an electrical short circuit, grounding reduces the risk of electric shock by providing an escape wire for the electric current. This appliance is equipped with a cord having a grounding wire with a grounding plug. The plug must be plugged into an outlet that is properly installed and grounded.



FEATURES AND CONTROLS

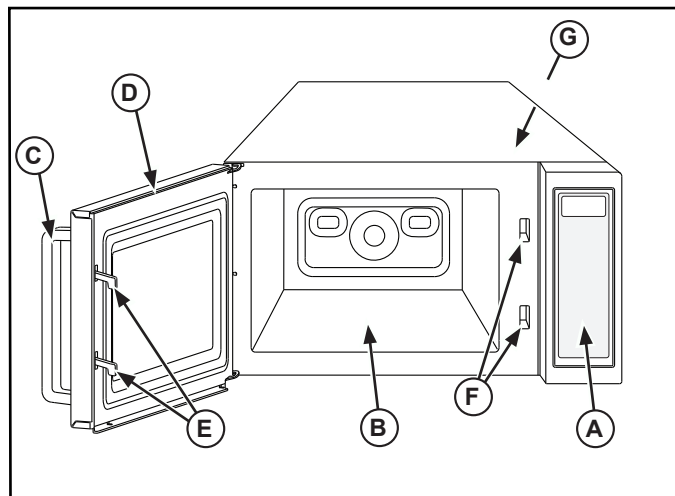
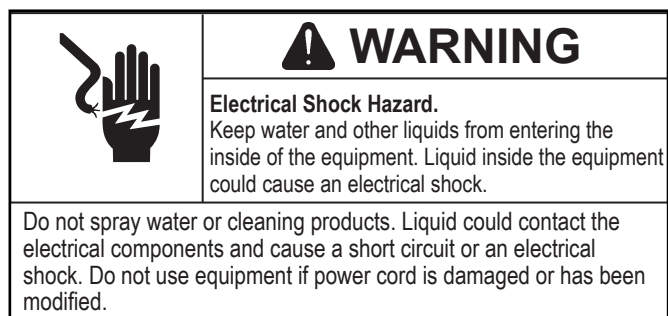
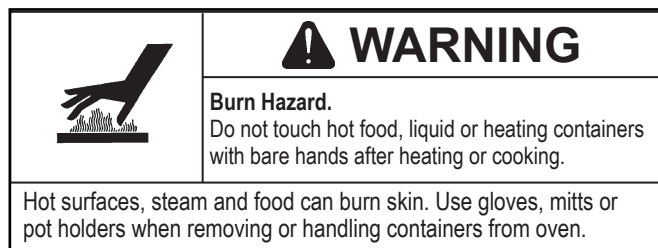


Figure 1. Features and Controls.

- (A) CONTROL PANEL
- (B) OVEN FLOOR
- (C) DOOR HANDLE
- (D) DOOR
- (E) DOOR SAFETY LATCH
- (F) DOOR LATCH OPENINGS
- (G) BULB (125V, 20W)

OPERATION

There are two microwave ovens covered by this manual. The manual control model features a manual power selection knob, a manual time/start/stop knob and a digital display. The digital control model features push-button controls and a digital display.



MANUAL CONTROL MODEL

The control panel consists of two manual function controls and a digital display. One is a timer control knob, and another a power control knob.

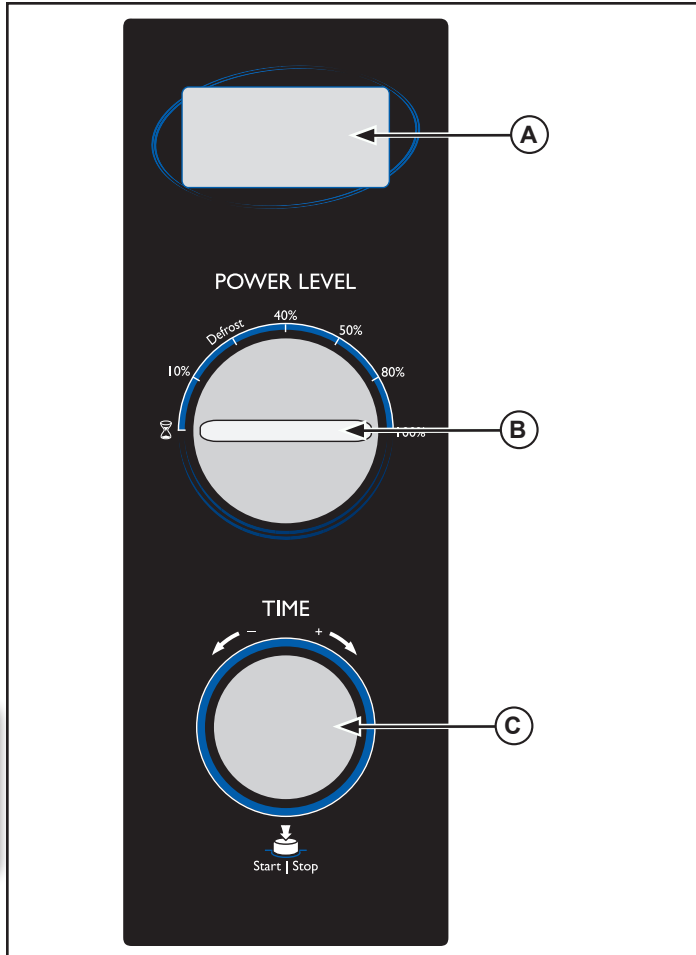


Figure 2. Manual Control Model Control Panel.

- (A) CONTROL PANEL. Displays the power level, time and program.
- (B) POWER SELECTOR CONTROL. Rotate the dial to select the level of power. Use this control to choose a power level. There are 6 power levels to choose from. Power level increases by turning the knob clockwise. The power levels can be classified as the following:

Power Output	Description
100%	High
80%	Medium High
50%	Medium
40%	Medium Low
Defrost (30%)	Defrost
10%	Low

- (C) TIME SET/START/STOP CONTROL. Rotate the dial to set the time for heating/cooking. Turn the time knob to select a desired heating/cooking time up to 60 minutes per cooking session. Pressing the time knob will start a heating/cooking session. During cooking, press the time knob once to stop heating/cooking and press it again to restart the heating/cooking cycle.

Time Control Adjustment Increments

10 second increment from 0 minutes to 5 minutes

30 second increment from 5 minutes to 10 minutes

1 minute increment from 10 minutes to 30 minutes

5 minute increment from 30 minutes to 60 minutes

NOTE:

Pressing the Time Control repeatedly will set the time up to 12 minutes. During the operation the power and time may be changed.

To begin a heating/cooking session:

1. Place the food product in oven and close the door.
2. Turn the Power Selector Control to select a power level.
3. Use the Time Control to set a cooking time
4. Press the TIME Control to start.

DIGITAL CONTROL MODEL

The control panel consists digital control buttons and a digital display.

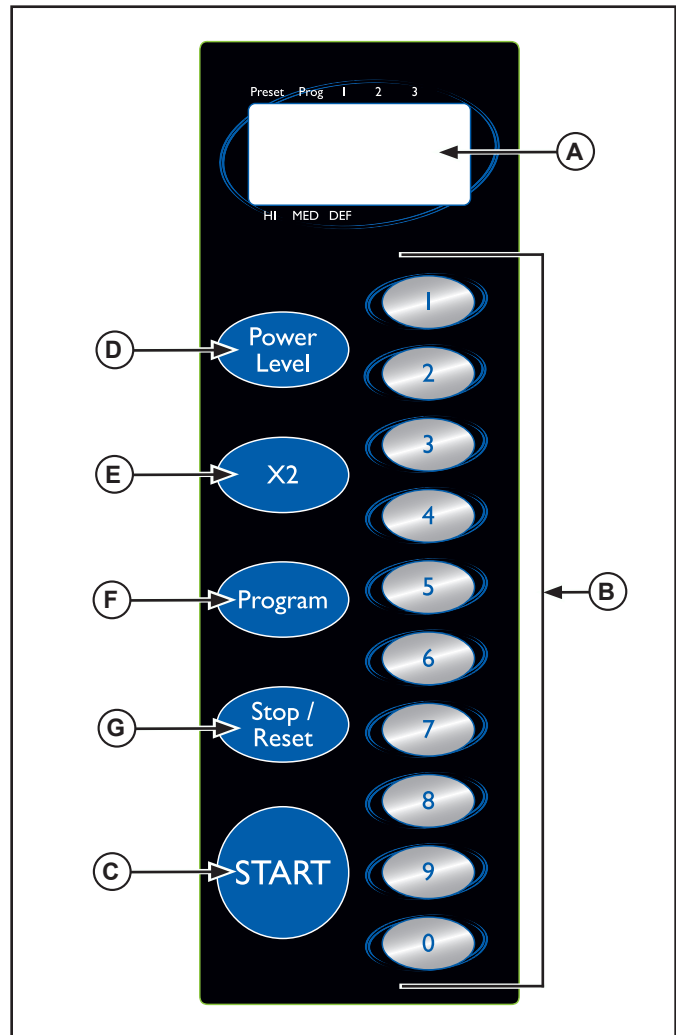


Figure 3. Digital Control Model Control Panel.

- A** CONTROL PANEL. Displays the power level, time and program.
- B** NUMBER BUTTONS. Used to set the heating/cooking time and select program(s).
- C** START BUTTON. Press once to start the heating/cooking cycle.
- D** POWER LEVEL BUTTON. Used to select the power level. The power level is indicated in the digital display.

Press Power Level Button	Power Level
1 Time	High
2 Times	Medium
3 Times	Defrost

- E** X2 BUTTON. Used to recall or save a cooking program to a number key.
- F** PROGRAM BUTTON. Used to set a heating/cooking program.
- G** STOP/RESET BUTTON. Used to stop or reset a heating/cooking session. Pressing this button once during heating/cooking will stop the session, pressing this button twice will end the session.

To begin a heating/cooking session manually programming the time and power level:

- Place the food product in oven and close the door.
- Press the Power Level Button and select a power level. Press the Number Button(s) to set cooking time; maximum 99 minutes and 99 seconds.
- Press the Start Button to start.

To begin a heating/cooking session using preset power level and time programs:

Each of the number keys is factory preset with a heating/cooking program.

- In ready mode, press one of the ten number buttons for a preset program, power level and time:

Number Button	Preset Time	Preset Power Level
1	:10	High
2	:20	High
3	:30	High
4	:45	High
5	1:00	High
6	1:30	High
7	2:00	High
8	2:30	High
9	3:00	High
0	3:30	High

- Press the Start Button to start.

To begin a heating/cooking session using preset X2 power level and time programs:

- In ready mode, press X2 and then one of the ten number buttons to recall the X2 preset cooking program. The following are the default settings for the X2 number key programs:

Number Button	Preset Time	Preset Power Level
1	:20	High
2	:40	High
3	1:00	High
4	1:30	High
5	2:00	High
6	3:00	High
7	4:00	High
8	5:00	High
9	6:00	High
0	7:00	High

- Press the Start Button to start.

Creating and Recalling Programs

You can save frequently used cooking programs to a number key and recall at a later time. While each number key is factory preset, the user is able to reset the cooking program stored under each of the ten number keys. Each program may contain up to three stages of consecutive cooking periods with different power levels. To designate a number key to a user defined program, take the following steps:

Example: To set a cooking program and save it to number button 1.

- In ready mode, press Program Button once.
- Press the number "1" Number Button.
- Use Power Level Button to set the desired cooking power.
- Use Number Buttons to set desired cooking time.
- Press Program Button to save.

You can set a two or three stage cooking program by repeating steps 3 and 4 once or twice again before pressing Program Button, step 5. When complete, the screen will display the total cooking time by pressing Start Button.

NOTE:

To start program immediately after you press any of the number keys, press and hold down the Start Button for 5 seconds.

Recall Cycles of Operation

You can read the count of how many times the oven has been used. To do this:

- Open the door.
- Press and hold the Stop/Reset Button and press the Power Level Button. The number on the display shows how many times the oven has been used.

This function can be useful for the operator to analyze the usage of the oven and the traffic flow at a particular location where the oven is being used commercially.

Control Panel Lock

In ready mode, press and hold the Program Button for 5 seconds. The panel is locked and intermittent pressing of the buttons will have no effect.

To release the panel lock:

In ready mode, press and hold Program for 5 seconds, the oven returns to normal operation.

HEATING/COOKING TIPS

The Following Items are **NOT RECOMMEND** for use in the Microwave Oven:

- Glass jars and bottles — Regular glass is too thin to be used in a microwave. It can shatter and cause damage and injury.
- Paper bags — Paper and paper bags are a fire hazard, except for popcorn bags that are designed for microwave use.
- Styrofoam plates and cups — Styrofoam can melt and leave an unhealthy residue on the food.
- Plastic storage and food containers — Containers not specifically designed and intended for microwaves, such as margarine tubs, can melt in the microwave.
- Metal utensils — Metal can damage your oven. Remove all metal and foil before cooking.
- Metal food containers — Metal containers will not allow proper cooking in the microwave and can also damage the appliance.

DEFROSTING FROZEN FOODS

1. If you try to completely defrost frozen foods in the microwave oven, uneven defrosting may occur due to the differences in the thickness and shape of the food. Drippings may also result, and sometimes a part of the food cooks although other parts still remain frozen. In actual usage of frozen foods, you should not normally completely defrost food, but 70% defrosting in the oven may be helpful for the next step of preparing the food for cooking.
2. To defrost evenly, turn over or rearrange the food during defrosting.
3. To defrost fatty meat, heat for a short time in the oven and leave it to stand at room temperature, or heat it intermittently until defrosted.
4. When you defrost a whole chicken, or any frozen food of irregular shape, wrap legs or thin parts with aluminum foil. Otherwise thin parts will be defrosted faster and sometimes cooked before other parts have properly defrosted. For big pieces of meat, wrap the sides with aluminum foil so that they will be uniformly thawed by vertical microwaves only.
5. Ice should be removed at times during defrosting.

FOR BEST RESULTS

1. When determining time for particular foods, always consider the minimum cooking time and check occasionally during cooking for progress. The microwave oven cooks quickly, therefore it is easy to overcook your foods.
2. Be careful of the cooking time for small quantities of foods, or foods with low water content. Food may burn if cooked too long.
3. Do not use the oven for drying kitchen towels or napkins. Items may burn if heated too long.
4. Open the door and give the dish a half turn, or turn the food over during cooking. This helps to achieve more even cooking. When you cook chicken the legs cook faster than other parts. Wrap the legs with aluminum foil during cooking to reflect the microwave energy in order to create even cooking.
5. Remember that after the heating cycle has been completed, internal food temperatures continue to rise slightly in foods heated in this oven. Always verify the food has been cooked to required temperatures with a food thermometer.
6. Breads, pastries and pies are drier than typical foods and therefore may heat slower. They also tend to be overheated with resulting poor quality therefore, baked foods should only be heated until the crust is warm to the touch, 113°F - 131°F (45°C - 55°C).
7. Do not overheat your food: 99% of the food quality complaints of microwave heated foods can be traced to overheating.

8. Factors determine the success of microwave food preparation include:
 - a) Temperature of foods: frozen or refrigerated food items require longer heating times to reach a desired serving temperature than foods from room temperature.
 - b) Food components: foods high in sugar, salt, fats and moisture content heat faster because these properties attract microwave energy. Denser foods high in protein and fiber absorb microwave energy slower which means a lengthier heating time.
 - c) Bulk/volume: the greater the mass of food, the longer it takes to heat.
 - d) Containers: Heating foods with either high sugar or high fat content should be done only in high temperature resistant containers since these foods get very hot. Low temperature restaurant glass or plastic platters may crack or warp under similar conditions. Do not heat food in a sealed container or bag. Foods expand when heated and can break the container or bag.
 - e) Heated liquids can erupt if not mixed with air. Do not heat liquids in your microwave oven without first stirring.

CLEANING

To maintain the appearance and increase the service life, clean your equipment daily.

	WARNING
	Burn Hazard. Do not touch hot food, liquid or heating containers with bare hands after heating or cooking.
Hot surfaces, steam and food can burn skin. Use gloves, mitts or pot holders when removing or handling containers from oven.	

	WARNING
	Electrical Shock Hazard. Keep water and other liquids from entering the inside of the equipment. Liquid inside the equipment could cause an electrical shock.
Do not spray water or cleaning products. Liquid could contact the electrical components and cause a short circuit or an electrical shock. Do not use equipment if power cord is damaged or has been modified.	

NOTE:

Do not clean the equipment with steel wool.

1. Turn off the oven and unplug before cleaning.
2. Do not immerse cord, plug or unit in water or any other liquid.
3. Keep the inside of the oven clean using a damp cloth.
4. For stubborn splatters or spills, mild soap and water can be used. Avoid the use of harsh cleaners as they can damage the surface of the oven.
5. The outside surfaces should be cleaned with a damp cloth. Do NOT allow water to seep into ventilation openings.
6. Do NOT allow control panel to get wet. Use a damp cloth and keep door open to prevent the unit from accidentally turning on.

SERVICE AND REPAIR

There are no user serviceable parts within this appliance. To avoid serious injury or damage, never attempt to repair the equipment or replace a damaged power cord yourself. Do not send equipment directly to the Vollrath Company. Please contact the qualified professional repair service listed below.

VOLLRATH Technical Service • 1-800-628-0832 • Email: techservicereps@vollrathco.com

When contacting the Authorized Professional Service Center, please be ready with the item number, model number (if applicable), serial number, and proof of purchase showing the date the unit was purchased.

WARRANTY STATEMENT FOR THE VOLLRATH Co. L.L.C.

This warranty does not apply to products purchased for personal, family or household use, and The Vollrath Company LLC does not offer a written warranty to purchasers for such uses.

The Vollrath Company LLC warrants the products it manufactures or distributes against defects in materials and workmanship for a period of one year, except as specifically described in our full warranty statement. In all cases, the warranty runs from the date of the end user's original purchase date found on the receipt.

Warranty does not cover:

- Light Bulbs

For complete warranty information, product registration and new product announcement, visit www.vollrath.com.



www.vollrath.com

The Vollrath Company, L.L.C.
1236 North 18th Street
Sheboygan, WI 53081-3201
U.S.A.

Main Tel: 800.628.0830
Fax: 800.752.5620

Technical Services: 800.628.0832
Service Fax: 920.459.5462

Canada Service: 800.695.8560

© 2014 The Vollrath Company, L.L.C.