



Outperform every day.™

Project:

Item Number:

Quantity:

COUNTERTOP MIXERS



7 Quart



10 Quart

Countertop Mixers

MODELS

Item No.	Model No.	Description
40755	MIX1007	Countertop – 7 Quart (US and Canada)
40756	MIX1010	Countertop – 10 Quart (US and Canada)

FEATURES

- Commercial grade countertop model
- Five-speed direct drive transmission
- Digital control panel to make easy speed shifts while unit is running
- 30 minute timer stops the mixer when timer ends
- Compact and lighter weight design for smaller footprint, easier cleaning, and portability
- Non-skid rubber base
- 6 ft. (1.8 m) cord with plug

DESCRIPTION

Vollrath's countertop mixers are designed specifically for small commercial mixing applications. These compact tabletop mixers are small enough to fit into any kitchen yet robust enough for continuous use.

WARRANTY: The warranty period is 2 years on parts, 1 year on labor and 5 years on belts. For full warranty details, please refer to www.Vollrath.com.

Agency Listings



Approvals	Date

Due to continued product improvement, please consult www.vollrath.com for current product specifications.



Outperform every day.™
www.vollrath.com

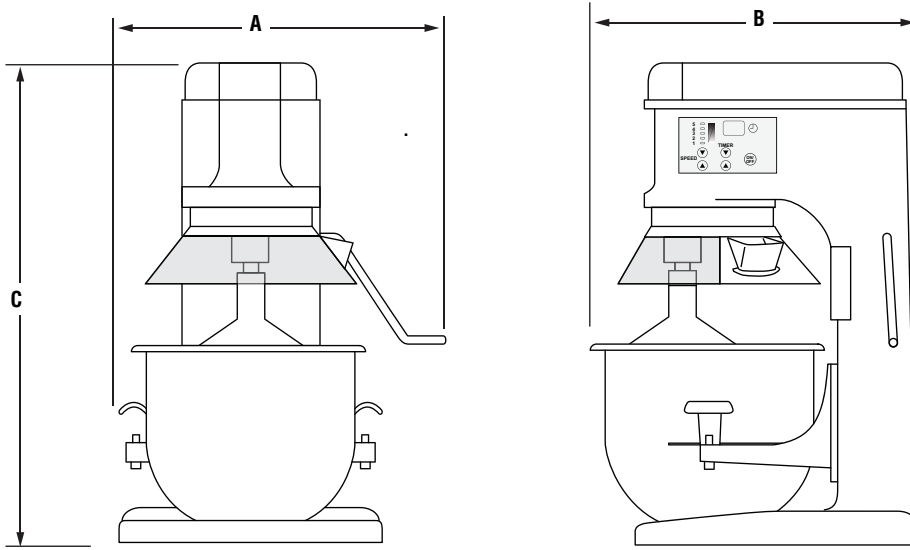
The Vollrath Company, L.L.C.
1236 North 18th Street
Sheboygan, WI 53081-3201 U.S.A.
Customer Service: 800.628.0830
Canada Customer Service: 800.695.8560
Main Fax: 800.752.5620 or 920.459.6573

Technical Services: 800.628.0832
Technical Services Fax: 920.459.5462

COUNTERTOP MIXERS

DIMENSIONS

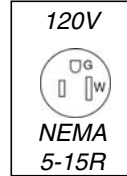
Dimensions shown in inches (cm).



SPECIFICATIONS

Item No.	Capacity	Dimensions			Transmission	HP	Voltage	Amps	Plug
		(A) Width	(B) Depth	(C) Height					
40755	7 Qt.	13 ¹ / ₈ (33.3)	17 ³ / ₄ (45.1)	20 ¹ / ₄ (51.4)	5 speed	1/3	110-120	6	NEMA 5-15P
40756	10 Qt.	13 ¹ / ₁₆ (33.2)	17 ¹ / ₁₆ (44.9)	21 ³ / ₁₆ (53.8)	5 speed	1/3	110-120	6	NEMA 5-15P

Receptacle



Outperform every day.™

www.vollrath.com

The Vollrath Company, L.L.C.
 1236 North 18th Street
 Sheboygan, WI 53081-3201 U.S.A.
 Customer Service: 800.628.0830
 Canada Customer Service: 800.695.8560
 Main Fax: 800.752.5620 or 920.459.6573

Technical Services: 800.628.0832
 Technical Services Fax: 920.459.5462