



Outperform every day.™

Project:
Item Number:
Quantity:

Cayenne® Bain Marie Display Case

The Vollrath Company, L.L.C.

CAYENNE® BAIN MARIE DISPLAY CASE



ITEMS

Item No.	Model No.	Description
40732	BMA7103	Cayenne® Bain Marie Display Case

FEATURES

- Versatile heating element allows well to be used wet or dry
- Rear drain valve for easier end-of-day maintenance
- Energy regulator dial gives reliable temperature control to accommodate a wide range of different foods
- Includes two 12" adapter bars to divide full-size well spaces
- Double skin stainless steel base reduces heat loss and allows unit to be used either as a drop-in or countertop - cutout dimensions
- Stainless steel top is heated and can be used as a plate warmer
- Sliding glass doors in rear lift out easily for cleaning
- Top-mounted halogen lighting for excellent staging of merchandised food
- 5 ft. (1.5 m) cord and plug

DESCRIPTION

Vollrath's Cayenne® Bain Marie Display Case is a great way to present your food and keep it warm. It has both dry and wet heat functions so it is suitable for all types of foodstuffs.

The Cayenne® Bain Marie Display Case keeps food at the right temperature and humidity. Ideal for enhancing food presentation on buffets, carveries, outside catering and restaurants. Completely portable and easy to transport. The Cayenne® Bain Maire Display Case can also be countersunk.

Agency Listings



Due to continued product improvement, please consult www.vollrath.com for current product specifications.

Approvals	Date



Outperform every day.™

www.vollrath.com

The Vollrath Company, L.L.C.

1236 North 18th Street
Sheboygan, WI 53081-3201 U.S.A.
Main Tel: 800.624.2051 or 920.457.4851
Main Fax: 800.752.5620 or 920.459.6573
Customer Service: 800.628.0830
Canada Customer Service: 800.695.8560

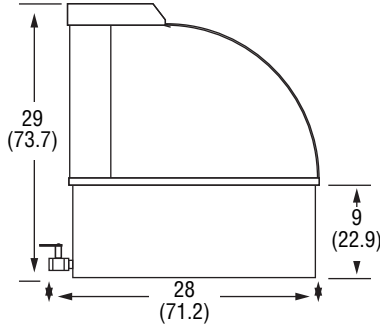
Technical Services
techservicereps@vollrathco.com
Induction Products: 800.825.6036
Countertop Warming Products: 800.354.1970
All Other Products: 800.628.0832

CAYENNE® BAIN MARIE DISPLAY CASE

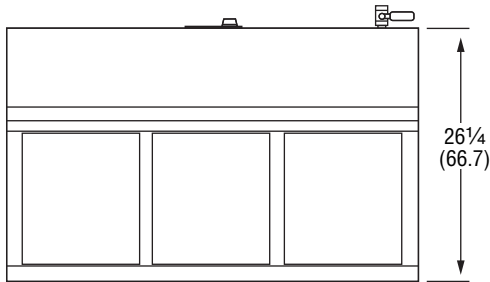
DIMENSIONS (Shown in inches (cm))



Front View



Side View

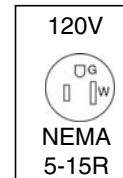


Top View

SPECIFICATIONS

Item No.	Cutout Dimension	Volts	Watts	Amps	Ship Weight LB (Kg)	NEMA Plug
40732	25" x 41" (63.5 x 104.1 cm)	120	1440	12.0	150 (68)	5-15P

Receptacle



Outperform every day.™

www.vollrath.com

The Vollrath Company, L.L.C.

1236 North 18th Street
 Sheboygan, WI 53081-3201 U.S.A.
 Main Tel: 800.624.2051 or 920.457.4851
 Main Fax: 800.752.5620 or 920.459.6573
 Customer Service: 800.628.0830
 Canada Customer Service: 800.695.8560

Technical Services
techservicereps@vollrathco.com
 Induction Products: 800.825.6036
 Countertop Warming Products: 800.354.1970
 All Other Products: 800.628.0832