

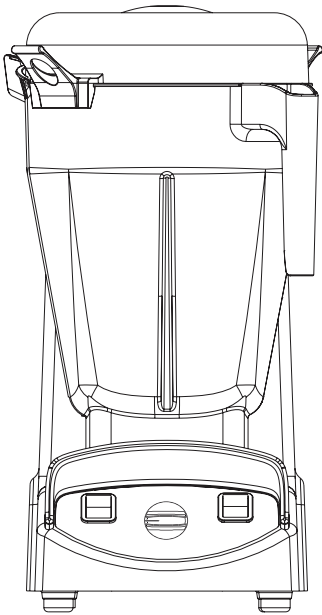


Vitamix XL[®]

ALL MODELS

Use and Care Manual

Read and save these instructions



ENGLISH

ESPAÑOL

FRANÇAIS

CONTENTS

English	1
Español	29
Français	57
Important Safeguards	4
General Instructions	6
Programmable Model	
All Models	
Maintenance Tips	
Blending Tips	
Control Panel	10
Programming	12
Programming Custom Chip	
Resetting Pre-Set Buttons	
Machine Assembly	13
Lid Assembly	
Safety Interlock	
Blade Assembly	
Accelerator Tool	
Caring for your Machine	17
Troubleshooting	20
Warranty	22
Parts List	26
Product Specifications	28

IMPORTANT SAFEGUARDS

1. Read all instructions.
2. To protect against risk of electrical shock, do not put motor base in water or other liquid.
3. Close adult supervision is necessary when machine is used by or near children.
4. Unplug the power cord from the wall outlet when the Vitamix® machine is not in use, before disassembling, when putting on or taking off parts, and before cleaning, other than washing the container.
5. Never touch moving parts.
6. Do not operate any machine that malfunctions, has a damaged cord or plug, has been dropped or is damaged in any manner. If you purchased your equipment in the U.S.A., call **Vitamix Technical Support, (800) 886.5235** for examination, repair, possible replacement, or electrical or mechanical adjustment. If you purchased outside of the U.S.A., please contact your local authorized Vitamix Distributor, or contact the Vitamix International Division at +1 (440) 782.2450 or email international@vitamix.com for a distributor near you.
7. The use of attachments, including canning jars, not recommended or sold by Vitamix may cause fire, shock, or injury. Do not use attachments not recommended or sold by Vitamix, doing so will void the warranty. **Alteration or modification of this product in any form is not recommended as such may result in bodily injury.**
8. **Do not use outdoors.**
9. Do not let the power cord touch hot surfaces or hang over edge of table or counter.
10. Do not place the machine on or near a hot gas or electrical burner, in a heated oven, or allow machine to touch hot surfaces. External heat sources can damage the machine.
11. Keep hands and utensils out of container while motor is running to prevent the possibility of severe personal injury and/or damage to the Vitamix machine. A rubber spatula may be used, but only when the Vitamix machine is not running.
12. **WARNING: Blades are sharp. Handle carefully.**
 - Never try to remove the blades while container is sitting on the motor base.
 - Do not operate with loose, nicked or damaged blades – replace immediately.
 - To reduce the risk of personal injury, never place blade assembly on motor base without the Vitamix container properly attached.
13. The maximum capacity is equivalent to the ounces (liters) listed on the container, and is substantially less with thick mixtures.
14. Container should not be more than $\frac{2}{3}$ full when the accelerator tool is left in place while blending. Do not exceed 30 seconds of continuous blending while accelerator tool is in place.
15. **CAUTION:** Cooling problems resulting in thermal shut-off and eventual motor damage may result if machine is operated in sound chambers other than those approved by Vitamix®.
16. When making nut butters or oil based foods, do not process for more than one minute after mixture starts circulating. Over processing can cause dangerous overheating as well as damage the container.
17. **Always operate the Vitamix machine with the lid in place and securely attached.**
18. **WARNING:** When processing hot liquids:
 - The two-part latching lid must be securely in place. This allows steam to escape naturally and will prevent the lid from coming off when the machine is turned on.

- Do not start on high speed or the highest speed setting. Always start hot liquids on low speed or the lowest setting, then increase speed as the machine is running.
- Use caution with hot liquids. Spraying from under the lid plug can occur, or escaping steam may cause scalding.
- Wear long sleeves and gloves for protection when pouring hot liquids and mixtures.

19. **CAUTION:** Turn power off or unplug the machine before touching movable parts. Shut off power switch at night or whenever machine will be left unattended.

Save These Safety Instructions

- The Vitamix blender's U.S.A. power cord comes equipped with a three-prong (grounding) plug which mates with a standard three-prong wall outlet (Figure A). **This cord will vary for countries outside the United States of America.**
- Adapters (Figure B) are available for two-prong outlets. Do not cut or remove the third (ground) prong from the plug or power cord.
- Consult your electrician if you are not sure if the wall outlet is grounded through the building wiring. With a properly grounded two-prong wall outlet, ground the machine by attaching the tab on the adapter to the wall outlet cover by means of the screw in the center of the cover (Figure B).



WARNINGS!

Three-prong adapters are not to be used in Canada.

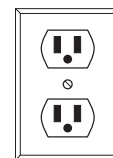


FIGURE A

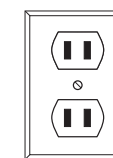


FIGURE B

IMPORTANT NOTES!

The instructions appearing in this Use and Care Manual cannot cover every possible condition and situation that may occur. Common sense and caution must be practiced when operating and maintaining any appliance.

GENERAL INSTRUCTIONS

Programmable Model

The basic settings of the program dial for the Vitamix XL® Programmable Model are detailed below. These programs, numbered 1 through 6, are blending cycles designed for the most common blending applications. Selecting one of the pre-set programs will run the machine for a full cycle. The machine will stop by itself when the cycle is complete. A cycle varies in speed and length. Your machine's pre-set options may differ due to program revisions or if your machine was programmed specifically for your business.

SETTING 1: Starts Low, ramps to High (100%) for 25 seconds (:30)

SETTING 2: Starts Low, ramps to High (100%) for 40 seconds (:45)

SETTING 3: Starts Low, ramps to High (100%) for 55 seconds (:60)

SETTING 4: Starts Low, ramps to High (100%) for 1 minute 25 seconds (1:30)

SETTING 5: Starts Low, ramps to High (100%) for 1 minute 55 seconds (2:00)

SETTING 6: Starts Low, ramps to High (100%) for 2 minute 55 seconds (3:00)

Vitamix XL® Blender Instructions (All Models)

1. Place liquids and soft foods in the container first. Placing wet ingredients towards the blades helps to start the vortex that allows the other ingredients to be pulled into the blades. Although not necessary for processing, cutting or breaking food into smaller pieces (1 to 3 in. / 3 to 8 cm) allows for more precise measuring of ingredients. Thawed or partially-thawed fruit is recommended. The highest speed is recommended for heavy-duty blending.
2. Set the container on the motor base by aligning it over the centering pad anchored to the base (**Motor must be completely stopped before positioning container**). Containers are not to be used for hard, dry materials. Avoid running your machine with the container empty.
3. Always use a lid when blending. If blending hot ingredients, the lid must be securely latched in place. When processing hot liquids, do not use a non-latching or one-piece lid.
4. To achieve the best blend, always make sure you fill the 1.5 gal. / 5,6 L container to the 48 oz. / 1,4 L level or higher with ingredients. If finished volume is less than 48 oz. / 1,4 L, use the Advance® container.
5. Plug the machine into the nearest outlet (if unplugged).
6. Follow instructions based on the specific model:
Vitamix XL® Programmable Model: Press the On/Off power switch to on. Activate a program by selecting the desired setting on the dial.
 - Push down on the Start/Stop switch.
 - To prevent possible splashing, lightly rest your hand on the lid while turning the machine on (except when processing hot liquids or mixtures).
 - Until you become accustomed to the speed, watch your mixture carefully to avoid over-blending.

- If during blending, the mixture seems too thick, remove the lid plug and slowly add liquid through the lid opening while processing.

Vitamix XL® Variable Speed Model: Select the desired setting on the speed dial. Depending on ingredients, start on a lower setting, then switch to a higher setting once the mixture begins processing.

- Set the On/Off switch to on.
 - Until you become accustomed to the speed, watch your mixture carefully to avoid over-blending.
 - The lower the speed, the coarser the blend. The higher the speed, the finer the blend. In order to avoid over processing, always start at the lowest variable speed and work your way up.
7. When blending hard to blend mixtures such as ginger paste, pesto, or mixtures using frozen ingredients, use the accelerator tool (see page 16) to help ingredients flow into the blades. Continuously moving the tool around in a circular motion during blending will help eliminate air pockets and encourage an even blend.
 8. After the blender has been stopped, wait until the blade comes to a complete stop before removing the lid or container from the motor base.
 9. To use the pulse switch:
 - **Vitamix XL® Programmable Model:** Make sure the power is on. With the container on the motor base, depress the pulse switch. Release the switch to stop the motor.
 - **Vitamix XL® Variable Speed Model:** Make sure the power is on. Turn the dial to the desired variable speed. With the container on the motor base, depress the pulse switch. Release the switch to stop the motor. Repeat multiple times until mixture is blended to desired consistency.
 10. Unplug the machine when not in use.



WARNINGS!

- When the machine is not in use, unplug the machine from the outlet.
- If you detect a change in the sound of the machine or if a hard or foreign object comes into contact with the blades, do not serve the contents. Inspect your blade assembly for loose, nicked or missing parts. If parts are loose, missing, or nicked, replace with a new blade assembly. (See page 15.)

When processing hot liquids always:

- Use caution. Escaping steam or splashes may scald.
- Lock the lid. This will prevent the lid from blowing off when the machine is activated.
- For the Vitamix XL® Variable Speed machine, start on Variable Speed 1 and quickly increase to 10. Never start on the highest speed when blending hot ingredients.

GENERAL INSTRUCTIONS

Maintenance Tips

- **Never bang the container against a surface to loosen the ingredients.**
Remove the container from the base and use a rubber spatula to remove thick mixtures from the bottom of your container.
- **Never shake or rattle a container while in use.**
- **Never remove the container before the machine has come to a complete stop.**
- **Never start the motor before the container is in place.**

IMPORTANT NOTES!

The automatic overload protection shuts the motor off to protect the motor. The motor may stop working if it is overloaded or overheated. If the motor shuts off, it could be due to:

- Recipe being too thick
- Recipe having too many ingredients in it
- Recipe was being processed too long at too low a speed

If the motor shuts off, review your processing techniques and your instructions.

Resettable Circuit Breaker: When the circuit breaker pops out, it does so to protect the motor from electrical overload. If this occurs, it can be easily reset by gently pushing it back into place.

Thermal Protector: The thermal protector may shut the motor off to protect it from overheating. To restart, wait for motor to cool down with the power off (up to 45 minutes). Cooling may be quickened by placing the motor base in a cool spot. (Unplug first.) To speed up the process, try circulating the air with a vacuum or fan aimed at the bottom of the base. If the motor seems to be overheating but the thermal overload protector has not turned the machine off, stop the machine and remove the container from the base. Set the dial to #10 for the Variable Speed machine or press the pulse switch for the Programmable machine. Turn the machine on and let the machine run for 1 minute. Be careful never to touch any moving parts while in use. If both protection devices are activated, follow the instructions for resetting the circuit breaker, and then cool the motor according to the instructions for the thermal protector.

Blending Tips

1. If your ingredients freeze up, try reducing the amount of ice. Compared to other blenders, you do not need as much ice to make an equally frozen drink in a Vitamix XL® blender.
2. Place liquids and soft foods in your container first. Hard items and ice should be placed last.
3. Whole, hard or frozen ingredients should be small. Solid frozen fruit is extremely difficult to blend. For best results, use semi-frozen fruit. Using same-size batches of semi-frozen fruit and ice will keep your drinks consistent. If you notice chunks, reevaluate the batch size.
4. When creating recipes, always allow for enough liquid to ease the blending process. For recipes with minimal liquid, use the Variable Speed Dial to run the machine on its lowest setting until it is processing smoothly.
5. When using the 1.5 gal. / 5,6 L container, both hands should be used when pouring. Slide one hand under the spout and use the other hand to hold the handle (Figure A).
6. When blending hot product, gloves and long sleeves should be worn when pouring (Figure A).
7. Start blending on low and increase to high. Processing recipes on high allows for efficient motor cooling.
8. If a recipe requires processing heavy blends at low settings, there is an increased possibility of engaging the thermal protector. To avoid thermal protector shutdown, when the motor seems to be heating-up, stop the machine and remove the container from the base. Turn the machine on high and let the machine run without the container. This will circulate air around the motor housing cooling the motor.

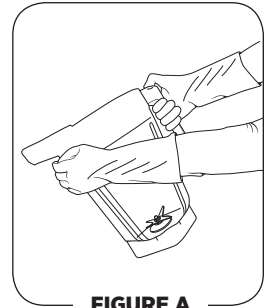


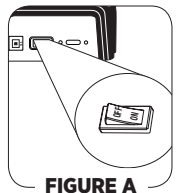
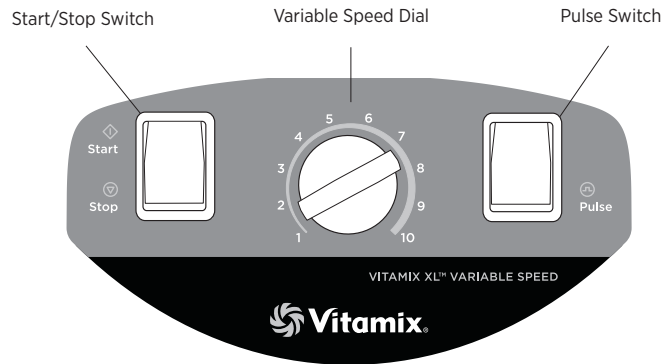
FIGURE A

IMPORTANT NOTES!

- Check your blades daily. If you find something is loose, nicked or missing, replace the blade assembly before use (see page 15). Do not tighten hex-headed screw (on top of blade assembly). If loose, replace blade assembly.
- The instructions appearing in this Use and Care Manual cannot cover every possible condition and situation that may occur. Common sense and caution must be practiced when operating and maintaining any appliance.

CONTROL PANEL

Vitamix XL® Variable Speed



Vitamix XL® Variable Speed

On/Off Power Switch: Located on the side of the machine (Figure A), the On/Off switch controls the power to the machine. While plugged in, switch to on to ready the machine for blending. Shut off the power switch at night or whenever the machine will be left unattended.

Start/Stop Switch: The Start/Stop switch is located on the left side of the control panel when facing the machine. Activate the machine by depressing the top of the switch to Start (◇), and stop the machine by depressing the bottom of the switch to Stop (Ⓢ). The Start/Stop switch will activate the machine at the selected Variable Speed Dial setting.

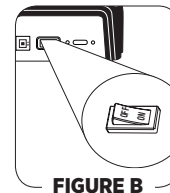
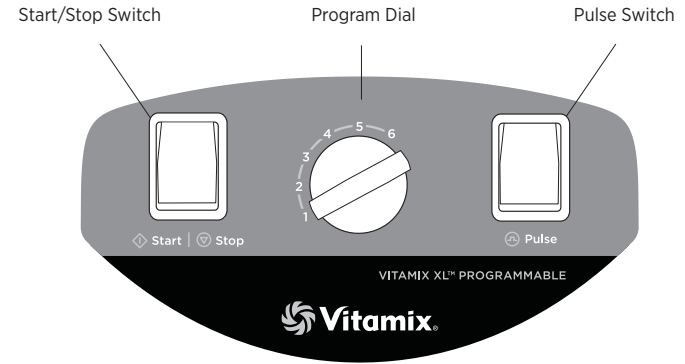
Variable Speed Dial: Allows the user to select continuously variable motor speeds.

Pulse Switch: The pulse (⏏) switch can only be used when the Start/Stop switch is in the stopped (Ⓢ) position. The pulse switch can be used to quickly refresh product in the container by depressing the switch and holding down as long as needed. When activated, the pulse switch operates the machine at the selected Variable Speed Dial setting.

IMPORTANT NOTES!

Vitamix machines come with several different control options. Please be sure you are following the instructions for your model.

Vitamix XL® Programmable



Vitamix XL® Programmable

On/Off Power Switch: Located on the side of the machine (Figure A), the On/Off switch controls the power to the machine. While plugged in, switch to on to ready the machine for blending. Shut off the power switch at night or whenever the machine will be left unattended.

Start/Stop Switch: The Start (◇)/Stop (Ⓢ) switch is located on the left side of the control panel when facing the machine. This is a lighted switch. When light is lit, power is on. Activate the machine by depressing the switch to run one of the six programs. The Start/Stop switch can be depressed to stop a program mid-blending cycle.

Program Dial: Allows user to select a number of pre-programmed settings. Blender will shut off automatically at the end of the program. Program is activated only when the power switch is on. See page 12 for programming details.

Pulse Switch: The pulse (⏏) switch is located on the right side of the control panel when facing the machine. Quickly refresh product in the container by depressing and holding the switch down as long as needed. The pulse switch can only be used when the power switch is on.

PROGRAMMING

The Vitamix XL® Programmable is pre-programmed with blending cycles that are optimized for a variety of applications. The programs can be customized by using a programming chip or programmer software kit available from Vitamix®. Call your distributor or Customer Service for more information.

Although your machine comes from the factory pre-set with the Vitamix XL® programs, follow these instructions when using a custom programming chip.

Programming with a Custom Chip

1. Turn the power to the machine on using the On/Off switch located on the side of the machine.
2. Remove the container and locate the programming port which is on the side of the machine next to the On/Off switch. Insert the custom programmed chip with the silver contact bars and the words, "This Side Facing to the Front of the Machine" up into the port located below the label area.
3. Within 5 seconds, the six pre-set programs will be re-programmed.
4. Remove the programming chip, return it to the original package and store in a safe, easily accessible spot.

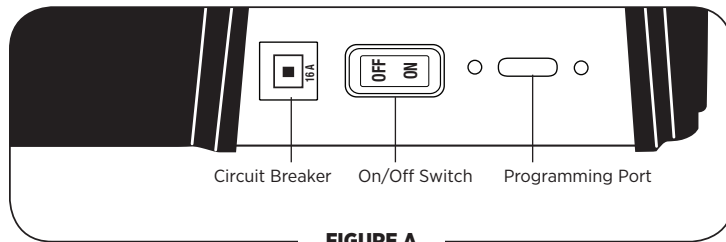


FIGURE A

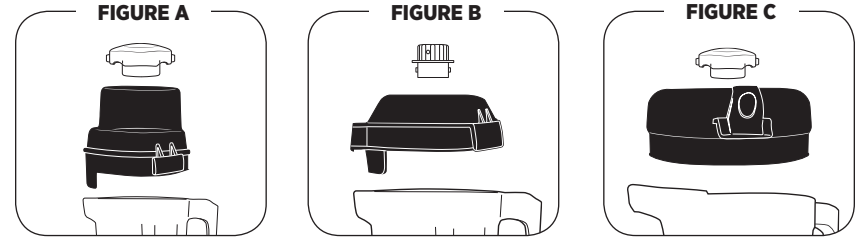
Resetting Pre-Set Programs to Factory Settings

1. Turn the power to the machine off using the On/Off switch located on the side of the machine.
2. Hold down the pulse switch while turning the power back on using the On/Off switch.

IMPORTANT NOTES!

Programming Chip: If the above programming steps are taken and the custom programming does not appear with the first blend cycle, turn the chip 180° (side-to-side) and try again.

MACHINE ASSEMBLY



Lid Assembly

Two-Piece Accelerator Tool Lid, 64 oz. / 2,0 L Advance® Container

- To secure lid, place on top of container and gently press down until lid snaps into place, making sure the latches are secured around the top of the container rim.
- To remove a fully latched lid, lift one of the two tabs and pull upward and off.
- Twist the center lid plug to fasten or remove.
- The lid plug can be removed when using the accelerator tool or adding ingredients.

Two-Piece Lid (optional), 64 oz. / 2,0 L Advance® Container

- To secure lid, place on top of container and gently press down until lid snaps into place, making sure the latches are secured around the top of the container rim.
- To remove a fully latched lid, lift one of the two tabs and pull upward and off.
- Twist the center lid plug to fasten or remove.
- Do not use with accelerator tool.

Two-Piece Lid, 1.5 gal. / 5,6 L Container

- To secure lid, place on top of container and gently press down until lid snaps into place, making sure the latches are secured around the top of the container rim.
- To remove a fully latched lid, lift one of the two tabs and pull upward and off.
- Twist the center lid plug to fasten or remove.
- The lid plug can be removed when using the accelerator tool or adding ingredients.

IMPORTANT NOTES!

Containers: Vitamix XL® blenders are optimized for use with the 1.5 gal. / 5,6 L and Advance® 64 oz. / 2,0 L containers. Other Vitamix standard containers (64 oz. / 2,0 L, 48 oz. / 1,5 L, or compact 32 oz. / 0,9 L) are not compatible. Call Vitamix Customer Service or your distributor for more information.

Lids: To make new lids easier to insert and remove, rub a light coating of cooking oil around the rim where it seals. Place it on a container for several minutes, remove and lightly wipe oil off lid.

MACHINE ASSEMBLY

Safety Interlock

The interlock is supplied only for those countries requiring this feature. With the machine plugged into the nearest outlet, the magnetic safety lock will disengage the power supply to the motor when the safety lid is lifted into an upright position while placing the container on the centering pad (Figure A).

Power is engaged whenever the safety lid is lowered onto the container lid (Figure B). The accelerator tool can be used through the safety lid and container lid while blending.

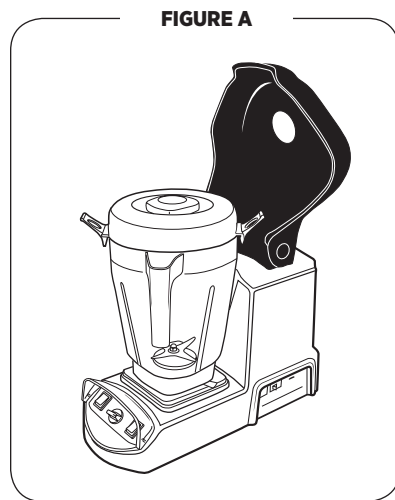


FIGURE A
Safety Interlock lid in the open position. Machine power disengaged.

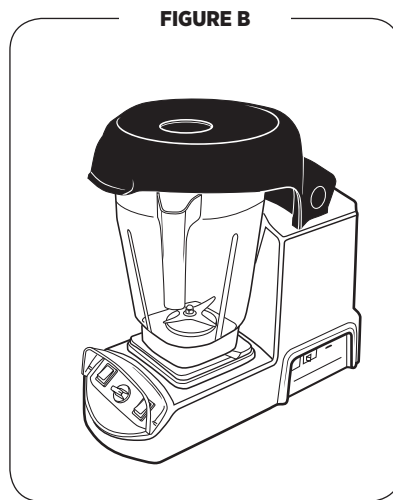


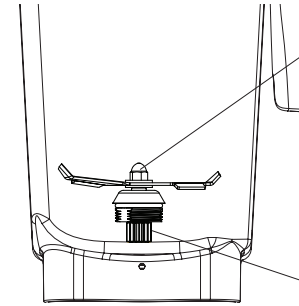
FIGURE B
Safety Interlock lid in the closed position. Machine power is engaged.



WARNINGS!

Do not run the machine without the container lid when using the interlock.

Blade Assembly

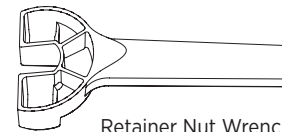


Blade Agitator Assembly: The blade assembly includes a precision-hardened stainless steel blade with enclosed double sealed steel ball bearings for maximum durability. The rugged blade assembly literally explodes molecules of food and ice in the container, helping every batch to homogenize more effectively. The blades do not need to be removed for normal cleaning. (Refer to the information below to remove or replace.)



Drive Spline: Inserts into drive socket on the motor base to turn the blade.

Note: Removing and replacing your container while the coupling is still rotating will strip the drive spline “teeth.” **(This part is NOT removable.)**

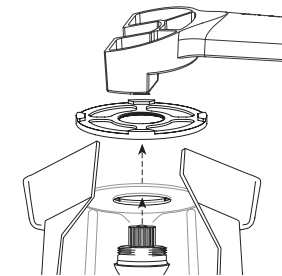


Retainer Nut Wrench

Retainer Nut: Must be snug. Order the available Retainer Nut Wrench for best results. (Refer to the information below to remove or replace.)

Blade Assembly Removal

At times, it may be necessary to give your blades additional cleaning. An easy-to-use blade assembly removal wrench (Item #15596) may be purchased. Turn the container upside down and grip firmly. Insert retainer nut wrench in groove of retainer nut and rotate counterclockwise to loosen. Then grip blades with a cloth and remove retainer nut by hand.



Retainer Nut Wrench in use

Replacing Blade Assembly: With the container upside down, grip blades with cloth, insert into the container bottom and align with flat sides of container opening. Place retainer nut on and hand tighten. Using the retainer nut wrench, carefully turn clockwise until secure, using wrench.

Do not force. If it is not tight enough, you will notice increased container noise.



WARNINGS!

Never use a blade assembly with loose, damaged or nicked components.

Caution: Do not remove blades or blade assembly unless absolutely necessary! Never attempt to take the blade assembly itself apart. This will void the warranty.

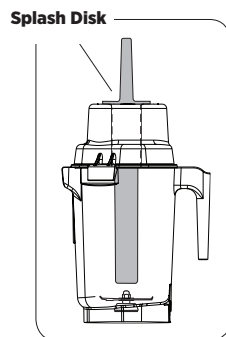
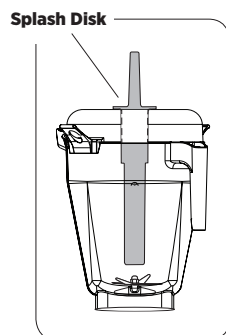
MACHINE ASSEMBLY

Accelerator Tool

The accelerator tool prevents an air bubble from forming while blending and allows for the processing of very thick and/or difficult-to-process frozen mixtures. While the machine is running, use the accelerator tool to push ingredients into the blades.

Using the Accelerator Tool:

- If thick mixtures stop circulating, you may have trapped an air bubble. Insert the accelerator tool through the lid and stir to release it.
- Use it only with the lid locked in place and lid plug removed.
- The splash disk (near the top of the accelerator tool) and lid prevent the accelerator tool from hitting the blades.
- The container should not be more than $\frac{2}{3}$ full when the accelerator tool is used.
- Do not use the accelerator tool for more than 30 consecutive seconds (to avoid overheating).
- Holding the accelerator tool straight should allow extra-thick ingredients to circulate. If not, point the accelerator tool toward the side or corner of the container.



WARNINGS!

Do not force the accelerator tool into the container. Excessive force may cause the accelerator tool to extend too far into the container and may cause damage to the blades.

Do not use the older accelerator tool that has a straight and smooth surface and no "step." Use of the older model may cause damage to the blades.

When processing hot liquids or mixtures:

- The two-part latching lid must be securely locked in place. Do not use the one piece lid or a non-latching lid. This allows steam to escape naturally and will prevent the lid from coming off when the machine is turned on.
- Do not start processing hot liquids on high speed. Always start processing hot liquids on low speed, then switch to high speed while the machine is running.
- Use caution with hot liquids. Liquids may spray from under the lid plug or escaping steam may cause scalding.

CARING FOR YOUR MACHINE

Cleaning Products

Solid Supra, Solid Power, _____
Guardian Acclaim, Solid Guardian Plus,
Solid Super Impact, Solid Insure

Diverpak _____
Eclipse H2, Liqui-Safe L7
Acclean
Poly-Brite

Glow MB-1 _____
Lustre NC-25
Lustre Plus

PSRA 41-D, PSRA 41-E _____
Liqui-Ware 1, Liqui-Ware MC
D-Flex, Sur-Met

Rinse Aids

Solid Rinse Dry, Solid Brilliance, _____
Jet Dry, Rinse Dry

Destainer

NuWare _____

Suppliers in U.S.A.

Ecolab, Inc., St. Paul, MN
800-352-5326
www.ecolab.com

Diversey, Livonia, MI
800-521-8140

Wesmar Company, Inc.
Seattle, WA 206-783-5344
www.wesmar.com

Anderson Chemical Co.
Litchfield, MN
800-366-2477
www.andersonchemical.com

Ecolab, Inc., St. Paul, MN
800-352-5326
www.ecolab.com

Diversey, Livonia, MI
800-521-8140

IMPORTANT NOTES!

Cleaning Products: Do not use abrasive cleaning agents or concentrated bleach when cleaning. Do not use any cleaners containing quaternary sanitizers on polycarbonate components (i.e., Advance containers, covers). Do not use any of the following cleaning products: automatic dishwashing detergents, oven cleaners, steel wool or other abrasive pads.

CARING FOR YOUR MACHINE

Motor Base/Control Panel

1. **Unplug the power cord.**
2. Gently wash the outside surface with a damp soft cotton cloth moistened with a mild solution of warm water and nonabrasive detergent or nonabrasive liquid spray cleaner. **Never immerse motor base in water or other liquid.**
3. Thoroughly clean switches so that they work freely. They may become sticky from use. Unplug the machine and use a wet cloth, moistened with water* and a mild detergent, to clean around the edges of the switch paddles until they function freely. Work the switches back and forth a few times to loosen any dried residue under switch. Leaving switches sticky will damage or burn out the switches. Clean carefully, using caution not to allow water or other liquids to infiltrate the switch.
4. Dry with a soft cotton cloth.

Container and Lid

Separate the lid and plug. Wash in warm soapy water. Rinse clean under running water and dry. Reassemble before use. (See page 13.)

1. **To Clean:** Fill container $\frac{1}{4}$ full with warm (110° F / 43° C) water and add a couple drops of liquid dishwashing detergent.** Return container to motor base and firmly position the two-piece lid. Run machine for 30 seconds. Empty container. Repeat this step.
2. **To Rinse:** Fill container $\frac{3}{4}$ full with warm (110° F / 43° C) water, do not add soap. Return container to motor base and firmly position the two-piece lid. Run machine for 30 seconds. Empty container.
3. If any solid residue remains, remove the blade assembly (see page 15) and wash all container parts in warm soapy water. Rinse and drain. Reassemble before next step. Do not soak the blade assembly.
4. **To Sanitize:** If all solid residue is gone after step 2 or after completion of step 3, fill container $\frac{3}{4}$ full with a sanitizing solution mix.*** Return container to motor base and firmly position the two-piece lid. Run machine on a high speed for 30 seconds. Turn machine off and allow mixture to stand in the container for an additional 1 $\frac{1}{2}$ minutes. Pour out sanitizing solution. Return container to motor base and run machine empty for an additional 5 seconds. Do not rinse after sanitizing. Allow container to air dry.

Safety Interlock Lid (select machines)

Clean with a damp cloth while in place on the machine or for a more thorough cleaning lift the safety lid out of the slots on the side of the machine and wash with mild dish detergent. Reassemble before use. Do not wash in dishwasher.

IMPORTANT NOTES!

- * Be sure to wring excess water out of cloth or sponge when cleaning around the controls or any electrical part.
- ** To prolong container life, Vitamix® recommends using soaps with a low Ph balance, such as a liquid dishwashing detergent (Ivory Liquid®).
- *** Recommended sanitizing solution: 1.5 tsp. / 7,4 ml institutional or household bleach in 2 qt. / 2,0 L water.



WARNINGS!

Cover: Do not wash cover door, handle or back cover in dishwasher. It is recommended that the handle not be disassembled during cleaning. However, if you choose to disassemble the handle from the cover, make sure to not over-tighten it when reattaching it to the cover. Doing so will cause damage.

Container: Do not let mixtures, liquids or food products dry in the container. Rinse after use. Dry product may lock around the blade and weaken/tear the bearings seal when restarted. Do not place containers in the freezer. Extremely low temperature combined with hot ingredients and/or the immediate rapid action of the blade may crack the container. Due to the nature of polycarbonates used in the Advance containers and the sound cover assembly, microwaving and automatic dishwashing are not recommended.

TROUBLESHOOTING

Problems:	Possible Actions:
<ul style="list-style-type: none"> Increased vibration Leaking from bottom of container Increased container noise 	<ol style="list-style-type: none"> Check blade assembly for loose, damaged or nicked components and replace. Tighten retainer nut with retainer nut wrench moving clockwise until it is snug. See page 15.
<ul style="list-style-type: none"> Machine will not run 	<ol style="list-style-type: none"> Double-check to make sure power cord is firmly in power outlet. Check to make sure the On/Off Switch is in the on position. Check to make sure switches are clean and moving freely. The thermal protector may have shut the machine off. Turn power off for up to 45 minutes to reset. Note: Cooling may be quickened by placing the motor base in a cool spot. (Unplug first.) Try circulating the air with a vacuum or fan aimed at the bottom of the motor base.
<ul style="list-style-type: none"> Loud noise from blade area Blades don't spin 	<ol style="list-style-type: none"> Drive socket may be broken. Check for a fine crack down the center or worn teeth, replace with a new drive socket (Item #891). Instructions are included with part. Blade bearings need to be replaced. Spin the blades using the drive spindle at the bottom of the container. If blades spin freely with no resistance, replace blade assembly. See page 15. Drive spindle on the blade assembly may be worn. Check for worn teeth on the drive spindle of the blade assembly. Replace blade assembly. See page 15.
<ul style="list-style-type: none"> Loud grinding noise from the blender motor 	<p>Motor bearings need to be replaced. Call Vitamix® Customer Service.</p>
<ul style="list-style-type: none"> Machine does not start when safety interlock is engaged. (select machines) 	<ol style="list-style-type: none"> Double-check to make sure power cord is firmly in power outlet. Check to make sure the On/Off Switch is in the on position. Check to make sure switches are clean and moving freely. Make sure the Safety Lid is in the lowered position and the lid is firmly seated in the motor housing slots.

Problems:	Possible Actions:
<ul style="list-style-type: none"> Machine is running irregularly Machine starts by itself Machine was turned off for a period of time and turned on, but there is no power Machine did not work right out of the box Setting selected starts the wrong program (Programmable model only) 	<ol style="list-style-type: none"> Try plugging the machine into a new outlet. Reset the machine to its original factory settings. See page 12. (Programmable model only) Machine may stop working if it is overloaded on low speed. To cool the motor, reset by turning power off for up to 45 minutes. Call Vitamix Customer Service.

If you cannot fix your machine with these suggestions, technical help is available by calling Vitamix® technical support at (800) 886.5235. If you purchased your equipment outside the U.S.A., contact your local Vitamix Distributor or telephone the Vitamix International Division at +1 (440) 782.2450 or email international@vitamix.com for a distributor in your country. For online help, visit vitamix.com.

IMPORTANT NOTES!

The automatic overload protection shuts the motor off when the resettable circuit breaker pops out. It does so to protect the motor from overheating. If the motor shuts off, it could be do to:

- Recipe being too thick
- Recipe having too many ingredients in it.
- Recipe was being processed too long at too low a speed

Thermal Protector: The thermal protector may shut the motor off to protect it from overheating. To restart, wait for motor to cool down with the power off (up to 45 minutes). Cooling may be quickened by placing the motor base in a cool spot. (Unplug first.) To speed up the process, try circulating the air with a vacuum or fan aimed at the bottom of the base. If the motor seems to be overheating but the thermal overload protector has not turned the machine off, stop the machine and remove the container from the base. Set the dial to #10 for the Variable Speed machine or press the pulse switch for the Programmable machine. Turn the machine on and let the machine run for 1 minute. Be careful never to touch any moving parts while in use.

If both protection devices are activated, follow the instructions for resetting the circuit breaker, and then cool the motor according to the instructions for the thermal protector.

WARRANTY

MAINTAINING YOUR VITAMIX BLENDER

In order to maximize the life of and keep your Vitamix® product in good working order, it is important that you follow a few simple maintenance tips:

1. Periodically inspect the drive socket for visible wear and tear, cracks, or breaks to the socket. If damage is found, replace the drive socket with the extra drive socket enclosed with your blender. To purchase additional replacement drive sockets, contact Vita-Mix® Corporation (hereinafter “Vitamix”) at (800) 866.5235 for a dealer near you. For customers outside the U.S.A., contact your authorized Vitamix Distributor, or call the Vitamix International Division at +1 (440) 782.2450 or email international@vitamix.com for a distributor near you.
2. Manually rotate the blade bearing assembly to make sure it turns without hesitation or doesn't spin too freely. If the blade hesitates or spins too freely, contact Vitamix for warranty information or a dealer near you.
3. Never run the machine without the centering pad properly placed on the base and never remove the container from the base before blending is complete and blades have stopped moving.

LIMITED WARRANTY *(Unless otherwise covered by Contract)*

Vita-Mix® Corporation (hereinafter “Vitamix”) warrants to the original end-user (“Purchaser”) that its commercial Vitamix blenders (consisting of a motor base, container and lid, hereinafter collectively referred to as the “Equipment”) will be free from defects in material and workmanship for the warranty periods applicable to the Equipment as described herein and subject to the conditions set forth below. Proof of purchase is required.

The following are the sole remedies of the Purchaser and set forth the only warranty obligations of Vitamix.

No employee of Vitamix or any other person is authorized to make any warranty in addition to or amendment of the following warranties.

WHAT IS COVERED UNDER THE WARRANTY

A. Motor Base Warranty (which includes the control board and touch pad):

Vitamix warrants to the original end-user that:

- If the motor base fails due to defects in material or workmanship within thirty (30) days from the date of purchase, then Vitamix will replace the motor base with a new motor base.
- If the motor base fails due to defects in material or workmanship after thirty (30) days from the date of purchase but within one (1) year from the date of purchase, then Vitamix will assume the cost of all parts and labor necessary to repair the motor base.
- If the motor base fails due to defects in material or workmanship after the first year but within three (3) years from the date of purchase, then Vitamix will assume the cost of all parts necessary to repair the motor base.

B. Container, Lid, Lid Plug, Centering Pad, Blade Assembly, Drive Socket,

and Sound Enclosure Warranty (if included): Vitamix warrants to the original end-user that if a sound enclosure, container, lid, blade assembly, or drive socket fails due to a defect in materials or workmanship within one (1) year from the date of purchase, Vitamix will assume the cost of all parts and labor necessary to repair the component.

The sole obligation of Vitamix under these warranties is to repair or replace the warranted part or parts as determined exclusively by Vitamix.

IN NO EVENT, WHETHER BASED ON CONTRACT, INDEMNITY, WARRANTY, TORT (INCLUDING NEGLIGENCE), STRICT LIABILITY OR OTHERWISE, SHALL VITAMIX BE LIABLE FOR ANY SPECIAL, INDIRECT, INCIDENTAL OR CONSEQUENTIAL DAMAGES WHATSOEVER INCLUDING, WITHOUT LIMITATION, LOSS OF PROFIT OR REVENUE. THE ABOVE LIMITED WARRANTY IS YOUR EXCLUSIVE REMEDY, AND YOU AND VITAMIX HEREBY EXPRESSLY DISCLAIM ALL OTHER WARRANTIES OR CONDITIONS, EXPRESS OR IMPLIED, STATUTORY OR OTHERWISE, INCLUDING ANY IMPLIED WARRANTY OF MERCHANTABILITY AND ANY IMPLIED WARRANTY OF FITNESS FOR A PARTICULAR PURPOSE, AND, WITHOUT LIMITING THE GENERALITY OF THE FOREGOING, YOU AND VITAMIX HEREBY EXPRESSLY EXCLUDE, TO THE EXTENT PERMITTED BY LAW, THE APPLICATION OF ANY SALE OF GOODS LEGISLATION AND THE UNITED NATIONS CONVENTION ON CONTRACTS FOR THE INTERNATIONAL SALE OF GOODS, AS MAY BE APPLICABLE.

Some jurisdictions do not allow a limitation on implied warranties or on special, incidental or consequential damages.

WHAT IS NOT COVERED UNDER THE WARRANTY *(Coverage Exclusions)*

These warranties do not include repairs needed due to:

- A. Normal wear-and-tear;
- B. Abuse, misuse, negligent use;
- C. Alteration of the Equipment including but not limited to the motor base, container, lid or sound enclosure;
- D. Exposure to extreme conditions; or
- E. Improper installation of the Equipment, including but not limited to poor workmanship, not following specifications provided and/or inadequate ventilation of the “In-Counter” models of the blending unit.

WHEN DO THE WARRANTIES APPLY *(Coverage Conditions)*

The warranties contained herein run only to the original end-user and are not transferable. To make a warranty claim, proof of purchase is required.

Any warranty offered by Vitamix is only valid if used in accordance with: a) the owner's manual that may also be accessed at vitamix.com; b) the express warranty; and c) any and all maintenance instructions regardless of when they are supplied.

LIMITED WARRANTY continues on page 24 ▶

WARRANTY

WHAT CAUSES THE WARRANTY TO BE VOID

All product warranties are void if:

- The blender is placed in a sound enclosure not manufactured by Vitamix.
- Any component of a covered piece of Equipment or part has been modified, altered, “reconditioned” or repaired by persons someone other than Vitamix, an authorized Vitamix Service Center or an authorized Vitamix Distributor.
- Any covered Vitamix component is used with a component not expressly authorized in writing by Vitamix (i.e. using a Vitamix container with a non-Vitamix motor base and/or using a Vitamix motor base with a non-Vitamix container); or
- Any part of the blender is improperly installed, including but not limited to poor workmanship, not following specifications provided and/or inadequate ventilation of the “In-Counter” models.

HOW TO OBTAIN WARRANTY COVERAGE AND REPAIR

Who to Contact For Warranty Service and Repair: In the event your Vitamix blender needs service or repair covered by the terms of this warranty, please call Vita-Mix Corporation, an authorized service center or a local distributor for warranty assistance.

- **For Equipment purchased and located in the U.S.A.:**
Call Vitamix Technical Support: (800) 886.5235.
- **For Equipment purchased outside the continental U.S.A.:**
Contact your authorized Vitamix Distributor or the Vitamix International Division at +1 (440) 782.2450 or email international@vitamix.com for a distributor near you.

You will be asked to provide proof of purchase for the Equipment. If the remote technical support team cannot fix the Equipment remotely, the Equipment will need to be serviced. The team will help you either locate an authorized service center or arrange for the Equipment to be shipped back to Vitamix.

HOW TO SHIP THE EQUIPMENT TO VITAMIX FOR SERVICE

- A. Obtain a Return Authorization Number Before Shipment.** Do not return or send in Equipment without the approval from Vitamix. Under no circumstances will Vitamix be responsible for the cost of any unauthorized repairs. All Equipment returns must have the Return Authorization Number (“RA”) clearly marked on the outside of the box. Any Equipment that is sent to Vitamix without prior authorization or approval will be returned to the shipper’s address “as is” without repair.
- B. Properly Package The Returned Item.** Any item sent to Vitamix must be sent in original or sufficient packaging.

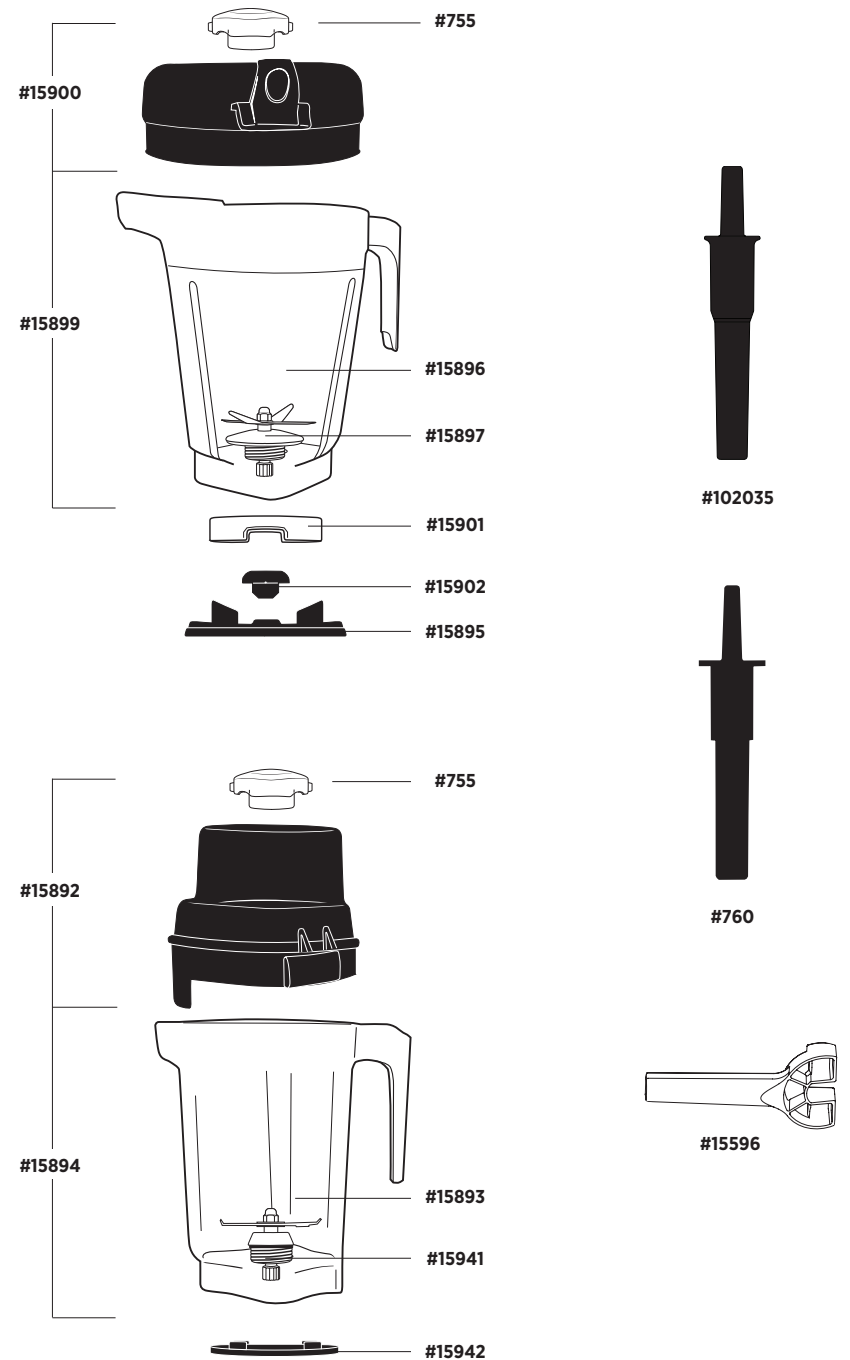
PARTS LIST

Vitamix XL®

- #15900** Lid and plug for 1.5 gal. / 5,6 L container
- #15899** 1.5 gal. / 5,6 L container, blade assembly and lid assembly
- #15896** 1.5 gal. / 5,6 L container only
- #15897** Vitamix XL® blade agitator assembly for 1.5 gal. / 5,6 L container
- #15901** Retainer nut for 1.5 gal. / 5,6 L container
- #15892** Accelerator tool lid and plug for 64 oz. / 2,0 L Advance® container
- #15894** 64 oz. / 2,0 L Advance® container, blade assembly and accelerator tool lid assembly
- #15893** 64 oz. / 2,0 L container only
- #15941** Vitamix XL® blade agitator assembly for Advance® container
- #15942** Retainer nut for Advance® container (for Vitamix XL® only)
- #15902** Drive socket
- #15895** Vitamix XL® centering pad
- #755** Lid plug for 1.5 gal. / 5,6 L container and Advance® container
- #760** Accelerator tool
- #102035** Accelerator tool (for machines with the safety interlock only)

IMPORTANT NOTES!

- Outside the U.S.A. and Canada, your machine may come with a different container configuration. Contact your local Vitamix Distributor for item numbers.
- Other than the drive socket, blade assembly and retainer nut, this unit is not user serviceable.



SPECIFICATIONS

Vitamix XL®

Electrical Requirements:

- 120 V, 50/60 Hz, 15 amps
- Uses a U.S.A. three-prong grounded cord.
- 20 amp outlet per machine is recommended.

Do not use extension cords with machine.

- 220 - 240 V, 50/60 Hz, 1700 - 1900 Watts
- 100 V (Japan), 50/60 Hz, 1300 Watts

Dimensions:

- 18.1 in. / 45,6 cm high with lid
- 18.6 in. / 47,3 cm high with interlock closed
- 26.6 in. / 67,6 cm high with interlock open
- Depth: 19.0 in. / 48,3 cm
- Width: 8.5 in. / 21,6 cm

When applicable:



To see the complete line of Vitamix® products,
visit vitamix.com



Vita-Mix® Corporation Commercial Division

8615 Usher Road, Cleveland, Ohio 44138 U.S.A.
Tel: +1 (440) 235.0214 Email: commercial@vitamix.com

©2012 Vita-Mix Corporation. No part of this publication may be reproduced or transmitted in any form or
by any means or stored in a database or retrieval system without the written permission of the Vita-Mix Corporation.

Printed in the U.S.A. 102866 12/12

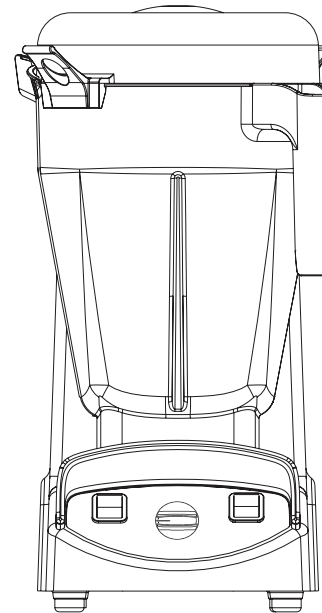


Vitamix XL®

TODOS LOS MODELOS

Manual de uso y cuidado

Lea y conserve estas instrucciones



ENGLISH

ESPAÑOL

FRANÇAIS

CONTENIDO

English	1
Español	29
Français	57
Precauciones importantes	32
Instrucciones Generales	34
Modelo programable todos los modelos	
Consejos para el mantenimiento	
Consejos para licuar	
Panel de Control	38
Programación	40
Programación con un chip personalizado	
Restablecimiento de los botones preestablecidos	
Montaje de la Máquina	41
Conjunto de la tapa	
Interbloqueo de seguridad	
Conjunto de cuchillas	
Herramienta aceleradora	
Cuidado de la Máquina	45
Solución de Problemas	48
Garantía	50
Lista de Piezas	54
Especificaciones del Producto	56

PRECAUCIONES IMPORTANTES

1. Lea todas las instrucciones.
 2. Para protegerse contra las descargas eléctricas, no coloque la base de motor en agua ni en ningún otro líquido.
 3. Si la máquina es utilizada por niños, o se usa cerca de ellos, es necesaria la supervisión por parte de un adulto.
 4. Desenchufe el cable eléctrico del tomacorriente mural cuando no utilice la máquina Vitamix®, antes de desmontarla, al colocarle o extraerle piezas y antes de limpiarla, a menos que desee lavar sólo el vaso.
 5. Nunca toque las piezas móviles.
- No haga funcionar ninguna máquina que esté defectuosa, que tenga el cable o el enchufe averiados, que se haya caído o dañado de algún modo. Si adquirió su equipo en los EE.UU., llame al **Servicio Técnico de Vitamix al (800) 886.5235** para la revisión, la reparación, el posible reemplazo o el ajuste mecánico o eléctrico de la máquina. Si lo adquirió fuera de los EE.UU., comuníquese con el Distribuidor autorizado de Vitamix o con la División Internacional de Vitamix llamando al +1 (440) 782.2450 o enviando un correo electrónico a international@vitamix.com para encontrar un distribuidor cerca de su domicilio.
6. El uso de accesorios, incluyendo frascos para conservas no recomendados ni vendidos por Vitamix puede causar incendio, descargas o lesiones. No use accesorios no recomendados ni vendidos por Vitamix, ya que anulará la garantía. **No se recomienda alterar ni modificar este producto en modo alguno, ya que ello puede causar lesiones.**
 7. **No utilice el producto a la intemperie.**
 8. No deje que el cable eléctrico toque superficies calientes ni cuelgue sobre el borde de la mesa ni del mostrador.
 9. No coloque la máquina sobre ni cerca de quemadores calientes eléctricos o a gas, dentro de un horno calentado ni deje que entre en contacto con superficies calientes. Las fuentes de calor externas pueden dañar la máquina.
 10. Mantenga las manos y los utensilios fuera del vaso cuando el motor esté funcionando para evitar posibles lesiones graves y/o daños a la máquina Vitamix. Se puede usar una espátula de goma, pero sólo cuando la máquina no esté funcionando.
 11. **ADVERTENCIA: Las cuchillas son filosas. Manipúlelas con cuidado.**
 - Nunca intente quitar las cuchillas si el vaso está puesto en la base de motor.
 - No haga funcionar la máquina con cuchillas sueltas, melladas o dañadas; reemplácelas de inmediato.
 - Para reducir el riesgo de lesiones, nunca coloque el conjunto de cuchillas en la base de motor si el vaso Vitamix no está correctamente instalado.
 12. La capacidad máxima equivale a la cantidad de onzas (litros) que aparece en el vaso, y es considerablemente menor con mezclas espesas.
 13. El vaso no debe llenarse más de $\frac{3}{4}$ de su capacidad cuando la herramienta aceleradora esté en su lugar durante el licuado. No exceda los 30 segundos de licuado continuo mientras la herramienta aceleradora esté en su lugar.
 14. **PRECAUCIÓN:** Si la máquina se opera en cámaras silenciadoras distintas de las aprobadas por Vitamix®, pueden producirse problemas de enfriamiento derivados del apagado térmico, los cuales causarán finalmente daños al motor.
 15. Cuando prepare mantequillas de nueces o alimentos a base de aceite, no procese la mezcla por más de un minuto una vez que esta comience a circular. El procesamiento excesivo puede causar sobrecalentamiento peligroso y daños al vaso.
 16. **Siempre haga funcionar la máquina Vitamix con la tapa firmemente puesta.**

17. **ADVERTENCIA:** Al procesar líquidos calientes:
 - La tapa de dos piezas con pestillo debe estar firmemente en su lugar. Esto permite que el vapor escape de manera natural y evitará que la tapa se salga al encenderse la máquina. No comience a procesar a alta velocidad ni en el ajuste de mayor rapidez. Siempre comience a procesar los líquidos calientes a baja velocidad o en el ajuste de menor rapidez, luego vaya aumentándola a medida que la máquina va funcionando.
 - Tenga cuidado con los líquidos calientes. Puede salir líquido rociado por debajo del tapón de la tapa o escapar vapor causando quemaduras.
 - Use prendas de manga larga y guantes para protegerse al verter líquidos y mezclas calientes
18. **PRECAUCIÓN:** Apague el suministro eléctrico o desenchufe la máquina antes de tocar las piezas móviles.

Conserve estas instrucciones de seguridad

- El cable eléctrico para EE.UU. de la licuadora Vitamix viene con un enchufe de tres clavijas (con conexión a tierra) que encaja perfectamente en un tomacorriente mural de tres orificios (Figura A). **Fuera de los Estados Unidos este cable variará según el país dado.**
- Se ofrecen adaptadores (Figura B) para tomacorrientes de dos orificios. No corte ni quite la tercera clavija (conexión a tierra) del enchufe ni del cable eléctrico.
- Consulte a un electricista si no sabe con seguridad si el tomacorriente mural está conectado a tierra mediante el cableado del edificio. Con un tomacorriente mural de dos orificios conectado a tierra correctamente, ponga a tierra la máquina empalmado la lengüeta del adaptador a la cubierta del tomacorriente, utilizando el tornillo ubicado en el centro de la cubierta (Figura B).

¡ADVERTENCIAS!

En Canadá, no se deben usar adaptadores para tres clavijas.

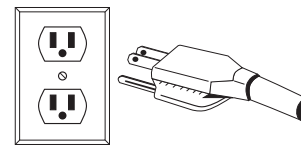


FIGURA A

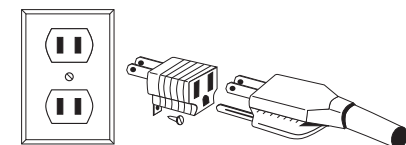


FIGURA B

¡NOTAS IMPORTANTES!

Las instrucciones que aparecen en este manual de uso y cuidado no pueden abarcar todas las condiciones y situaciones posibles que puedan presentarse. Use el sentido común y tome las medidas de precaución necesarias al operar y dar mantenimiento a cualquier aparato electrodoméstico.

INSTRUCCIONES GENERALES

Modelo Programable

A continuación se detallan los ajustes básicos del selector de programas para el modelo Programable Vitamix XL®. Estos programas, numerados del 1 al 6, son ciclos de licuado diseñados para las tareas de licuado que se realizan con mayor frecuencia. Al seleccionarse uno de los programas preestablecidos, la máquina funcionará durante un ciclo completo. Se detendrá automáticamente al finalizar el ciclo. La duración y la velocidad de los ciclos varían. Las opciones preestablecidas de la máquina pueden diferir debido a las modificaciones del programa o si la máquina se programó específicamente para su uso particular.

AJUSTE 1: Comienza a baja velocidad, aumenta a alta (100%) durante 25 segundos (:30)

AJUSTE 2: Comienza a baja velocidad, aumenta a alta (100%) durante 40 segundos (:45)

AJUSTE 3: Comienza a baja velocidad, aumenta a alta (100%) durante 55 segundos (:60)

AJUSTE 4: Comienza a baja velocidad, aumenta a alta (100%) durante 1 minuto y 25 segundos (1:30)

AJUSTE 5: Comienza a baja velocidad, aumenta a alta (100%) durante 1 minuto y 55 segundos (2:00)

AJUSTE 6: Comienza a baja velocidad, aumenta a alta (100%) durante 2 minutos y 55 segundos (3:00)

Instrucciones para licuadoras Vitamix XL® (todos los modelos)

1. Primero coloque los líquidos y alimentos blandos en el vaso. El colocar los ingredientes húmedos hacia las cuchillas ayuda a iniciar el vórtice que permite atraer los demás ingredientes hacia las cuchillas. Si bien no es necesario para el procesamiento, el cortar los alimentos en trozos más pequeños (1 a 3 pulg. / 3 a 8 cm) permite medir los ingredientes en forma más precisa. Se recomienda descongelar parcial o totalmente las frutas. Se recomienda usar la velocidad más alta para el licuado de servicio pesado.
2. Coloque el vaso en la base de motor, alineándolo sobre la almohadilla centrante que está sujeta a la base. **(El motor debe estar completamente detenido antes de colocar el vaso.)** No se deben usar los vasos con materiales sólidos ni secos. Evite hacer funcionar la máquina con el vaso vacío.
3. Siempre use la tapa al licuar. Si va a licuar ingredientes calientes, la tapa debe estar firmemente asegurada en su lugar. Cuando procese líquidos calientes, no use una tapa que no tenga pestillo ni de una sola pieza.
4. Para obtener el mejor licuado, siempre cerciórese de llenar el vaso de 1,5 gal. / 5,6 L hasta el nivel de 48 oz. / 1,4 L o más alto con los ingredientes. Si el volumen final es inferior a 48 oz. / 1,4 L, use el vaso Advance®.
5. Enchufe la máquina al tomacorriente más cercano (si está desenchufada).
6. Siga las instrucciones para el modelo específico:
Modelo Programable Vitamix XL®: Coloque el interruptor On/Off (Encendido/Apagado)

en la posición de encendido. Active un programa seleccionando el ajuste deseado en el selector.

- Oprima el interruptor Start/Stop (Arranque/Parada).
- Para evitar posibles salpicaduras, pose levemente su mano sobre la tapa mientras enciende la máquina (salvo cuando procese líquidos o mezclas calientes).
- Observe atentamente la mezcla hasta habituarse a la velocidad a fin de evitar un licuado excesivo.
- Si durante el licuado la mezcla parece demasiado espesa, retire el tapón de la tapa y agregue líquido lentamente por la misma mientras procesa el producto.

Modelo Vitamix XL® de Velocidad Variable: Seleccione el ajuste deseado en el selector de velocidad. Dependiendo de los ingredientes, comience con un ajuste bajo, luego cambie a uno más alto una vez que la mezcla comience a procesarse.

- Coloque el interruptor On/Off (Encendido/Apagado) en la posición de encendido.
 - Observe atentamente la mezcla hasta habituarse a la velocidad a fin de evitar un licuado excesivo.
 - Mientras más baja sea la velocidad, más gruesa será la mezcla. Mientras más alta sea la velocidad, más fina será la mezcla. Para evitar el procesamiento excesivo, siempre comience con la velocidad variable más baja, luego vaya aumentándola paulatinamente.
7. Cuando procese mezclas difíciles de licuar tales como pasta de jengibre, pesto, o mezclas con ingredientes congelados, use la herramienta aceleradora (consulte la página 44) para ayudar a que los ingredientes fluyan hacia las cuchillas. El mover la herramienta continuamente de manera circular durante el licuado ayudará a eliminar las burbujas de aire y lograr una mezcla uniforme.
 8. Una vez que la licuadora haya parado, espere hasta que las cuchillas se detengan por completo para retirar la tapa o el vaso de la base de motor.



¡ADVERTENCIAS!

- Desenchufe la máquina del tomacorriente cuando no la utilice.
- Si detecta un cambio en el sonido de la máquina o si un objeto sólido o extraño entra en contacto con las cuchillas, no sirva el contenido. Examine el conjunto de cuchillas para asegurarse de que no haya piezas sueltas, melladas o faltantes. Si faltan piezas o hay piezas sueltas o melladas, reemplace el conjunto de cuchillas por uno nuevo. (Consulte la página 43.)

Al procesar líquidos calientes siempre:

- Tenga cuidado. El vapor o las salpicaduras que escapan pueden causar quemaduras.
- Trabe la tapa. Ello impedirá que esta se libere al activarse la máquina.
- Para la máquina Vitamix XL® de Velocidad Variable, comience en el ajuste de Velocidad Variable núm. 1 y aumentelo rápidamente al núm. 10. Jamás comience en el ajuste de más alta velocidad al licuar ingredientes calientes.

INSTRUCCIONES GENERALES

1. Para usar el interruptor Pulse (Pulso):

Modelo Programable Vitamix XL®: Cerciórese de que el suministro eléctrico esté encendido. Oprima el interruptor Pulse (Pulso) con el vaso en la base de motor. Suéltelo para detener el motor.

Modelo Vitamix XL® de Velocidad Variable: Cerciórese de que el suministro eléctrico esté encendido. Gire el selector hasta la velocidad variable deseada. Oprima el interruptor Pulse (Pulso) con el vaso en la base de motor. Suéltelo para detener el motor. Repita el procedimiento múltiples veces hasta que la mezcla se haya licuado y alcanzado la consistencia deseada.

2. Desenchufe la máquina cuando no la utilice.

Consejos para el mantenimiento

- **Nunca golpee el vaso contra una superficie para aflojar los ingredientes.** Retire el vaso de la base y use una espátula de goma para quitar las mezclas espesas del fondo del vaso.
- **Nunca agite ni haga vibrar el vaso cuando lo esté usando.**
- **Nunca retire el vaso si la máquina no se ha detenido por completo.**
- **Nunca encienda el motor antes de colocar el vaso en su lugar.**

¡NOTAS IMPORTANTES!

La protección automática contra sobrecargas apaga el motor para protegerlo. El motor puede dejar de funcionar si se sobrecarga o sobrecalienta. Si el motor se apaga, ello puede deberse a:

- Receta demasiado espesa
- Receta con demasiados ingredientes
- Receta procesada demasiado tiempo a baja velocidad

Si el motor se apaga, repase las técnicas de procesamiento y las instrucciones.

Cortacircuito reiniciable: Cuando el cortacircuito se dispara, lo hace para proteger al motor contra sobrecargas eléctricas. Si ello ocurre, puede reiniciarse oprimiéndolo suavemente para regresarlo a su posición retraída.

Protector térmico: El protector térmico puede apagar el motor para protegerlo contra el sobrecalentamiento. Para rearrancarlo, deje que el motor se enfríe con el suministro apagado (hasta 45 minutos). El enfriamiento puede acelerarse ubicando la base de motor sobre un lugar fresco. (Desenchúfelo primero.) Para acelerar el proceso, trate de hacer circular aire con una aspiradora o ventilador apuntado hacia la parte inferior de la base. Si pareciera que el motor se está sobrecalentando, pero el protector térmico contra sobrecarga no ha apagado la máquina, deténgala y retire el vaso de la base. Fije el selector en el núm. 10 para la máquina de velocidad variable u oprima el interruptor Pulse (Pulso) para la máquina programable. Encienda la máquina y deje que funcione durante 1 minuto. Cerciórese de jamás tocar ninguna pieza móvil que esté en uso. Si se activan ambos dispositivos de protección, siga las instrucciones para reiniciar el cortacircuito, luego enfríe el motor según las instrucciones del protector térmico.

Consejos para licuar

1. Si los ingredientes se congelan, trate de reducir la cantidad de hielo. En comparación con otras licuadoras, la máquina Vitamix XL no necesita tanto hielo para hacer bebidas congeladas.
2. Primero, introduzca en el vaso los líquidos y trozos de alimentos blandos. Los ingredientes duros y el hielo se deben introducir al final.
3. Los ingredientes enteros, duros o congelados deben estar cortados en trozos pequeños. Las frutas congeladas son extremadamente difíciles de licuar. Para obtener mejores resultados, utilice frutas semicongeladas. Si usa las mismas medidas de hielo y frutas semicongeladas, obtendrá bebidas consistentes. Si ve que quedan pedazos sólidos, reconsidere la cantidad que va a preparar a la vez.
4. Al crear recetas, siempre use el líquido suficiente para facilitar el proceso de licuado. Para recetas con poco líquido, use el selector de velocidad variable a fin de hacer funcionar la máquina en su ajuste más bajo hasta que la mezcla empiece a procesarse sin problemas.
5. Cuando use el vaso de 1,5 gal. / 5,6 L, use ambas manos al verter. Deslice una mano por debajo del surtidor y sujete el mango con la otra (Figura A).
6. Al licuar productos calientes, use guantes y prendas de manga larga para verter (Figura A).
7. Comience a licuar a baja velocidad y luego vaya aumentándola paulatinamente. El procesar las recetas a alta velocidad permite enfriar el motor de manera eficiente.
8. Si una receta requiere procesar mezclas muy densas a velocidades bajas, existe una alta posibilidad de que el protector térmico se active. Para impedir que el protector térmico se apague, cuando el motor parezca estar calentándose, detenga la máquina y retire el vaso de la base. Encienda la máquina a alta velocidad y déjela que funcione sin el vaso. Ello hará circular el aire alrededor de la caja del motor enfriándolo.

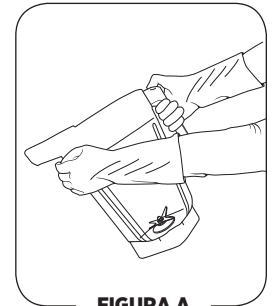


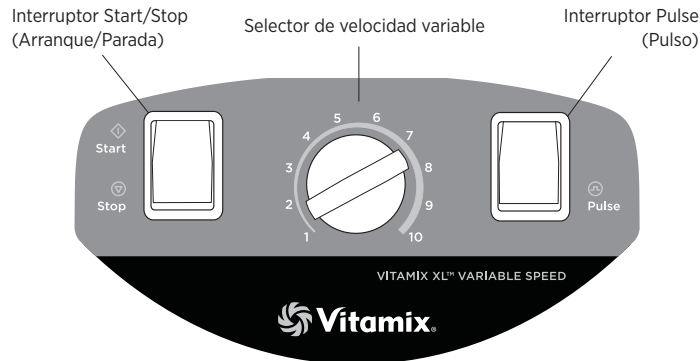
FIGURA A

¡NOTAS IMPORTANTES!

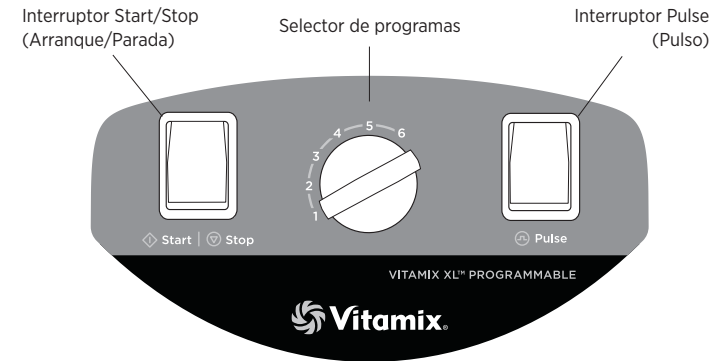
- Revise las cuchillas diariamente. Si ve que falta una pieza o bien que hay una pieza suelta o mellada, reemplace el conjunto de cuchillas antes de usar la máquina (consulte la página 43). No apriete el tornillo de cabeza hexagonal (en la parte superior del conjunto de cuchillas). Si está suelto, reemplace el conjunto de cuchillas.
- Las instrucciones que aparecen en este manual de uso y cuidado no pueden abarcar todas las condiciones y situaciones posibles que puedan presentarse. Use el sentido común y tome las medidas de precaución necesarias al operar y dar mantenimiento a cualquier aparato electrodoméstico.

PANEL DE CONTROL

Vitamix XL® de Velocidad Variable



Vitamix XL® Programable



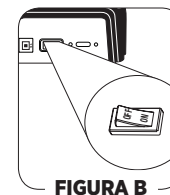
Vitamix XL® de Velocidad Variable

Interruptor On/Off (Encendido/Apagado): Se encuentra en el costado de la máquina (Figura A) y controla el suministro eléctrico de la misma. Cuando la unidad esté enchufada, encienda el interruptor a fin de preparar la máquina para licuar. Apáguelo durante la noche o siempre que la máquina quede sin supervisión.

Botón Start/Stop (Arranque/Parada): Se encuentra al lado izquierdo del panel de control al mirar la máquina de frente. Active la máquina pulsando la parte superior del botón para arrancar la unidad (◊), y deténgala pulsando la parte inferior del mismo (▽). El interruptor Start/Stop (Arranque/Parada) activa la máquina en el ajuste seleccionado del selector de velocidad variable.

Selector de Velocidad Variable: Permite al usuario seleccionar continuamente las velocidades variables del motor.

Interruptor Pulse (Pulso): El interruptor Pulse (⌏) sólo puede usarse cuando el interruptor Start/Stop (Arranque/Parada) está en la posición de parada (▽). Este interruptor se puede usar para refrescar rápidamente el producto en el vaso, para lo cual debe mantenerse pulsado el tiempo que sea necesario. Al activarse, el interruptor hace funcionar la máquina en el ajuste seleccionado del selector de velocidad variable.



Vitamix XL® Programable

Interruptor On/Off (Encendido/Apagado): Se encuentra en el costado de la máquina (Figura B) y controla el suministro eléctrico de la misma. Cuando la unidad esté enchufada, encienda el interruptor a fin de preparar la máquina para licuar. Apáguelo durante la noche o siempre que la máquina quede sin supervisión.

Botón Start ◊ /Stop ▽ (Arranque/Parada): Se encuentra al lado izquierdo del panel de control al mirar la máquina de frente. Es un interruptor iluminado. Cuando la luz está prendida, el suministro eléctrico está encendido. Active la máquina oprimiendo el interruptor para hacerla funcionar en uno de los seis programas. El interruptor Start/Stop (Arranque/Parada) puede pulsarse para detener un ciclo de licuado intermedio del programa.

Selector de programas: Permite al usuario seleccionar una gran cantidad de ajustes preprogramados. La licuadora se apaga automáticamente cuando finaliza el programa. El programa se activa sólo cuando el interruptor de suministro está encendido. En la página 40 encontrará los detalles de programación.

Interruptor Pulse (Pulso): El interruptor Pulse (⌏) se encuentra en el lado derecho del panel de control al mirar la máquina de frente. Se puede usar para refrescar rápidamente el producto en el vaso, para lo cual debe mantenerse pulsado el tiempo que sea necesario. Este interruptor sólo puede usarse cuando el interruptor de suministro está encendido.

¡NOTAS IMPORTANTES!

Las máquinas Vitamix vienen con varias opciones de control diferentes. Cerciórese de seguir las instrucciones para su modelo en particular.

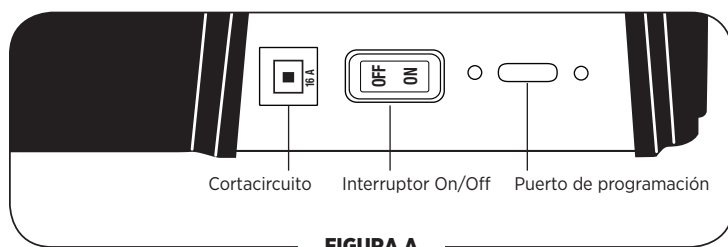
PROGRAMACIÓN

La máquina Vitamix XL® Programable viene preprogramada con ciclos de licuado optimizados para una gran variedad de tareas de licuado. Los programas se pueden personalizar usando un chip de programación o kit de software programador ofrecido por Vitamix®. Llame a su distribuidor o al Servicio de Atención al Cliente para obtener más información.

Si bien la máquina Vitamix XL® viene con programas preestablecidos de fábrica, siga estas instrucciones cuando use un chip de programación personalizado.

Programación con un chip personalizado

1. Encienda el suministro de la máquina mediante el interruptor On/Off (Encendido/Apagado) situado en el costado de la máquina.
2. Quite el vaso y ubique el puerto de programación situado en el costado de la máquina junto al interruptor On/Off (Encendido/Apagado). Introduzca el chip de programación personalizado con las barras de contacto plateadas y la frase "This Side Facing to the Front of the Machine" (Este lado debe mirar hacia la parte delantera de la máquina) en el puerto ubicado debajo del área etiquetada.
3. Dentro de 5 segundos se reprogramarán los seis programas preestablecidos.
4. Retire el chip de programación, colóquelo nuevamente en su envase original y guárdelo en un lugar seguro y de fácil acceso.



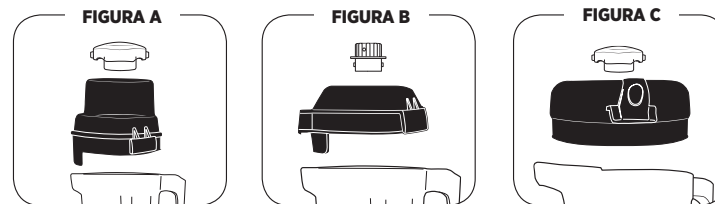
Restablecimiento de los programas preestablecidos a los ajustes de fábrica

1. Apague el suministro de la máquina mediante el interruptor On/Off (Encendido/Apagado) situado en el costado de la máquina.
2. Mantenga oprimido el botón Pulse (Pulso) mientras vuelve a encender el suministro mediante el interruptor On/Off (Encendido/Apagado).

¡NOTAS IMPORTANTES!

Chip de programación: Si se siguen los pasos de programación antedichos y la programación personalizadano aparece con el primer ciclo de licuado, gire el chip en 180° (dele media vuelta) y vuelva a intentarlo.

MONTAJE DE LA MÁQUINA



Conjunto de la tapa

Tapa de dos piezas con herramienta aceleradora, vaso de 64 oz. / 2,0 L Advance®

- Para asegurar la tapa, colóquela encima del vaso y presiónela suavemente hasta que quede encajada en su lugar, luego cerciórese de que los pestillos queden afianzados por la parte superior del reborde del vaso.
- Para retirar una tapa completamente cerrada con pestillo, levante una de las dos lengüetas y tire hacia arriba y hacia afuera.
- Gire el tapón del medio de la tapa para afianzarlo o quitarlo.
- El tapón se puede retirar cuando se use la herramienta aceleradora o se agreguen ingredientes.

Tapa de dos piezas vaso (optativo) de 64 oz. / 2,0 L Advance®

- Para asegurar la tapa, colóquela encima del vaso y presiónela suavemente hasta que quede encajada en su lugar, luego cerciórese de que los pestillos queden afianzados por la parte superior del reborde del vaso.
- Para retirar una tapa completamente cerrada con pestillo, levante una de las dos lengüetas y tire hacia arriba y hacia afuera.
- Gire el tapón del medio de la tapa para afianzarlo o quitarlo.
- No lo use con la herramienta aceleradora

Tapa de dos piezas, vaso de 1,5 gal. / 5,6 L

- Para asegurar la tapa, colóquela encima del vaso y presiónela suavemente hasta que quede encajada en su lugar, luego cerciórese de que los pestillos queden afianzados por la parte superior del reborde del vaso.
- Para retirar una tapa completamente cerrada con pestillo, levante una de las dos lengüetas y tire hacia arriba y hacia afuera.
- Gire el tapón del medio de la tapa para afianzarlo o quitarlo.
- El tapón se puede retirar cuando se use la herramienta aceleradora o se agreguen ingredientes.

¡NOTAS IMPORTANTES!

Vasos: Las licuadoras Vitamix XL® están diseñadas para optimizar su uso con los vasos de 1,5 gal. / 5,6 L y el vaso de 64 oz. / 2,0 L. Advance el uso de otros vasos Vitamix estándar (64 oz. / 2,0 L, 48 oz. / 1,5 L, o compactos de 32 oz. / 0,9 L) no es compatible. Llame al Servicio de Atención al Cliente de Vitamix o a su distribuidor para obtener más información.

Tapas: Para facilitar la inserción y el retiro de las tapas nuevas, frote una pequeña capa de aceite de cocina alrededor del reborde donde éste se sella. Colóquela en un vaso durante varios minutos, retírela y limpie el aceite de la tapa.

MONTAJE DE LA MÁQUINA

Interbloqueo de seguridad

El interbloqueo se proporciona sólo para los países que requieren esta característica. Con la máquina enchufada en el tomacorriente más cercano, la traba de seguridad magnética desactivará el suministro eléctrico del motor cada vez que se levante la tapa de seguridad en posición vertical para colocar el vaso en la almohadilla centrante (Figura A).

El suministro se restablece cuando se vuelve a colocar la tapa de seguridad sobre la tapa del vaso (Figura B). La herramienta aceleradora puede usarse durante el licuado a través de la tapa de seguridad y la tapa del vaso.

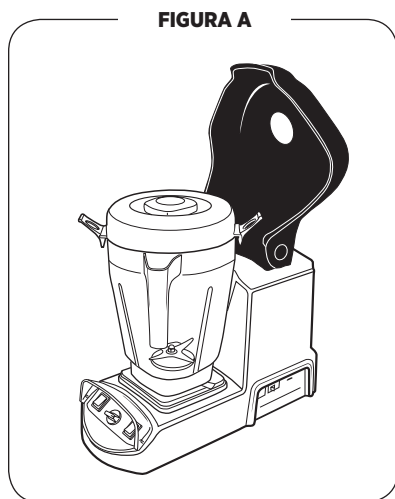


Figura A
Tapa del interbloqueo de seguridad en posición abierta. Suministro de la máquina desactivado.

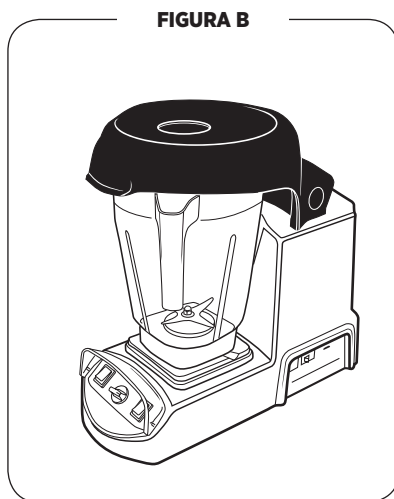
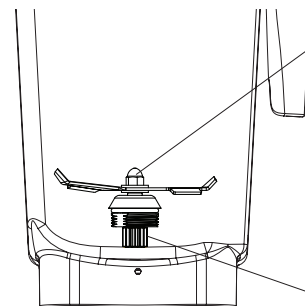


Figura B
Tapa del interbloqueo de seguridad en posición cerrada. Suministro de la máquina activado.

¡ADVERTENCIAS!

No haga funcionar la máquina sin la tapa del vaso cuando use el interbloqueo.

Conjunto de cuchillas

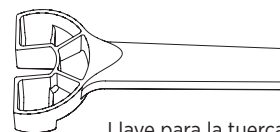


Conjunto del agitador de cuchillas: El conjunto de cuchillas incluye cuchillas de precisión de acero inoxidable endurecido con cojinetes esféricos de acero doblemente sellados y encapsulados para una máxima durabilidad. El resistente conjunto de cuchillas literalmente hace explotar las moléculas de los alimentos y del hielo en el vaso, ayudando así a homogeneizar la mezcla con más eficacia. No es necesario retirar las cuchillas para la limpieza normal. (Consulte la información a continuación sobre la extracción o colocación de elementos.)



Eje estriado motriz: Encaja en el acople en la base de motor para girar las cuchillas.

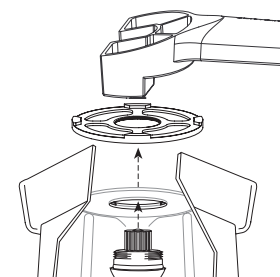
Nota: Si retira y vuelve a colocar el vaso mientras el acoplamiento aún está girando, estropeará los dientes del eje motriz. **(Esta pieza NO es desmontable.)**



Llave para la tuerca de sujeción

Tuerca de sujeción: Debe estar ajustada. Pida la llave para la tuerca de sujeción a fin de obtener mejores resultados. (Consulte la información a continuación sobre la extracción o colocación de elementos.)

Retiro del conjunto de cuchillas



Llave para la tuerca de sujeción en uso

A veces, puede que sea necesario limpiar más a fondo las cuchillas. Puede comprar la llave de uso fácil para extraer el conjunto de cuchillas (artículo núm. 15596). Invierta el vaso y sujételo con firmeza. Introduzca la llave para la tuerca de sujeción en la muesca de la tuerca y gírela en sentido antihorario para aflojarla. Luego sujete las cuchillas con un paño y retire la tuerca con la mano.

Colocación del conjunto de cuchillas: Con el vaso invertido, sujete las cuchillas con un paño, introdúzcalas en la parte inferior del vaso y alinéelas con los lados planos de la abertura del vaso. Coloque la tuerca de sujeción y apriétela con la mano. Gírela con cuidado en sentido horario hasta afianzarla con la llave.

No la fuerce. Si no está suficientemente apretada, notará que el vaso hace más ruido.

¡ADVERTENCIAS!

Nunca use el conjunto de cuchillas con componentes sueltos, dañados o mellados.
Precaución: ¡No retire las cuchillas ni el conjunto de cuchillas a menos que sea absolutamente necesario! Nunca intente desmontar el conjunto de cuchillas. Ello anulará la garantía.

MONTAJE DE LA MÁQUINA

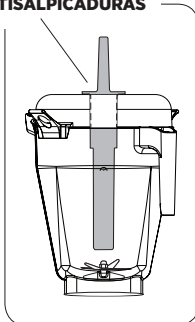
Herramienta aceleradora

La herramienta aceleradora impide la formación de burbujas de aire durante el licuado y permite procesar mezclas congeladas muy espesas o difíciles de licuar. Mientras la máquina esté funcionando, use la herramienta aceleradora para empujar los ingredientes hacia las cuchillas.

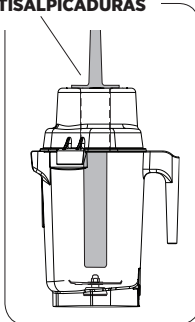
Uso de la herramienta aceleradora:

- Si las mezclas espesas dejan de circular, es posible que haya burbujas de aire atrapadas. Introduzca la herramienta aceleradora por la tapa y revuelva a fin de eliminarlas.
- Úsela solamente con la tapa trabada en su lugar sin el tapón de la tapa.
- El disco antisalpicaduras (cerca de la parte superior de la herramienta aceleradora) y la tapa impiden que la herramienta aceleradora golpee las cuchillas.
- El vaso no debe estar a más de $\frac{2}{3}$ de su capacidad cuando se use la herramienta aceleradora.
- No use la herramienta aceleradora por más de 30 segundos consecutivos (para evitar el sobrecalentamiento).
- El mantener la herramienta aceleradora recta debiera permitir la circulación de los ingredientes más espesos. Si no es así, apunte la herramienta hacia el costado o la esquina del vaso.

DISCO ANTISALPICADURAS



DISCO ANTISALPICADURAS



¡ADVERTENCIAS!

No fuerce la herramienta aceleradora al introducirla en el vaso. La fuerza excesiva puede hacer que la herramienta se extienda demasiado en el vaso y dañe las cuchillas.

No use la herramienta aceleradora antigua que tiene una superficie recta y pareja (sin secciones de mayor o menor ancho). Usar el modelo antiguo puede dañar las cuchillas.

Al procesar líquidos o mezclas calientes:

- La tapa de dos piezas con pestillo debe estar firmemente trabada en su lugar. No use la tapa de una sola pieza ni una que no tenga pestillo. Esto permite que el vapor escape de manera natural y evitará que la tapa se salga al encenderse la máquina.
- No comience a procesar líquidos calientes a alta velocidad. Siempre comience a procesarlos a baja velocidad, luego vaya aumentándola a medida que la máquina va funcionando.
- Tenga cuidado con los líquidos calientes. Pueden salir líquidos rociados por debajo del tapón de la tapa o escapar vapor causando quemaduras.

CUIDADO DE LA MÁQUINA

Productos de limpieza

Solid Supra, Solid Power, _____
Guardian Acclaim, Solid Guardian Plus,
Solid Super Impact, Solid Insure

Diverpak _____
Eclipse H2, Liqui-Safe L7
Acclean
Poly-Brite

Glow MB-1 _____
Lustre NC-25
Lustre Plus

PSRA 41-D, PSRA 41-E _____
Liqui-Ware 1, Liqui-Ware MC
D-Flex, Sur-Met

Agentes de enjuague

Solid Rinse Dry, Solid Brilliance, _____
Jet Dry, Rinse Dry

Desmanchador

NuWare _____

Proveedores en los EE.UU.

Ecolab, Inc., St. Paul, MN
800-352-5326
www.ecolab.com

Diversey, Livonia, MI
800-521-8140

Wesmar Company, Inc.
Seattle, WA 206-783-5344
www.wesmar.com

Anderson Chemical Co.
Litchfield, MN
800-366-2477
www.andersonchemical.com

Ecolab, Inc., St. Paul, MN
800-352-5326
www.ecolab.com

Diversey, Livonia, MI
800-521-8140

¡NOTAS IMPORTANTES!

Productos de limpieza: No use agentes limpiadores abrasivos ni blanqueador concentrado para limpiar. No use limpiadores que contengan desinfectantes cuaternarios sobre los componentes de policarbonato (por ejemplo, los vasos Advance y las cubiertas). No use ninguno de los siguientes productos de limpieza: detergentes para lavavajillas automáticos, limpiadores de hornos, lana de acero ni ninguna esponja abrasiva.

CUIDADO DE LA MÁQUINA

Base de motor/panel de control

1. **Desenchufe el cable eléctrico.**
2. Lave cuidadosamente la superficie externa con un paño de algodón humedecido en una solución suave de agua tibia y detergente no abrasivo o un limpiador líquido no abrasivo en aerosol. **Nunca sumerja la base de motor en agua ni en ningún otro líquido.**
3. Limpie completamente los interruptores de modo que funcionen libremente. Pueden tornarse pegajosos con el uso. Desenchufe la máquina y use un paño humedecido con agua* y detergente suave para limpiar por los bordes de las paletas de los interruptores hasta que funcionen libremente. Haga funcionar los interruptores hacia atrás y adelante unas cuantas veces para soltar todos los residuos secos que puede haber debajo de cada interruptor. El dejar los interruptores pegajosos los dañará o quemará. Limpie cuidadosamente los interruptores teniendo precaución de no dejar que se filtre agua ni otros líquidos.
4. Séquelos con un paño suave de algodón.

Vaso y tapa

Separe la tapa y el tapón. Lávelos con agua tibia y detergente. Enjuáguelos debajo de agua corriente y séquelos. Vuelva a montarlos antes de usar la máquina. (Consulte la página 41).

1. **Para limpiarlo:** Llene una $\frac{1}{4}$ parte del vaso con agua tibia (110°F / 43°C) y agregue unas cuantas gotas de detergente líquido para vajilla.** Vuelva a ubicar el vaso en la base de motor y coloque firmemente la tapa de dos piezas. Haga funcionar la máquina durante 30 segundos. Vacíe el vaso. Repita este paso.
2. **Para enjuagarlo:** Llene $\frac{3}{4}$ partes del vaso con agua tibia (110°F / 43°C) – no agregue detergente. Vuelva a ubicar el vaso en la base de motor y coloque firmemente la tapa de dos piezas. Haga funcionar la máquina durante 30 segundos. Vacíe el vaso.
3. Si queda algún residuo sólido, quite el conjunto de cuchillas (consulte la página 43) y lave todas las piezas del vaso con agua tibia y detergente. Enjuáguelas y drénelas. Vuelva a montar las piezas antes del próximo paso. No ponga en remojo el conjunto de cuchillas.
4. **Para desinfectarlo:** Si no quedan residuos sólidos después del paso 2 o una vez finalizado el paso 3, llene $\frac{3}{4}$ partes del vaso con una mezcla desinfectante.*** Vuelva a ubicar el vaso en la base de motor y coloque firmemente la tapa de dos piezas. Haga funcionar la máquina durante 30 segundos a alta velocidad. Apague la máquina y deje que la mezcla repose en el vaso durante 1 $\frac{1}{2}$ minutos más. Vacíe la solución desinfectante. Vuelva a colocar el vaso en la base de motor y haga funcionar la máquina vacía durante 5 segundos más. No lo enjuague tras desinfectarlo. Deje que el vaso se seque al aire libre.

Tapa del interbloqueo de seguridad (ciertas máquinas)

Lávala con un paño húmedo en su lugar en la máquina o bien para efectuar una limpieza más a fondo levante la tapa de seguridad para retirarla de los surcos situados en el costado de la máquina y lávela con una solución detergente suave para vajilla. Vuelva a montarlos antes de usar la máquina. No la lave en el lavavajillas.

¡NOTAS IMPORTANTES!

- * Cerciérese de estrujar el exceso de agua del paño o la esponja cuando limpie los controles o alguna pieza eléctrica.
- ** Para prolongar la vida útil del vaso de policarbonato, Vitamix® recomienda usar detergentes con un equilibrio de pH bajo, como el detergente líquido para vajilla (Ivory Liquid®).
- *** Solución desinfectante recomendada: 1,5 cucharadita / 7,4 ml de blanqueador de uso institucional o doméstico en 2 ct. / 2,0 L de agua.



¡ADVERTENCIAS!

Cubierta: No lave la puerta de la cubierta, el mango ni la cubierta posterior en el lavavajillas. No se recomienda desmontar el mango durante la limpieza. Sin embargo, si decide retirarlo de la cubierta, cerciérese de no apretarlo excesivamente al volver a colocarlo en la misma, pues lo dañará.

Vaso: No deje que las mezclas, los líquidos ni los alimentos se sequen en el vaso. Enjuáguelo después de usarlo. Los productos secos pueden bloquear las cuchillas y debilitar o menoscabar los sellos de los cojinetes cuando se vuelve a encender la máquina. No ponga los vasos en el congelador. Las temperaturas extremadamente bajas combinadas con ingredientes calientes y/o la acción rápida e inmediata de las cuchillas pueden agrietar el vaso. Debido a la naturaleza de los policarbonatos usados en los vasos Advance y no se recomienda usar el vaso en un horno microondas ni lavarlo en un lavavajillas automático.

SOLUCIÓN DE PROBLEMAS

Problemas:	Soluciones:
<ul style="list-style-type: none"> • Aumento de la vibración • Fugas desde el fondo del vaso • Aumento del ruido proveniente del vaso 	<ol style="list-style-type: none"> Revise el conjunto de cuchillas por si hay componentes sueltos, dañados o mellados y reemplácelos. Apriete la tuerca de sujeción girando en sentido horario la llave para dicha tuerca. Consulte la página 43.
<ul style="list-style-type: none"> • La máquina no funciona 	<ol style="list-style-type: none"> Vuelva a verificar que el cable eléctrico esté firmemente enchufado en el tomacorriente. Verifique que el interruptor On/Off (Encendido/Apagado) esté en la posición de encendido. Verifique que los interruptores estén limpios y se muevan libremente. Puede que el protector térmico haya apagado la máquina. Apague el suministro hasta 45 minutos para reiniciarla. Nota: El enfriamiento puede acelerarse ubicando la base de motor sobre un lugar fresco. (Desenchúfelo primero.) Trate de hacer circular aire con una aspiradora o ventilador apuntado hacia la parte inferior de la base de motor.
<ul style="list-style-type: none"> • Mucho ruido proveniente del área de las cuchillas • Las cuchillas no giran 	<ol style="list-style-type: none"> El acople puede estar roto. Revise si presenta una grieta fina por el centro o si hay dientes desgastados y reemplace el acople por uno nuevo (Núm. de artículo 891). Las instrucciones vienen incluidas con la pieza. Se deben reemplazar los cojinetes. Gire las cuchillas usando el eje motriz en la parte inferior del vaso. Si giran libremente sin resistencia, reemplace el conjunto de cuchillas. Consulte la página 43. Es posible que el eje motriz en el conjunto de cuchillas esté desgastado. Revise si hay dientes desgastados en el eje motriz del conjunto de cuchillas. Reemplace el conjunto de cuchillas. Consulte la página 43.
<ul style="list-style-type: none"> • Demasiado chirrido proveniente del motor de la licuadora 	<p>Se deben reemplazar los cojinetes del motor. Llame al Servicio de Atención al Cliente de Vitamix®.</p>
<ul style="list-style-type: none"> • La máquina no arranca cuando está activado el interbloqueo de seguridad. (ciertas máquinas) 	<ol style="list-style-type: none"> Vuelva a verificar que el cable eléctrico esté firmemente enchufado al tomacorriente. Verifique que el interruptor On/Off (Encendido/Apagado) esté en la posición de encendido.

Problemas:	Soluciones:
<ul style="list-style-type: none"> • La máquina funciona en forma irregular • La máquina arranca sola • Se apagó la máquina por un tiempo y después de encenderla no recibe suministro • La máquina no funcionó la primera vez que se intentó encenderla • El ajuste seleccionado inicia el programa equivocado (modelo programable solamente) 	<ol style="list-style-type: none"> Intente enchufar la máquina en otro tomacorriente. Restablezca la máquina a sus ajustes originales de fábrica. Consulte la página 40. (Modelo programable solamente) La máquina puede dejar de funcionar si se sobrecarga a velocidad baja. Para enfriar el motor, reinicielo apagando el suministro durante 45 minutos. Llame al Servicio de Atención al Cliente de Vitamix.

Si no puede reparar la máquina con estas sugerencias, obtenga ayuda experta llamando al servicio técnico de Vitamix® al (800) 886.5235. Si la adquirió fuera de los EE. UU., comuníquese con el Distribuidor local de Vitamix o con la División Internacional de Vitamix llamando al +1 (440) 782.2450 o enviando un correo electrónico a international@vitamix.com para encontrar un distribuidor en su país. Para obtener ayuda en línea, visite vitamix.com.

¡NOTAS IMPORTANTES!

La protección automática contra sobrecargas apaga el motor cuando se dispara el cortacircuito reiniciable. Esto ocurre para proteger al motor contra el sobrecalentamiento. Si el motor se apaga, ello podría deberse a:

- Receta demasiado espesa
- Receta con demasiados ingredientes.
- Receta procesada demasiado tiempo a baja velocidad

Protector térmico: El protector térmico puede apagar el motor para protegerlo contra el sobrecalentamiento. Para reiniciarlo, espere que el motor se enfríe con el suministro apagado (hasta 45 minutos). El enfriamiento puede acelerarse ubicando la base de motor sobre un lugar fresco. (Desenchúfelo primero.) Para acelerar el proceso, trate de hacer circular aire con una aspiradora o ventilador apuntado hacia la parte inferior de la base de motor. Si pareciera que el motor se está sobrecalentando, pero el protector térmico contra sobrecarga no ha apagado la máquina, deténgala y retire el vaso de la base. Fije el selector en el núm. 10 para la máquina de velocidad variable u oprima el interruptor Pulse (Pulso) para la máquina programable. Encienda la máquina y deje que funcione durante 1 minuto. Cerciórese de jamás tocar ninguna pieza móvil que esté en uso.

Si se activan ambos dispositivos de protección, siga las instrucciones para reiniciar el cortacircuito, luego enfríe el motor según las instrucciones del protector térmico.

GARANTÍA

MANTENIMIENTO DE LA LICUADORA VITAMIX

Para maximizar la vida útil del producto Vitamix® y mantenerlo en buen estado, es importante que siga unos cuantos consejos sencillos de mantenimiento:

1. Inspeccione periódicamente el acople por si presenta deterioro, grietas o roturas. Si está dañado, reemplácelo por el acople de repuesto que viene con la licuadora. Si desea adquirir acoples de repuesto adicionales, comuníquese con Vita-Mix® Corporation (en adelante, "Vitamix") llamando al (800) 866-5235 para encontrar un vendedor en su localidad. Los clientes que viven fuera de EE. UU. pueden comunicarse con el distribuidor autorizado de Vitamix o con la División Internacional de Vitamix llamando al +1 (440) 782-2450 o enviando un correo electrónico a international@vitamix.com para encontrar un distribuidor cerca de su domicilio.
2. Gire manualmente el conjunto de cojinetes de las cuchillas para cerciorarse de que rote sin vacilar o no gire demasiado libremente. Si las cuchillas vacilan o giran demasiado libremente, comuníquese con Vitamix para obtener información sobre la garantía o encontrar un vendedor en su localidad.
3. Nunca haga funcionar la máquina si la almohadilla centrante no está correctamente situada en la base. Además, nunca retire el vaso de la base antes de que el licuado haya finalizado y las cuchillas se hayan detenido.

GARANTÍA LIMITADA *(a menos que el contrato brinde otro tipo de cobertura)*

Vita-Mix® Corporation (en adelante, "Vitamix") garantiza al usuario final original ("Comprador") que sus licuadoras Vitamix de uso comercial (que incluyen una base de motor, un vaso y una tapa, que, en adelante, se denominan de forma conjunta el "Equipo") no presentarán defectos de material ni de mano de obra durante los períodos de garantía pertinentes para el Equipo, según se describe en el presente documento, y estarán sujetas a las condiciones descritas a continuación. Se requiere un comprobante de compra.

A continuación, se especifican los únicos recursos del Comprador y las únicas obligaciones de garantía de Vitamix.

Ningún empleado de Vitamix ni ninguna otra persona tiene autorización para ofrecer una garantía adicional ni para enmendar las siguientes garantías.

LO QUE CUBRE LA GARANTÍA

A. Garantía de la base de motor (que incluye el tablero de control y la almohadilla táctil):

Vitamix garantiza al usuario final original que:

- Si la base de motor falla en el transcurso de treinta (30) días desde la fecha de compra debido a defectos de material o de mano de obra, Vitamix reemplazará la base de motor por una nueva.
- Si la base de motor falla transcurridos treinta (30) días desde la fecha de compra, pero en el transcurso de un (1) año a partir de la fecha de compra, debido a defectos de material o de mano de obra, Vitamix asumirá el costo de todas las piezas y de la mano de obra que sean necesarios para repararla.
- Si la base de motor falla transcurrido el primer año, pero en el transcurso de tres (3) años a partir de la fecha de compra, debido a defectos de material o de mano de obra, Vitamix asumirá el costo de todas las piezas que sean necesarias para repararla.

B. Garantía del vaso, la tapa, el tapón de la tapa, la almohadilla centrante, el conjunto de cuchillas, el acople y la caja silenciadora (si se incluyeran): Vitamix garantiza al usuario final original que si la caja silenciadora, el vaso, la tapa, el conjunto de cuchillas o el acople fallan en el transcurso de un (1) año a partir de la fecha de compra debido a defectos de material o de mano de obra, Vitamix asumirá el costo de todas las piezas y de la mano de obra que sean necesarios para reparar dichos componentes.

La única obligación de Vitamix conforme a estas garantías es reparar o reemplazar la pieza o las piezas en garantía según lo determine Vitamix a su exclusivo criterio.

EN NINGÚN CASO, YA SEA QUE SE BASE EN CONTRATO, INDEMNIZACIÓN, GARANTÍA, DAÑOS (LO QUE INCLUYE NEGLIGENCIA), RESPONSABILIDAD ABSOLUTA O DE CUALQUIER OTRO MODO, VITAMIX SERÁ RESPONSABLE DE NINGÚN DAÑO ESPECIAL, INDIRECTO, INCIDENTAL NI CONSECUENTE, LO QUE INCLUYE, ENTRE OTROS, PÉRDIDA DE GANANCIAS O INGRESOS. LA GARANTÍA LIMITADA ANTEDICHA CONSTITUYE SU ÚNICO RECURSO Y, MEDIANTE LA PRESENTE, USTED Y VITAMIX RENUNCIAN EXPRESAMENTE A TODAS LAS DEMÁS GARANTÍAS O CONDICIONES, EXPRESAS O IMPLÍCITAS, ESTATUTARIAS O DE CUALQUIER OTRO MODO, QUE INCLUYAN TODA GARANTÍA IMPLÍCITA DE COMERCIABILIDAD E IDONEIDAD PARA UN FIN EN PARTICULAR, Y, SIN LIMITAR LA GENERALIDAD DE LA PRESENTE GARANTÍA, USTED Y VITAMIX EXCLUYEN EXPRESAMENTE, EN LA MEDIDA QUE LO PERMITA LA LEY, LA APLICACIÓN DE TODA LEGISLACIÓN DE VENTA DE MERCADERÍA Y LA CONVENCION DE LAS NACIONES UNIDAS SOBRE CONTRATOS DE COMPRA Y VENTA INTERNACIONALES DE MERCADERÍA, SEGÚN PUEDA SER PERTINENTE.

Algunas jurisdicciones no permiten limitaciones en cuanto a la duración de las garantías implícitas ni permiten la exclusión de la limitación de daños incidentales o consecuentes.

LO QUE NO CUBRE LA GARANTÍA *(exclusiones de la cobertura)*

Estas garantías no incluyen las reparaciones necesarias a raíz de las siguientes causas:

- A. Desgaste normal.
- B. Abuso, uso indebido o negligente.
- C. Alteración del Equipo, que incluye, entre otros, la base de motor, el vaso, la tapa o la caja silenciadora.
- D. Exposición a condiciones extremas.
- E. Instalación incorrecta del Equipo, que incluye, entre otros, mano de obra deficiente, sin respetar las especificaciones suministradas, o ventilación inadecuada de los modelos "empotrados" de la licuadora.

CUÁNDO RIGEN LAS GARANTÍAS *(condiciones de la cobertura)*

Las garantías contenidas en el presente manual rigen exclusivamente para el usuario final original y son intransferibles. Para interponer un reclamo de garantía, se debe presentar el comprobante de compra.

Toda garantía ofrecida por Vitamix solo es válida si se usa conforme a lo siguiente:

- a) el manual del propietario, al cual también se puede acceder en vitamix.com;
- b) la garantía expresa y c) todas las instrucciones de mantenimiento, independientemente de cuándo se las haya suministrado.

GARANTÍA LIMITADA continúa en la página 52 ▶

GARANTÍA

QUÉ ANULA LA GARANTÍA

Todas las garantías del producto se consideran nulas si se presentan las siguientes situaciones:

- La licuadora se coloca en una caja silenciadora que no fue fabricada por Vitamix.
- Cualquier componente de una pieza cubierta del Equipo u otra pieza fue modificado, alterado, “reacondicionado” o reparado por personas ajenas a Vitamix, un centro de servicio autorizado por Vitamix o un distribuidor autorizado por Vitamix.
- Cualquier componente de Vitamix cubierto se usa con un componente no autorizado expresamente por escrito por Vitamix (es decir, se usa un vaso Vitamix con una base de motor que no es Vitamix o se usa una base de motor Vitamix con un vaso que no es Vitamix).
- Cualquier pieza de la licuadora se instala de manera incorrecta, lo cual incluye, entre otros, mano de obra deficiente, sin respetar las especificaciones suministradas, o ventilación inadecuada de los modelos “empotrados”.

CÓMO RECIBIR LA COBERTURA Y REPARACIÓN DE LA GARANTÍA

Con quién debe comunicarse para recibir el servicio y la reparación de la garantía:

En caso de que la licuadora Vitamix requiera servicio o reparación cubiertos por los términos de esta garantía, llame a Vita-Mix Corporation, a un centro de servicio autorizado o a un distribuidor local a fin de obtener asistencia al respecto.

- **Para el Equipo adquirido y que se encuentra en EE. UU.:**
Llame al Servicio Técnico de Vitamix: (800) 886-5235.
- **Para el Equipo adquirido fuera de EE. UU. continental:**
Comuníquese con el distribuidor autorizado de Vitamix o con la División Internacional de Vitamix llamando al +1 (440) 782-2450 o enviando un correo electrónico a international@vitamix.com para encontrar un distribuidor cerca de su domicilio.

Se le solicitará que presente un comprobante de compra del Equipo. Si el equipo de servicio técnico remoto no puede arreglar el Equipo de manera remota, se deberá reparar el Equipo. El equipo lo ayudará a encontrar un centro de servicio autorizado o a coordinar el envío del Equipo a Vitamix.

CÓMO ENVIAR EL EQUIPO A VITAMIX PARA SU REPARACIÓN

A. Obtenga un número de autorización de devolución antes de realizar el envío.

No devuelva ni envíe el Equipo sin la aprobación de Vitamix. En ningún caso Vitamix se hará cargo del costo de las reparaciones no autorizadas. Todas las devoluciones de Equipos deben tener el número de autorización de devolución (Return Authorization, “RA”) claramente marcado en el exterior de la caja. Todo Equipo enviado a Vitamix sin autorización ni aprobación previas será devuelto a la dirección de la empresa de transportes “tal como está”, sin haberlo reparado.

B. Embale de manera correcta el artículo que será devuelto.

Todo artículo devuelto a Vitamix deberá enviarse en el embalaje original o en uno apto para tal fin.

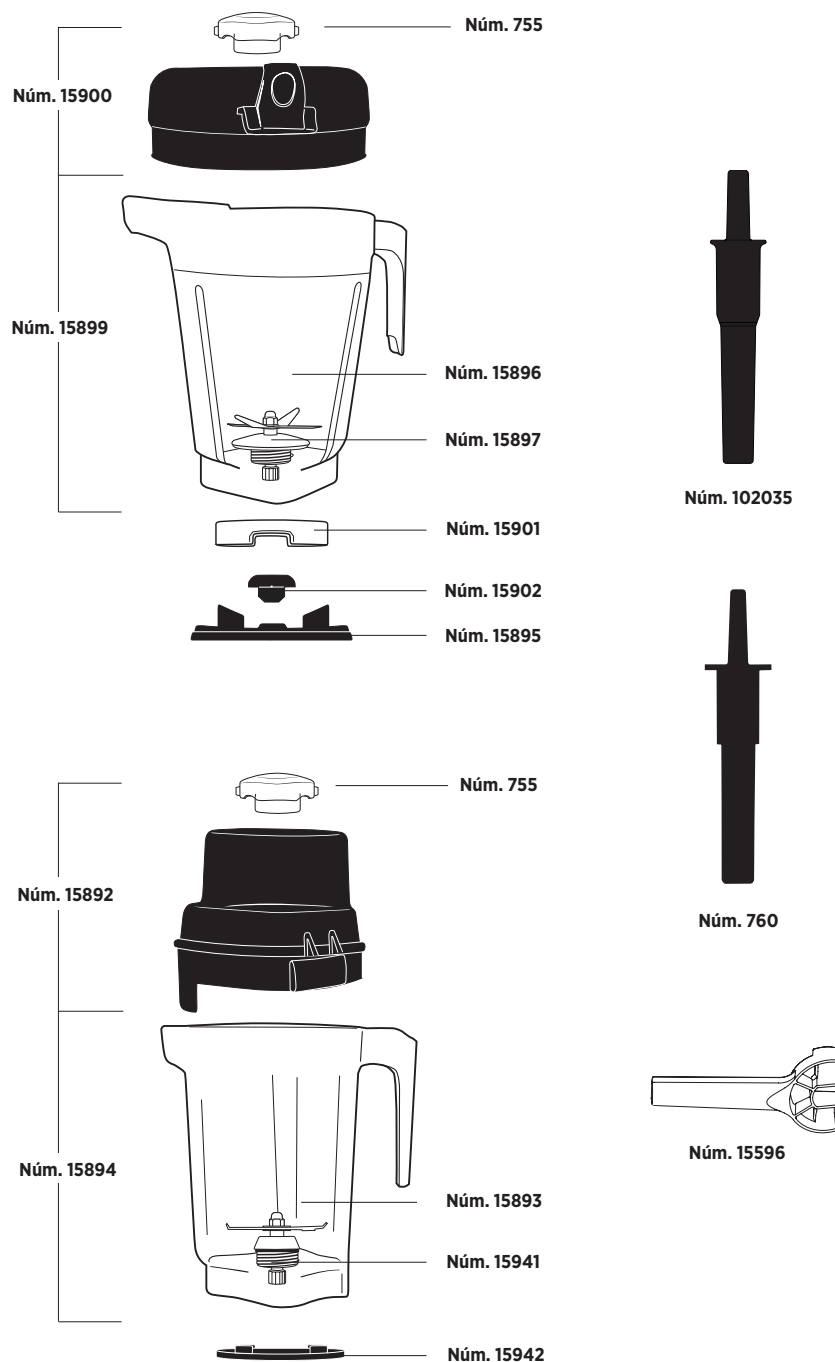
LISTA DE PIEZAS

Vitamix XL®

- Núm. 15900** Tapa y tapón para el vaso de 1,5 gal. / 5,6 L
- Núm. 15899** Vaso de 1,5 gal. / 5,6 L, conjunto de cuchillas y conjunto de la tapa
- Núm. 15896** Vaso de 1,5 gal. / 5,6 L solamente
- Núm. 15897** Conjunto del agitador de cuchillas Vitamix XL® para el vaso de 1,5 gal. / 5,6 L
- Núm. 15901** Tuerca de sujeción para el vaso de 1,5 gal. / 5,6 L
- Núm. 15892** Tapa de la herramienta aceleradora y tapón para el vaso de 64 oz. / 2,0 L Advance®
- Núm. 15894** Vaso de 64 oz. / 2,0 L Advance®, conjunto de cuchillas y conjunto de la tapa de la herramienta aceleradora
- Núm. 15893** Vaso de 64 oz. / 2,0 L solamente
- Núm. 15941** Conjunto del agitador de cuchillas Vitamix XL® para el vaso Advance®
- Núm. 15942** Tuerca de sujeción para el vaso Advance® (para Vitamix XL® solamente)
- Núm. 15902** Acople
- Núm. 15895** Almohadilla centrante Vitamix XL®
- Núm. 755** Tapón de la tapa para el vaso de 1,5 gal. / 5,6 L y el vaso Advance®
- Núm. 760** Herramienta aceleradora
- Núm. 102035** Herramienta aceleradora (para máquinas con interbloqueo de seguridad solamente)

¡NOTAS IMPORTANTES!

- Fuera de los EE.UU. y Canadá, es posible que la máquina venga con una configuración de vaso diferente. Póngase en contacto con su distribuidor local de Vitamix para obtener los números de los artículos.
- Aparte del acople, el conjunto de cuchillas y la tuerca de sujeción, esta unidad no puede ser reparada por el usuario.



ESPECIFICACIONES

Vitamix XL®

Requisitos eléctricos:

- 120 V, 50/60 Hz, 15 amperios
- Usa un cable con conexión a tierra de tres clavijas para los EE.UU.
- Se recomienda un tomacorriente de 20 amperios por máquina.

No use cables de extensión con la máquina.

- 220 – 240 V, 50/60 Hz, 1700 – 1900 vatios
- 100 V (Japón), 50/60 Hz, 1300 vatios

Dimensiones:

- Altura de 18,1 pulg. / 45,6 cm con tapa
- Altura de 18,6 pulg. / 47,3 cm con interbloqueo cerrado
- Altura de 26.6 pulg. / 67,6 cm con interbloqueo abierto
- Profundidad: 19,0 pulg. / 48,3 cm
- Ancho: 8,5 pulg. / 21,6 cm

Según corresponda:



Para ver la línea completa de productos Vitamix®,
visite el sitio web vitamix.com



Vita-Mix® Corporation Commercial Division

8615 Usher Road, Cleveland, Ohio 44138 U.S.A.

Tel: +1 (440) 235.0214 Correo electrónico: commercial@vitamix.com

©2012 Vita-Mix Corporation. No está permitido reproducir ni transmitir ninguna parte de esta publicación, de forma alguna ni por ningún medio, ni almacenarla en una base de datos o un sistema de recuperación sin la autorización por escrito de Vita-Mix Corporation.

Impreso en EE.UU. 102866 12/12

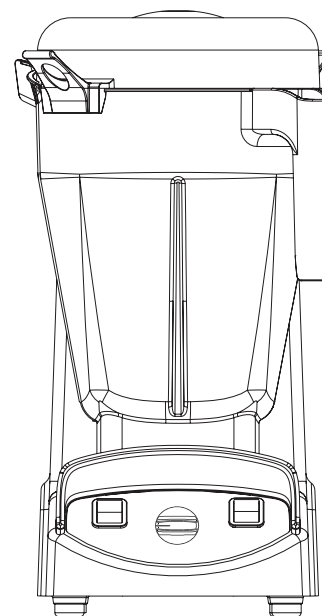


Vitamix XL®

TOUS MODÈLES

Manuel d'utilisation et d'entretien

Lire et conserver ces instructions



ENGLISH

ESPAÑOL

FRANÇAIS

TABLE DES MATIERES

English	1
Español	29
Français	57
Précautions importantes	60
Instructions générales	62
Modèles programmables	
Tous modèles	
Conseils d'entretien	
Conseils de mélange	
Panneau de contrôle	66
Programmation	68
Programmation de la puce personnalisée	
Réglage des boutons pré-réglés	
Montage de l'appareil	69
Assemblage de couvercle	
Verrouillage de sécurité	
Assemblage de lame	
Dispositif d'accélération	
Entretien de votre appareil	73
Dépannage	76
Garantie	78
Liste des pièces	82
Spécifications du produit	84

PRÉCAUTIONS IMPORTANTES

1. Lire toutes ces instructions.
2. Pour vous protéger des chocs électriques, ne pas immerger le socle-moteur dans l'eau ou dans d'autres liquides.
3. L'appareil doit être surveillé de près par un adulte s'il est utilisé par des enfants ou à proximité d'enfants.
4. Débrancher le cordon d'alimentation de la prise murale lorsque l'appareil Vitamix® n'est pas en service, avant de le démonter, lors de l'installation et du démontage des pièces et avant tout nettoyage autre que le nettoyage du bol.
5. Ne jamais toucher les pièces en mouvement.
6. Ne pas utiliser un appareil qui ne fonctionne pas correctement, dont le câble électrique est endommagé, un appareil qui est tombé ou qui est endommagé de quelque manière que ce soit. Si vous avez acheté votre appareil aux É.-U., contactez le **Service d'assistance technique Vitamix au (800) 886.5235**, pour que votre appareil soit examiné, réparé, potentiellement échangé ou bien pour que ses fonctions électriques ou mécaniques soient ajustées. Si vous avez effectué votre achat en dehors des É.-U., veuillez contacter votre Distributeur Vitamix agréé, ou contactez la Division internationale de Vitamix au +1 (440) 782.2450 ou bien par courriel : international@vitamix.com pour trouver un distributeur près de chez vous.
7. L'utilisation d'accessoires n'étant pas recommandés ou vendus par Vitamix, comme des bocaux, peut constituer un risque d'incendie, de choc électrique ou de blessure. Ne pas utiliser des accessoires qui ne sont pas recommandés ou vendus par Vitamix, au risque d'invalider la garantie. **Il n'est pas recommandé d'altérer ou de modifier ce produit de quelque façon que ce soit au risque de causer des blessures.**
8. **Ne pas utiliser pas ce produit à l'extérieur.**
9. Ne pas laisser le cordon d'alimentation entrer en contact avec des surfaces chaudes ou bien pendre d'une table ou d'un comptoir.
10. Ne pas placer cet appareil sur ou à proximité d'une cuisinière à gaz ou électrique, ou bien dans un four chaud et ne pas laisser l'appareil entrer en contact avec des surfaces chaudes. Les sources extérieures de chaleur peuvent endommager l'appareil.
11. Conserver les mains et les ustensiles à l'extérieur du bol lorsque le moteur est en fonctionnement afin de limiter les risques de blessures sévères et/ou de dommages à l'appareil. Une spatule souple peut être utilisée, mais uniquement lorsque l'appareil Vitamix n'est pas en fonctionnement.
12. **AVERTISSEMENT : Les lames sont coupantes. Manipuler avec précaution.**
 - Ne jamais essayer de retirer les lames lorsque le bol est posé sur le socle-moteur.
 - Ne pas utiliser de lames desserrées, ébréchées ou endommagées - les remplacer immédiatement.
 - Afin de limiter les risques de blessures, ne jamais placer l'assemblage de lame sur le socle-moteur sans que le bol Vitamix y soit correctement encastré.
13. La capacité maximale correspond à la quantité en onces (litres) marquée sur le bol, c.-à-d. 64 oz. / 2,0 L, cette quantité est substantiellement réduite pour les mélanges épais.
14. Le bol ne doit pas être rempli à plus de $\frac{2}{3}$ de sa capacité lorsque le dispositif d'accélération reste en place pendant le mélange. Ne pas faire fonctionner le mélangeur plus de 30 secondes d'affilée lorsque le dispositif d'accélération est en place.
15. **ATTENTION :** Des problèmes de refroidissement provoquant un arrêt thermique et d'éventuels dommages au moteur peuvent se produire si l'appareil est utilisé dans un caisson anti-bruit qui n'est pas approuvé par Vitamix®.
16. Lors de la préparation de beurre de noix ou d'aliments à base d'huile, ne pas faire fonctionner l'appareil pendant plus d'une minute après que la préparation commence à tourner.
17. **Ne jamais faire fonctionner le mélangeur Vitamix sans que le couvercle soit correctement en place.**

18. **AVERTISSEMENT :** Lors du mélange de liquides chauds :
 - Le couvercle encastrable en deux parties doit être mis correctement en place. Celui-ci permet à la vapeur de s'échapper naturellement et il empêche que le couvercle ne s'enlève lorsque
 - L'appareil est allumé. Ne pas démarrer l'appareil en vitesse rapide ou sur le réglage le plus rapide. Prendre soin de toujours commencer le mélange des liquides chauds à la vitesse basse ou sur le réglage le plus lent, augmenter ensuite la vitesse quand l'appareil est en marche.
 - Faire attention aux liquides chauds. Des éclaboussures peuvent sortir du dessous du couvercle, ou bien de la vapeur qui s'échappe de celui-ci peut provoquer des brûlures.
 - Porter des vêtements à manches longues et des gants en guise de protection au moment de verser des liquides et des mélanges chauds.
19. **ATTENTION :** Éteindre le courant ou débrancher l'appareil avant de toucher les pièces mobiles. Positionner l'interrupteur sur OFF (arrêt) pendant la nuit ou lorsque l'appareil est laissé sans surveillance.

Conserver ces Instructions de sécurité

- Le cordon d'alimentation américain du mélangeur Vitamix est muni d'une fiche à trois broches (de mise à la terre) qui se branche dans une prise murale à trois fentes standard (Figure A). **Ce cordon est différent pour les pays autres que les États-Unis d'Amérique.**
- Des adaptateurs (Figure B) sont disponibles pour les prises à deux fentes. Ne pas couper et ne pas enlever la troisième broche (de mise à la terre) de la prise ou du cordon d'alimentation.
- Consulter un électricien si vous ne savez pas si votre prise électrique murale est mise à la terre par le câblage du bâtiment. Pour les fiches à deux broches correctement reliées à la terre, la mise à la terre de l'appareil s'effectue en connectant la languette de l'adaptateur à la prise électrique murale grâce à la vis au centre du cache (Figure B).



AVERTISSEMENT!

Les adaptateurs à trois broches ne doivent pas être utilisés au Canada

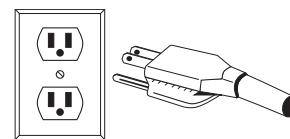


FIGURE A

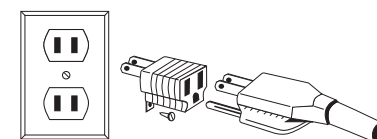


FIGURE B

REMARQUES IMPORTANTES!

Les instructions contenues dans ce Manuel d'utilisation et d'entretien ne sauraient couvrir toutes les conditions et les circonstances d'utilisation possibles. Il convient de faire preuve de bon sens et de prudence lors de l'utilisation et de l'entretien des appareils.

INSTRUCTIONS GÉNÉRALES

Modèle Programmable

Les réglages de base du cadran de programmation du modèle Programmable Vitamix XL® sont décrits ci-dessous. Ces programmes, numérotés de 1 à 6, sont des cycles de mélange conçus pour la plupart des applications de mélange usuelles. Si l'un des programmes pré-réglés est sélectionné, l'appareil fonctionnera pendant un cycle entier. L'appareil s'arrêtera de lui-même lorsque le cycle est terminé. Les cycles sont de durée et de vitesse variables. Les options de pré-réglage peuvent varier d'un appareil à l'autre en raison de révisions apportées au programme ou si votre appareil a été programmé spécifiquement pour vous.

RÉGLAGE 1: Commence à Low (vitesse basse), augmente jusqu'à High (Rapide) (100%) pendant 25 secondes (:30)

RÉGLAGE 2: Commence à Low (vitesse basse), augmente jusqu'à High (Rapide) (100%) pendant 40 secondes (:45)

RÉGLAGE 3: Commence à Low (vitesse basse), augmente jusqu'à High (Rapide) (100%) pendant 55 secondes (:60)

RÉGLAGE 4: Commence à Low (vitesse basse), augmente jusqu'à High (Rapide) (100%) pendant 1 minute 25 secondes (1:30)

RÉGLAGE 5: Commence à Low (vitesse basse), augmente jusqu'à High (Rapide) (100%) pendant 1 minute 55 secondes (2:00)

RÉGLAGE 6: Commence à Low (vitesse basse), augmente jusqu'à High (Rapide) (100%) pendant 2 minutes 55 secondes (3:00)

Instructions du mélangeur Vitamix XL® (Tous modèles)

1. Placer tout d'abord les liquides et les aliments mous dans le bol. En mettant les ingrédients humides à proximité des lames, un tourbillon se crée, permettant aux autres ingrédients d'être acheminés vers les lames. Bien que cette opération ne soit pas nécessaire pour le mélange, la coupe ou le broyage d'aliments en petits morceaux (de 1 à 3 po / 3 à 8 cm) permet de mesurer plus précisément les ingrédients. Il est recommandé d'utiliser des fruits décongelés ou partiellement décongelés. Pour un mélange puissant, il est recommandé d'utiliser la vitesse rapide.
2. Enclencher le bol sur le socle-moteur en alignant celui-ci au socle de centrage ancré à la base. **(Le moteur doit être à l'arrêt complet avant de mettre le bol en position).** Les bols ne doivent pas être utilisés pour des aliments durs ou secs. Éviter de faire fonctionner l'appareil si le bol est vide.
3. Toujours utiliser un couvercle lorsque vous mélangez. Pour le mélange des ingrédients chauds, le couvercle doit être enclenché correctement en place. Pour le mélange des liquides chauds, ne pas utiliser un couvercle non verrouillable ni un couvercle d'une seule pièce.
4. Pour obtenir le meilleur mélange, toujours remplir le bol de 1,5 gal. / 5,6 L jusqu'au niveau 48 oz. / 1,4 L ou au delà avec les ingrédients. Si le volume final est inférieur à 48 oz. / 1,4 L, utiliser le bol Advance®.

5. Brancher l'appareil dans la prise électrique la plus proche (s'il est débranché).
6. Suivre les instructions relatives au modèle spécifique :
Vitamix XL® Modèle Programmable : Appuyer sur l'interrupteur On/Off (marche/arrêt) pour allumer l'appareil. Activer un programme en sélectionnant le réglage voulu sur le cadran.

- Appuyer sur l'interrupteur Start/Stop (démarrage/arrêt).
- Pour empêcher les éclaboussures, poser légèrement la main sur le couvercle lorsque vous allumez l'appareil (sauf lors de mélanges de liquides ou d'aliments chauds).
- Une fois habitué à la vitesse, surveiller attentivement la préparation pour éviter qu'elle ne soit trop mélangée.
- Si, durant le mélange, la préparation semble trop épaisse, enlever le bouchon du couvercle et ajouter doucement du liquide par l'orifice du couvercle tout en continuant de mélanger.

Vitamix XL® Modèle à Vitesse Variable : Sélectionner le réglage voulu sur le cadran de vitesse. Selon les ingrédients utilisés, commencer par un réglage lent et passer ensuite à un réglage plus rapide une fois que la préparation commence à se mélanger.

- Positionner l'interrupteur On/Off (marche/arrêt) sur on (marche).
 - Une fois habitué à la vitesse, surveiller attentivement la préparation pour éviter qu'elle ne soit trop mélangée.
 - Plus la vitesse est lente et plus le mélange est grossier. Plus la vitesse est rapide et plus le mélange est fin. Afin d'éviter que les ingrédients soient trop mélangés, toujours commencer par la vitesse la plus basse et accélérer progressivement.
7. Lorsque les préparations sont difficiles à mélanger, comme le pesto ou la pâte de gingembre, ou si elles contiennent des ingrédients congelés, utiliser le dispositif d'accélération (voir page 72) afin d'aider les ingrédients à atteindre les lames. En déplaçant continuellement le dispositif de manière circulaire lors du mélange, les poches d'air sont plus facilement éliminées et le mélange est plus homogène.



AVERTISSEMENT!

- Lorsque l'appareil n'est pas utilisé, il doit être débranché de la prise de courant.
- En cas de modification du bruit de la machine ou si un objet extérieur ou dur entre en contact avec les lames, ne pas servir le contenu. Inspecter l'assemblage de lames pour vérifier qu'il n'y a pas de pièces manquantes, desserrées ou ébréchées. S'il y a des pièces manquantes, desserrées ou ébréchées, remplacer l'assemblage de lames. (Voir page 71.)

Lors du mélange de liquides chauds toujours :

- Faire attention. Les éclaboussures ou la vapeur qui s'échappent peuvent brûler.
- Verrouiller le couvercle. De cette manière, celui-ci ne pourra pas être projeté lorsque l'appareil est mis en route.
- Ne jamais commencer par la vitesse la plus rapide lors du mélange d'ingrédients chauds.

INSTRUCTIONS GÉNÉRALES

1. Une fois que le mélangeur s'est arrêté, attendre que les lames soient complètement immobiles avant d'enlever le couvercle ou le bol du socle-moteur.
2. Pour utiliser le bouton à impulsion :
 - **Vitamix XL® Modèle Programmable** : S'assurer que l'appareil est allumé. Le bol étant enclenché sur le socle-moteur, appuyer sur le bouton à impulsion. Relâcher le bouton pour arrêter le moteur.
 - **Vitamix XL® Modèle à Vitesse Variable** : S'assurer que l'appareil est allumé. Positionner le cadran sur la vitesse voulue. Le bol étant enclenché sur le socle-moteur, appuyer sur le bouton à impulsion. Relâcher le bouton pour arrêter le moteur. Répéter plusieurs fois cette opération jusqu'à ce que la préparation ait une consistance satisfaisante.
3. Débrancher l'appareil lorsqu'il n'est pas utilisé.

Conseils d'entretien

- **Ne jamais cogner le bol contre une surface dure pour décoller les ingrédients.** Enlever le bol de la base et utiliser une spatule souple pour récupérer les préparations épaisses du fond du bol.
- **Ne jamais secouer un bol quand il est en marche sur l'appareil.**
- **Ne jamais retirer le bol avant que l'appareil soit complètement arrêté.**
- **Ne jamais allumer le moteur avant que le bol soit en place.**

REMARQUES IMPORTANTES!

Le dispositif automatique de protection de surcharge coupe le moteur pour protéger celui-ci. Le moteur peut s'arrêter s'il est surchargé ou en surchauffe. Le moteur peut s'arrêter pour les raisons suivantes :

- La préparation est trop épaisse
- La préparation contient trop d'ingrédients
- La préparation a été mélangée trop longtemps à une vitesse trop basse.

Si le moteur s'arrête, examiner les procédures de travail et les instructions.

Disjoncteur réarmable : Lorsque le disjoncteur s'enclenche, c'est pour protéger le moteur d'une surcharge électrique. Si cela se produit, le disjoncteur peut facilement être réarmé en le repoussant en place.

Interrupteur thermique : Il se peut que l'interrupteur thermique coupe le moteur pour protéger celui-ci d'une surchauffe. Pour redémarrer, couper le courant et attendre que le moteur refroidisse (jusqu'à 45 minutes). Le socle-moteur peut refroidir plus rapidement s'il est placé dans un endroit frais. (Débrancher d'abord.) Pour accélérer ce processus, essayer d'améliorer la circulation de l'air avec un aspirateur ou un ventilateur dirigé vers le bas de la base. Si le moteur paraît en surchauffe mais que l'interrupteur thermique n'a pas éteint l'appareil, arrêter d'utiliser l'appareil et enlever le bol de la base. Régler le cadran sur la position #10 pour l'appareil à vitesse variable ou appuyer sur le bouton à impulsion pour l'appareil programmable. Allumer l'appareil et le laisser fonctionner pendant 1 minute. Faire attention de ne pas toucher aux pièces en mouvement. Si les deux dispositifs de protection sont activés, suivre les instructions de réarmement du disjoncteur, puis faire refroidir le moteur selon les instructions de l'interrupteur thermique.

Conseils de mélange

1. Si les ingrédients gèlent, essayer de réduire la quantité de glace. En comparaison aux autres mélangeurs, vous n'avez pas besoin d'autant de glace pour faire une boisson glacée avec un mélangeur Vitamix XL®.
2. Placer tout d'abord les liquides et les aliments mous dans le bol. Les aliments durs et la glace doivent être placés en dernier.
3. Les ingrédients entiers, durs ou congelés doivent être petits. Les fruits congelés entiers sont extrêmement difficiles à mélanger. Pour obtenir de meilleurs résultats, utiliser des fruits à demi décongelés. Si vous utilisez des volumes similaires de fruits à demi décongelés et de glace, vos boissons glacées seront toujours les mêmes. Si vous obtenez des morceaux, reconsidérez les volumes que vous employez.
4. Lors de toutes préparations, toujours laisser suffisamment de liquide pour faciliter le processus de mélange. Pour les préparations ayant besoin d'un minimum de liquide, utiliser le cadran de vitesse variable pour faire fonctionner l'appareil sur son réglage le plus lent jusqu'à ce qu'il fonctionne sans à-coups.
5. Pour utiliser le bol de 1,5 gal. / 5,6 L, les deux mains doivent être sollicitées pour verser. Glisser une main sous le bec verseur et utiliser l'autre main pour tenir la poignée (Figure A).
6. Lors du mélange des produits chauds, porter des vêtements à manches longues et des gants pour verser (Figure A).
7. Commencer le mélange lentement et accélérer. Utiliser la vitesse rapide permet de refroidir le moteur plus efficacement.
8. Si une préparation nécessite un mélange lourd à une vitesse lente, il est fort possible que l'interrupteur thermique se déclenche. Pour éviter un arrêt de l'appareil par l'interrupteur thermique, arrêter l'appareil lorsque le moteur commence à chauffer et retirer le bol de la base. Faire fonctionner l'appareil en vitesse rapide sans le bol. De cette manière, l'air va circuler dans le boîtier du moteur et refroidir celui-ci.

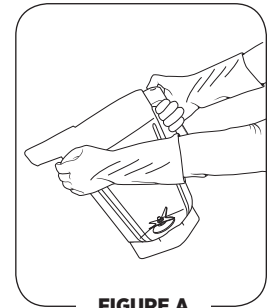


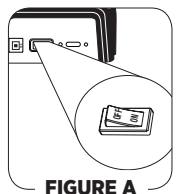
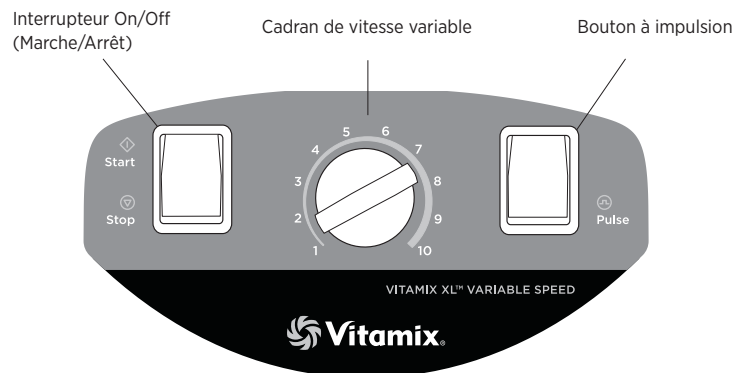
FIGURE A

REMARQUES IMPORTANTES!

- Vérifier les lames quotidiennement. Si une pièce s'avère manquante, ébréchée ou desserrée, remplacer l'assemblage de lames avant utilisation (voir page 71). Ne pas essayer de visser la vis à tête hexagonale (sur le dessus de l'assemblage de lame). Si celle-ci est desserrée, remplacer l'assemblage de lame.
- Les instructions contenues dans ce Manuel d'utilisation et d'entretien ne sauraient couvrir toutes les conditions et les circonstances d'utilisation possibles. Il convient de faire preuve de bon sens et de prudence lors de l'utilisation et de l'entretien des appareils.

PANNEAU DE CONTRÔLE

Vitamix XL® Vitesse Variable



Vitamix XL® Vitesse Variable

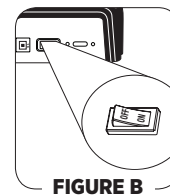
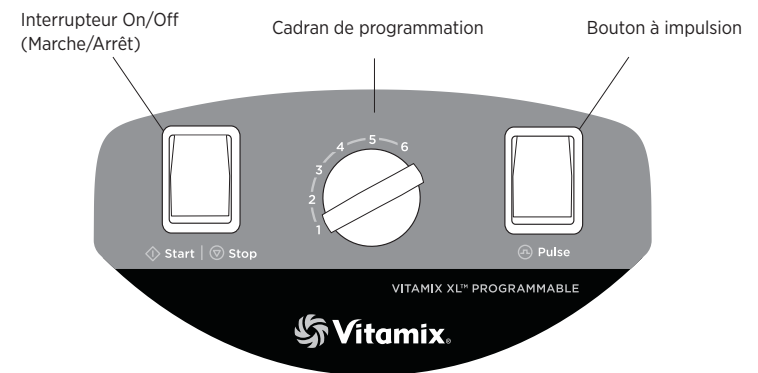
Interrupteur On/Off (Marche/Arrêt) : Situé sur le côté de l'appareil (Figure A), l'interrupteur On/Off (Marche/Arrêt) contrôle l'alimentation électrique de l'appareil. Quand l'appareil est branché, positionner l'interrupteur sur on pour préparer la machine à mélanger. Positionner l'interrupteur sur off (arrêt) pendant la nuit ou lorsque l'appareil est laissé sans surveillance.

Bouton Start/Stop (Démarrage/Arrêt) : L'interrupteur Start/Stop (Démarrage/Arrêt) est situé sur le côté gauche de l'appareil quand on regarde de devant de celui-ci. Activer l'appareil en positionnant le haut de l'interrupteur sur Start (◇), et arrêter l'appareil en positionnant l'interrupteur sur Stop (▽). Le bouton Start/Stop (Démarrage/Arrêt) mettra la machine en route à la vitesse sélectionnée sur le réglage du cadran de vitesse variable.

Cadran de vitesse variable : Permet à l'utilisateur de sélectionner parmi les vitesses variables du moteur.

Bouton à impulsion : Le bouton à impulsion (⌏) peut fonctionner uniquement lorsque l'interrupteur Start/Stop (Démarrage/Arrêt) est en position (▽) d'arrêt. Le bouton à impulsion peut servir à rafraîchir rapidement le produit dans le bol en le maintenant enfoncé aussi longtemps que nécessaire. Lorsqu'il est activé, le bouton à impulsion fait fonctionner l'appareil à la vitesse déterminée par le réglage du cadran de vitesse variable.

Vitamix XL® Programmable



Vitamix XL® Programmable

Interrupteur On/Off (Marche/Arrêt) : Situé sur le côté de l'appareil (Figure B), l'interrupteur On/Off (Marche/Arrêt) contrôle l'alimentation électrique de l'appareil. Quand l'appareil est branché, positionner l'interrupteur sur on pour préparer la machine à mélanger. Positionner l'interrupteur sur off (arrêt) pendant la nuit ou lorsque l'appareil est laissé sans surveillance.

Bouton Start/Stop (Démarrage/Arrêt) : L'interrupteur Start ◇ / Stop ▽ (Démarrage/Arrêt) est situé sur le côté gauche de l'appareil quand on regarde de devant de celui-ci. Cet interrupteur est lumineux. Lorsqu'il est allumé, l'appareil est sous tension. Activer l'appareil en enclenchant l'interrupteur pour faire fonctionner un des six programmes. L'interrupteur Start/Stop (Démarrage/Arrêt) peut être actionné pour interrompre un programme en cours.

Cadran de programmation : Permet à l'utilisateur de sélectionner parmi plusieurs réglages préprogrammés. Le mélangeur s'éteint automatiquement à la fin du programme. Le programme est uniquement activé lorsque l'interrupteur marche/arrêt est en marche. Voir les détails de programmation page 68.

Bouton à impulsion : Le bouton (⌏) à impulsion est situé sur le côté droit du panneau de contrôle lorsque l'on regarde le devant de l'appareil. Il sert à rafraîchir rapidement le produit dans le bol en le maintenant enfoncé aussi longtemps que nécessaire. Le bouton à impulsion peut uniquement être utilisé lorsque l'interrupteur marche/arrêt est en marche.

REMARQUES IMPORTANTES!

Les appareils Vitamix disposent de plusieurs options de contrôle. Veuillez vous assurer que vous suivez les instructions qui s'appliquent à votre modèle.

PROGRAMMATION

Le Vitamix XL® Programmable est préprogrammé avec des cycles de mélange optimisés pour une vaste gamme d'applications. Les programmes peuvent être personnalisés en utilisant une puce de programmation ou un kit logiciel de programmation disponibles auprès de Vitamix®. Appelez votre distributeur ou le Service à la clientèle pour de plus amples informations.

Bien que votre appareil soit livré pré réglé avec les programmes Vitamix XL®, suivez ces instructions lorsque vous utilisez une puce de programmation personnalisée.

Programmation avec une puce personnalisée

1. Allumer l'appareil à l'aide de l'interrupteur On/Off (Marche/Arrêt) situé sur le côté de l'appareil.
2. Enlever le bol et trouver le port de programmation qui se trouve sur le côté de l'appareil, à proximité de l'interrupteur On/Off (Marche/Arrêt). Insérer la puce de programmation personnalisée, avec les contacteurs argentés et les mots « THIS SIDE FACING TO THE FRONT OF THE MACHINE » vers le haut dans le port situé sous l'étiquette.
3. Dans les 5 secondes, les six programmes pré réglés seront reprogrammés.
4. Enlever la puce de programmation, la remettre dans son emballage d'origine et la conserver dans un endroit facilement accessible et sûr.

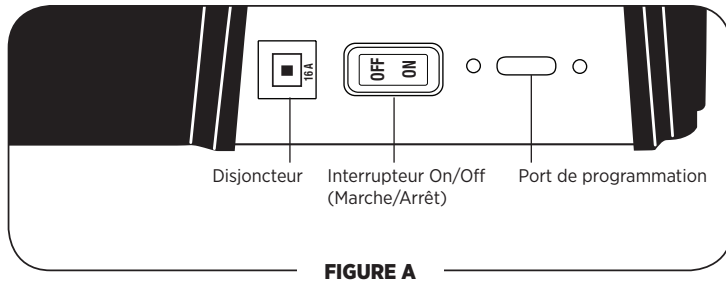


FIGURE A

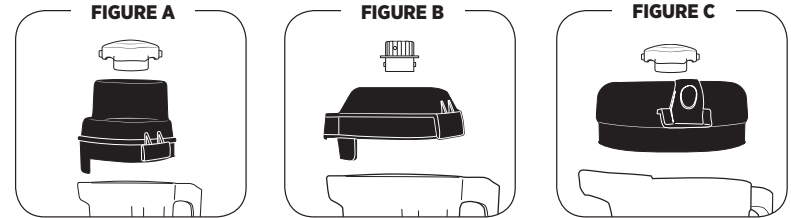
Restaurer les programmes pré réglés à la configuration d'usine de l'assemblage de couvercle

1. Éteindre l'appareil à l'aide de l'interrupteur On/Off (Marche/Arrêt) situé sur le côté de l'appareil.
2. Maintenir le bouton à impulsion pressé tout en allumant l'appareil à l'aide de l'interrupteur On/Off (Marche/Arrêt).

REMARQUES IMPORTANTES!

Puce de programmation : Si les étapes de programmation ci-dessus sont suivies et que la programmation personnalisée ne prend pas effet lors du premier cycle de mélange, faire pivoter la puce à 180° (de droite à gauche) et essayer à nouveau.

MONTAGE DE L'APPAREIL



Assemblage de couvercle

Couvercle à deux pièces pour dispositif d'accélération, pour bol Advance® de 64 oz. / 2,0 L

- Pour fixer le couvercle, placer celui-ci sur le dessus du bol, appuyer doucement jusqu'à ce qu'il s'enclenche en place, et s'assurer que les verrous sont bien fixés autour du bord du bol.
- Pour enlever un couvercle verrouillé en place, relever l'un des deux verrous et tirer vers le haut.
- Faire tourner le bouchon central du couvercle pour le fixer ou l'enlever.
- Le bouchon du couvercle peut être enlevé lors de l'utilisation du dispositif.

Couvercle en deux parties (en option), pour bol Advance® de 64 oz. / 2,0 L

- Pour fixer le couvercle, placer celui-ci sur le dessus du bol, appuyer doucement jusqu'à ce qu'il s'enclenche en place, et s'assurer que les verrous sont bien fixés autour du bord du bol.
- Pour enlever un couvercle verrouillé en place, relever l'un des deux verrous et tirer vers le haut.
- Faire tourner le bouchon central du couvercle pour le fixer ou l'enlever.
- Ne pas utiliser avec le dispositif d'accélération.

Couvercle en deux parties, pour bol de 1,5 gal. / 5,6 L

- Pour fixer le couvercle, placer celui-ci sur le dessus du bol, appuyer doucement jusqu'à ce qu'il s'enclenche en place, et s'assurer que les verrous sont bien fixés autour du bord du bol.
- Pour enlever un couvercle verrouillé en place, relever l'un des deux verrous et tirer vers le haut.
- Faire tourner le bouchon central du couvercle pour le fixer ou l'enlever.
- Le bouchon du couvercle peut être enlevé lors de l'utilisation du dispositif d'accélération ou pour ajouter des ingrédients.

REMARQUES IMPORTANTES!

Bols : 1,5 gal. / 5,6 L et les bols Advance de 64 oz. / 2,0 L. L'utilisation avec d'autres bols Vitamix standard (64 oz. / 2,0 L, 48 oz. / 1,5 L, ou compact 32 oz. / 0,9 L) n'est pas compatible. Contactez le Service à la clientèle Vitamix ou votre distributeur pour obtenir de plus amples information.

Couvercles : Pour que les nouveaux couvercles soient plus faciles à installer et à retirer, appliquer une fine couche d'huile alimentaire autour du bord. Installer le couvercle sur le bol, le laisser en place plusieurs minutes, l'enlever et nettoyer l'huile excédentaire du couvercle.

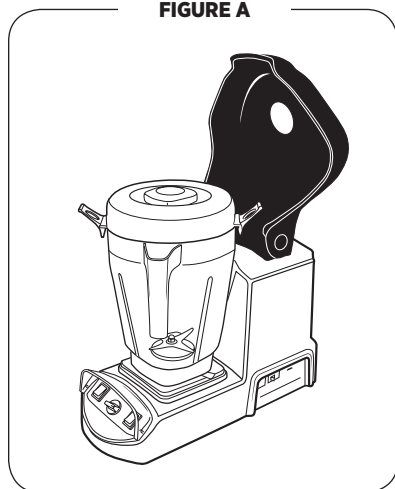
MONTAGE DE L'APPAREIL

Verrouillage de sécurité

Le dispositif de verrouillage de sécurité n'est fourni que dans les pays où cette fonction est requise. Lorsque l'appareil est branché dans la prise électrique la plus proche, le dispositif de verrouillage magnétique coupe l'alimentation électrique du moteur lorsque le couvercle est relevé en position verticale pour positionner le bol sur le socle de centrage (Figure A).

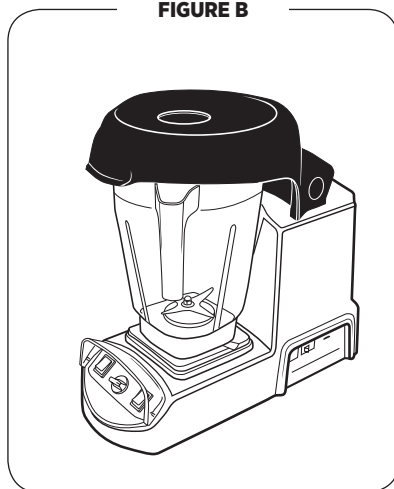
L'alimentation électrique est restaurée lorsque le couvercle de sécurité est rabaisé sur le couvercle du bol (Figure B). Le dispositif d'accélération peut être utilisé en passant par le couvercle de sécurité et le couvercle du bol pendant le mélange.

FIGURE A



Couvercle de verrouillage de sécurité en position ouverte. L'alimentation électrique de l'appareil est coupée.

FIGURE B

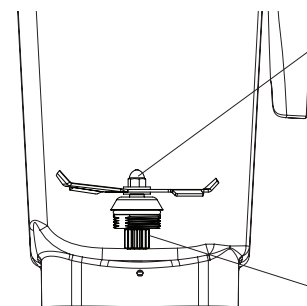


Couvercle de verrouillage de sécurité en position fermée. L'alimentation électrique de l'appareil est restaurée.

AVERTISSEMENT!

Ne pas faire fonctionner l'appareil sans le couvercle du bol lors de l'utilisation du dispositif de verrouillage.

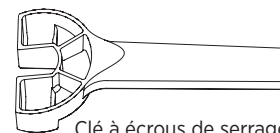
Assemblage de lames



Assemblage multi-lame agitateur : L'assemblage de lames est constitué de lames de précision en acier trempé inoxydable ainsi que d'un roulement à billes doublement étanchéifié pour une durabilité maximum. L'assemblage de lames robuste fait littéralement exploser les molécules d'aliments et de glace dans le bol, ce qui aide chaque préparation à s'homogénéifier plus efficacement. Il n'est pas nécessaire de démonter les lames pour un nettoyage normal. (Consultez les informations ci-dessous pour le démontage ou le remplacement.)



Cannelure d'entraînement : S'insère dans la douille d'entraînement sur la base du moteur pour faire pivoter la lame.

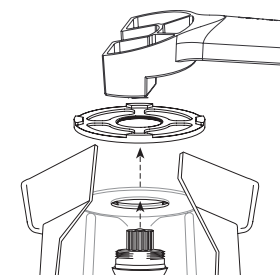


Clé à écrous de serrage

Remarque : Si vous retirez ou installez votre bol alors que l'accouplement est encore en rotation, les « rainures » de la cannelure d'entraînement seront endommagées. **(Cette pièce n'est PAS démontable)**

Écrou de serrage : Il doit être bien serré. Commandez la clé à écrous de serrage pour obtenir un meilleur résultat. (Consultez les informations ci-dessous pour le démontage ou le remplacement.)

Démontage de l'assemblage de lames



Utilisation de la clé à écrous de serrage

Il est parfois nécessaire d'effectuer un nettoyage poussé des lames. La clé de démontage de l'assemblage de lames d'utilisation facile (Article n° 15596) peut être commandée. Retourner le bol et le tenir fermement. Insérer la clé à écrous dans la gorge de l'écrou de serrage et tourner dans le sens inverse des aiguilles d'une montre pour desserrer. Prendre ensuite les lames avec un chiffon et démonter l'écrou de serrage à la main.

Remplacement de l'assemblage de lames : Mettre le bol à l'envers, prendre les lames avec un chiffon, insérer dans la base du bol et aligner avec les côtés plats de l'orifice du bol. Positionner l'écrou de serrage et serrer à la main. A l'aide de la clé à écrou, tourner prudemment dans le sens des aiguilles d'une montre jusqu'à ce que l'assemblage de lames soit fermement en place.

Ne pas forcer. S'il n'est pas assez serré, vous constaterez un bruit dans le bol.

AVERTISSEMENT!

Ne jamais utiliser un assemblage de lames dont les pièces sont desserrées, ébréchées ou endommagées.

Attention : N'enlever les lames ou l'assemblage de lames qu'en cas de nécessité absolue! Ne jamais essayer de démonter l'assemblage de lames. Une telle tentative annulerait la garantie.

MONTAGE DE L'APPAREIL

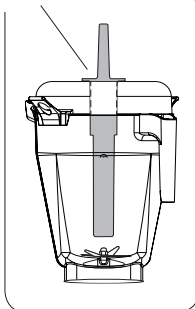
Dispositif d'accélération

Le dispositif d'accélération empêche que des bulles d'air se forment lors du mélange et permet de mélanger des préparations épaisses et/ou des préparations congelées difficiles à mélanger. Lorsque l'appareil est en fonctionnement, utiliser le dispositif d'accélération pour pousser les ingrédients vers les lames.

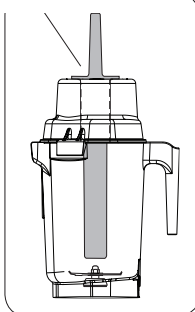
Utilisation du dispositif d'accélération :

- Si les préparations épaisses ne circulent plus, c'est peut-être parce qu'une bulle d'air a été emprisonnée. Insérer le dispositif d'accélération par le couvercle et mélanger la préparation pour libérer la bulle d'air.
- Utiliser celui-ci uniquement si le couvercle est verrouillé en place et si le bouchon du couvercle est enlevé.
- Le disque anti-éclaboussures (près du haut du dispositif d'accélération) et le couvercle empêchent le dispositif d'accélération d'entrer en contact avec les lames.
- Le bol ne doit pas être rempli à plus de $\frac{2}{3}$ de sa capacité lors de l'utilisation du dispositif d'accélération.
- Ne pas utiliser le dispositif d'accélération pendant plus de 30 secondes consécutives (afin d'éviter toute surchauffe).
- Le dispositif d'accélération doit être maintenu verticalement pour permettre aux ingrédients particulièrement épais de circuler. Dans le cas contraire, diriger le dispositif d'accélération vers le côté ou le coin du bol.

Disque anti-éclaboussures



Disque anti-éclaboussures



AVERTISSEMENT!

Ne pas forcer le dispositif d'accélération dans le bol. Si vous forcez de manière excessive, le dispositif d'accélération peut aller trop profondément dans le bol et endommager les lames.

Ne pas utiliser l'ancien dispositif d'accélération dont la surface est droite et lisse et qui n'a pas de « rebord ». L'utilisation de l'ancien modèle peut endommager les lames.

Lors du mélange de liquides chauds :

- Le couvercle encastrable en deux parties doit être mis correctement en place. Ne pas utiliser de couvercle en une partie ou de couvercle non-verrouillable. Ceci permet à la vapeur de s'échapper naturellement et empêche que le couvercle ne s'enlève lorsque l'appareil fonctionne.
- Ne pas commencer le mélange des liquides chauds à une vitesse rapide. Toujours commencer le mélange des liquides chauds à basse vitesse, passer ensuite à la vitesse rapide lorsque l'appareil est en route.
- Faire attention aux liquides chauds. Des éclaboussures peuvent jaillir du dessous du couvercle, ou bien de la vapeur qui s'échappe de celui-ci peut brûler.

ENTRETIEN DE VOTRE APPAREIL

Produits nettoyants

Solid Supra, Solid Power, _____
Guardian Acclaim, Solid Guardian Plus,
Solid Super Impact, Solid Insure

Diverpak _____
Eclipse H2, Liqui-Safe L7
Acclean
Poly-Brite

Glow MB-1 _____
Lustre NC-25
Lustre Plus

PSRA 41-D, PSRA 41-E _____
Liqui-Ware 1, Liqui-Ware MC
D-Flex, Sur-Met

Produits de rinçage

Solid Rinse Dry, Solid Brilliance, _____
Jet Dry, Rinse Dry

Produit détachant

NuWare _____

Fournisseurs aux É.-U.

Ecolab, Inc., St. Paul, MN
800-352-5326
www.ecolab.com

Diversey, Livonia, MI
800-521-8140

Wesmar Company, Inc.
Seattle, WA 206-783-5344
www.wesmar.com

Anderson Chemical Co.
Litchfield, MN
800-366-2477
www.andersonchemical.com

Ecolab, Inc., St. Paul, MN
800-352-5326
www.ecolab.com

Diversey, Livonia, MI
800-521-8140

REMARQUES IMPORTANTES!

Produits nettoyants : Ne pas utiliser de produits nettoyants abrasifs ou d'eau de Javel concentrée pour le nettoyage. Ne pas utiliser de produits nettoyants contenant des désinfectants sur les composants en polycarbonate (ex. bols Advance, couvercles). Ne jamais utiliser les produits nettoyants suivants : détergents de lave-vaisselle automatique, nettoyants de four, laine d'acier ou autre produit abrasif.

Socle-moteur/Panneau de contrôle

1. **Débrancher la prise électrique.**
2. Nettoyer doucement la surface extérieure avec un chiffon de coton humidifié dans une solution d'eau tiède et de détergent non-abrasif ou imbibé de produit nettoyant en aérosol. **Ne jamais immerger le socle-moteur dans l'eau ou dans d'autres liquides.**
3. Nettoyer rigoureusement les interrupteurs afin qu'ils puissent fonctionner librement. Ils peuvent devenir collants à force d'utilisation. Débrancher l'appareil et utiliser un chiffon imbibé d'une solution détergente et d'eau tiède*, pour nettoyer les bords des interrupteurs jusqu'à ce qu'ils puissent bouger librement. Actionnez les interrupteurs plusieurs fois pour détacher les résidus secs qui peuvent être accumulés en dessous. Les interrupteurs peuvent être endommagés ou brûlés s'ils restent collants. Nettoyer soigneusement, en faisant bien attention de ne pas laisser de l'eau ou d'autres liquides pénétrer à l'intérieur de l'interrupteur.
4. Sécher avec un chiffon en coton sec.

Bol et couvercle

Séparer le couvercle et le bouchon. Laver à l'eau savonneuse tiède. Rincer à l'eau courante et sécher. Remonter avant utilisation. (Voir page 69).

1. **Pour nettoyer :** Remplir $\frac{1}{4}$ du bol avec de l'eau tiède (110°F / 43°C) et ajouter quelques gouttes de détergent liquide pour vaisselle.** Réinstaller le bol sur le socle-moteur et positionner fermement le couvercle à deux parties. Faire fonctionner l'appareil pendant 30 secondes. Vider le bol. Recommencer cette étape.
2. **Pour rincer :** Remplir le bol au $\frac{3}{4}$ avec de l'eau tiède (110°F / 43°C) - ne pas ajouter de savon. Réinstaller le bol sur le socle-moteur et positionner fermement le couvercle à deux parties. Faire fonctionner l'appareil pendant 30 secondes. Vider le bol.
3. S'il reste des résidus solides, démonter l'assemblage de lames (voir page 71) et laver toutes les pièces du bol à l'eau savonneuse tiède. Rincer et égoutter. Remonter avant l'étape suivante. Ne pas faire tremper l'assemblage de lames.
4. **Pour désinfecter :** Si tous les résidus solides sont partis après l'étape 2 ou après avoir suivi l'étape 3, remplir le bol aux $\frac{3}{4}$ avec une solution désinfectante.*** Réinstaller le bol sur le socle-moteur et positionner fermement le couvercle à deux parties. Faire fonctionner l'appareil à haute vitesse pendant 30 secondes. Éteindre l'appareil et laisser la solution dans le bol pendant 1 $\frac{1}{2}$ minutes de plus. Vider la solution désinfectante. Réinstaller le bol sur le socle-moteur et laisser l'appareil fonctionner à vide pendant 5 secondes de plus. Il est inutile de rincer après désinfection. Laisser le bol sécher à l'air.

Couvercle de verrouillage de sécurité (sur les appareils sélectionnés)

Nettoyer avec un chiffon humide directement sur l'appareil ou, pour un nettoyage plus poussé, dégager le couvercle de sécurité des fentes du côté de l'appareil et le nettoyer avec un produit détergent léger. Remonter avant utilisation. Ne pas nettoyer au lave-vaisselle.

REMARQUES IMPORTANTES!

- * S'assurer que l'éponge ou le chiffon utilisé(e) est bien essoré(e) lors du nettoyage à proximité des parties électriques.
- ** Afin de prolonger la durée de vie du bol, Vitamix® recommande d'utiliser un savon à Ph bas, comme un détergent liquide pour vaisselle (Ivory Liquid®).
- *** Solutions désinfectantes recommandées : 1,5 c. à thé / 7,4 ml de Javel industrielle ou domestique dans 2 pte / 2,0 L d'eau.



AVERTISSEMENT!

Couvercle : Ne pas nettoyer la porte du couvercle, la poignée ou le cache arrière au lave-vaisselle. Il n'est pas recommandé de démonter la poignée lors du nettoyage. Toutefois, si vous décidez de démonter la poignée du couvercle, assurez-vous que celle-ci n'est pas trop serrée au moment de la réinstaller sur le couvercle. Faute de quoi, des dommages peuvent se produire.

Bol : Ne pas laisser les préparations, les liquides ou les aliments sécher à l'intérieur du bol. Rincer après usage. Les aliments secs peuvent se coincer autour des lames et affaiblir/endommager le joint du roulement à bille lors du redémarrage. Ne pas mettre le bol au congélateur. Une température très basse associée à des aliments très chauds et/ou à l'action rapide et immédiate des lames peut fendre le bol. En raison de la nature des polycarbonates utilisés pour les bols Advance il n'est pas recommandé de placer ces pièces dans un four à micro-ondes ou un lave-vaisselle.

DÉPANNAGE

Problèmes :	Solutions possibles :
<ul style="list-style-type: none"> Augmentation des vibrations Fuite de la base du bol Augmentation du bruit du bol 	<ol style="list-style-type: none"> Vérifier que l'assemblage de lames ne contient pas de pièces desserrées, ébréchées ou endommagées et remplacer si besoin. Resserrer l'écrou de serrage avec la clé à écrous en tournant dans le sens des aiguilles d'une montre. Voir page 71.
<ul style="list-style-type: none"> L'appareil ne fonctionne pas 	<ol style="list-style-type: none"> Vérifier que le cordon d'alimentation électrique est fermement branché à la prise électrique. Vérifier que l'interrupteur On/Off (Marche/Arrêt) est en position de marche. S'assurer que les interrupteurs sont propres et peuvent être déplacés librement. Il se peut que l'interrupteur thermique ait éteint l'appareil. Couper l'alimentation électrique pendant 45 minutes, au plus, pour réinitialiser. Remarque : Le socle-moteur peut refroidir plus rapidement s'il est placé dans un endroit frais. (Débrancher d'abord.) Essayer de faire circuler de l'air à l'aide d'un aspirateur ou d'un ventilateur dirigé vers le bas du socle-moteur.
<ul style="list-style-type: none"> La zone des lames est très bruyante Les lames ne tournent pas 	<ol style="list-style-type: none"> Il se peut que la douille soit cassée. Vérifier qu'il n'y a pas de fissure en son centre ou de cannelure cassée, remplacer si besoin la douille (Article n° 891). Les instructions sont incluses avec les pièces. Les roulements à bille des lames doivent être remplacés. Faire tourner les lames en utilisant la broche d'entraînement à la base du bol. Si les lames tournent librement et sans résistance, remplacer l'assemblage de lames. Voir page 71. Il est possible que l'axe d'entraînement de l'assemblage de lames soit usé. Vérifier qu'il n'y ait pas de cannelures usées sur l'axe d'entraînement de l'assemblage de lames. Remplacer l'assemblage de lames. Voir page 71.
<ul style="list-style-type: none"> Grincement bruyant du moteur du mélangeur 	<p>Les roulements à billes du moteur doivent être remplacés. Contactez le Service à la clientèle Vitamix®.</p>
<ul style="list-style-type: none"> L'appareil ne démarre pas lorsque le verrouillage de sécurité est engagé. (machines sélectionnées) 	<ol style="list-style-type: none"> Vérifier que le cordon d'alimentation est fermement branché à la prise électrique. Vérifier que l'interrupteur On/Off (Marche/Arrêt) est en position de marche. S'assurer que les interrupteurs sont propres et peuvent être déplacés librement. S'assurer que le couvercle de sécurité est bien en position basse et que le couvercle est bien enclenché dans les fentes du boîtier du moteur

Problèmes :	Solutions possibles :
<ul style="list-style-type: none"> Le fonctionnement de l'appareil est irrégulier L'appareil démarre tout seul L'appareil est demeuré éteint pendant longtemps puis a été allumé, mais il n'y a pas d'alimentation électrique L'appareil n'a pas fonctionné sortir de sa boîte Le réglage sélectionné démarre le mauvais programme (modèle Programmable uniquement) 	<ol style="list-style-type: none"> Essayer de brancher l'appareil dans une autre prise. Restaurer l'appareil à la configuration d'usine. Voir page 68. (Modèle Programmable uniquement) L'appareil peut cesser de fonctionner s'il est surchargé en vitesse lente. Pour refroidir le moteur, réinitialiser en coupant l'alimentation électrique pendant 45 minutes. Contactez le Service à la clientèle Vitamix.

Si vous n'arrivez pas à réparer votre appareil avec l'aide de ces suggestions, vous pouvez communiquer avec le Service d'assistance technique de Vitamix® au (800) 886.5235. Si vous avez acheté votre appareil à l'extérieur des É.-U., contactez votre Distributeur Vitamix local, ou prenez contact avec la Division internationale Vitamix au +1 (440) 782.2450 ou par courriel international@vitamix.com pour trouver un distributeur de votre pays. Pour l'assistance en ligne, visitez vitamix.com.

REMARQUES IMPORTANTES!

Le dispositif automatique de protection de surcharge coupe le moteur lorsque le disjoncteur réarmable s'enclenche. Cela permet de protéger le moteur d'une surchauffe. Le moteur peut s'arrêter pour les raisons suivantes :

- La préparation est trop épaisse
- La préparation contient trop d'ingrédients
- La préparation a été mélangée trop longtemps à une vitesse trop basse.

Interrupteur thermique : Il se peut que l'interrupteur thermique ait coupé le moteur pour le protéger d'une surchauffe. Pour redémarrer, couper le courant et attendre que le moteur refroidisse (jusqu'à 45 minutes). Le socle-moteur peut refroidir plus rapidement s'il est placé dans un endroit frais. (Débrancher d'abord.) Pour accélérer le processus, essayer de faire circuler de l'air à l'aide d'un aspirateur ou d'un ventilateur dirigé vers le bas de la base. Si le moteur paraît surchauffé mais que l'interrupteur thermique n'a pas éteint l'appareil, arrêter d'utiliser l'appareil et enlever le bol de la base. Régler le cadran sur la position #10 pour l'appareil à vitesse variable ou appuyer sur le bouton à impulsion pour l'appareil programmable. Allumer l'appareil et le laisser fonctionner pendant 1 minute. Faire attention de ne pas toucher aux pièces en mouvement.

Si les deux dispositifs de protection sont activés, suivre les instructions de réarmement du disjoncteur, puis faire refroidir le moteur selon les instructions de l'interrupteur thermique.

GARANTIE

ENTRETIEN DU MÉLANGEUR VITAMIX

Afin de maximiser la durée de vie et le bon fonctionnement de votre produit Vitamix®, il est important de suivre quelques conseils simples d'entretien :

1. Inspectez régulièrement la douille d'entraînement pour vérifier que celle-ci n'est pas usée, fendue, craquée ou brisée. En cas de dommages, remplacez la douille d'entraînement par la douille de remplacement incluse avec votre mélangeur. Pour acheter des douilles d'entraînement supplémentaires, contactez Vitamix au 1 800 866-5235 pour trouver un concessionnaire près de chez vous. Pour les clients hors des É.-U., communiquez avec votre distributeur Vitamix autorisé ou communiquez avec la Division internationale de Vitamix au +1 440 782-2450 ou par courriel, à l'adresse suivante : international@vitamix.com pour trouver un distributeur près de chez vous.
2. Faites tourner à la main l'assemblage de roulement à billes des lames pour vous assurer qu'il tourne sans hésitations, mais pas trop librement. Si la rotation de la lame hésite ou est trop aisée, contactez Vitamix pour obtenir des informations relatives à la garantie ou pour trouver le concessionnaire le plus près de chez vous.
3. Ne faites jamais fonctionner l'appareil sans que le socle de centrage soit correctement placé sur la base, et ne retirez jamais le contenant de la base avant l'arrêt du mélangeur et avant que les lames n'aient cessé de tourner.

GARANTIE LIMITÉE (à moins d'indication contraire dans le Contrat)

Vita-Mix® Corporation (ci-après « Vitamix ») garantit à l'utilisateur final original (l'« Acheteur ») que ses mélangeurs commerciaux Vitamix (consistant en un socle-moteur, un contenant et un couvercle, collectivement désignés ci-après comme le « Matériel ») seront exempts de défauts matériels et de fabrication pendant la période de garantie applicable au Matériel tel que décrite ici et sont soumis aux conditions déterminées ci-dessous. Une preuve d'achat est requise.

Ce qui suit constitue les seuls recours de l'Acheteur et établit les seules obligations de Vitamix à l'égard de la garantie.

Aucun employé de Vitamix ni aucune autre personne n'est autorisé à offrir une garantie supplémentaire ou à apporter des modifications à la présente garantie.

OBJET DE LA GARANTIE

A. Garantie du socle-moteur (y compris le tableau de commande et la tablette tactile) :

Vitamix garantit à l'utilisateur final original que :

- Si le socle-moteur présente un défaut matériel ou de fabrication dans les trente (30) jours de la date de l'achat, Vitamix remplacera le socle-moteur par un nouveau socle-moteur.
- Si le socle-moteur tombe en panne entre trente (30) jours et un (1) an après la date d'achat en raison d'un défaut matériel ou d'un défaut de fabrication, Vitamix assumera la responsabilité du coût des pièces détachées et de la main-d'œuvre nécessaires à la réparation du socle-moteur.
- Si le socle-moteur tombe en panne entre un an et trois (3) ans après la date d'achat en raison d'un défaut matériel ou d'un défaut de fabrication, Vitamix assumera la responsabilité du coût des pièces nécessaires à la réparation du socle-moteur.

B. Garantie concernant les éléments suivants : contenant, couvercle, bouchon du couvercle, socle de centrage, module des lames, douille d'entraînement et boîtier antibruit (si inclus) : Vitamix garantit à l'utilisateur final original que si le boîtier antibruit, le contenant, le couvercle, le module des lames ou la douille d'entraînement se brise dans l'année qui suit la date d'achat en raison d'un défaut matériel ou d'un défaut de fabrication, Vitamix assumera la responsabilité du coût de toutes les pièces et de la main-d'œuvre nécessaires à la réparation de la pièce.

La seule obligation de Vitamix dans le cadre de cette garantie est de remplacer ou de réparer la pièce sous garantie tel que le détermine exclusivement Vitamix.

EN AUCUN CAS, QU'IL S'AGISSE DE CONTRAT, D'INDEMNITÉS, DE GARANTIE, DE DÉLIT (Y COMPRIS LA NÉGLIGENCE), DE RESPONSABILITÉ OU AUTRE, VITAMIX NE PEUT ÊTRE TENUE RESPONSABLE DE DOMMAGES PARTICULIERS, INDIRECTS, ACCIDENTELS OU CONSÉCUTIFS POUVANT INCLURE, SANS LIMITATION, LES PERTES DE PROFIT OU DE REVENUS. LA GARANTIE LIMITÉE CI-DESSUS CONSTITUE VOTRE UNIQUE RECOURS, ET VOUS-MÊME ET VITAMIX DÉCLINEZ EXPRESSÉMENT TOUTE AUTRE GARANTIE OU CONDITION, EXPRESSE OU TACITE, LÉGALE OU AUTRE, Y COMPRIS TOUTE GARANTIE TACITE RELATIVE À LA QUALITÉ MARCHANDE OU D'APTITUDE À UN USAGE PARTICULIER ET, SANS LIMITER LA GÉNÉRALITÉ DE CE QUI PRÉCÈDE, VOUS-MÊME ET VITAMIX EXCLUENT EXPRESSÉMENT, DANS LE CADRE AUTORISÉ PAR LA LOI, L'APPLICATION DE TOUTE LÉGISLATION RELATIVE À LA VENTE DE BIENS ET LA CONVENTION DES NATIONS-UNIES SUR LES CONTRATS DE VENTE INTERNATIONALE DE MARCHANDISES, S'IL Y A LIEU.

Certaines juridictions ne permettent pas de limitation des garanties implicites ou des dommages particuliers, indirects ou consécutifs.

EXCLUSIONS DE LA GARANTIE (choses non couvertes)

La garantie ne rembourse pas les frais de réparation attribuables à ce qui suit :

- A. L'usure normale;
- B. Une utilisation excessive, inadéquate ou négligente;
- C. Une altération du Matériel, y compris, sans s'y limiter, le socle-moteur, le contenant, le couvercle ou le boîtier antibruit.
- D. L'exposition à des conditions extrêmes;
- E. Une installation inadéquate du Matériel, y compris, sans s'y limiter, un mauvais travail de main-d'œuvre et le défaut de suivre les instructions fournies et (ou) une mauvaise ventilation des modèles « de comptoir » du mélangeur.

PORTÉE DE LA GARANTIE (conditions de la garantie)

La garantie contenue ici n'est valable que pour l'utilisateur final original et elle n'est pas transférable. Une preuve d'achat est requise pour toute demande de garantie.

Toute garantie offerte par Vitamix est valide uniquement si elle est utilisée selon a) le guide de l'utilisateur, qui se trouve également à l'adresse www.vitamix.com; b) la garantie expresse et c) toute instruction d'entretien, peu importe le moment où elle est fournie.

GARANTIE LIMITÉE suite à la page 80 ►

GARANTIE

ANNULATION DE LA GARANTIE

La garantie du produit est invalide si :

- Le mélangeur est placé dans un boîtier antibruit non fabriqué par Vitamix.
- Une composante d'une pièce garantie du Matériel a été modifiée, altérée, « remise à neuf » ou réparée par une personne autre qu'un employé de Vitamix, un Centre de service Vitamix autorisé ou un distributeur Vitamix autorisé.
- Une composante garantie par Vitamix est utilisée avec une composante non autorisée expressément par Vitamix (c.-à-d. utilisation d'un contenant Vitamix avec un socle-moteur autre que de marque Vitamix et (ou) utilisation d'un socle-moteur Vitamix avec un contenant autre que de marque Vitamix).
- Une pièce du mélangeur est mal installée, y compris, sans s'y limiter, en raison d'un mauvais travail de main-d'œuvre, d'un défaut de suivre les spécifications fournies et (ou) d'une ventilation inadéquate des modèles « de comptoir ».

COMMENT FAIRE RESPECTER LA GARANTIE ET OBTENIR DES RÉPARATIONS

À qui s'adresser pour tout entretien et toute réparation couverts par la garantie :

Advenant le cas où votre mélangeur Vitamix aurait besoin d'entretien ou de réparations selon les conditions de cette garantie, veuillez appeler Vita-Mix Corporation, un centre de service autorisé ou un distributeur local pour obtenir de l'aide relativement à la garantie.

- **Pour les appareils achetés et situés aux É.-U. :**
Appelez le Soutien technique de Vitamix au numéro suivant : 1 800 886-5235.
- **Si vous avez acheté le Matériel à l'extérieur du territoire continental des États-Unis :**
Communiquez avec votre distributeur Vitamix autorisé ou communiquez avec la Division internationale de Vitamix au +1 440 782-2450 ou par courriel, à l'adresse suivante : international@vitamix.com pour trouver un distributeur près de chez vous.

Vous devrez fournir une preuve d'achat du Matériel. Si l'équipe de soutien technique à distance ne peut réparer le Matériel à distance, le Matériel devra faire l'objet d'entretien. L'équipe vous aidera à trouver un centre de service autorisé ou à prendre les arrangements requis pour expédier le Matériel à Vitamix.

COMMENT EXPÉDIER LE MATÉRIEL À VITAMIX EN VUE DE LA RÉPARATION

- A. Obtenez un Numéro d'autorisation de retour avant l'expédition.** Ne retournez pas et n'envoyez pas le Matériel sans l'autorisation de Vitamix. Vitamix n'assumera en aucun cas la responsabilité du coût de réparations non autorisées. Tous les produits retournés doivent avoir leur Numéro d'autorisation de retour (« RA ») inscrit clairement sur l'extérieur de leur boîte. Tout Matériel envoyé à Vitamix sans autorisation ou accord préalable sera renvoyé à l'adresse de l'expéditeur « tel quel », sans réparation.
- B. Emballez correctement l'article à retourner.** Tout article renvoyé à Vitamix doit être expédié dans son emballage d'origine ou dans un emballage suffisant.

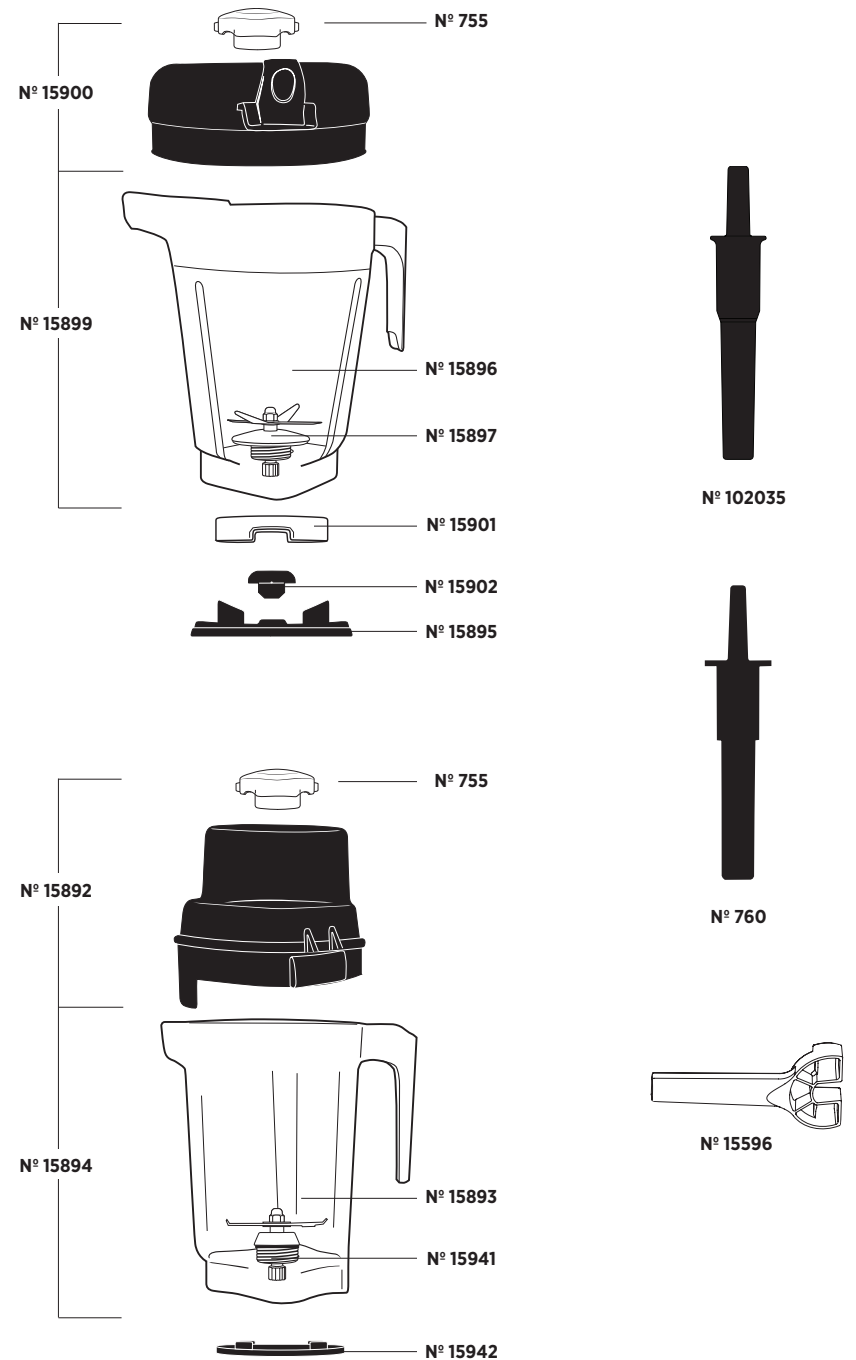
LISTE DES PIÈCES

Vitamix XL®

- N° 15900** Couvercle et bouchon pour bol de 1,5 gal. / 5,6 L
- N° 15899** Bol de 1,5 gal. / 5,6 L, assemblage de lames et assemblage de couvercle
- N° 15896** Bol de 1,5 gal. / 5,6 L uniquement
- N° 15897** Assemblage d'agitateur de lames Vitamix XL® pour bol de 1,5 gal. / 5,6 L
- N° 15901** Écrou de serrage pour bol de 1,5 gal. / 5,6 L
- N° 15892** Couvercle de dispositif d'accélération et bouchon pour bol Advance® de 64 oz. / 2,0 L
- N° 15894** Bol Advance® de 64 oz. / 2,0 L, assemblage de lames et assemblage de couvercle de dispositif d'accélération
- N° 15893** Bol de 64 oz. / 2,0 L uniquement
- N° 15941** Assemblage d'agitateur de lames Vitamix XL® pour bol Advance®
- N° 15942** Écrou de serrage pour bol Advance® (uniquement pour Vitamix XL®)
- N° 15902** Douille d'entraînement
- N° 15895** Socle de centrage Vitamix XL®
- N° 755** LBouchon de couvercle pour bol et bol Advance® de 1,5 gal. / 5,6 L
- N° 760** Dispositif d'accélération
- N° 102035** Dispositif d'accélération (uniquement pour les appareils munis du verrouillage de sécurité)

REMARQUES IMPORTANTES!

- A l'extérieur des É.-U. et du Canada, il est possible que votre appareil soit livré avec une configuration de bol différente. Contactez votre Distributeur Vitamix pour connaître les numéros des articles.
- Mis à part la douille d'entraînement, l'assemblage de lames et l'écrou de serrage, cet appareil ne peut être réparé par l'utilisateur.



SPÉCIFICATIONS

Vitamix XL®

Installation électrique :

- 120 V, 50/60 Hz, 15 amps
- Utilise une prise É.-U. à trois broches mise à la terre.
- L'utilisation d'une prise de 20 amp par appareil est recommandée.

Ne pas utiliser de rallonge électrique avec cet appareil

- 220 - 240 V, 50/60 Hz, 1700 - 1900 Watts
- 100 V (Japon), 50/60 Hz, 1300 Watts

Dimensions :

- 18,1 po / 45,6 cm de haut avec couvercle
- 18,6 po / 47,3 cm de haut avec verrouillage de sécurité fermé
- 26,6 po / 67,6 cm de haut avec blocage de sécurité ouvert
- Profondeur : 190 po / 483 cm
- Largeur : 8,5 po / 21,6 cm

S'il y a lieu :



Pour découvrir la gamme complète des produits Vitamix®,
consultez vitamix.com



Vita-Mix® Corporation Commercial Division

8615 Usher Road, Cleveland, Ohio 44138 É.-U.

Tél : +1 (440) 235.0214 Courriel : commercial@vitamix.com

©2012 Vita-Mix Corporation. Cette publication ne peut être reproduite ou transmise, même en partie, dans n'importe quelle forme et par n'importe quel moyen ou stockée dans une banque de données ou un système d'extraction sans la permission écrite de Vita-Mix Corporation.

Imprimé aux É.-U. 102866 12/12