

**REFRIGERATOR MANUFACTURER**  
**Turbo air**  
 more durable, efficient, beautiful

4184 E. Conant St.  
 Long Beach, CA 90808  
 Tel. 310-900-1000  
 Fax. 310-900-1077  
[www.turboairinc.com](http://www.turboairinc.com)

Project :	
Model # :	
Item # :	Qty :
Available W/H :	
Approval :	

## Drop In Type Horizontal Open Display Cases

Low Profile  
 Solid Side Panel

### FEATURES & BENEFITS

- **Self-Cleaning Condenser**  
 The accumulation of dust in the condenser can cause the failure or breakdown of refrigerators. Refrigerators run normally until they reach a certain level of accumulation. At some point, when they are over the limit, their performance drops quickly resulting in damage to, or disposal of the stored products inside. The Self-Cleaning Condenser device keeps the condenser clean and prevents system failure by automatically brushing daily.
- **Hydrocarbon refrigerants (R-290)**  
 With innovative and eco-friendly technology, Turbo Air brings you hydrocarbon refrigerators designed to meet DOE's Energy Conservation Standards in 2017 and to use EPA's SNAP Program approved HC refrigerants. Hydrocarbon refrigerants do not deplete the ozone layer and have very low contribution to global warming (ODP-0, GWP-3).
- **Modern design**  
 By integrating great contours with durable structures, our modern style product designs are user-friendly while maintaining the highest product visibility and aesthetics. Safety reinforced tempered glass front shield optimizes the merchandiser's display effects of fresh salads, sandwiches, desserts and beverages. Its elegant contemporary euro design will enhance any store application.
- **Designed to enhance impulsive sales**  
 Ideal for eye-catching displays and convenient access with fast service in high traffic area.
- **Standard back-guard improves airflow**
- **Stainless steel interior standard including back wall and deck pans**
- **Perforated interior back wall & open top for improved airflow**
- **Foamed with polyurethane, high-density cell insulation (CFC free)**
- **LED interior lighting**
- **Solar powered digital thermometer**
- **Digital electronic thermostat with defrost control**
- **Energy saving night curtain**

## Model : TOM-48UC-W(B)-N



**TOM-48UC-B-N**



**TOM-48UC-W-N**



\* Bottom portion will not be visible after installation

### Patented Self-Cleaning Condenser



This product is equipped with a fine mesh filter to the front of the condenser to catch dust, and a rotating brush that moves up and down daily to remove excess buildup outward and away.



Model	CU./FT.	HP	AMPS	Crated Weight (lbs.)	L x D x H† (inches)
TOM-48UC-W(B)-N	6.8	3/4	7.5	423	48 1/4 x 32 1/4 x 32 1/2

# Drop In Type Horizontal Open Display Cases

Low Profile  
Solid Side Panel

## Model : TOM-48UC-W(B)-N

ELECTRICAL DATA	
Voltage	115/60/1
Plug Type	ⓘ NEMA 5-15P
Full Load Amperes	7.5
Compressor HP	3/4
Cord Length (ft.)	97/8
Refrigerant	R-290
DIMENSIONAL DATA	
Net Capacity (cu. ft.)	6.8
Ext. Dimension (L x D x H†) (in.)	48 1/4 x 32 1/4 x 32 1/2
Int. Dimension (L x D x H) (in.)	45 x 23 1/4 x 11 1/4
Net Weight (lbs.)	346
Gross Weight (lbs.)	423

Design and specifications subject to change without notice.  
Actual shipping weight may differ due to extra packing materials for product protection.  
† Height does not include 1/4" for roller height.

■ **WARRANTY : 2 Year Parts and Labor Warranty  
Additional 3 Year Warranty on Compressor**

■ **STANDARD FEATURES**

- Simple plug-in installation
- No plumbing required
- White and black color come standard

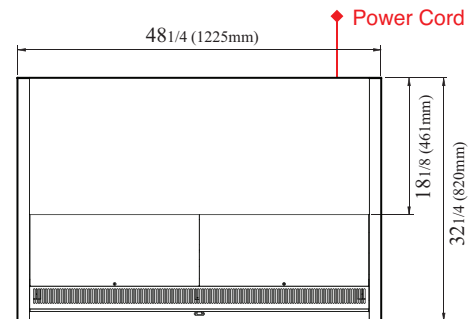
\*\* Lead time applies. Please contact your sales representative for more details to order.

■ **Recommended operating conditions**

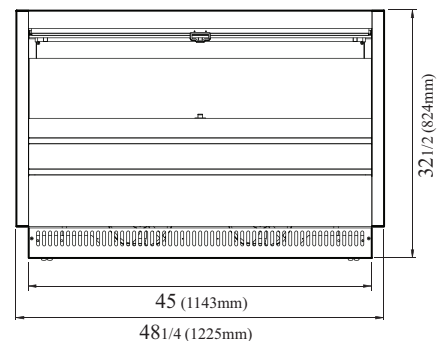
TOM models are designed to operate in an environment where temperature & humidity do not exceed 80°F and 55% respectively. Units should not be installed near HVAC vents, fans or doorways that will disrupt the air curtain and compromise the function of the cabinet. Air curtain models will run most efficiently when completely loaded with product. When used as a built-in, required clearance for the rear is 4" and the top is 5".

## PLAN VIEW

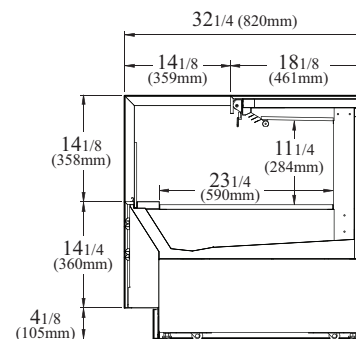
(unit : inch)



TOP VIEW



FRONT VIEW



SIDE VIEW

Ver.20200422



- Turbo Air : 800-627-0032
- GK : 800-500-3519
- Warranty : 800-381-7770
- AC : 888-900-1002

REFRIGERATOR MANUFACTURER  
**Turbo air**

**GERMAN KNIFE**

**RADIANCE**

REFRIGERATION SYSTEM  
**Turbo air**

**TEXAKING**