

REFRIGERATOR MANUFACTURER
Turbo air
 more durable, efficient, beautiful

4184 E. Conant St.
 Long Beach, CA 90808
 Tel. 310-900-1000
 Fax. 310-900-1077
www.turboairinc.com

Project :

Model # :

Item # :

Qty :

Available W/H :

Approval :

Vertical Open Display Cases

*Slim Profiles
 Glass Side Panel*

Model : TOM20-75N-W(B)

≡ FEATURES & BENEFITS ≡

▪ **Self-Cleaning Condenser**

The accumulation of dust in the condenser can cause the failure or breakdown of refrigerators. Refrigerators run normally until they reach a certain level of accumulation. At some point, when they are over the limit, their performance drops quickly resulting in damage to, or disposal of the stored products inside. The Self-Cleaning Condenser device keeps the condenser clean and prevents system failure by automatically brushing daily.

▪ **Hydrocarbon refrigerants (R-290)**

With innovative and eco-friendly technology, Turbo Air brings you hydrocarbon refrigerators designed to meet DOE's Energy Conservation Standards in 2017 and to use EPA's SNAP Program approved HC refrigerants. Hydrocarbon refrigerants do not deplete the ozone layer and have very low contribution to global warming (ODP-0, GWP-3).

▪ **Modern design**

By integrating great contours with durable structures, our modern style product designs are user-friendly while maintaining the highest product visibility and aesthetics. Safety reinforced tempered glass front shield and side walls optimize the merchandiser's display effects of fresh salads, sandwiches, desserts and beverages. Its elegant contemporary euro design will enhance any store application.

▪ **Designed to enhance impulsive sales**

Ideal for eye-catching displays and convenient access with fast service in high traffic area.

▪ **Digital temperature controller**

▪ **LED interior lighting under each shelf**

▪ **Tempered glass shelves standard (Cantilever type)**

▪ **Bottom glass shelf and stainless steel back wall with a mirror finish**

▪ **Exterior is white (black) with a mirror finish**

▪ **Standard back-guard improves airflow**

▪ **Foamed with polyurethane, high-density cell insulation (CFC free)**

▪ **Perforated interior back wall and top for improved airflow**

▪ **Front air intake and rear air discharge**

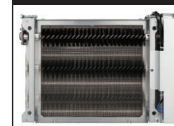


TOM20-75N-W



TOM20-75N-B

Patented Self-Cleaning Condenser



This product is equipped with a fine mesh filter to the front of the condenser to catch dust, and a rotating brush that moves up and down daily to remove excess buildup outward and away.

NATURAL Refrigerant

SP SANITATION C

SP US

2 YEAR WARRANTY

Compressor 5 YEAR WARRANTY

Model	CU./FT.	# of Shelves	HP	AMPS	Crated Weight (lbs.)	L x D x H [†] (inches)
TOM20-75N-W(B)	4.8	4	3/4	6.9	440	19 5/8 x 25 5/8 x 72 1/2

Vertical Open Display Cases

Slim Profiles
Glass Side Panel

Model : TOM20-75N-W(B)

ELECTRICAL DATA	
Voltage	115/60/1
Plug Type	Ⓜ NEMA 5-15P
Full Load Amperes	6.9
Compressor HP	3/4
Cord Length (ft.)	10 ³ / ₄
Refrigerant	R-290
DIMENSIONAL DATA	
Net Capacity (cu. ft.)	4.8
Ext. Length Overall (in.)	19 ⁵ / ₈ (500mm)
Ext. Depth Overall (in.)*	25 ⁵ / ₈ (650mm)
Ext. Height Overall (in.)†	72 ¹ / ₂ (1842mm)
# of Shelves	4
Shelf Size (L x D)(in.)	(1) 18 x 9, (3) 18 x 11
Net Weight (lbs.)	350
Gross Weight (lbs.)	440

Design and specifications subject to change without notice.
Actual shipping weight may differ due to extra packing materials for product protection.
* Depth does not include 1" for rear spacers.
† Height does not include 2-3/4" for caster height.

■ **WARRANTY : 2 Year Parts and Labor Warranty**
Additional 3 Year Warranty on Compressor

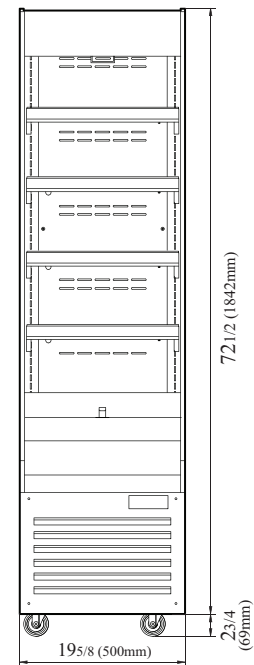
■ STANDARD FEATURES

- Simple plug-in installation
- No plumbing required
- Digital electronic thermostat with defrost control
- 2.5" dia. swivel casters with lock on the front set
- Two color options available: White (W), black (B)

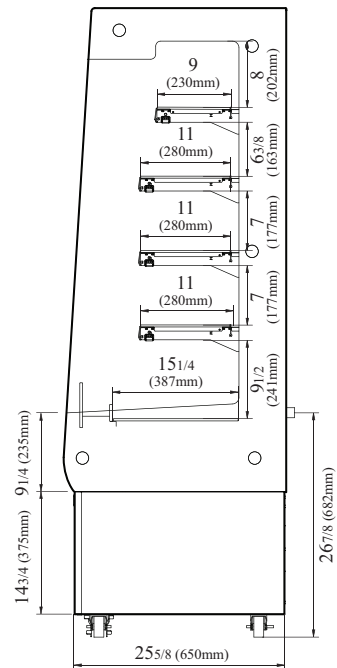
** Lead time applies. Please contact your sales representative for more details to order.

PLAN VIEW

(unit : inch)



FRONT VIEW



SIDE VIEW

Ver.20200820



■ Turbo Air : 800-627-0032 ■ GK : 800-500-3519
■ Warranty : 800-381-7770 ■ AC : 888-900-1002

REFRIGERATOR MANUFACTURER
Turbo air

GERMAN
KNIFE

RADIANCE

REFRIGERATION SYSTEM
Turbo air

Texaking