



CW Series

## CW-SERIES CITRUS SABER<sup>®</sup>

### Citrus Wedging System

The Prince Castle CW-Series Citrus Saber<sup>®</sup> is an economical solution to wedging, perfectly sectioning fruits and vegetables, including lemons, limes and tomatoes into perfect portions. The Citrus Saber<sup>®</sup> is the ideal choice for drinks, salads and garnishes. The Citrus Saber<sup>®</sup> is perfect for operations with minimal counter space due to its compact size.

The Citrus Sabe<sup>®</sup> is constructed of high-impact plastic, making it extremely durable. It is easy to clean and use, and includes an 8 section wedge. Available in both yellow and black.

### FEATURES

- Produces uniform and attractive wedges.
- Easy to use.
- Stainless steel blades recessed deep into handle, ensuring safer operation.
- Simple to clean - just rinse.
- Constructed of high-impact, durable plastic.

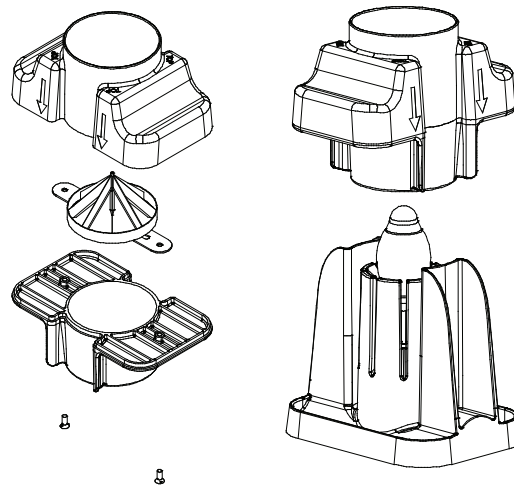
### ORDERING INFORMATION

Model Number	Description
CW-1	Black Citrus Saber (8 section wedger)
CW-6	Yellow Citrus Saber (8 section wedger)
925-059S	Replacement Blade Set for Citrus Saber



### DIMENSIONS

Model Number	Width in(cm)	Height in(cm)	Length in(cm)	Shipping Weight lb(kg)	Shipping cu.ft (cu.m)
CW-Series	8.00 (20.30)	7.03 (17.80)	8.03 (20.40)	2.00 (1.00)	.90 (.03)



### CERTIFICATIONS



Designs and Specifications are subject to change without notice.