

OPERATING INSTRUCTIONS

Dice Witch® Model No. 910-A



Dice onions and vegetables quickly and evenly with the Prince Castle Dice Witch®. Place a vegetable on the Dice Witch® and with one downward stroke, the pusher head gives you perfectly diced sections. This versatile machine can be used for tomatoes, potatoes, apples, or any firm vegetable...it even cuts fries! The solid construction provides for long, reliable service. A sturdy frame sits balanced on four legs with nonskid rubber feet for safe operation. Precise, sharp stainless steel blades ensure a clean cut with every stroke.

SPECIFICATION

910-A	Dimensions
Width	10" (25.4 cm)
Depth	9" (22.9 cm)
Height	21" (53.3 cm)
Shipping Weight	8 lbs. (3.6 kg.)

TABLE OF CONTENTS

PAGE

Installation	2
Operating	2
Cleaning	3
Maintenance	3
Parts List.....	4

LIMITED WARRANTY

This Product is warranted to be free from defects in material and / or workmanship for a period of (2) years from date of original installation not to exceed 30 months from date of shipment from our factory, **with the exception of blades**. Blades are warranted to be free from defects at time of delivery only.

Any component which proves to be faulty in material and/or workmanship will be replaced or repaired (at the option of Prince Castle, Inc.) without cost to the customer for parts or labor.

This warranty is subject to the following exceptions/conditions:

- Use of any non-genuine Prince Castle parts voids this warranty. All genuine Prince Castle replacement spare parts, **with the exception of blades**, are warranted for ninety (90) days from date of purchase.
- This equipment is portable; charges for on location service (e.g., trip charges, mileage) are not included in the provisions of this warranty.
- Damage caused by carelessness, neglect, and/or abuse (e.g., dropping, tampering or altering parts), equipment damaged in shipment, by fire, flood or an act of God is not covered under this warranty.

INSTALLATION

1. After you have removed the Dice Witch® from the carton, inspect the unit for signs of damage. If there is damage to the unit:
 - Notify carrier within 24 hours after delivery.
 - Save carton and packing materials for inspection purposes.
 - Contact the Prince Castle Customer Sales Department at 1-800-722-7853 to arrange for a replacement to be sent.
2. Verify that all parts have been received.



CAUTION: Blades are extremely sharp.

OPERATION

1. Wash product and remove core and blemishes using Prince Castle Model 953 Tomato Core-It®. See figure 1.

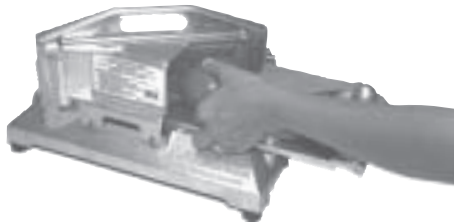
figure 1



IMPORTANT: Onions must be peeled

2. Slice product using Prince Castle Model 919 Series Tomato Witch or Model 911 Series Onion Witch. See figure 2.

figure 2



3. Place Dice Witch over a pan on a clean sanitized prep table.

IMPORTANT: A sink area should not be used.

4. Lubricate guide rods before dicing the first product of the day.
5. Make sure thumbscrews on blade cover are tight before dicing.
6. Grasp handle and pull all the way up to end of guide rods.
7. Insert sliced product with core side down. See figure 3.

figure 3



8. Push handle down with a quick firm stroke until the pusher head stops. The product will be completely diced. See figure 4.

figure 4



CLEANING



CAUTION: Blades are very sharp.

1. Spray the blade assembly and pusher head with hot water to remove residue.
2. Brush the blades (from the topside) and the pusher head with a brush and hot soapy water. Order Prince Castle Model 912-107 Cleaning Brush.



CAUTION: Do not clean between the pusher head teeth with sharp objects.

3. Rinse by spraying with hot water.
4. Let air dry.

REPLACING BLADES

1. Remove pusher head from unit.
2. Remove the two thumbscrews (Item 2 in exploded view) and the blade cover (Item 3 in exploded view) from unit.



CAUTION: Blades are very sharp, handle with extreme care.

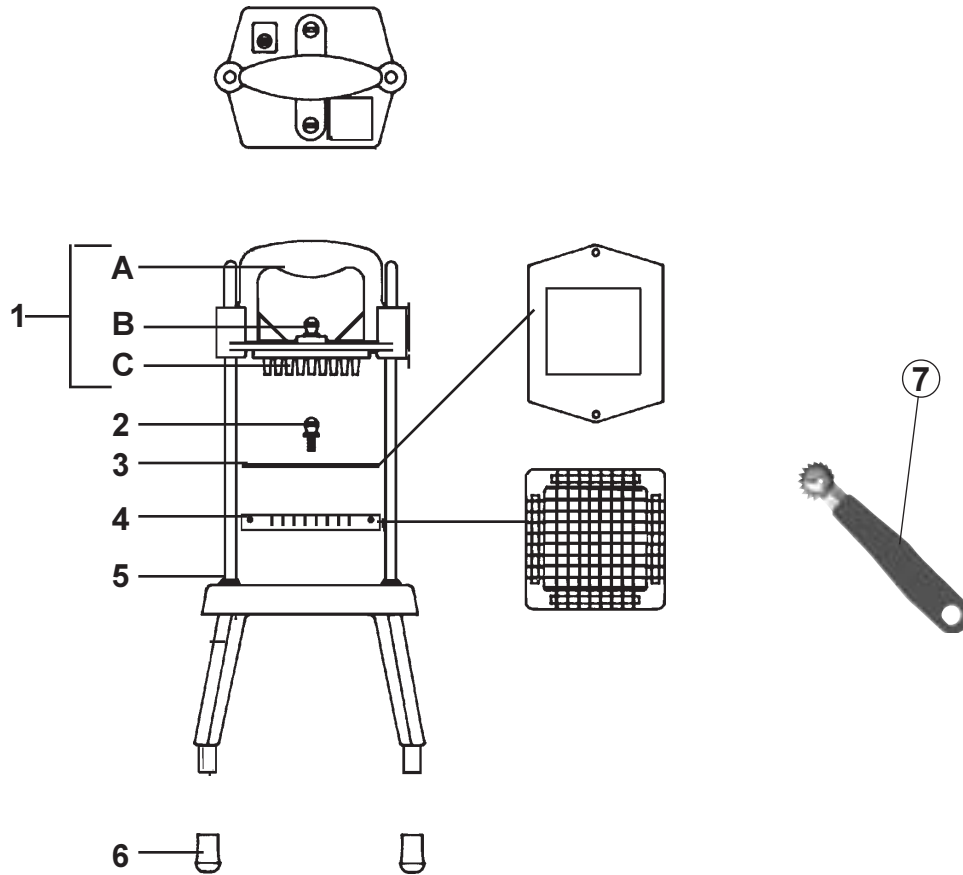
3. Remove old blade set by pushing blade frame up and out from bottom of unit.
4. Discard old blade set.
5. Place new blade set in unit with sharp edges of blades facing up.
6. Place blade cover on top of blade set and tighten the two thumbscrews.

An extra set of blades is advisable to ensure little or no dicing interruptions with your Dice Witch®. These may be ordered from your Prince Castle Service Center. Order Part No. 910-50.

TROUBLESHOOTING CHART

PROBLEM	PROBABLE CAUSE	CORRECTIVE ACTION
Pusher head is hard to push.	Friction on guide rods.	Lubricate guide rods.
Pusher head hitting blades.	Thumbscrews on pusher head assy. loose.	Tighten thumbscrews on pusher head assy.
Product not dicing.	Blades dull.	Replace blades.

EXPLODED VIEW



PARTS LIST

ITEM	PART NO.	DESCRIPTION
1	910-38S	Complete Pusher Head Assy. (Consists of Items A, B & C)
A	910-34	Pusher Head Handle
B	76-563	Thumbscrews
C	910-38	Pusher Head
2	76-582S	Thumbscrews (Package of 2)
3	910-39	Blade Cover
4	910-50	Blade Set
5	910-8	Guide Rod Cushions (Package of 2)
6	89-959S	Feet (Package of 4)
7	953	Core-It