



**Easy Grill Scraper™
N55825
OPERATING INSTRUCTIONS**

Important

1. To get the best operation and life from your machine, please read and comply with these instructions.
2. Clean scraper thoroughly before and after all uses using cleaning instructions below
3. Minimize the use of alkaline cleaners as they may cause pitting and dulling of the finish.

OPERATION

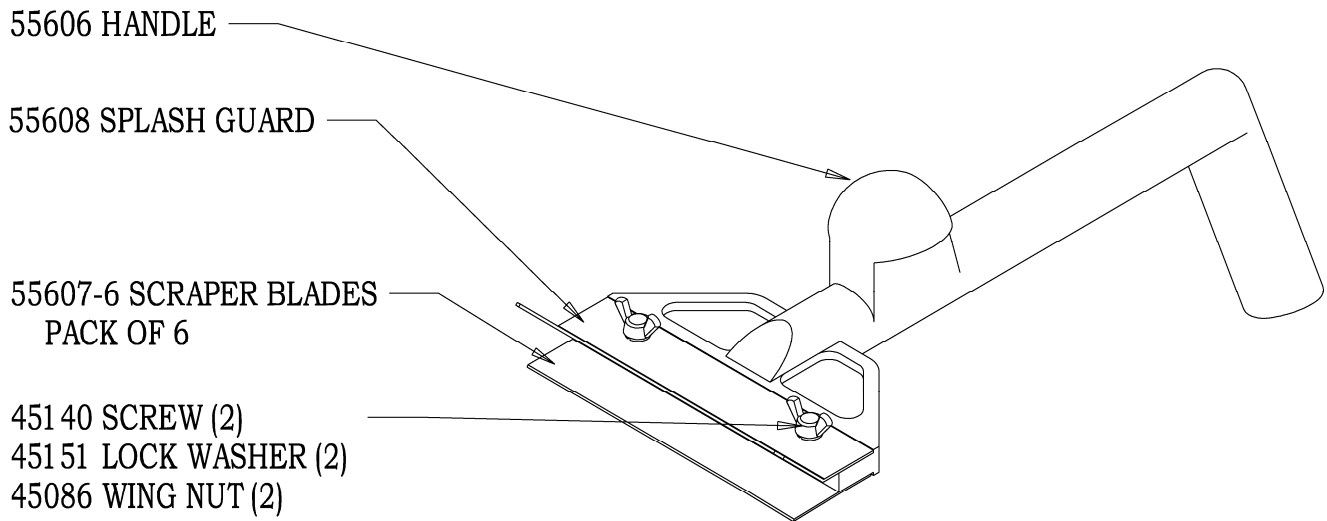
1. Hold the Easy Grill Scraper™ with one hand on the handle and one hand on the knob.
2. Place blade on grill.
3. Clean grill by pushing down and forward.

CLEANING

NOTE: Proper maintenance plays an important part in the life span and functioning of the unit

1. Spray off scraper after heavy usage.
2. Wash scraper in hot, soapy water.

Note: Harsh chemicals and cleaners with high alkalinity along with food acids will cause premature dulling of the blade and corrode the metal. Clean immediately after each use.



NEMCO FOOD EQUIPMENT

Phone: (419) 542-7751

Fax: 419-542-6690

www.nemcofoodequip.com

301 Meuse Argonne, Hicksville, OH 43526

Toll Free: 1-800-782-6761

45881
9/11/12