

Index PDF	Référence	Designation commerciale	Tarif
1	89534	HANDLE (L+R) + SCREW + CAP SCREW MP	52.40 USD
2	89533	WATERPROOF NESS + SCREW + CAP SCREW KIT	15.60 USD
3	89360	CAP HANDLE KIT +SCREW+CAP SCREW	14.50 USD
4	89508	VENT COVER (x2)	10.70 USD
5	89634	MP NSF PROTECTION	13.20 USD
6	89662	MP / CMP DISMOUNT TOOL	34.00 USD
7	89629	MP WALL SUPPORT	44.00 USD
8	89464	MP T 120V USA CIRC BOARD+SCREW+CAP SCREW	85.70 USD
9	89459	MP T 120V ELECT WIRING+SCREW+CAP SCREW	26.50 USD
10	89530	MP / CMP KNOBS KIT + SCREW + CAP SCREW	26.60 USD
11	89365	MICROSWITCH + SCREW + CAP SCREW	16.70 USD
12	89364	COMMAND ARM KIT + SCREW + CAP SCREW	52.60 USD
13	89397	MP 120V POWER CORD CAP SCREW + SCREW	44.30 USD
14	89621	MP SCREW M4x105 (x4)	5.00 USD
15	89532	MP / CMP HANDLE SCREW (x4)	11.90 USD
16	89588	MP450 T FERRULE	22.10 USD
17	89573	MP 600 VENTILATOR	14.80 USD
18	89577	MP 600 AIR DUCT	9.50 USD
19	89562	(BA) Motor, MP450 Turbo	310.60 USD
20	89569	MP VENTILATOR PIPE	6.60 USD
21	89537	MPA 120V BRUSHES KIT (x2)	15.70 USD
22	89519	MP450 120V INDUCED CIRC	146.60 USD
23	89507	MP MOTEUR BEARING	36.10 USD
24	89615	RECTIFIER BRIDGE	41.00 USD
25	89636	ADHESIF SECURED LABEL	2.70 USD

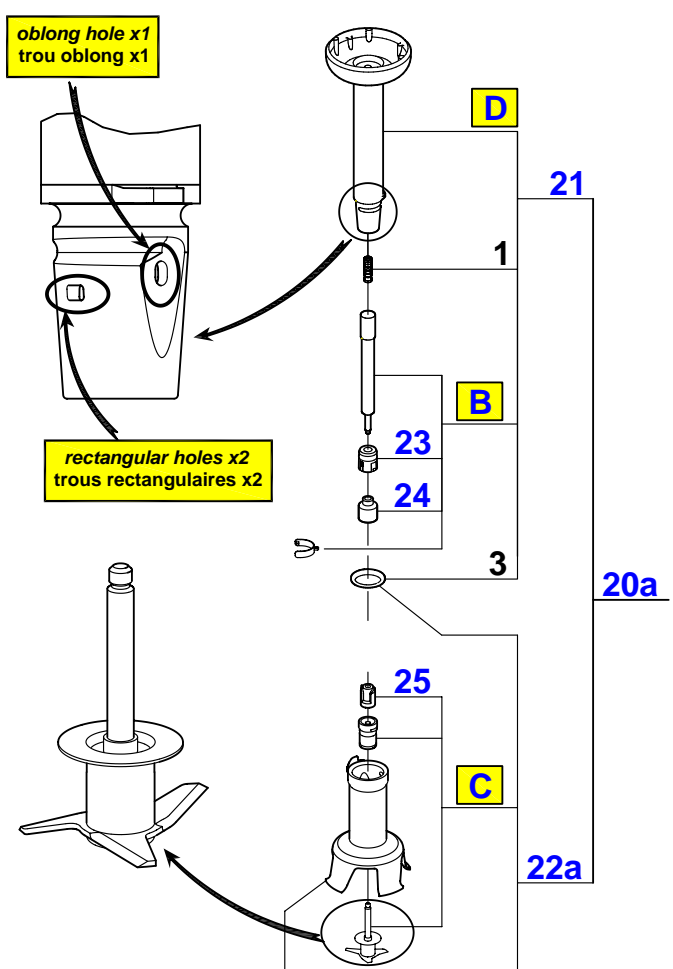
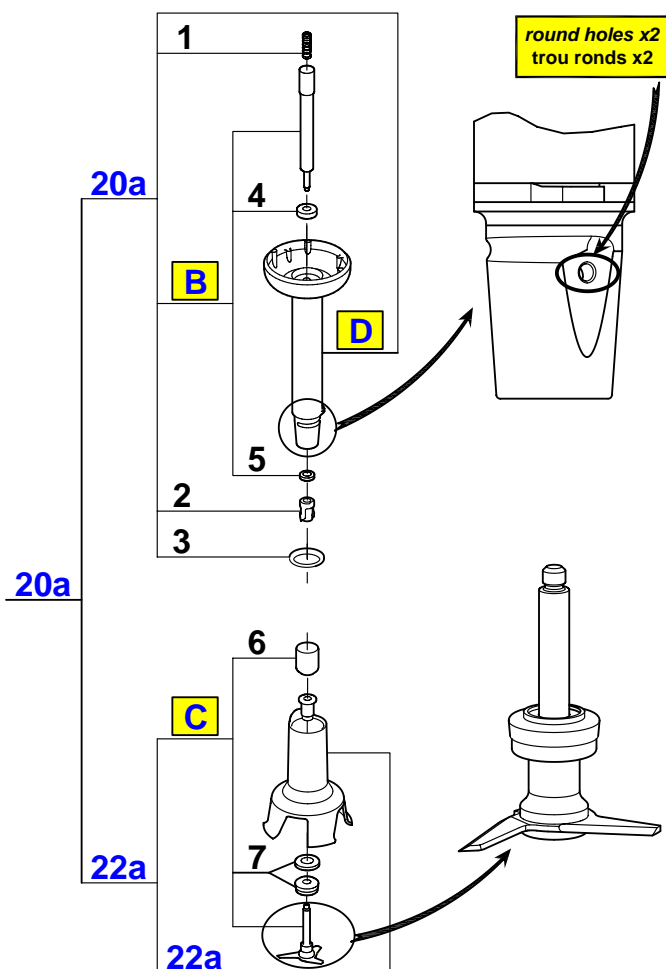
Determine the series of the tube & end bell to order some parts (see table below)

Déterminer la version du tube & de la cloche pour commander certaines pièces (voir tableau ci-dessous)

	<i>Original version : Tube & end bell</i> Version origine : Tube & cloche	<i>Tube original series & end bell series A</i> Tube version origine & cloche version A	<i>Tube series A & end bell original series</i> Tube version A & cloche version d'origine	<i>Tube series A & end bell series A</i> Tube version A & cloche version A
B	8	8		26
C	9	27		27
D	20a	21		21

Original series : Tube & end bell
Version d'origine : Tube & cloche

Series A : Tube & Stainless Steel end bell
Version A : Tube & cloche INOX



WARNING : All indexes followed by the letter a are replaced by series A parts or assemblies
ATTENTION : Tous les index suivis de la lettre a sont des pièces ou ensemble remplacés par la version A

Single Speed**Models with
Mixer Only****Diagram n°2**

Index PDF	Référence	Designation commerciale	Tarif
1	89619	MP FOOT SPRING	2.20 USD
2	89627	MP/CMP DRIVING HUB	28.90 USD
3	89628	MP / CMP FOOT SEAL	7.30 USD
4	89644	STAINL ST BEAR 608 2RS	9.90 USD
5	89646	SEAL 8x18x5	10.20 USD
6	89626	MP/CMP DRIVING FRAME	28.70 USD
7	89642	SEAL RING	25.00 USD
8	29506	Shaft Assy. (450)	126.90 USD
9	89503	MP450 BLADE	107.20 USD
20a	39338	MP450A COMPLETE FOOT	447.90 USD
21	39339	MP450 A FOOT	245.60 USD
22a	39335	MP450 A BELL COVER	243.00 USD
23	39334	MPA FOOT BEARING RACE	35.90 USD
24	89624	STAINLESS STEEL DRIVING FRAME	28.90 USD
25	89625	MPA DRIVING HUB	23.60 USD
26	39340	MP450 A DRIVING SHAFT	99.80 USD
27	39337	MP450 A BLADE	103.40 USD