

KB3000-AHL Adult Changing Station Technical Data Sheet

Pre-Installation Requirements

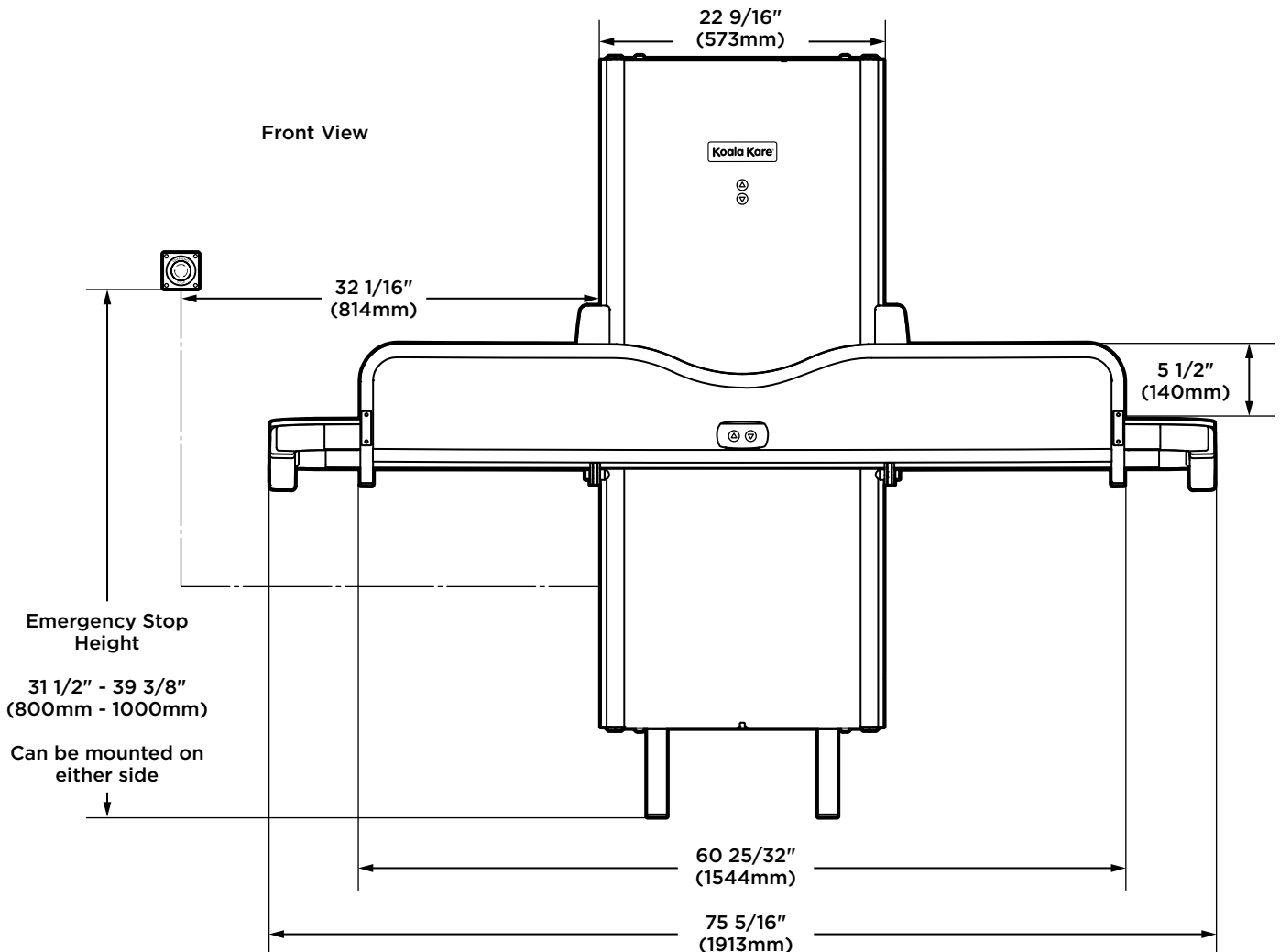
Electrical requirement: A switched 110v, electrical supply is required. A waterproof electrical supply will be required if used in wet room environment in accordance with build code regulations. The unit will be hard wired and should have control switch mounted in an appropriate location to isolate power supply. The emergency stop needs to be installed and traced into the wall.

Fixing requirement: The unit is wall-mounted and can rest on the floor or be wholly fitted to the wall.

The unit requires a minimum of 2" (50mm) at each end of the changing surface when installed.

The wall must be load bearing and strong enough to bear a load of 220lbs at each of the wall fixings. The wall must also be flat and free from obstruction from floor level to the top of the wall mount and the width of the bed length specified, equal about the centerline of the unit. The wall must be faced with a minimum of 1" (25mm) thick marine plywood, secured every 4" (102mm). The plywood must be in contact and supported by the floor a minimum of 67" (1072mm) high.

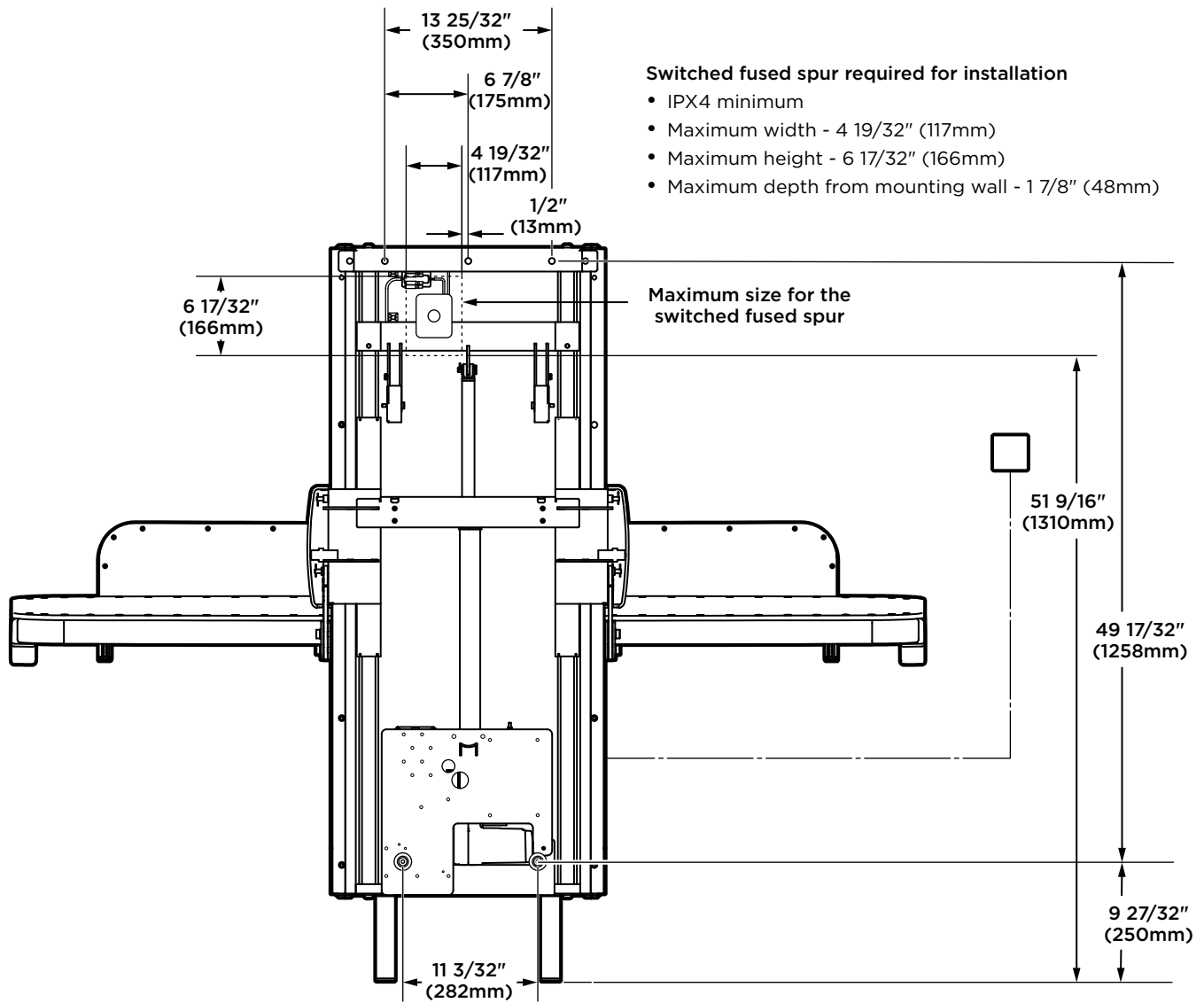
Please Note: The unit cannot be mounted to metal studs or similar unless it has been fully reinforced with timber studs that are secured to the top of the wall and the floor and faced with marine plywood.



*Diagrams are not to scale.



KB3000-AHL Adult Changing Station Rear View



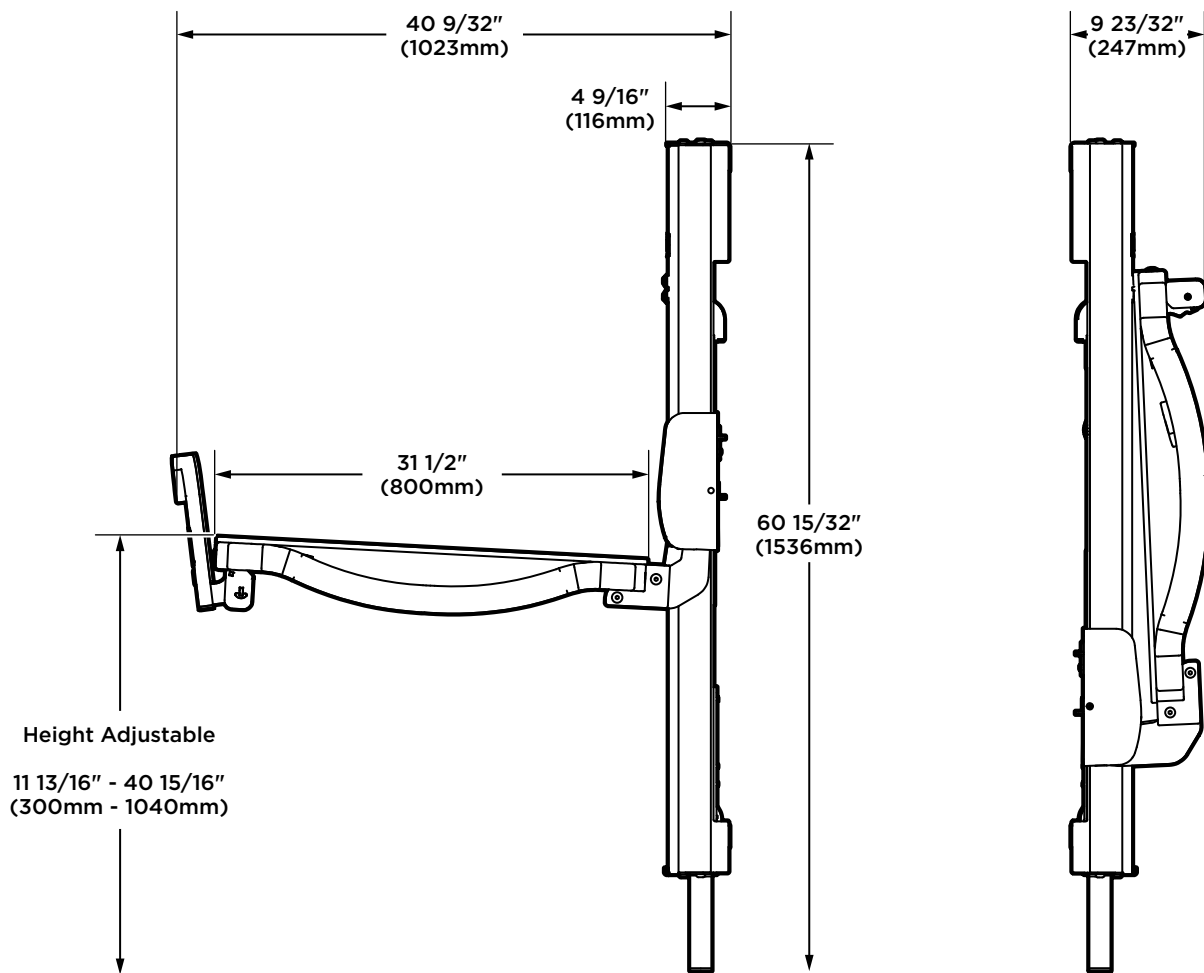
*Diagrams are not to scale.



KB3000-AHL Adult Changing Station Side View

Shown in an open position

Shown in folded position



*Diagrams are not to scale.



KB3000-AHL Adult Changing Station Information

Material

White UHMW PE sheet bed surface, with stainless steel retaining bars. Powder coated 2" (50mm) square steel tube changing surface frame. Stainless steel wall unit covering, with 6mm thick plastic pods to cover hinge mechanism. Powder coated square tube steel guard, backed with UHMW PE.

Operation

Concealed pneumatic cylinders provide controlled, slow opening and closing of changing unit. Has been tested to exceed static load performance requirements of 500lbs when properly installed. Integrated guard allows for single handed operation with lift/drop locking mechanism allows rotation to stow against magnet and has 10° operating angle. Height adjustment controls located on front edge of changing surface and center top of wall unit.

Specification

Surface-Mounted Adjustable Height Adult Changing Station

Basis of Design: Model KB3000-AHL as manufactured by Koala Kare Products, a Division of Bobrick.

Changing surface shall electronically adjust from 12" (300mm) to 41" (1,041mm) from floor. Unit shall have two sets of built-in electronic controls for height adjustment. One located on face of wall cover and one on the front of changing surface. Unit shall be tested to support up to 500 lbs. (227 kg.) static load. Changing Surface shall be polyethylene and meet IK10 standard for resistance to high impact and sharp objects. Unit shall have a built-in backup battery system that allows for continuous operation in the event of a power interruption. Unit shall include a wall-mounted emergency stop to break power to actuator.

Changing Surface shall be a minimum 75 ¼" (1,911mm) long, and 31 ½" (800mm) wide, and can be opened and closed with one-hand. Unit shall have a safety rail with a curved dip in the center for easier patient changing by caregiver. Safety rail rotates and locks under changing bed when in closed position. Unit shall withstand significant exposure to water without damage to electrical components. It shall include a grounded power cord and have a splash-proof control system. Electrical components and wiring shall not come in contact with station users or caregivers. Changing surface shall not have covered areas to help ensure cleanliness. Frame shall be constructed of 2" powder coated steel tubing.

Unit shall have ISO 60601-1 and -2 whole product certification. Unit should be cycle tested through range of motion 28,000 times at 500lbs. Stress tested to 100,000 cycles with 500lbs. bounce load test.

The illustrations and descriptions herein are applicable to production as of the date of this Technical Data Sheet. The manufacturer reserves the right to, and does from time to time, make changes and improvements in designs and dimensions without notice.

Koala Kare Products
A Division of Bobrick

6982 South Quentin Street, Centennial, CO 80112-3945
Main: 303.539.8300 | **Toll Free:** 888.733.3456 | **Fax:** 303.539.8399
Website: koalabear.com | **Email:** customerservice@koalabear.com