



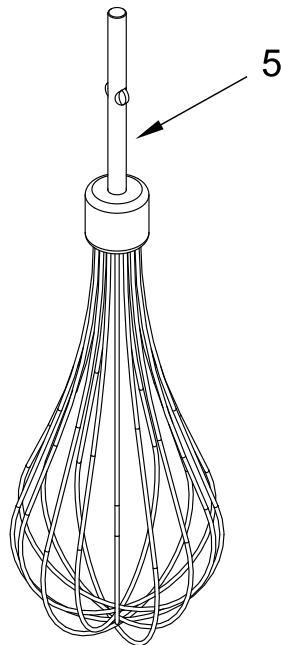
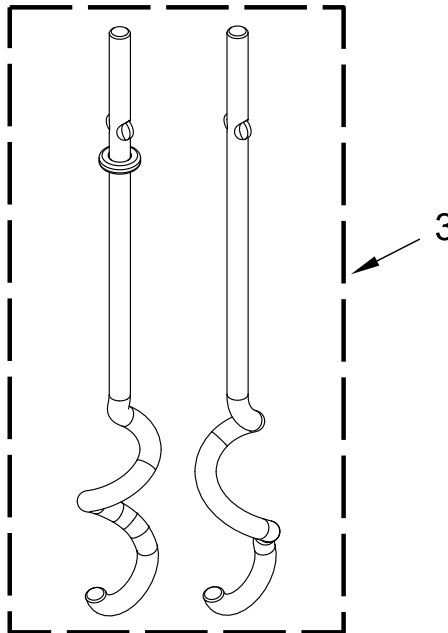
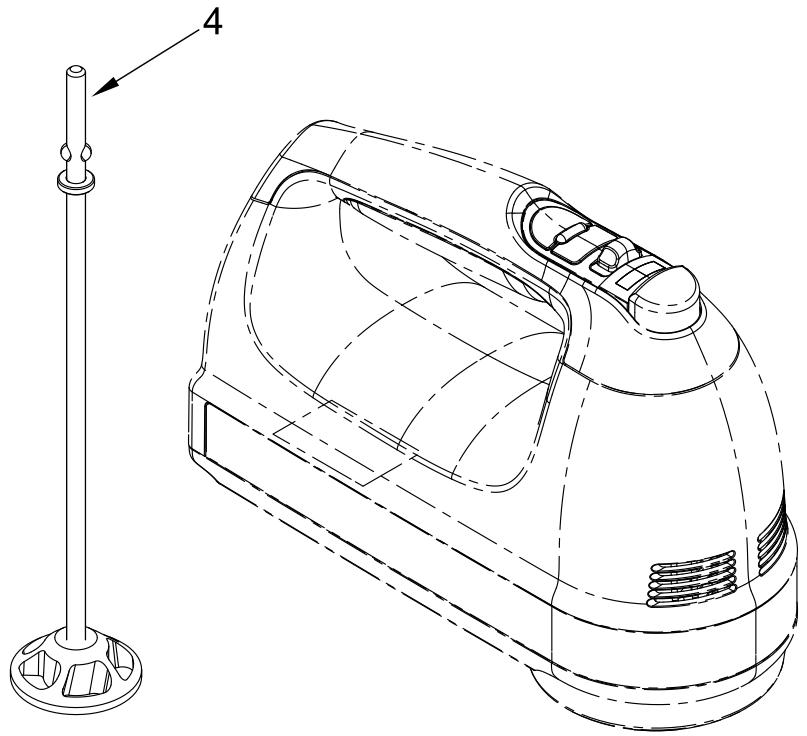
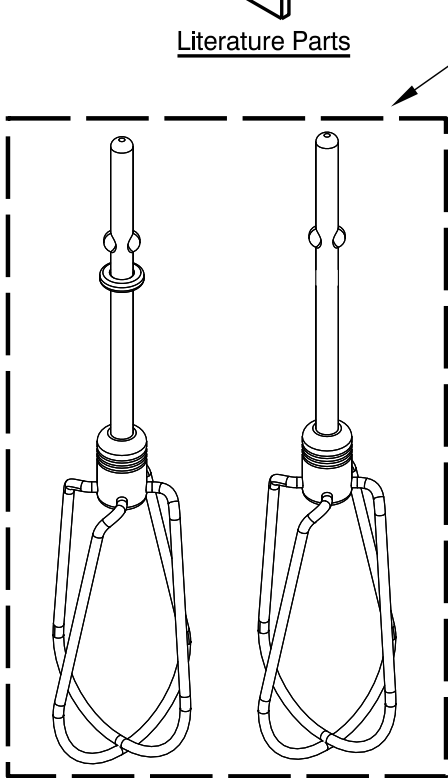
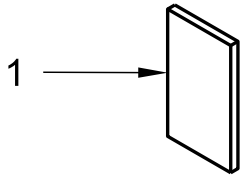
9-SPEED HAND MIXER

MODELS:

KHM926WH0 (White)
KHM926OB0 (Onyx Black)
KHM926ER0 (Empire Red)
KHM926CU0 (Contour Silver)
KHM926CA0 (Candy Apple)
KHM926ES0 (Espresso)
KHM926MS0 (Medallion Silver)
KHM926ACA0 (Candy Apple)
KHM926ACS0 (Cocoa Silver)
KHM926AES0 (Espresso)
KHM926AFP0 (Frosted Pearl)

5KHM926AWH0 (White - Australian)
5KHM926AOB0 (Onyx Black - Australian)
5KHM926AER0 (Empire Red - Australian)
5KHM926APK0 (Pink - Australian)
5KHM926AAC0 (Almond Creme - Australian)
5KHM926ACB0 (Cranberry - Australian)
5KHM926ACU0 (Contour Silver - Australian)
9KHM926WH0 (White - Japan)
9KHM926ER0 (Empire Red - Japan)
9KHM926TG0 (Tangerine - Japan)
9KHM926OB0 (Onyx Black - Japan)

UNIT PARTS



UNIT PARTS

<u>Illus.</u> <u>No.</u>	<u>Part No.</u>	<u>Description</u>
1		Literature Parts
	W10434747	Use and Care Guide, U.S.
	W10466754	Use and Care Guide, Australia
	W10466755	Use and Care Guide, Japan

<u>Illus.</u> <u>No.</u>	<u>Part No.</u>	<u>Description</u>
2	W10531842	Beaters (includes Right and Left)
3	W10490651	Hooks, Dough (includes Right and Left)
4	W10490652	Rod, Blending
5	9702832	Whisk, Wire