



# Parts List

EF1A-FS

# TABLE OF CONTENTS

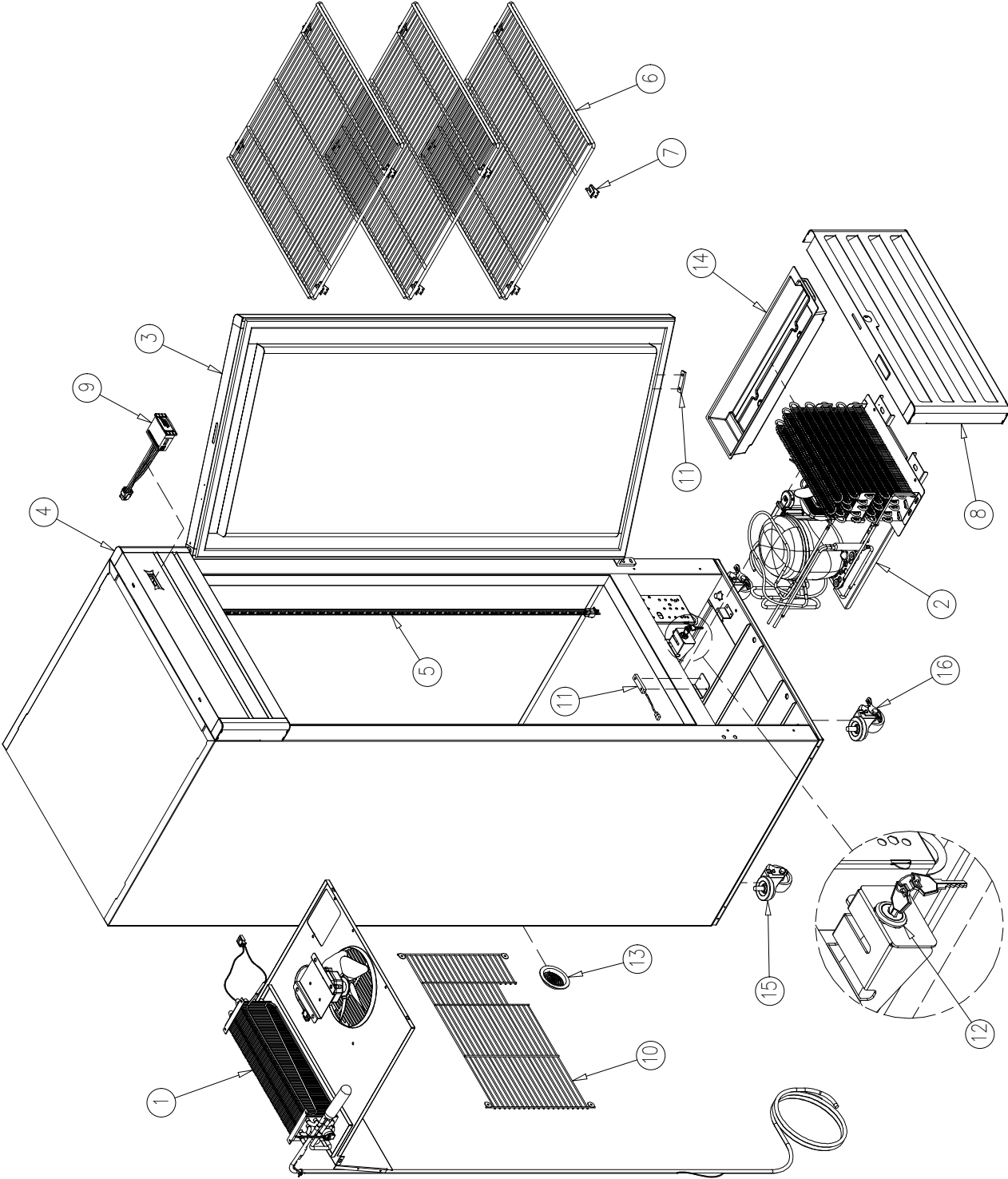
MAIN ASSEMBLY .....	3
EVAPORATOR ASSEMBLY .....	5
CONDENSING UNIT ASSEMBLY .....	7
DOOR ASSEMBLY .....	9
LIGHTING SYSTEM .....	11

**NOTE:**

*To order spare parts, always include the following information:*

- *Model Number* \_\_\_\_\_
- *Serial Number* \_\_\_\_\_

# MAIN ASSEMBLY

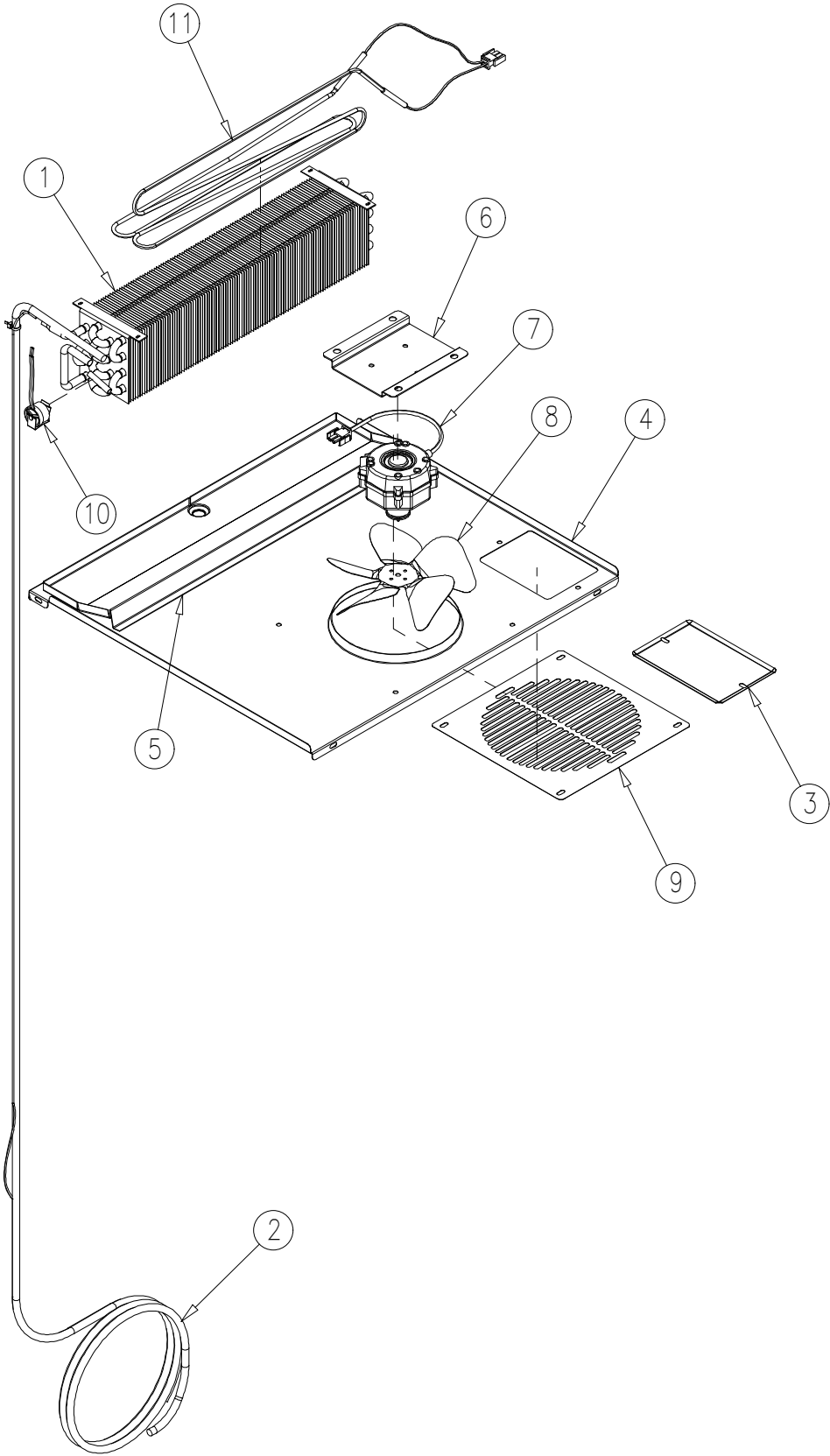


# MAIN ASSEMBLY

---

<i>Item No.</i>	<i>Description</i>	<i>Part No.</i>	<i>Quantity per cooler</i>
1	EVAPORATOR ASSEMBLY	OT-EV-0214	1
2	CONDENSING UNIT ASSEMBLY	OT-UN-0082	1
3	RIGHT DOOR ASSEMBLY	OT-PTA-0241-R	1
4	HEADER SIGN	OT-ROTULO-0217	1
5	PILASTER 48"	PI-5	4
6	FLAT SHELF	SH-0427-HD-GR	3
7	SHELF CLIPS	CL-51-SS-E	12
8	FRONT GRILL	OT-CUBREMOTOR-0285	1
9	ELECTRONIC THERMOSTAT XR07CH	CT-69-DI-142	1
10	BACK GRILL	SH-0561-G-GR	1
11	MAGNETIC SWITCH	EL-306	1
12	KEY SET	HA-471-G	1
13	DECOMPRESSION VALVE	VA-107-V12	1
14	WATER PAN	OT-TF-0383	1
15	BACK SWIVEL BOLT HEAD CASTER	CA-4	2
16	FRONT SWIVEL BOLT HEAD CASTER WITH WHEEL BRAKE	CA-4-BR	2

# EVAPORATOR ASSEMBLY

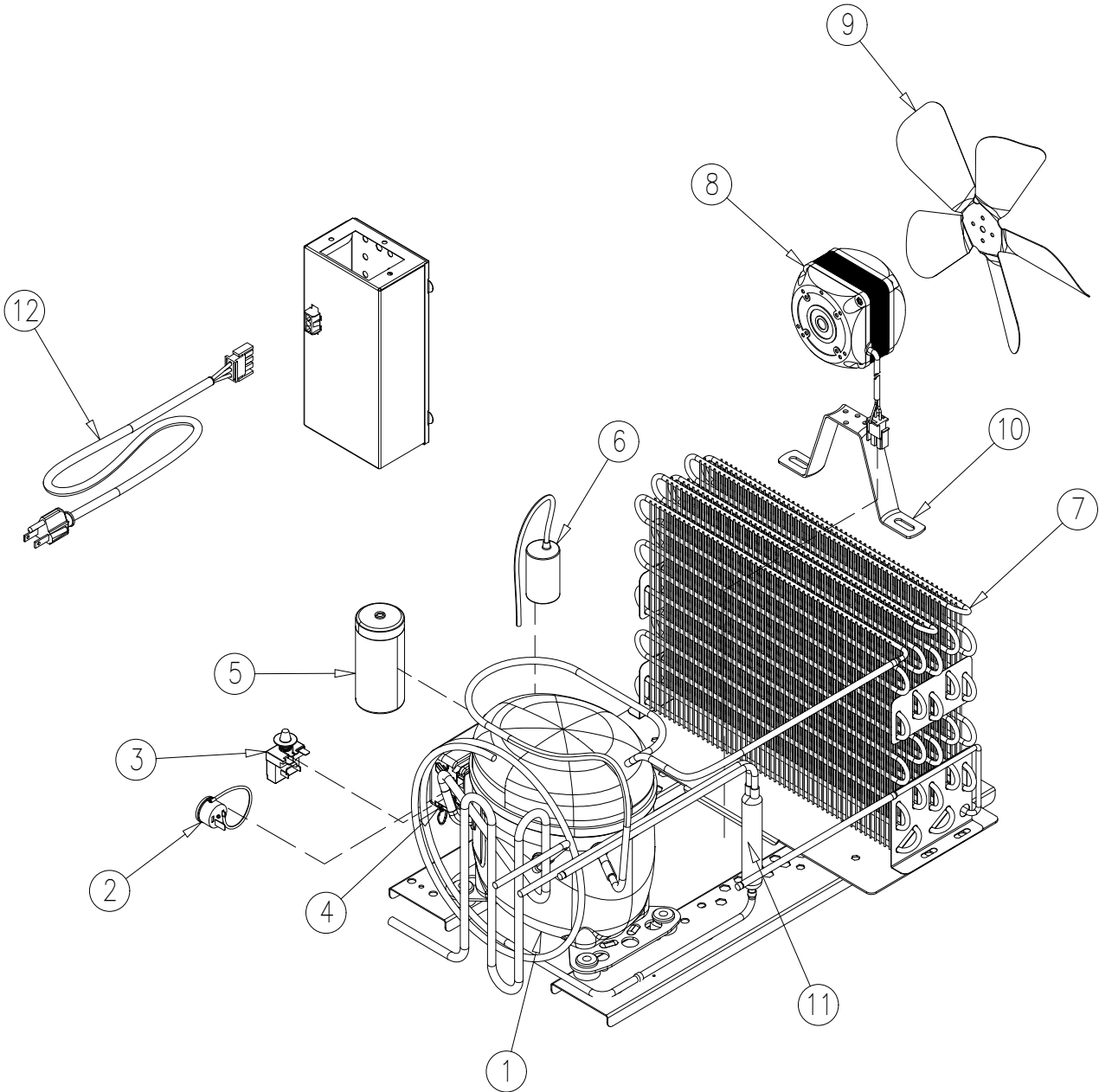


# EVAPORATOR ASSEMBLY

---

<i>Item No.</i>	<i>Description</i>	<i>Part No.</i>	<i>Quantity per cooler</i>
1	EVAPORATOR	CO-312	1
2	HEAT EXCHANGER	TUB-0554	1
3	BAFFLE COVER	OT-10442	1
4	BAFFLE	OT-19336	1
5	EVAPORATOR DRAIN PAN	OT-17097	1
6	EVAPORATOR FAN MOTOR BRACKET	OT-16776	1
7	EVAPORATOR FAN MOTOR	FA-41	1
8	EVAPORATOR FAN BLADE	FA-2-EBM	1
9	FAN GUARD	OT-2395	1
10	THERMODISK	OT-CT-11-R-EM	1
11	DEFROST ROD HEATER	EL-238-D-R290	1

# CONDENSING UNIT ASSEMBLY



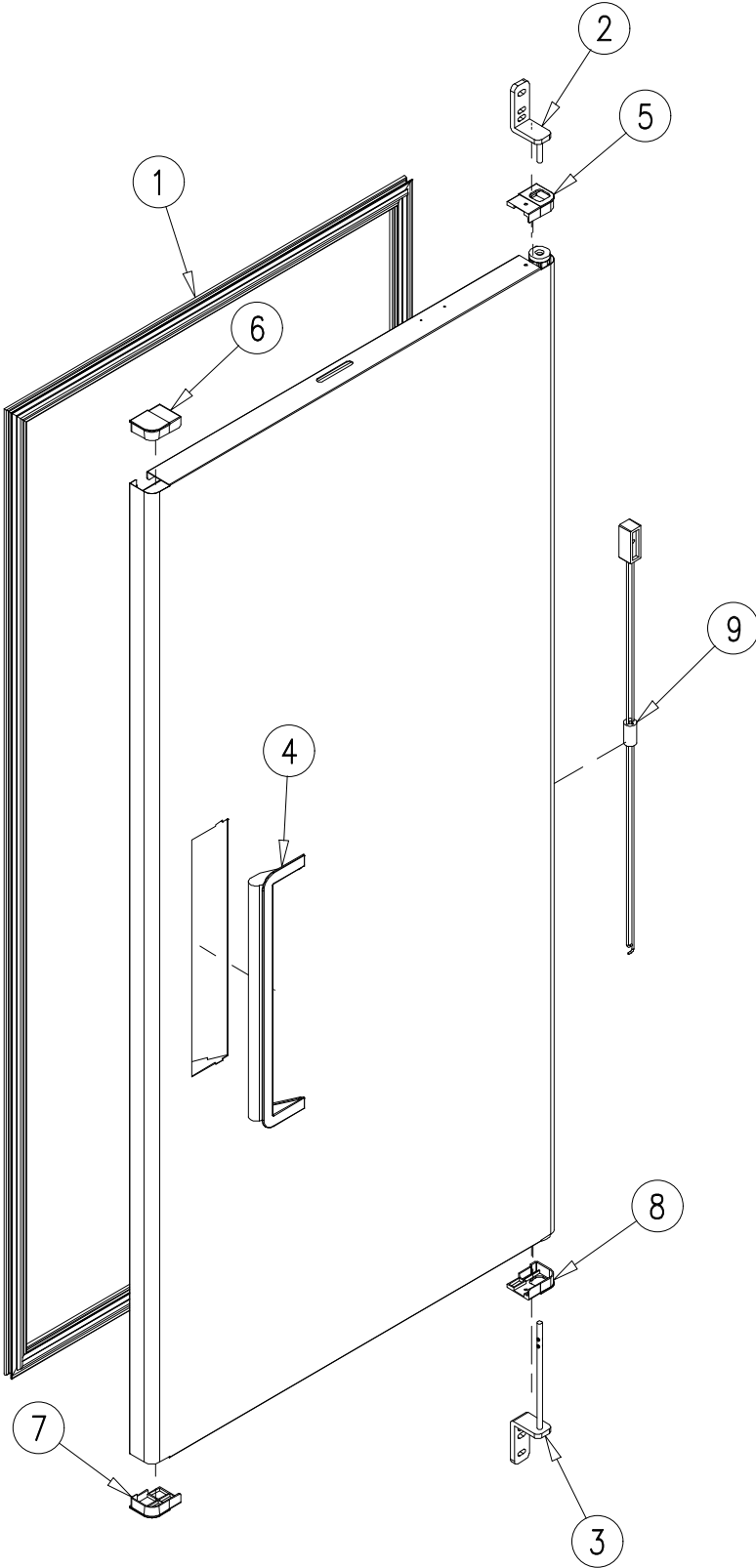
# CONDENSING UNIT ASSEMBLY

---

<i>Item No.</i>	<i>Description</i>	<i>Part No.</i>	<i>Quantity per cooler</i>
1	1/3HP 115-127V/60HZ R-290 COMPRESSOR	NUY90NRB	1
2	T0535 EXTERNAL PROTECTOR	EL-2151-R	1
3	2014 180 RELAY	EL-2152-R	1
4	ELECTRICAL BOX	EL-2153-R	1
5	150 $\mu$ F 160V START CAPACITOR	CAP-150-160	1
6	10 $\mu$ F 250V RUN CAPACITOR	CAP-10-250	1
7	CONDENSER	CO-453	1
8	CONDENSER FAN MOTOR	FA-41	1
9	CONDENSER FAN BLADE	FA-11-WE	1
10	CONDENSER FAN MOTOR BRACKET	FA-18	1
11	DRIER	DR-31-P	1
12	POWER CORD	EL-1265-9	1



# DOOR ASSEMBLY



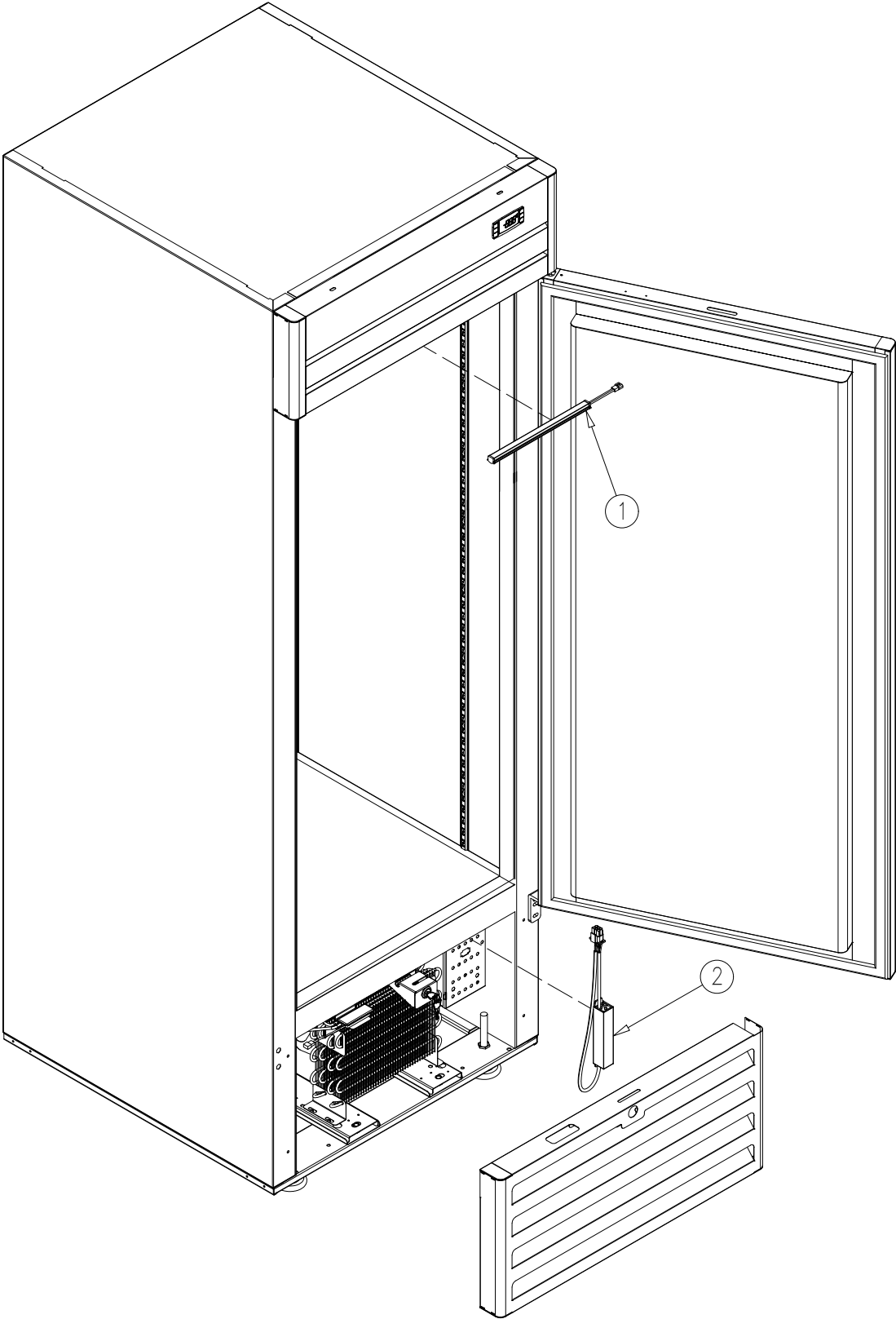
# DOOR ASSEMBLY

---

<i>Item No.</i>	<i>Description</i>	<i>Part No.</i>	<i>Quantity per cooler</i>
1	MAGNETIC GASKET	OT-GA-400-PTA-0241	1
2	UPPER HINGE ASSEMBLY	HA-535-R	1
3	LOWER HINGE ASSEMBLY	HA-522-R	1
4	DOOR HANDLE	HA-836	1
5	DOOR CAP	ESQ-037-A-GR	1
6	DOOR CAP	ESQ-038-A-GR	1
7	DOOR CAP	ESQ-037-B-GR	1
8	DOOR CAP	ESQ-038-B-GR	1
9	TORSION MECHANISM	HA-479	1

# LIGHTING SYSTEM

---



# LIGHTING SYSTEM

---

<i>Item No.</i>	<i>Description</i>	<i>Part No.</i>	<i>Quantity per cooler</i>
1	9 3/4" LED LAMP STRIP	EL-145	1
2	1.25 Amp. LED DRIVER	OT-EL-151-T	1

