



HOSHIZAKI

Parts List

Glass Door Merchandiser

Model

RM-45-SD-HC

hoshizakiamerica.com

Number: RM-45-SD-HC
Issued: 11-12-2018
Revised: 08-17-2020

TABLE OF CONTENTS

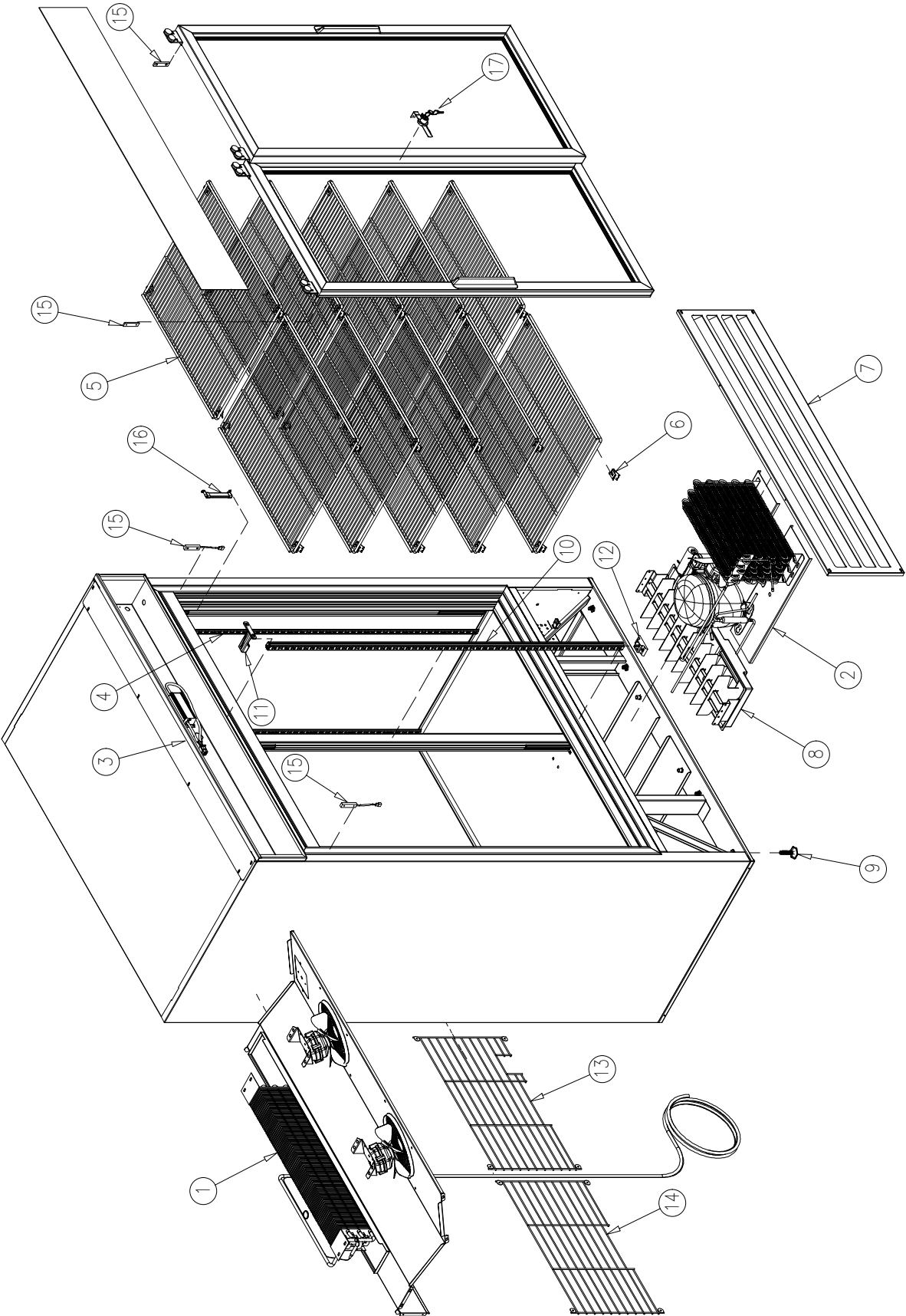
MAIN ASSEMBLY	3
EVAPORATOR ASSEMBLY	5
CONDENSING UNIT ASSEMBLY	7
DOOR ASSEMBLY	9
DOOR ASSEMBLY	11
<i>Right and Left Hand Door</i>	
LIGHTING SYSTEM.....	13

NOTE:

To order spare parts, always include the following information:

- Model Number _____
- Serial Number _____

MAIN ASSEMBLY

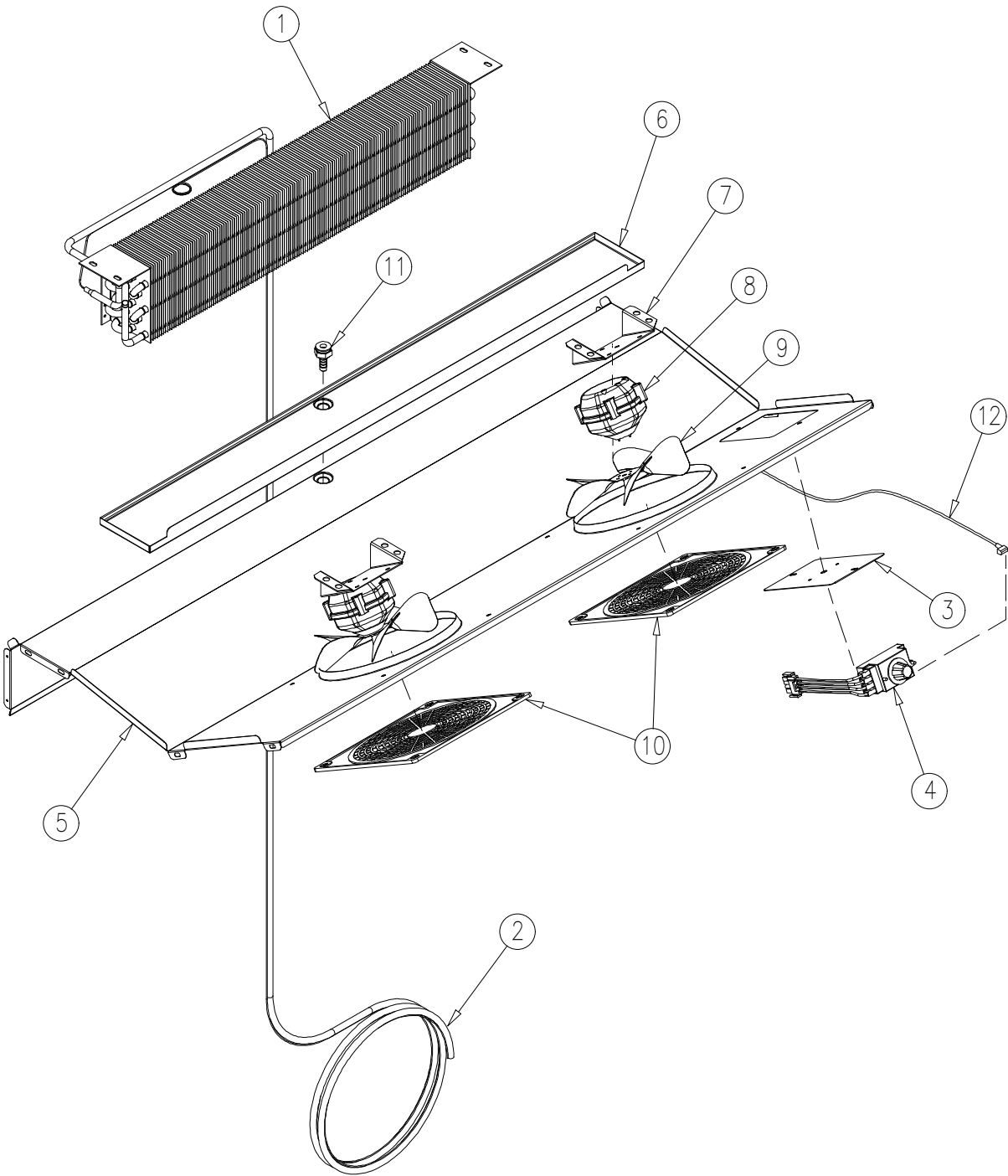


RM-45-SD-HC

MAIN ASSEMBLY

<i>Item No.</i>	<i>Description</i>	<i>Part No.</i>	<i>Quantity per cooler</i>
1	EVAPORATOR ASSEMBLY	OT-EV-0106	1
2	CONDENSING UNIT ASSEMBLY	OT-UN-0289	1
3	HEADER SIGN	OT-ROTULO-0268	1
4	PILASTER 48"	PI-5	6
5	FLAT SHELF	SH-0211-HD-FE	10
6	SHELF CLIPS	CL-51-SS-E	40
7	FRONT GRILL	OT-6630	1
8	WATER DRAIN PAN	OT-FEL-001	1
9	LEGS	LG-27	8
10	PILASTER	PI-55	1
11	PILASTER POST HOLDER	PL-424-GR	1
12	PILASTER POST BASE	PL-423-GR	1
13	RIGHT BACK GRILL	SH-0033-D-G-GR	1
14	LEFT BACK GRILL	SH-0033-I-G-GR	1
15	MAGNETIC SWITCH (Two pieces for each code)	EL-306	2
16	THERMOMETER	TH-1-E	1
17	KEY SET	LS-5	1

EVAPORATOR ASSEMBLY



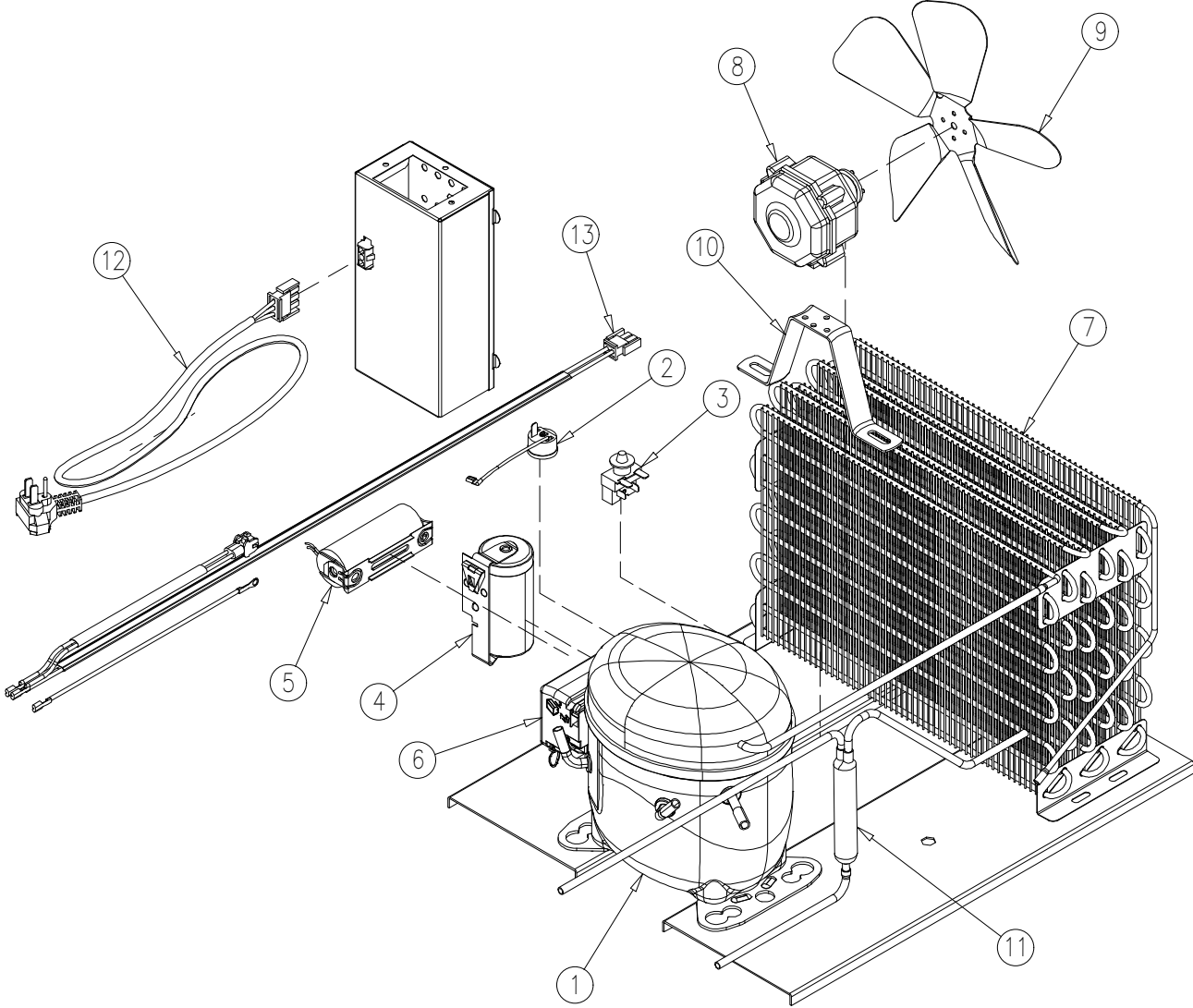
EVAPORATOR ASSEMBLY

<i>Item No.</i>	<i>Description</i>	<i>Part No.</i>	<i>Quantity per cooler</i>
1	EVAPORATOR	CO-369	1
2	HEAT EXCHANGER	TUB-1145	1
3	THERMOSTAT BRACKET	OT-20868	1
4	ELECTRONIC THERMOSTAT KIT	CT-194-SOL-080 (K)*	1
5	BAFFLE	OT-21308	1
6	EVAPORATOR DRAIN PAN	OT-21466	1
7	EVAPORATOR FAN MOTOR BRACKET	OT-20601	2
8	EVAPORATOR FAN MOTOR	FA-41	2
9	EVAPORATOR FAN BLADE	FA-2-EBM	2
10	EVAPORATOR FAN GUARD	FA-62	2
11	PLASTIC DRAIN	DR-1-P	1
12	TEMPERATURE SENSOR	CT-196-2-SOL	1

* THE PART NUMBER CT-194-SOL-080 (K) INCLUDES:

THERMOSTAT CT-194-SOL
 TEMPERATURE SENSOR CT-196-2-SOL (Item No. 12)
 DOOR SWITCH HARNESS CONTROL OT-AR-5022
 HARNESS CONTROL OT-AR-4800

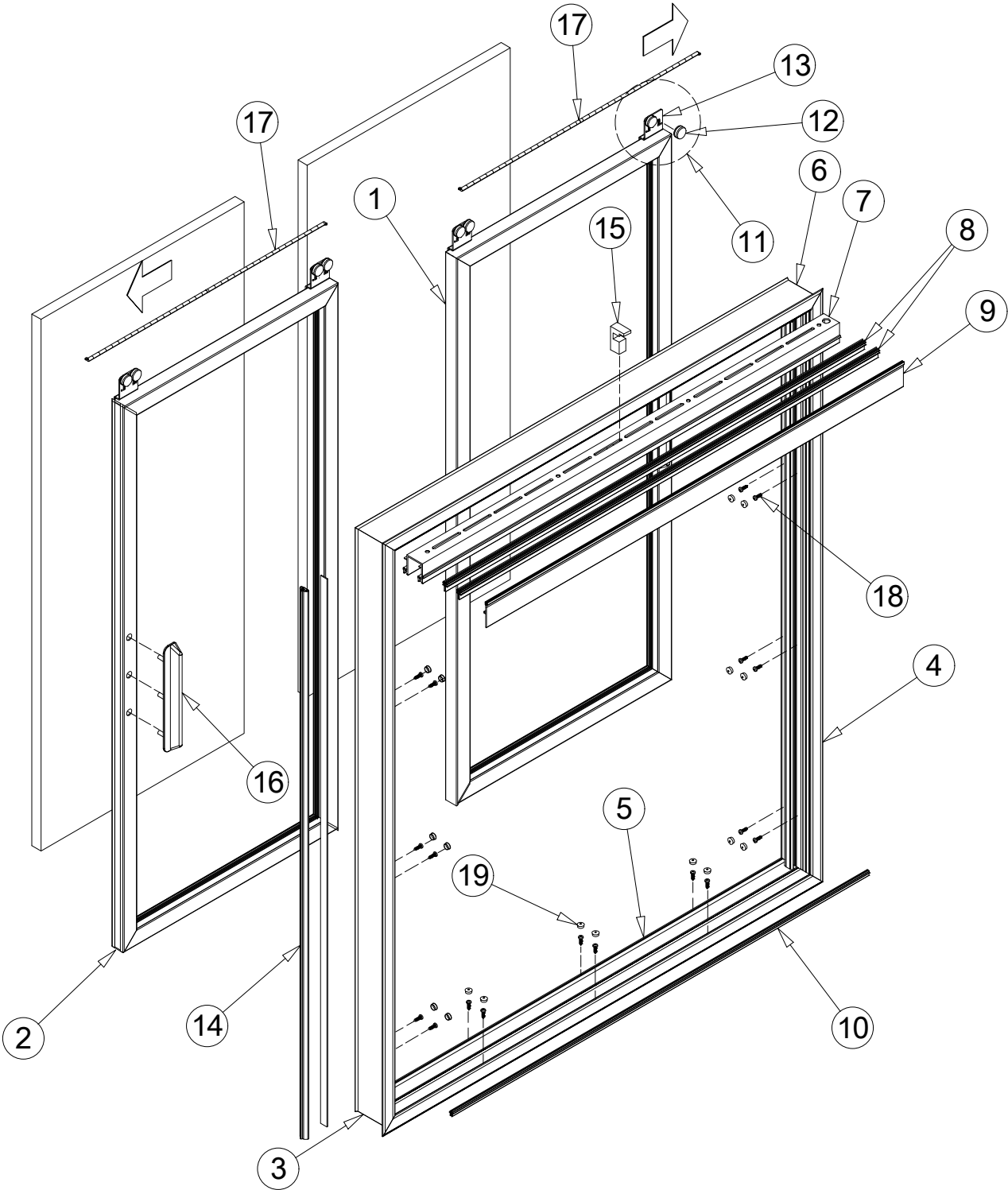
CONDENSING UNIT ASSEMBLY



CONDENSING UNIT ASSEMBLY

<i>Item No.</i>	<i>Description</i>	<i>Part No.</i>	<i>Quantity per cooler</i>
1	1/2HP 115-127V/60HZ R-290 COMPRESSOR	NLY12NRb	1
2	T0258 EXTERNAL PROTECTOR	EL-2120-R	1
3	2014-187 RELAY	EL-2121-R	1
4	250µF 160V START CAPACITOR	CAP-250-160	1
5	15µF 250V RUN CAPACITOR	CAP-15-250	1
6	ELECTRICAL BOX	EL-2122-R	1
7	CONDENSER	CO-454	1
8	CONDENSER FAN MOTOR	FA-41	1
9	CONDENSER FAN BLADE	FA-11-WE	1
10	CONDENSER FAN MOTOR BRACKET	FA-18	1
11	DRIER	DR-29-P	1
12	POWER CORD	EL-1265-9	1
13	UNIT HARNESS	OT-AR-1016	1

DOOR ASSEMBLY



DOOR ASSEMBLY

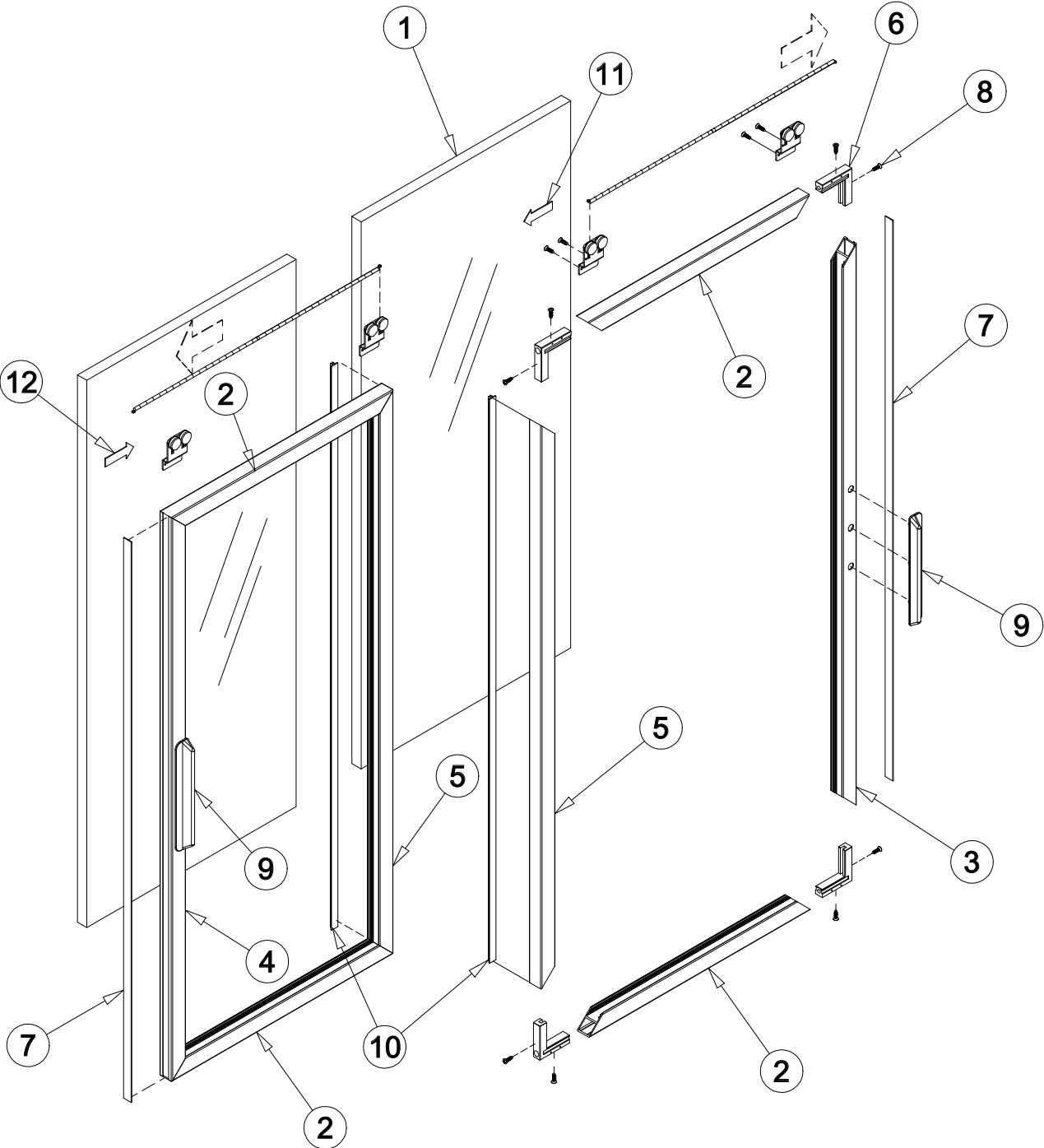
<i>Item No.</i>	<i>Description</i>	<i>Part No.</i>	<i>Quantity per cooler</i>
1	RIGHT DOOR	OT-PT-0589	1
2	LEFT DOOR	OT-PT-0590	1
3	SLIDING TRACK FRAME	OT-TRACK-RM45SD	1
4	VERTICAL TRACK PROFILE	MD-328-57	2
5	BOTTOM TRACK PROFILE	MD-327-49	1
6	TOP TRACK PROFILE	MD-324-49	1
7	ALUMINUM TRACK PROFILE	MD-326-47	1
8	GASKET	GA-58-B-46	2
9	COVER FOR TOP TRACK PROFILE	MD-325-47-K	1
10	BELLOWS GASKET	GA-57-B-46	1
11	DOOR METAL ROLLER BRACKET	OT-RO-29*	4
12	DOOR METAL ROLLER	RO-29	8
13	DOOR METAL ROLLER BRACKET	OT-23931	4
14	VERTICAL TRACK MAGNETIC GASKET	GA-56-B-53-K	2
15	ADHESIVE SEAL	GA-479-B	1
16	DOOR HANDLE	HA-666-K	2
17	SLIDING DOOR SPRING	SP-16	2
18	TRACK PROFILE SCREWS	SC-375-SS	18
19	CAP SCREWS	PL-191	12

* THE PART NUMBER OT-RO-29 INCLUDES:

Door Metal roller RO-29 (Item No. 12)
 Door metal roller bracket OT-ES-1469 (Item No. 13)
 Adjustment brace OT-ES-1485 (Item No. 14)
 Nut NU-290-E

DOOR ASSEMBLY

Right and Left Hand Door

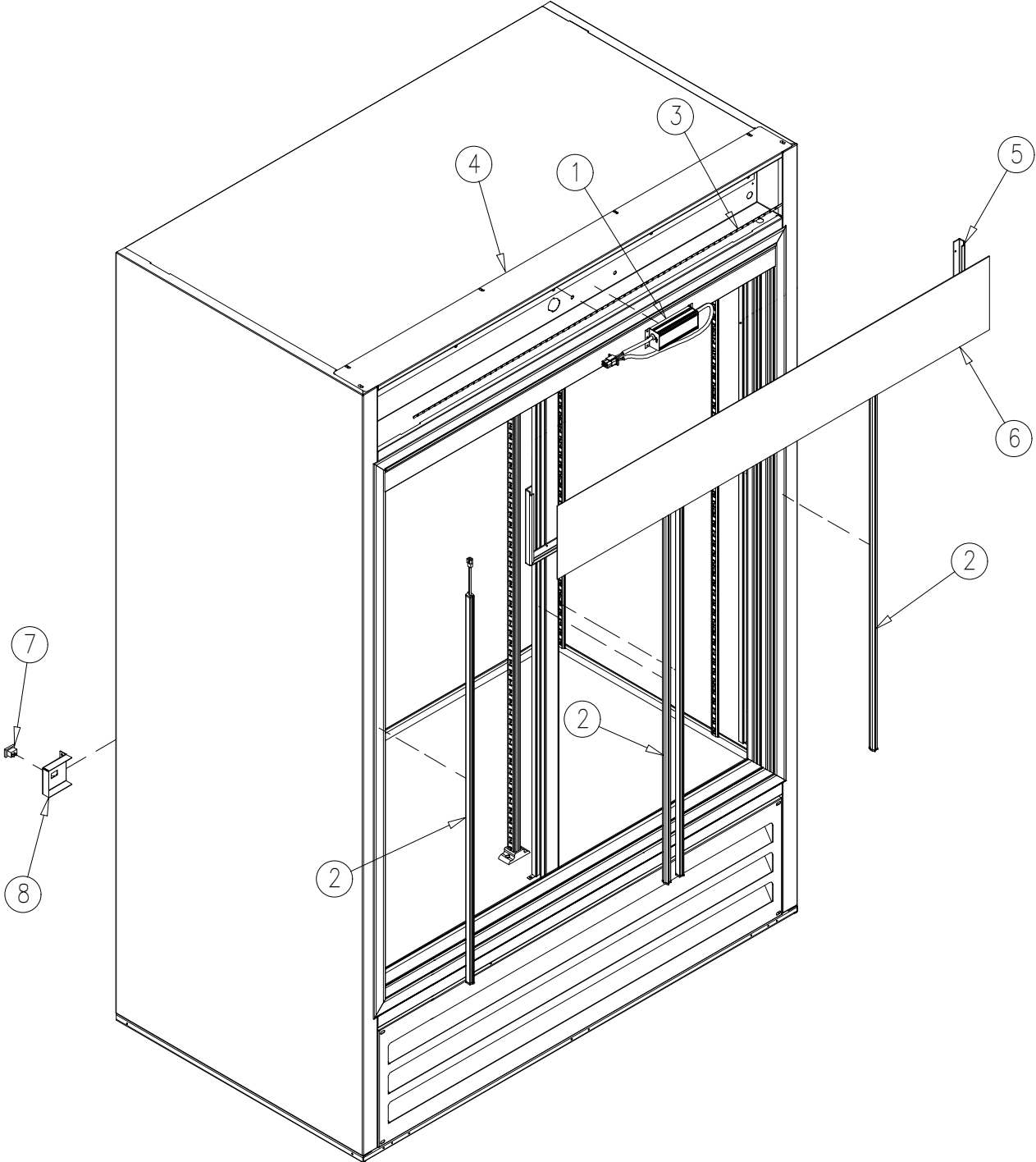


DOOR ASSEMBLY

Right and Left Hand Door

<i>Item No.</i>	<i>Description</i>	<i>Part No.</i>	<i>Quantity per cooler</i>
1	GLASS PANE	GL-549-AD-E	2
2	LOWER & UPPER DOOR PROFILE	MD-322-48	4
3	RIGHT VERTICAL DOOR PROFILE WITH HANDLE	MD-321-53-R	1
4	LEFT VERTICAL DOOR PROFILE WITH HANDLE	MD-321-53-L	1
5	RIGHT & LEFT VERTICAL DOOR PROFILE	MD-322-53	2
6	DOOR BRACKET	ESQ-020	8
7	STRIP FOR DOOR GASKET	OT-7055	2
8	SCREWS	SC-46-SS-N	24
9	DOOR HANDLE	HA-666-K	2
10	LIP SEAL	GA-30-B	2
11	RIGHT STICKER "SLIDE"	NP-122-G	1
12	LEFT STICKER "SLIDE"	NP-121-G	1

LIGHTING SYSTEM



LIGHTING SYSTEM

<i>Item No.</i>	<i>Description</i>	<i>Part No.</i>	<i>Quantity per cooler</i>
1	2.5 Amp. LED DRIVER	OT-EL-150-T	1
2	39 3/8" LED LAMP STRIP	EL-148	4
3	43 1/4" HIGH INTENSITY FLEXIBLE LED STRIP	OT-EL-170-43.25	1
4	SIGN TOP	OT-21879	1
5	SIGN FRAME	OT-22277	1
6	ACRYLIC HEADER SIGN	ROT-0017	1
7	LIGHT SWITCH	EL-305	1
8	LIGHT SWITCH BRACKET	OT-20877	1

HOSHIZAKI AMERICA, INC.

618 Hwy. 74 South, Peachtree City, GA 30269 USA (P) 770.487.2331 www.hoshizaki.com