



HOSHIZAKI

Parts List

Steelheart Series
Refrigerated Kitchen Equipment

Models

R1A, F1A

R2A, F2A

R3A, F3A

Full Glass (FG), Full Solid (FS)

Half Glass(HG), Half Solid (HS)



hoshizakiamerica.com

Number: 71422
Issued: 1-15-2019
Revised: 4-23-2019

CONTENTS

Auxiliary Codes.....	3
Note About Ordering Parts	4
A. Main Assembly	5
_1A-FG/FGCL/FGCR/FS/FSJ/FSL/FSLJ/HG/HS/HSL	5
_2A-FG/FS/HG/HS	8
_3A-FG/FGCL/FGCR/FS/FSCCL/FSCR/HG/HS.....	11
B. Refrigeration Circuit.....	14
_1A-FG/FGCL/FGCR/FS/FSJ/FSL/FSLJ/HG/HS/HSL	
_2A-FG/FS/HG/HS	
_3A-FG/FGCL/FGCR/FS/FSCCL/FSCR/HG/HS.....	14
C. Door-Full Glass.....	17
Right Hinged	17
Left Hinged.....	18
D. Door-Full Solid	20
Right Hinged	20
Left Hinged.....	21
E. Door-Half Glass	23
Right Hinged	23
Left Hinged.....	24
F. Door-Half Solid	26
Right Hinged	26
Left Hinged.....	27
G. Accessories & Labels.....	29
_1A-FG/FGCL/FGCR/FS/FSJ/FSL/FSLJ/HG/HS/HSL, _2A-FG/FS/HG/HS, _3A-FG/FGCL/FGCR/FS/FSCCL/FSCR/HG/HS	29

Auxiliary Codes

R1A-FG

H-5 December 2018

J-5 January 2019

R1A-FGCL

H-5 December 2018

J-5 January 2019

R1A-FGCR

J-5 January 2019

R1A-FS

H-5 December 2018

J-5 January 2019

R1A-FSJ

J-5 March 2019

R1A-FSL

H-5 December 2018

J-5 January 2019

R1A-FSLJ

J-5 March 2019

R1A-HG

J-5 January 2019

R1A-HS

H-5 November 2018

J-5 April 2019

R1A-HSL

H-5 December 2018

J-5 February 2019

F1A-FG

J-5 February 2019

F1A-FS

H-5 December 2018

J-5 January 2019

F1A-FSL

H-5 December 2018

J-5 January 2019

F1A-HG

J-5 January 2019

F1A-HS

H-5 November 2018

J-5 February 2019

F1A-HSL

H-5 December 2018

J-5 March 2019

R2A-FG

H-5 December 2018

J-5 January 2019

J-6 April 2019

R2A-FS

H-5 December 2018

J-5 January 2019

R2A-HG

J-5 January 2019

R2A-HS

H-5 November 2018

J-5 February 2019

F2A-FG

J-6 TBD

F2A-FS

H-5 December 2018

J-5 January 2019

F2A-HG

J-5 January 2019

F2A-HS

H-5 November 2018

J-5 January 2019

R3A-FG

J-5 March 2019

R3A-FGCL

J-5 TBD

R3A-FGCR

J-5 TBD

R3A-FS

J-5 January 2019

R3A-FSCL

J-5 January 2019

R3A-FSCR

J-5 March 2019

R3A-HG

J-5 TBD

R3A-HS

H-5 December 2018

J-5 January 2019

F3A-FS

J-5 March 2019

F3A-HS

H-5 December 2018

J-5 TBD

Auxiliary Code Breakdown

The auxiliary code is the first two characters in the serial number. The first character indicates the year. Years progress or regress in alphabetical order. The series runs from "A" through "V" and the letters "I" and "O" are skipped. The second character indicates significant part changes within a year. Base is "5" and this number advances for each change. In cases where there is a letter in parentheses, this designates the month. This is the last character in the serial number. The series runs from "(A)" through "(M)" and the letter "(I)" is skipped. This designation is only included when identifying a parts change within an auxiliary code.

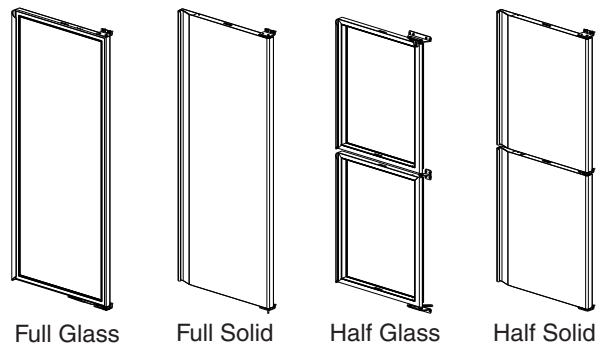
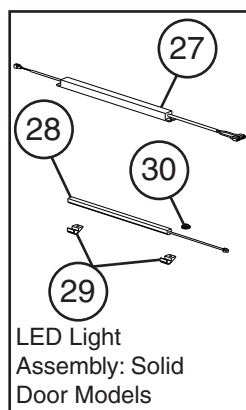
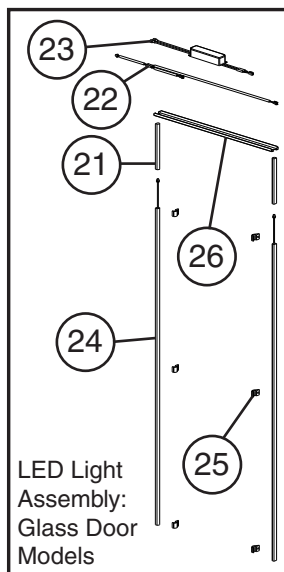
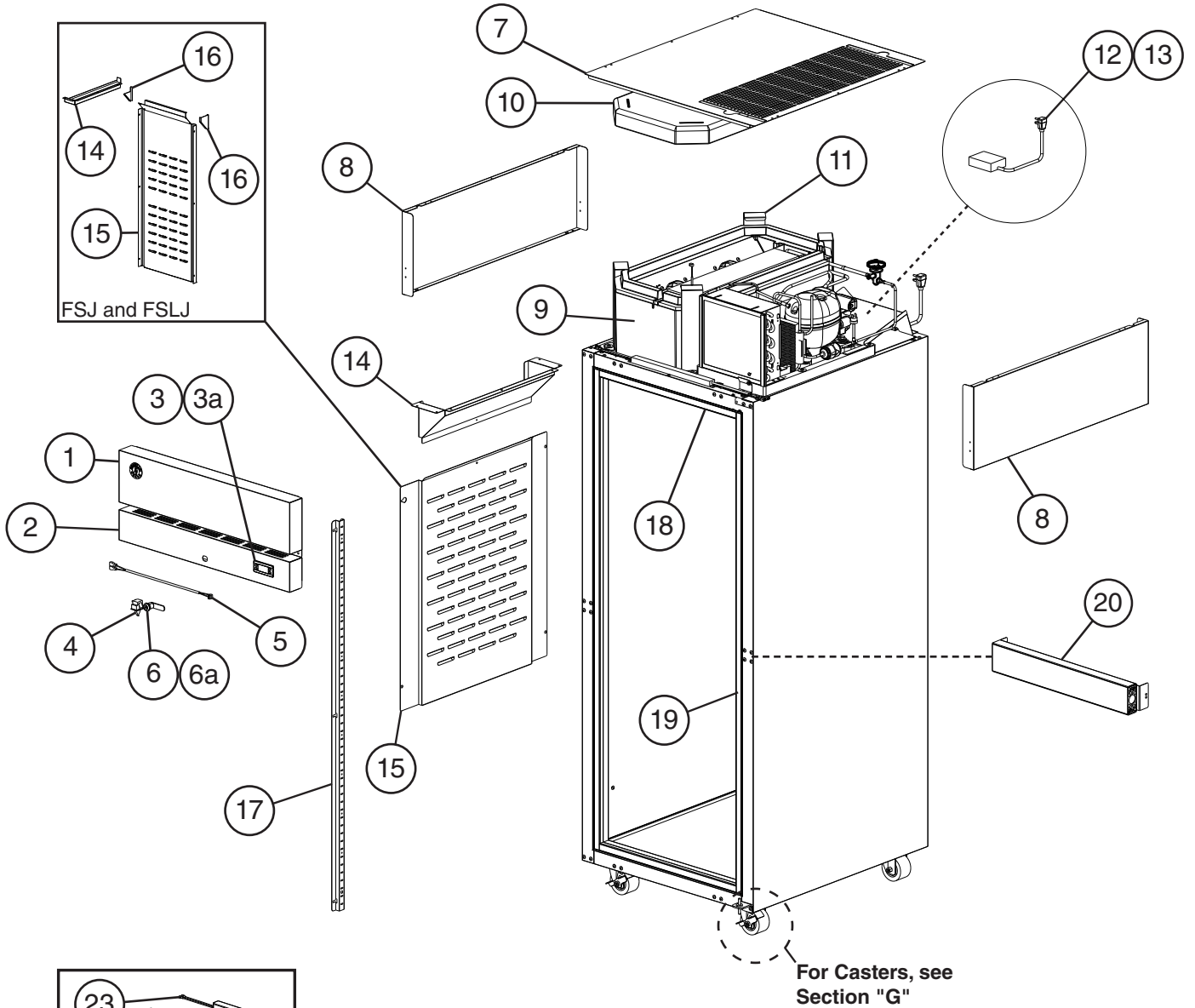
Note About Ordering Parts

Most assemblies cannot be ordered as complete units; parts in the assemblies generally must be ordered separately.

A. Main Assembly

_1A-FG/FGCL/FGCR/FS/FSJ/FSL/FSLJ/HG/HS/HSL

H-5, J-5

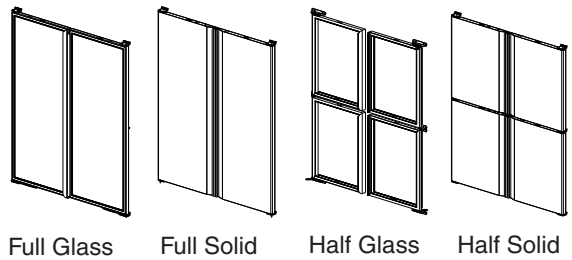
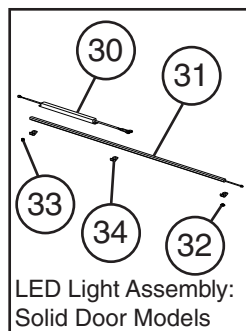
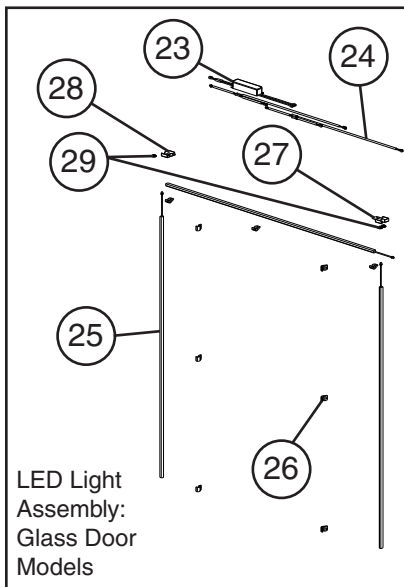
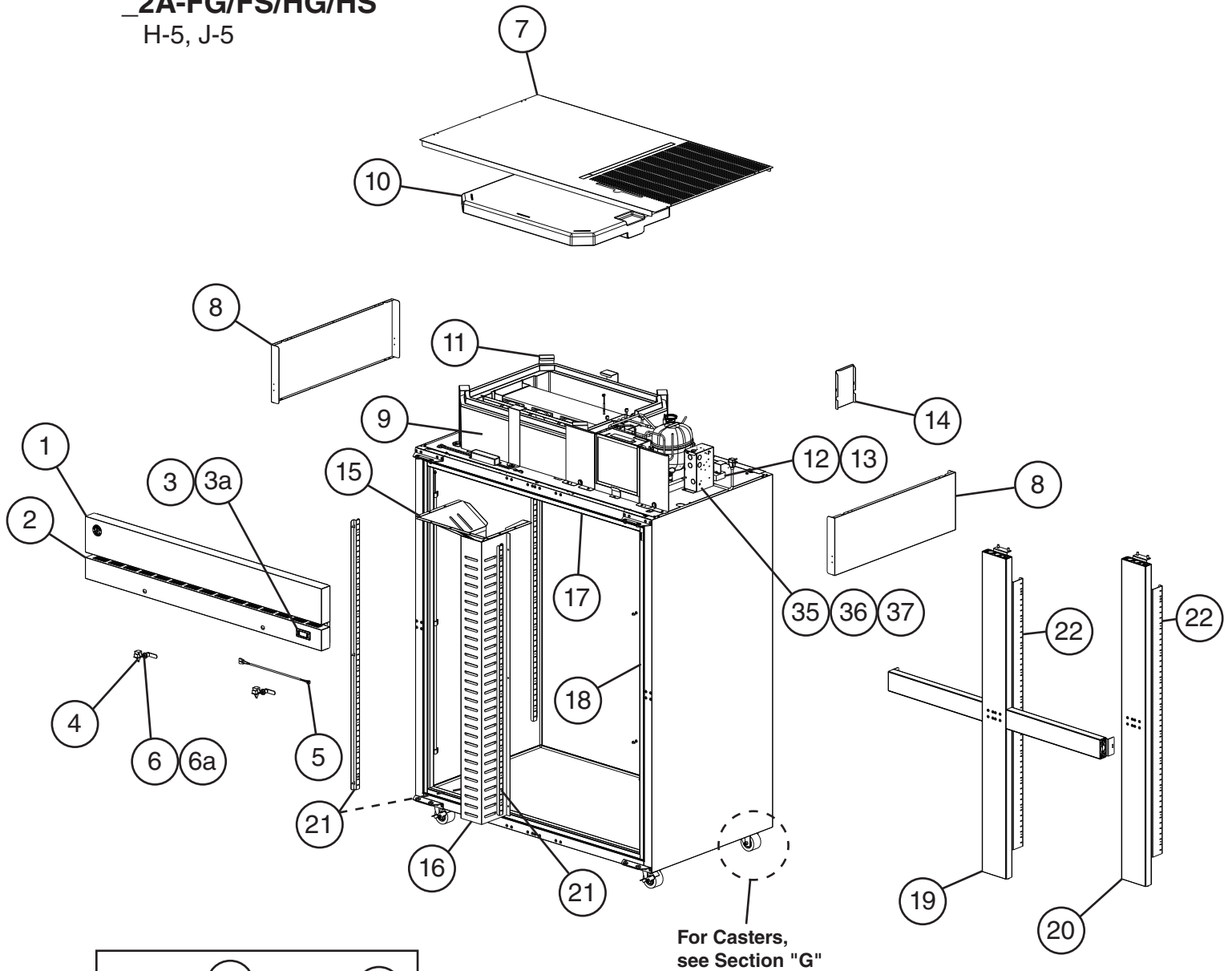


For Doors, see Section "C" through "F"

Title: A. Main Assembly Model: _1A-FG/FGCL/FGCR/FS/FSJ/FSL/FSLJ/HG/HS/HSL												
Index No.	Description	Material or Model Number	Part Number	Required Number								
				H-5	J-5							
1	Front Panel	_1A-XXXX	3A9604G01	1								
2	Control Panel	_1A-XXXX Except -HG Models	2A8615-01	1								
		-HG	2A8651-01	1								
3	Control Module	R1A-FS/FSJ/ FSL/FSLJ/HS/ HSL	4A6195G01	1								
		R1A-FG/FGCL/ FGCR/HG	4A6626G01	1								
		F1A-FS/FSL/ HS/HSL	4A6196G01	1								
		F1A-FG/HG	4A6627G01	1								
3a	Control Module Mounting Clip		4A5502-01	2								
4	Door Switch		3A1826-01	1								
5	Door Switch Wire Harness		4A6203-01	1								
6	Lock (includes item 5a)		4A4924-01	1								
6a	Key (includes 2 keys)		4A5453-01	1								
7	Top Louver		2A8254-01	1								
8	Side Panel		2A8252-01	2								
9	Evaporator Case		1A4781-01	1								
10	Evaporator Cover		1A4782-01	1								
11	Evaporator Case Latch		3A9802-01	4								
12	Power Supply Cord/ Wire Harness		3A9838-01	1								
13	Connector Cap	R1A-XXXX	4A6229-01	4								
14	Air Distribution Top	_1A-XXXX Except -FSJ, -FSLJ	1A3951-01	1								
		-FSJ, -FSLJ	1A5710-01	1								
15	Air Distribution Panel	_1A-XXXX Except -FSJ, -FSLJ	1A4930-01	1								
		-FSJ, -FSLJ	2A9236-01	1								
16	Air Distribution Cap	-FSJ, -FSLJ (Right)	2A9237-01	1								
		-FSJ, -FSLJ (Left)	2A9238-01	1								
17	Pilaster		3A0145-01	4								
18	Horizontal Thermal Breaker Cover	561 mm	2A8795-01	2								
19	Vertical Thermal Breaker Cover	1552 mm	2A8796-01	2								
20	Horizontal Mullion	R1A-HS/HG/ HSL	2A8664A01	1								
		F1A-HS/HG/ HSL	2A8824A01	1								

Title: A. Main Assembly Model: _1A-FG/FGCL/FGCR/FS/FSJ/FSL/FSLJ/HG/HS/HSL												
Index No.	Description	Material or Model Number	Part Number	Required Number								
				H-5	J-5							
21	LED Lens (wire sleeve)	-FG, -FGCL, -FGCR, -HG	3A9861-01	2								
22	LED Y Harness		4A6080-01	1								
23	LED Driver		3A9820-01	1								
24	LED Lamp		3A9868-01	2								
25	LED Clip		4A5906-01	6								
26	LED Bracket		2A8826-01	1								
27	LED Driver	-FS, -FSJ, -FSL, -FSLJ, -HS, -HSL	3A9867-01	1								
28	LED Lamp		3A9788-01	1								
29	LED Clip		4A5906-01	2								
30	LED Bushing		425307-02	1								

A. Main Assembly
2A-FG/FS/HG/HS
 H-5, J-5



For Doors, see Sections "C" through "F"

Title: A. Main Assembly Model: _2A-FG/FS/HG/HS/HS												
Index No.	Description	Material or Model Number	Part Number	Required Number								
				H-5 to J-5 (C)	J-5 (D)							
1	Front Panel	_2A-XXXX	3A9740G01	1	1							
2	Control Panel	_2A-XXXX Except -HG Models	2A8583-01	1	1							
		_2A-HG	2A8726-01	1	1							
3	Control Module	R2A-FS/HS	4A6195G01	1	1							
		R2A-FG/HG	4A6626G01	1	1							
		F2A-FS/HS	4A6196G01	1	1							
		F2A-FG/HG	4A6627G01	1	1							
3a	Control Module Mounting Clip		4A5502-01	2	2							
4	Door Switch		3A1826-01	2	2							
5	Door Switch Wire Harness		4A6203-01	1	1							
6	Lock (includes item 5a)		4A4924-01	2	2							
6a	Key (includes 2 keys)		4A5453-01	2	2							
7	Top Louver		2A8725-01	1	1							
8	Side Panel		2A8252-01	2	2							
9	Evaporator Case		1A4829-01	1	1							
10	Evaporator Cover		1A4828-01	1	1							
11	Evaporator Case Latch		3A9802-01	6	6							
12	Power Supply Cord/ Wire Harness		3A9838-01	1	1							
13	Connector Cap	R2A-XXXX	4A6229-01	4	4							
14	Control Box Cover	F2A-XXXX	3B0037-01	1	1							
15	Air Distribution Top		1A3950-03	1	1							
16	Air Distribution Channel		1A5035-01	1	1							
17	Horizontal Thermal Breaker Cover	1260 mm	2A8795-02	2	2							
18	Vertical Thermal Breaker Cover	1552 mm	2A8796-01	2	2							
19	Cross Mullion (Includes 2 Mullion Pilasters)	R2A-HS/HG	2A8746A01	1	1							
		F2A-HS/HG	2A8836A01	1	1							
20	Vertical Mullion (Includes 2 Mullion Pilasters)	R2A-FS/FG	2A8734A01	1	1							
		F2A-FS/FG	2A8835A01	1	1							
21	Pilaster	_2A-XXXX	3A0145-01	6	6							
22	Mullion Pilaster		2A8735-01	2	2							
23	LED Driver	_2A-FG/HG	3A9820-01	1	1							
24	LED Y Harness		4A6080-01	2	2							
25	LED Lamp		3A9868-01	3	3							
26	LED Clip		4A5906-01	9	9							
27	LED Bracket (Right)		3B0243-01	1	1							
28	LED Bracket (Left)		3B0243-02	1	1							
29	Bushing		425307-02	2	-							
30	LED Driver		_2A-FS/HS	3A9867-01	1	1						
31	LED Lamp			3A9868-01	1	1						
32	Bushing			425307-02	1	1						
33	Hole Plug	4A0586-10		1	1							
34	LED Clip	4A5906-01		3	3							

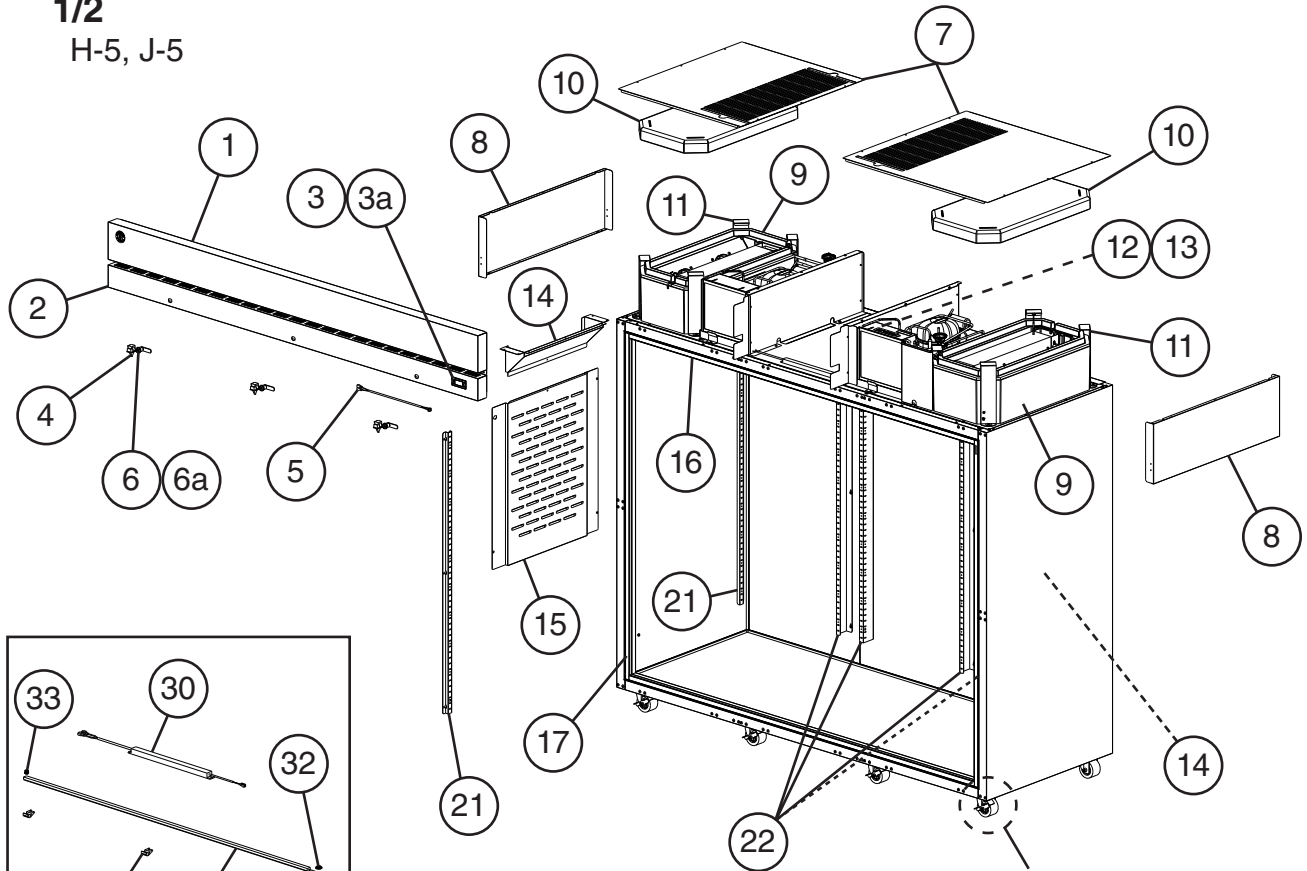
Title: A. Main Assembly Model: _2A-FG/FS/HG/HS/HS											
Index No.	Description	Material or Model Number	Part Number	Required Number							
				H-5 to J-5 (C)	J-5 (D)						
Control Box											
35	Start Relay	F2A-XXXX	4A6386-01	1	1						
36	Start Capacitor	F2A-XXXX	4A6381-01	1	1						
37	Run Capacitor	F2A-XXXX	4A6382-01	1	1						

A. Main Assembly

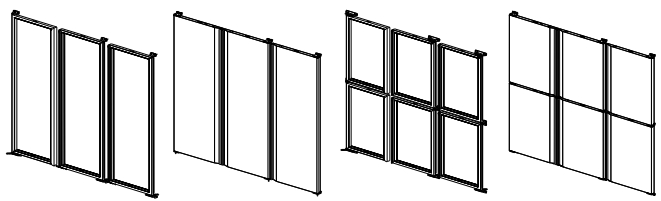
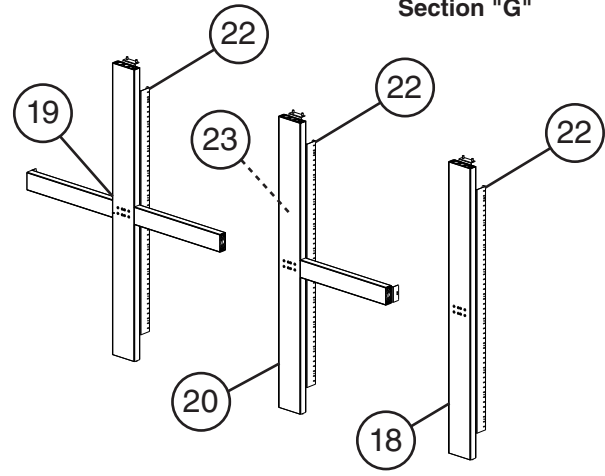
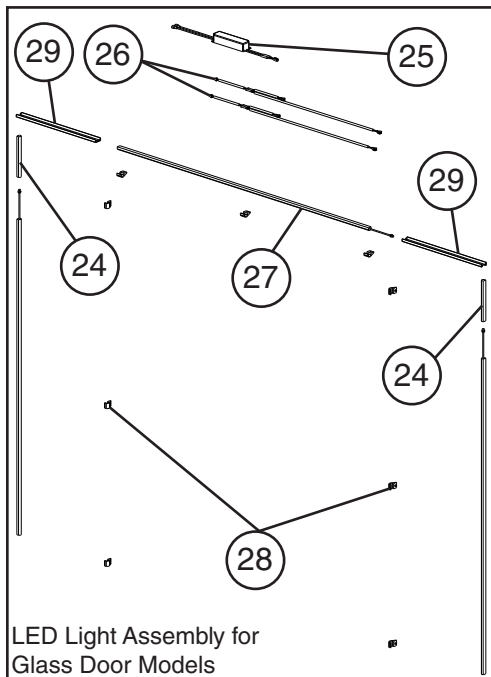
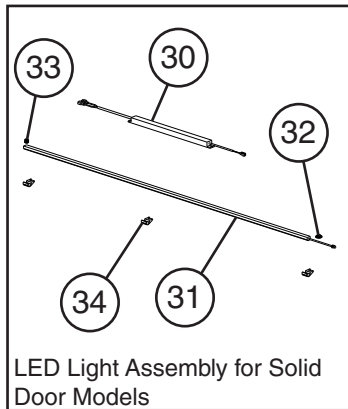
3A-FG/FGCL/FGCR/FS/FSCL/FSCR/HG/HS

1/2

H-5, J-5



For Casters, see Section "G"



Full Glass Full Solid Half Glass Half Solid

For Doors, see Sections "C" through "F"

Title: A. Main Assembly Model: 3A-FG/FGCL/FGCR/FS/FSCL/FSCR/HG/HS												
Index No.	Description	Material or Model Number	Part Number	Required Number								
				H-5	J-5							
1	Front Panel		3A9914G01	1								
2	Control Panel	R3A-XXXX Except R3A-HG	1A5164-01	1								
		R3A-HG	1A5259-01	1								
3	Control Module	R3A-FS/FSCL/ FSCR/HS	4A6195G01	1								
		R3A-FG/FGCL/ FGCR/HG	4A6626G01	1								
		F3A-HS/FS	4A6196G01	1								
3a	Control Module Mounting Clip		4A5502-01	2								
4	Door Switch		3A1826-01	3								
5	Door Switch Harness		4A6203-01	1								
6	Lock (includes item 5a)		4A4924-01	3								
6a	Key (includes 2 keys)		4A5453-01	3								
7	Top Louver	Left	2A8254-01	1								
		Right	2A8963-01	1								
8	Side Panel		2A8252-01	2								
9	Evaporator Case		1A4781-01	2								
10	Evaporator Cover		1A4782-01	2								
11	Evaporator Case Latch		3A9802-01	8								
12	Power Supply Cord	R3A-XXXX	4A0520-01	1								
		F3A-XXXX	4A6500-01	1								
13	Control Box Cover		2A9098-01	1								
14	Air Distribution Top		1A3951-01	2								
15	Air Distribution Panel		1A4930-01	2								
16	Horizontal Thermal Breaker Cover	1958 mm	2A8795-03	2								
17	Vertical Thermal Breaker Cover	1552 mm	2A8796-01	2								
18	Vertical Mullion (Includes 2 Pilaster)	R3A-XXXX Except -HG/HS Models	2A8734A01	2								
		F3A-FS	2A8835A01	2								
19	Cross Mullion (Includes 2 Pilaster)	R3A-HG/HS	2A8892A01	1								
		F3A-HS	2A8893A01	1								
20	Tee Mullion (Includes 2 Pilaster)	R3A-HG/HS	2A8747A01	1								
		F3A-HS	2A8837A01	1								
21	Pilaster	3A-XXXX	3A0145-01	4								
22	Mullion Pilaster	3A-XXXX Except -HG/HS Models	2A8735-01	8								
		-HG/HS		7								
23	Tee Mullion Pilaster	-HG/HS	2A8891-01	1								

Title: A. Main Assembly Model: _3A-FG/FGCL/FGCR/FS/FSCL/FSCR/HG/HS												
Index No.	Description	Material or Model Number	Part Number	Required Number								
				H-5	J-5							
24	LED Lens	_3A-FG/FGCL/FGCR/HG	3A9861-01	2								
25	LED Driver		3A9820-01	1								
26	LED Y Harness		4A6080-01	2								
27	LED Lamp		3A9868-01	3								
28	LED Clip		4A5906-01	9								
29	LED Bracket		2A8894-01	2								
30	LED Driver	_3A-FS/FSCL/FSCR/HS	3A9867-01	1								
31	LED Lamp		3A9868-01	1								
32	Bushing		425307-02	1								
33	Hole Plug		4A0586-10	1								
34	LED Clip		4A5906-01	3								

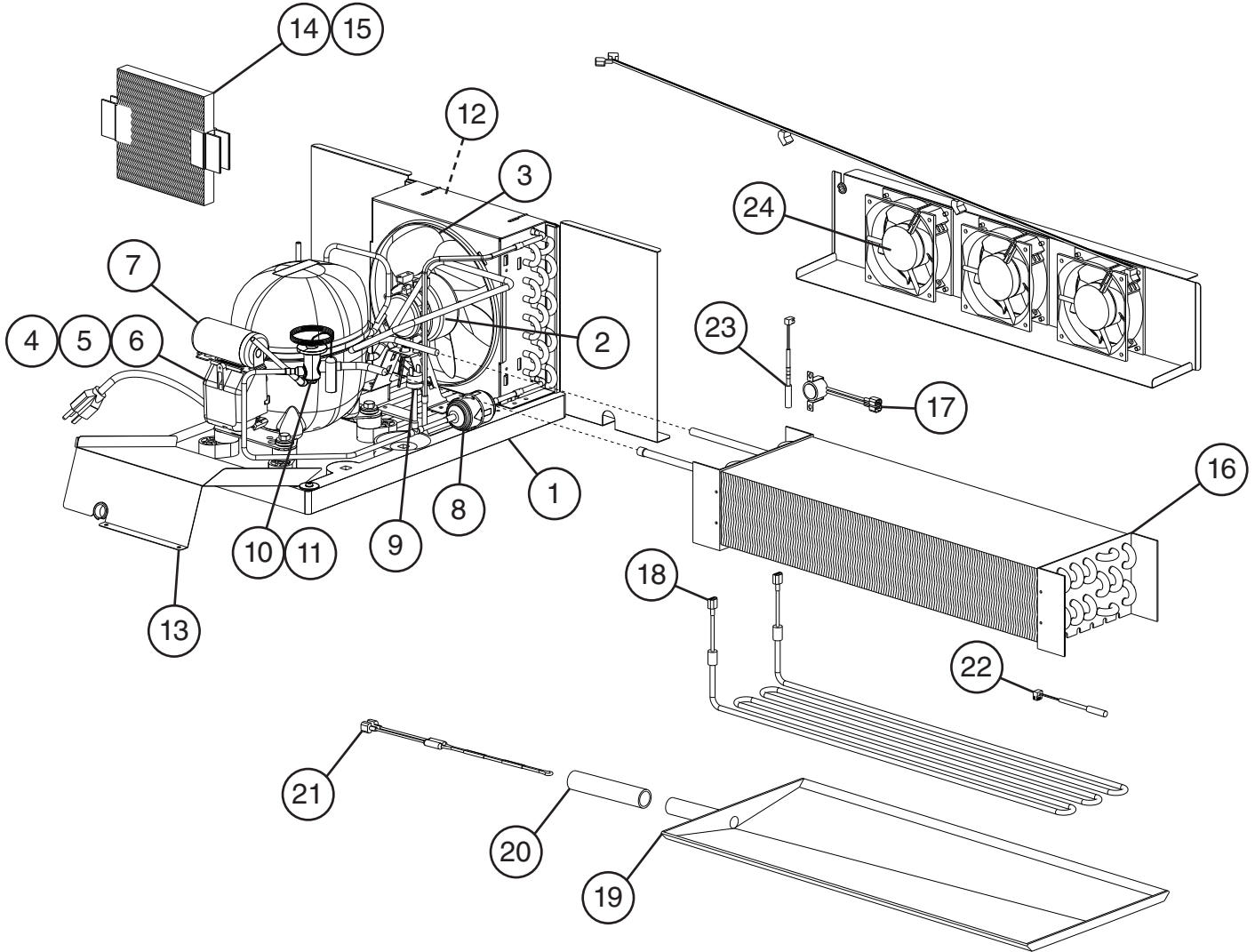
B. Refrigeration Circuit

_1A-FG/FGCL/FGCR/FS/FSJ/FSL/FSLJ/HG/HS/HSL

_2A-FG/FS/HG/HS

_3A-FG/FGCL/FGCR/FS/FSCCL/FSCR/HG/HS

H-5, J-5



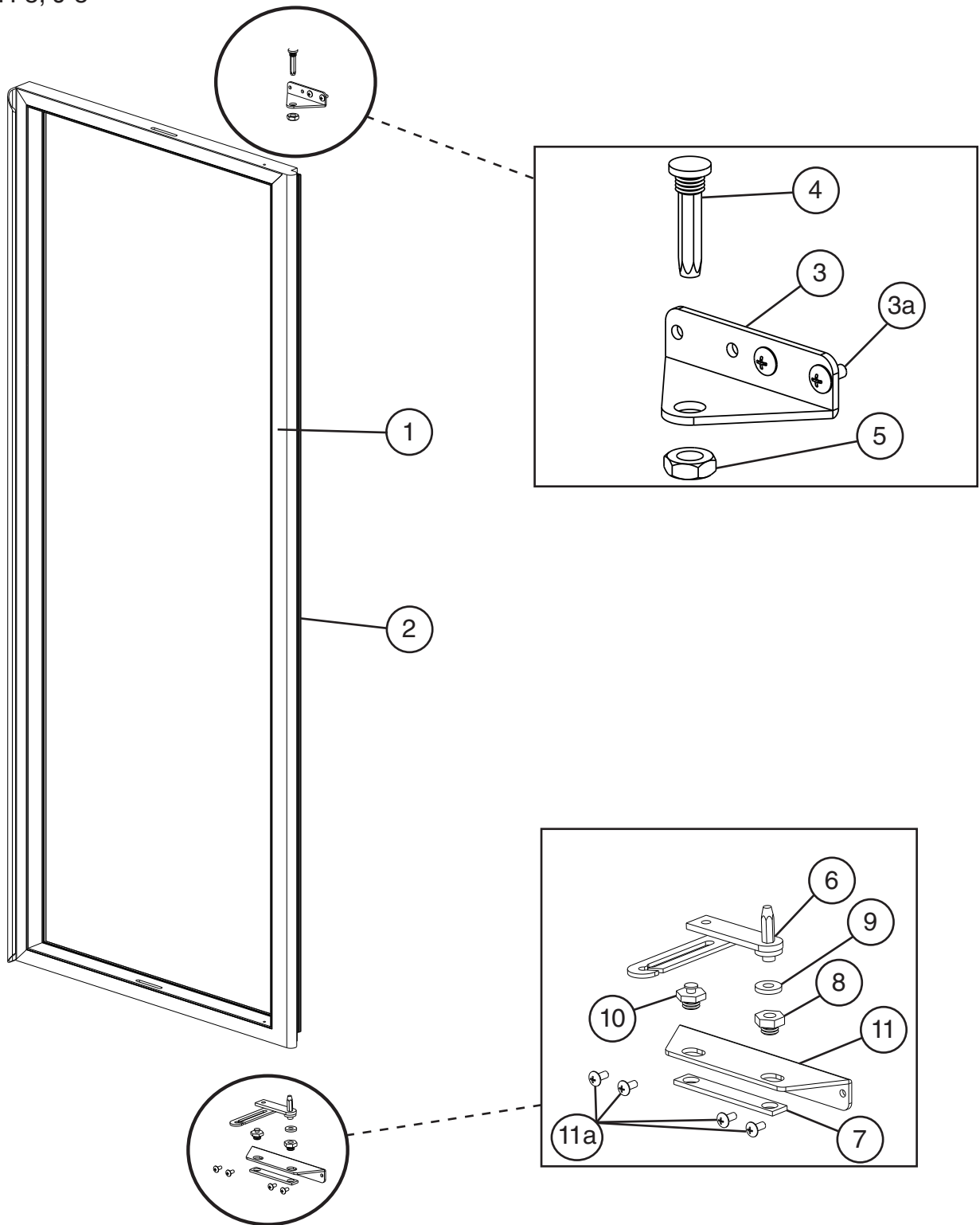
Title: B. Refrigeration Circuit Model: _1A-FG/FGCL/FGCR/FS/FSJ/FSL/FSLJ/HG/HS/HSL, _2A-FG/FS/HG/HS, _3A-FG/FGCL/FGCR/FS/FSCL/FSCR/HG/HS

Index No.	Description	Material or Model Number	Part Number	Required Number																
				H-5	J-5															
1	Condensing Unit (includes compressor, condenser, and items 2 through 8, compressor and condenser are not sold individually)	R1A-XXXX	2A8791-01	1																
		R3A-XXXX		2																
		F1A-XXXX	2A8792-01	1																
		F3A-XXXX		2																
		R2A-XXXX	2A8793-01	1																
	Condensing Unit (includes compressor, condenser, control box (start relay, start capacitor, and run capacitor) and items 2, 3, 6 through 8, compressor and condenser are not sold individually)	F2A-XXXX	2A8794-01	1																
2	Condenser Fan Motor	_1A-XXXX, _2A-XXXX	4A6376-01	1																
		_3A-XXXX		2																
3	Condenser Fan Blade	_1A-XXXX, _2A-XXXX	4A6377-01	1																
		_3A-XXXX		2																
4	Compressor External Protector	R1A-XXXX	4A6387-01	1																
		R3A-XXXX		2																
		R2A-XXXX	4A6388-01	1																
		F1A-XXXX	4A6389-01	1																
		F3A-XXXX		2																
5	Start Relay	R1A-XXXX	4A6383-01	1																
		R3A-XXXX		2																
		R2A-XXXX	4A6384-01	1																
		F1A-XXXX	4A6385-01	1																
		F3A-XXXX		2																
6	Condensing Unit Power Supply Cord	R1A-XXXX, R2A-XXXX	4A6501-01	1																
		R3A-XXXX		2																
		F1A-XXXX	4A6502-01	1																
		F3A-XXXX		2																
		F2A-XXXX	4A6503-01	1																
7	Start Capacitor	R1A-XXXX	4A6378-01	1																
		R3A-XXXX		2																
		R2A-XXXX	4A6379-01	1																
		F1A-XXXX	4A6380-01	1																
		F3A-XXXX		2																
8	Drier	_1A-XXXX, _2A-XXXX	4A1113-01	1																
		_3A-XXXX		2																
9	High-Pressure Switch	_1A-XXXX, _2A-XXXX	4A6039-01	1																
		_3A-XXXX		2																

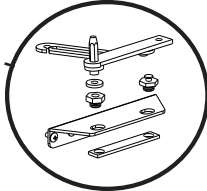
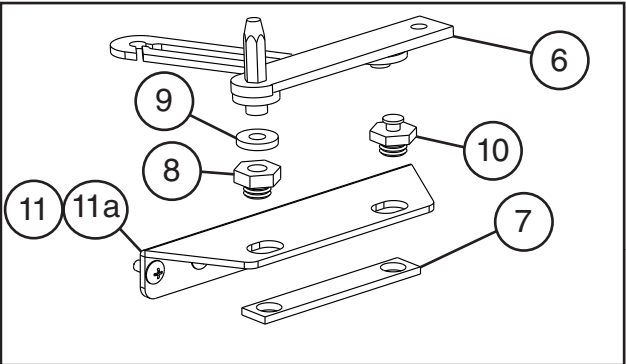
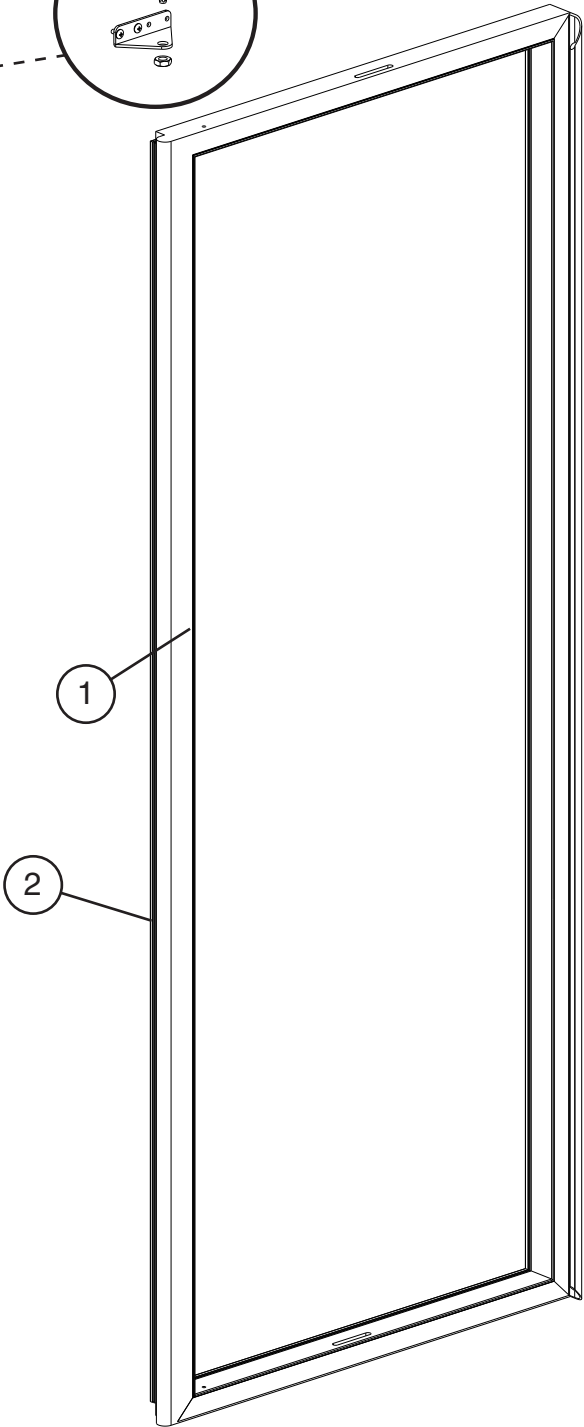
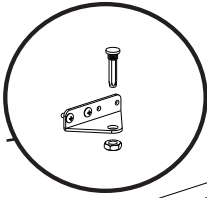
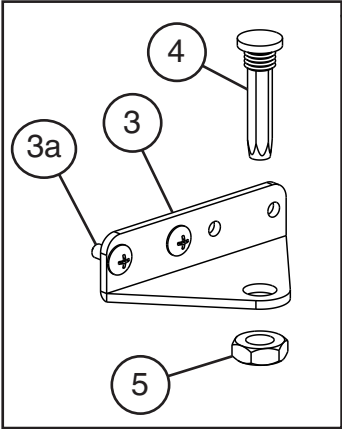
Title: B. Refrigeration Circuit Model: _1A-FG/FGCL/FGCR/FS/FSJ/FSL/FSLJ/HG/HS/HSL, _2A-FG/FS/HG/HS, _3A-FG/FGCL/FGCR/FS/FSL/FSLJ/HG/HS

Index No.	Description	Material or Model Number	Part Number	Required Number										
				H-5	J-5									
10	Thermostatic Expansion Valve	R1A-XXXX	4A6184-01	1										
		R3A-XXXX		2										
		R2A-XXXX	4A6206-01	1										
		F1A-XXXX	4A6185-01	1										
		F3A-XXXX		2										
		F2A-XXXX	4A6207-01	1										
11	Thermostatic Expansion Valve Cover	_1A-XXXX, _2A-XXXX	4A6201-01	1										
		_3A-XXXX		2										
12	Air Filter	_1A-XXXX, _2A-XXXX	4A6189-01	1										
		_3A-XXXX		2										
13	Deflector	_1A-XXXX, _3A-XXXX	2A9004-01	1										
14	Wick	R1A-XXXX, R2A-XXXX	4A6188-01	1										
		R3A-XXXX		2										
15	Wick Retainer	R1A-XXXX, R2A-XXXX	4A6164-01	2										
		R3A-XXXX		4										
16	Evaporator	_1A-XXXX	2A8783-01	1										
		_3A-XXXX		2										
		_2A-XXXX	2A8631-01	1										
17	Defrost Thermostat	F1A-XXXX, F2A-XXXX	4A6194-01	1										
		F3A-XXXX		2										
18	Defrost Heater	F1A-XXXX	3A9800-01	1										
		F3A-XXXX		2										
		F2A-XXXX	3A9801-01	1										
19	Evaporator Drain Pan	_1A-XXXX	1A4805-01	1										
		_3A-XXXX		2										
		_2A-XXXX	1A4827-01	1										
20	Drain Hose	_1A-XXXX	7716-2025	1										
		_2A-XXXX												
		_3A-XXXX		2										
21	Drain Tube Heater	F1A-XXXX, F2A-XXXX	4A6197-01	1										
		F3A-XXXX		2										
22	Cabinet Thermistor	_1A-XXXX, _2A-XXXX, _3A-XXXX	4A4864-02	1										
23	Defrost Thermistor	_1A-XXXX, _2A-XXXX	4A4865-02	1										
		_3A-XXXX	4A4865-03	1										
24	Evaporator Fan Motor	_1A-XXXX	4A6192-01	2										
		_2A-XXXX		3										
		_3A-XXXX		4										

**C. Door-Full Glass
Right Hinged
1/2
H-5, J-5**



C. Door-Full Glass
Left Hinged
2/2
H-5, J-5

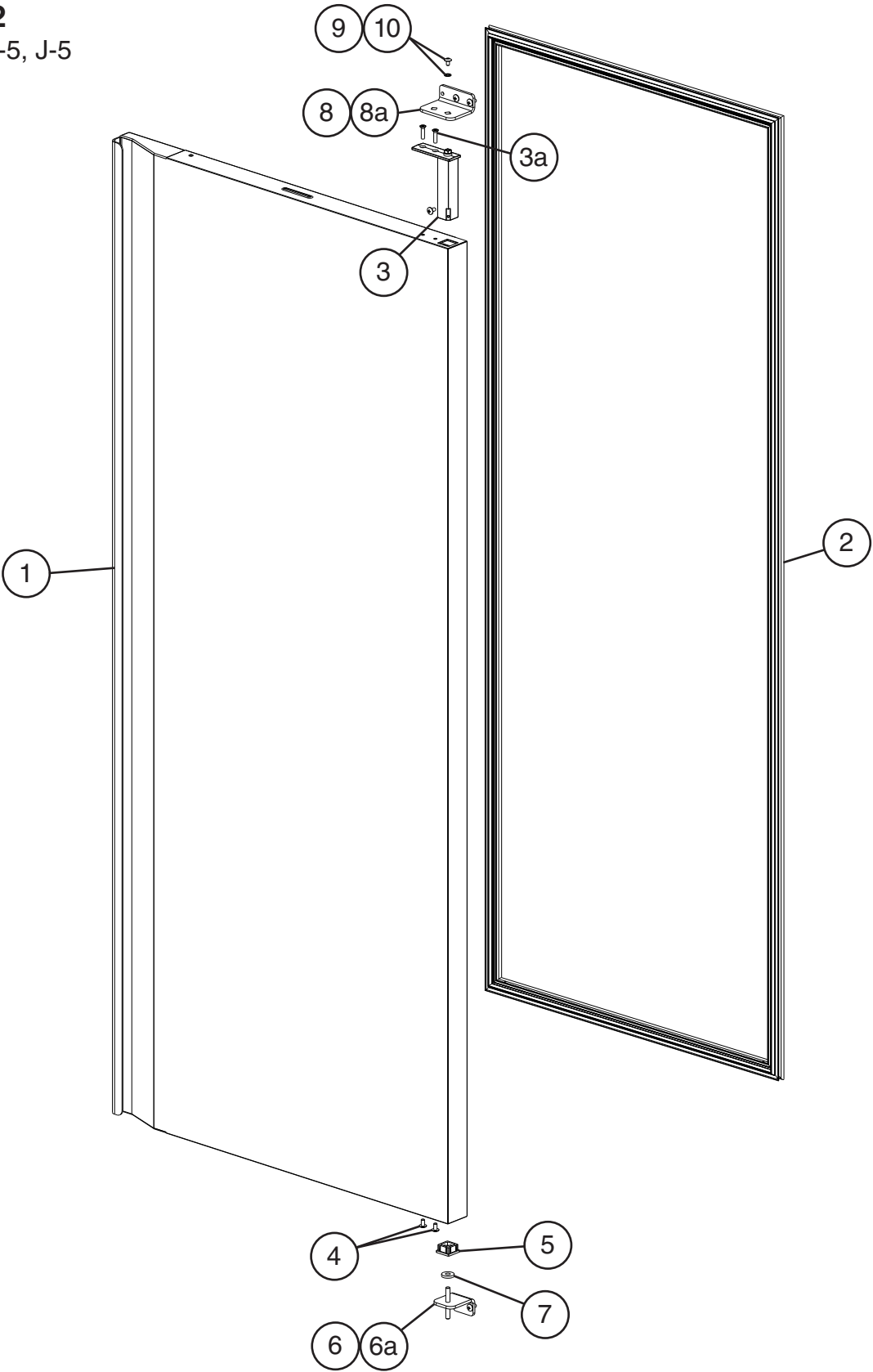


Title: C. Door-Full Glass Model: Full Glass											
Index No.	Description	Material or Model Number	Part Number	Required Number							
				H-5	J-5						
1	Right Glass Door	R_A-FG/FGCR	2A7834-03	1							
		F_A-FG	2A7834-04	1							
	Left Glass Door	R_A-FG/FGCL	2A7834-01	1							
		F2A-FG	2A7834-02	1							
2	Gasket		3A8864-01	1							
3	Upper Hinge Bracket		3A9162-01	1							
3a	Truss Head Screw	5x12, SS	7C32-0512	2							
4	Tension Rod (hinge pin)		3A7946-04	1							
5	Lock Nut		3A7946-05	1							
6	Lower Hinge Arm		3A7946-01	1							
7	Backer Plate		3A7946-08	1							
8	Bottom Hinge Bushing		3A7946-09	1							
9	Nylon Washer		3A7946-10	1							
10	Slide Pin		3A7946-11	1							
11	Lower Hinge Bracket		3A9161-01	1							
11a	Truss Head Screw	5x12, SS	7C32-0512	4							

**D. Door-Full Solid
Right Hinged**

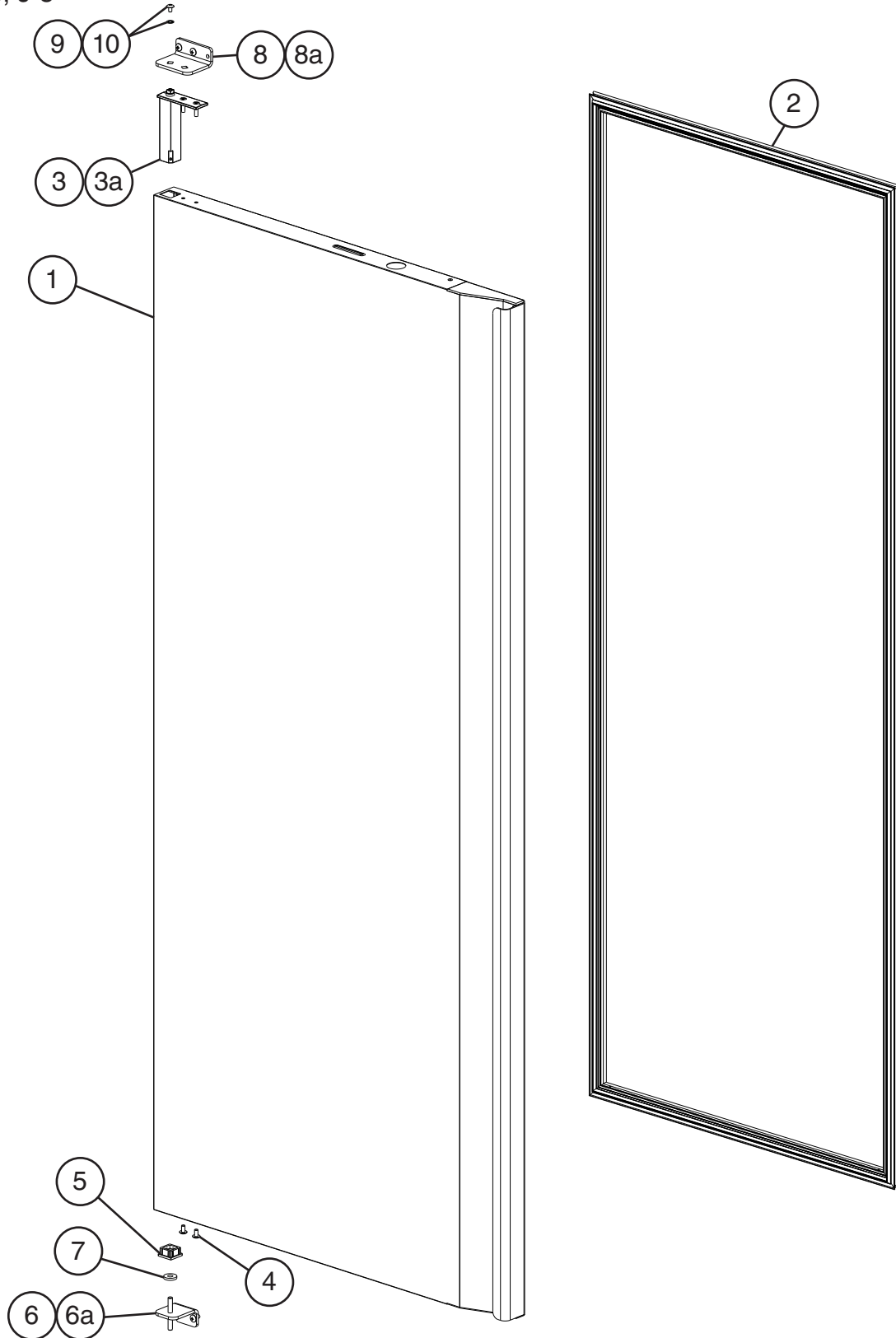
1/2

H-5, J-5



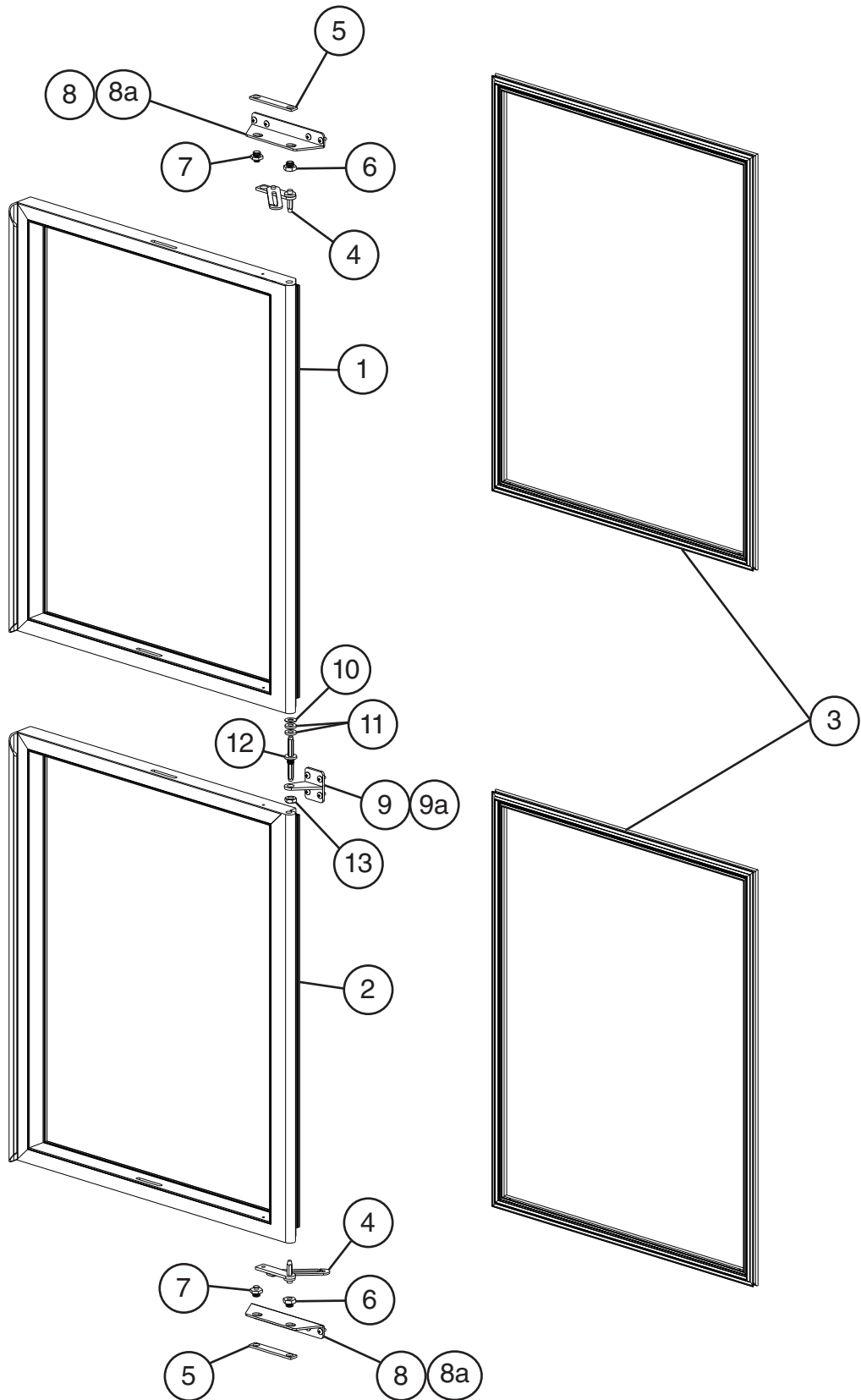
**D. Door-Full Solid
Left Hinged
2/2**

H-5, J-5



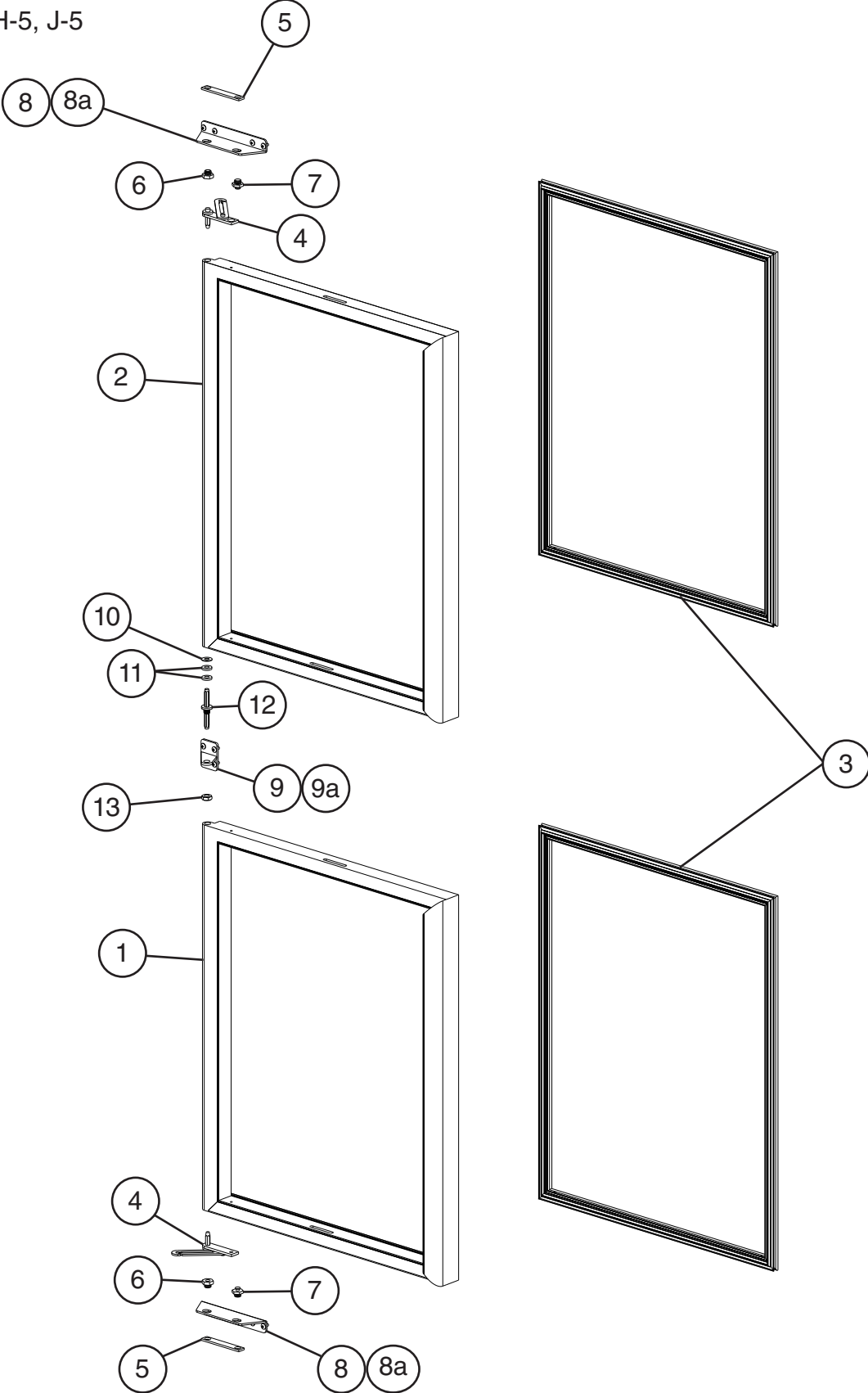
Title: D. Door-Full Solid Model: Full Solid												
Index No.	Description	Material or Model Number	Part Number	Required Number								
				H-5	J-5							
1	Right Door Assembly (includes items 2 through 5)		2A7814G01	1								
	Left Door Assembly (includes items 2 through 5)		2A7817G01	1								
2	Gasket		2A5192-07	1								
3	Spring Cartridge		3A9206-01	1								
3a	Spring Cartridge Screw	5x20, SS	7C42-0520	2								
4	Truss Head Screw (Filler Screw)	5x10, SS	7C32-0510	2								
5	Nylon Bearing		4A5232-01	1								
6	Lower Hinge Bracket		3A9767G01	1								
6a	Truss Head Screw	5x12, SS	7C32-0512	2								
7	Thrust Washer		4A5234-01	1								
8	Upper Hinge Bracket		3A9689-01	1								
8a	Truss Head Screw	5x12, SS	7C32-0512	2								
9	Upper Hinge Bracket Washer		4A5231-01	1								
10	Upper Hinge Bracket Screw		4A5230-01	1								

E. Door-Half Glass
Right Hinged
1/2
H-5, J-5



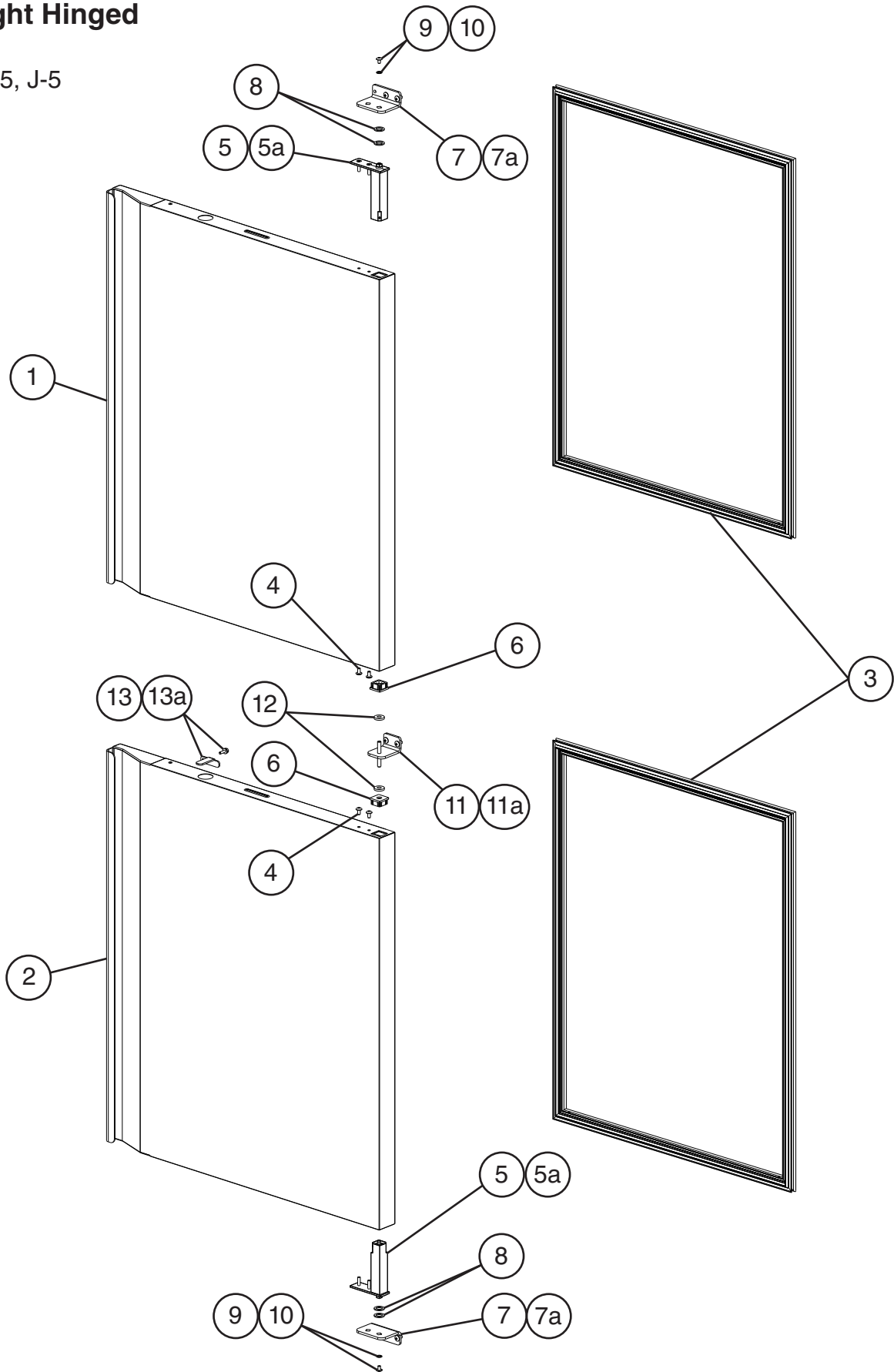
E. Door-Half Glass
Left Hinged
2/2

H-5, J-5



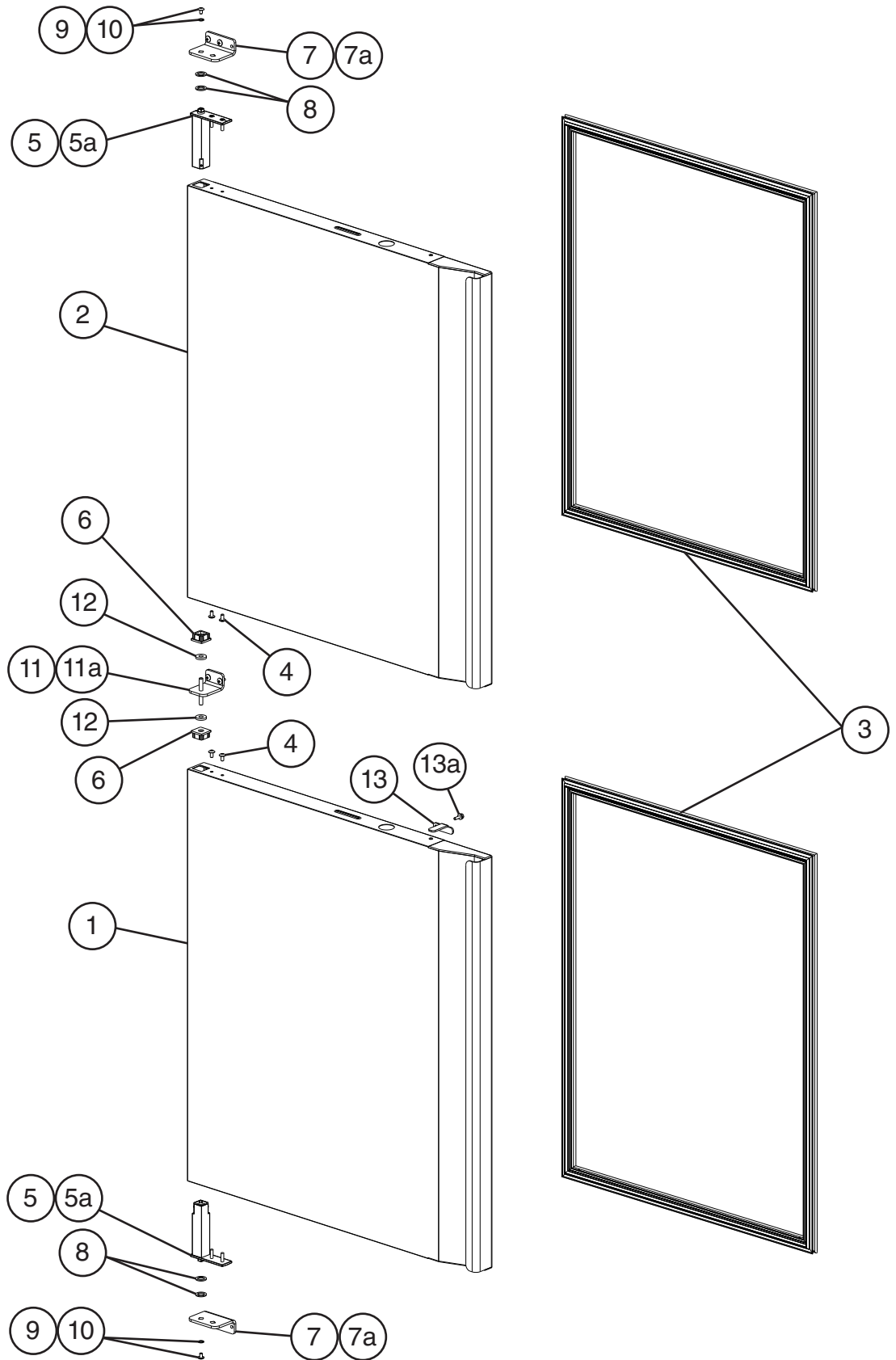
Title: E. Door-Half Glass Model: Half Glass												
Index No.	Description	Material or Model Number	Part Number	Required Number								
				H-5	J-5							
1	Upper Right/Lower Left Door Assembly (includes half the quantity of items 3 and 4)	R_A-HG	2A8649-01	1								
		F_A-HG	2A8649-02	1								
2	Lower Right/Upper Left Door Assembly (includes half the quantity of items 3 and 4)	R_A-HG	2A8649-03	1								
		F_A-HG	2A8649-02	1								
3	Gasket		2A5192-22	2								
4	Hinge Arm		3A7946-01	2								
5	Backer Plate		3A7946-08	2								
6	Hinge Bushing		3A7946-09	2								
7	Slide Pin		3A7946-11	2								
8	Hinge Bracket		3A9161-01	2								
8a	Truss Head Screw	5x12, SS	7C32-0512	8								
9	Middle Hinge Bracket		4A6223G01	1								
9a	Truss Head Screw	5x12, SS	7C32-0512	4								
10	Middle Hinge Washer		4A6243-01	1								
11	Nylon Washer		3A7946-10	2								
12	Hinge Pin		3A9858-01	1								
13	Hinge Pin Lock Nut		3A7946-05	1								

**F. Door-Half Solid
Right Hinged
1/2**
H-5, J-5



**F. Door-Half Solid
Left Hinged
2/2**

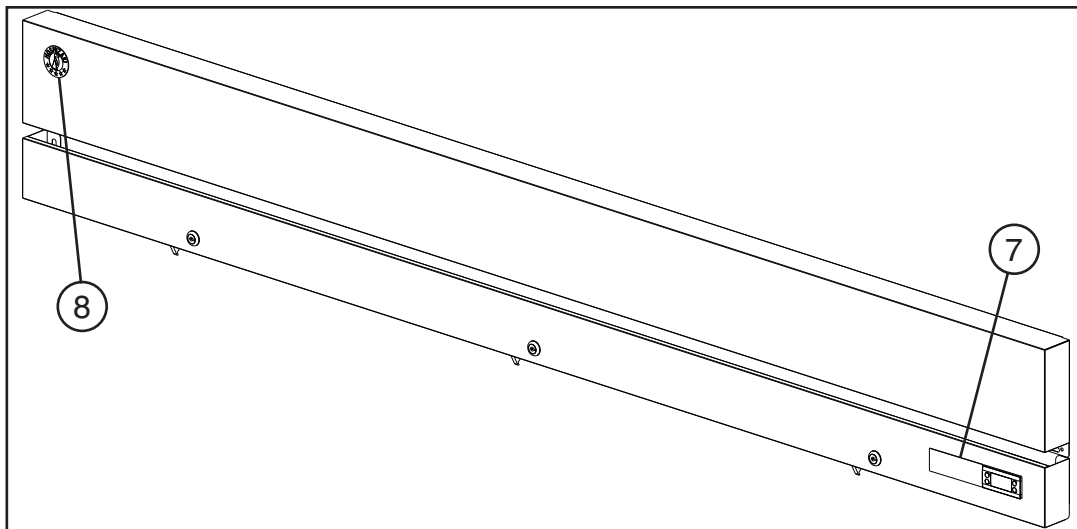
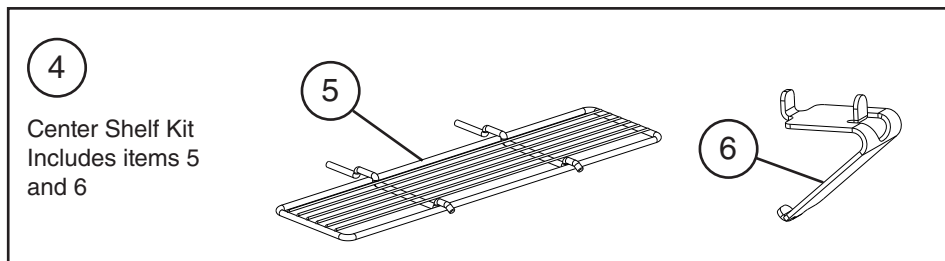
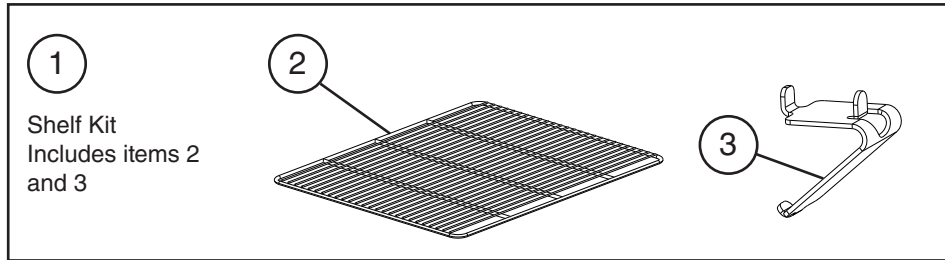
H-5, J-5



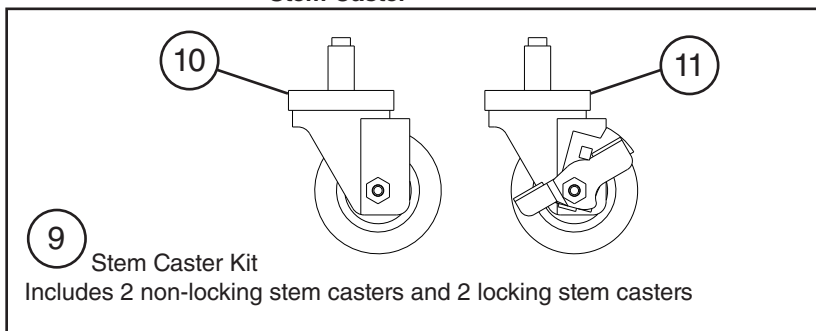
Title: F. Door-Half Solid Model: Half Solid												
Index No.	Description	Material or Model Number	Part Number	Required Number								
				H-5 J-5								
1	Upper Right/Lower Left Door Assembly (includes half the quantity of items 3 through 6)		2A7837G01	1								
2	Lower Right/Upper Left Door Assembly (includes half the quantity of items 3 through 6)		2A7838G01	1								
3	Gasket		2A5192-22	2								
4	Truss Head Screw (Filler Screw)	5x10, SS	7C32-0510	4								
5	Spring Cartridge		3A9206-01	2								
5a	Spring Cartridge Screw	5x20, SS	7C42-0520	4								
6	Nylon Bearing		4A5232-01	2								
7	Upper/Lower Hinge Bracket		3A9689-01	2								
7a	Truss Head Screw	5x12, SS	7C32-0512	4								
8	Thrust Washer		4A5233-01	4								
9	Lock Washer		4A5231-01	2								
10	Screw		4A5230-01	2								
11	Middle Hinge Bracket		3A9767G01	1								
11a	Truss Head Screw	5x12, SS	7C42-0512	2								
12	Thrust Washer		4A5234-01	2								
13	Half-Door Lock		4A5249-01	1								
13a	Bolt		449879-08	1								

G. Accessories & Labels

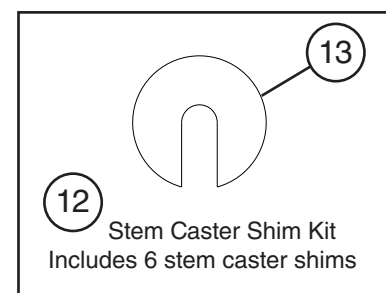
_1A-FG/FGCL/FGCR/FS/FSJ/FSL/FSLJ/HG/HS/HSL,
_2A-FG/FS/HG/HS, _3A-FG/FGCL/FGCR/FS/FSCL/FSCR/HG/HS
H-5, J-5



Stem Caster



Stem Caster Shim



Title: G. Accessories & Labels Model: _1A-FG/FGCL/FGCR/FS/FSJ/FSL/FSLJ/HG/HS/HSL, _2A-FG/FS/HG/HS, _3A-FG/FGCL/FGCR/FS/FSJ/FSL/FSCR/HG/HS

Index No.	Description	Material or Model Number	Part Number	Required Number							
				H-5	J-5						
1	Shelf Kit (3 Pack) (includes items 2 and 3)	_1A-XXXX	3A6902A01 (HS-5053)	1							
	Shelf Kit (3 Pack) (one kit includes half of items 2 and 3)	_2A-XXXX		2							
	Shelf Kit (3 Pack) (one kit includes a third of items 2 and 3)	_3A-XXXX		3							
	Shelf Kit (3 Pack) (one kit includes a sixth of items 2 and 3)	_ 3 A - F G C L / F G C R / F S C L / F S C R		6							
2	Shelf	R 1 A - F G C L / F G C R	3A6876-03 (HS-5052)	1							
		_1A-XXXX		3							
		_2A-XXXX		6							
		_3A-XXXX		9							
		_ 3 A - F G C L / F G C R / F S C L / F S C R		18							
3	Shelf Clip	R 1 A - F G C L / F G C R	428957-01	4							
		_1A-XXXX		12							
		_2A-XXXX		24							
		_3A-XXXX		36							
		_ 3 A - F G C L / F G C R / F S C L / F S C R		72							
4	Center Shelf Kit (3 Pack) (includes items 5 and 6)	_2A-XXXX	3A4451A01 (HS-3510)	1							
	Center Shelf Kit (3 Pack) (one kit includes half of items 5 and 6)	_3A-XXXX		2							
	Center Shelf Kit (3 Pack) (one kit includes fourth of items 5 and 6)	_ 3 A - F G C L / F G C R / F S C L / F S C R		4							
5	Center Shelf	_2A-XXXX	2A1579-01 (HS-3509)	3							
		_3A-XXXX		2A8875-01 (HS-5388)	6						
		_ 3 A - F G C L / F G C R / F S C L / F S C R			12						
6	Shelf Clip	_2A-XXXX	428957-01	3							
		_3A-XXXX		6							
		_ 3 A - F G C L / F G C R / F S C L / F S C R		12							
7	Hoshizaki Label	R_A-XXXX	3B0043-01	1							
		F_A-XXXX	3B0043-02	1							
8	Penguin Label		475552L02	1							

Title: G. Accessories & Labels Model: _1A-FG/FGCL/FGCR/FS/FSJ/FSL/FSLJ/HG/HS/HSL, _2A-FG/FS/HG/HS, _3A-FG/FGCL/FGCR/FS/FSL/FSCR/HG/HS

Index No.	Description	Material or Model Number	Part Number	Required Number									
				H-5									
Stem Caster													
9	4-inch Stem Caster Pack (includes 1 locking caster and 1 non-locking caster)	_1A-XXXX _2A-XXXX (HS-3546)	4A1347-03	2									
		_3A-XXXX (HS-5474)		4									
10	4" Non-Locking Caster	_1A-XXXX _2A-XXXX	4A1347-01	2									
		_3A-XXXX		4									
11	4" Locking Caster	_1A-XXXX _2A-XXXX	4A1347-02	2									
		_3A-XXXX		4									
12	Stem Caster Shim Kit (includes item 13)	_1A-XXXX _2A-XXXX	HS-3590	1									
		_3A-XXXX		2									
13	Stem Caster Shim	_1A-XXXX _2A-XXXX	4A3658-01	6									
		_3A-XXXX		12									