



# HOSHIZAKI

## Parts List

Self-Contained Crescent Cuber

Models

KM-81BAJ

KM-116BAJ

KM-161BAJ, BWJ



[hoshizakiamerica.com](http://hoshizakiamerica.com)

Number: 71431  
Issued: 7-24-2019  
Revised: 1-28-2021

## CONTENTS

|                                     |    |
|-------------------------------------|----|
| Auxiliary Codes.....                | 3  |
| Note About Ordering Parts .....     | 3  |
| A. Main Assembly .....              | 4  |
| B. Refrigeration Circuit.....       | 7  |
| KM-81BAJ, KM-116BAJ, KM-161BAJ..... | 7  |
| KM-161BWJ .....                     | 9  |
| C. Water Circuit.....               | 11 |
| D. Control Box Assembly.....        | 14 |
| E. Accessories & Labels .....       | 15 |

## **Auxiliary Codes**

### **KM-81BAJ**

J-0 April 2019  
K-0 January 2020  
K-1 March 2020  
K-2 May 2020  
K-3 August 2020  
L-0 January 2021

### **KM-116BAJ**

J-0 April 2019  
K-0 January 2020  
K-1 June 2020  
L-0 January 2021

### **KM-161BAJ**

J-0 April 2019  
K-0 January 2020  
K-1 March 2020  
K-2 May 2020  
K-3 August 2020  
L-0 January 2021

### **KM-161BWJ**

J-0 April 2019  
K-0 February 2020  
K-2 November 2020  
K-3 December 2020  
L-0 January 2021

## **Auxiliary Code Breakdown**

The auxiliary code is the first two characters in the serial number. The first character indicates the year. Years progress or regress in alphabetical order. The series runs from "A" through "V" and the letters "I" and "O" are skipped. The second character indicates significant part changes within a year. Base is "0" and this number advances for each change. In cases where there is a letter in parentheses, this designates the month. This is the last character in the serial number. The series runs from "(A)" through "(M)" and the letter "(I)" is skipped. This designation is only included when identifying a parts change within an auxiliary code.

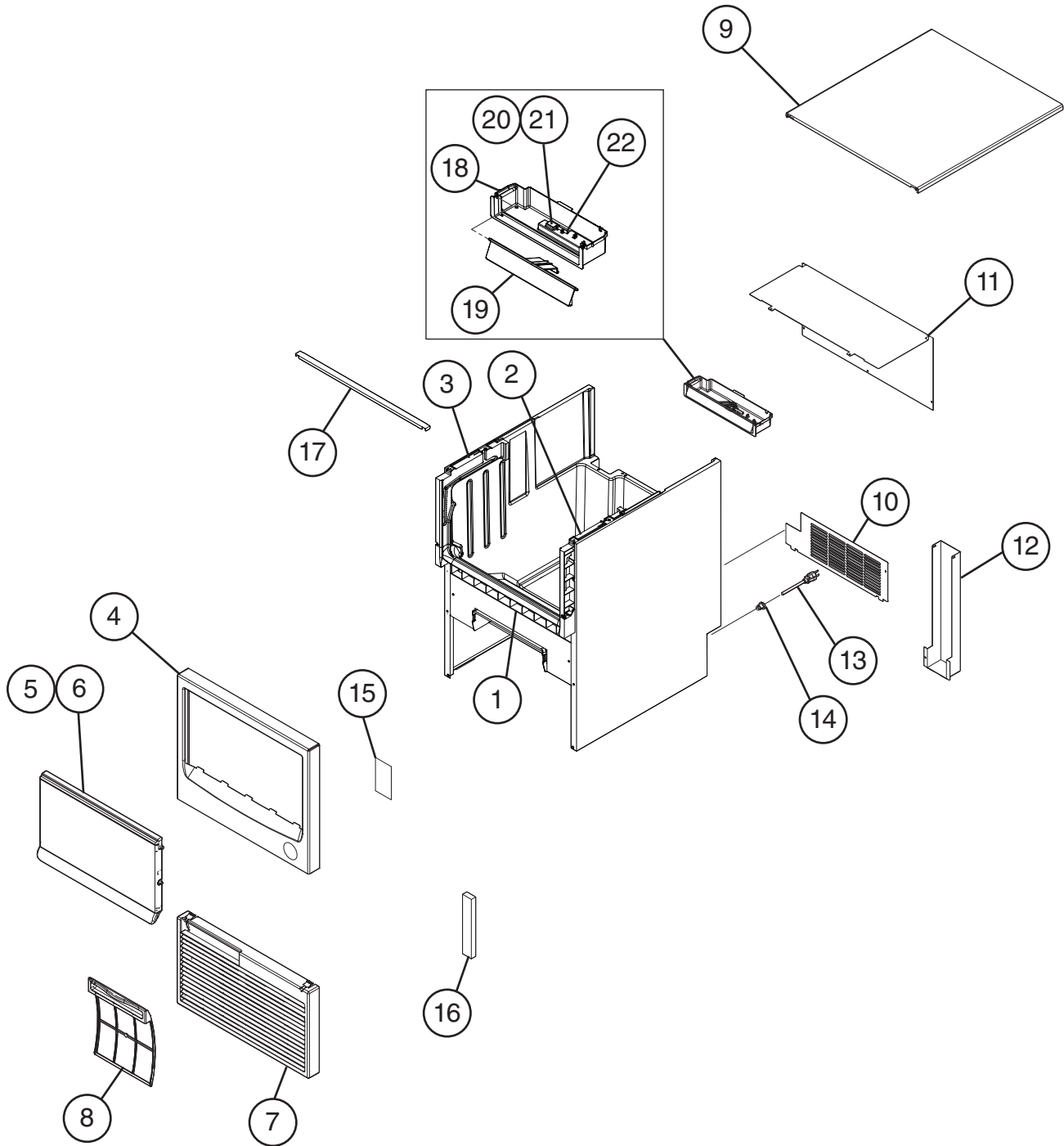
## **Note About Ordering Parts**

Most assemblies cannot be ordered as complete units; parts in the assemblies generally must be ordered separately.

# A. Main Assembly

KM-81BAJ, KM-116BAJ, KM-161BAJ, KM-161BWJ

J-0 to L-0



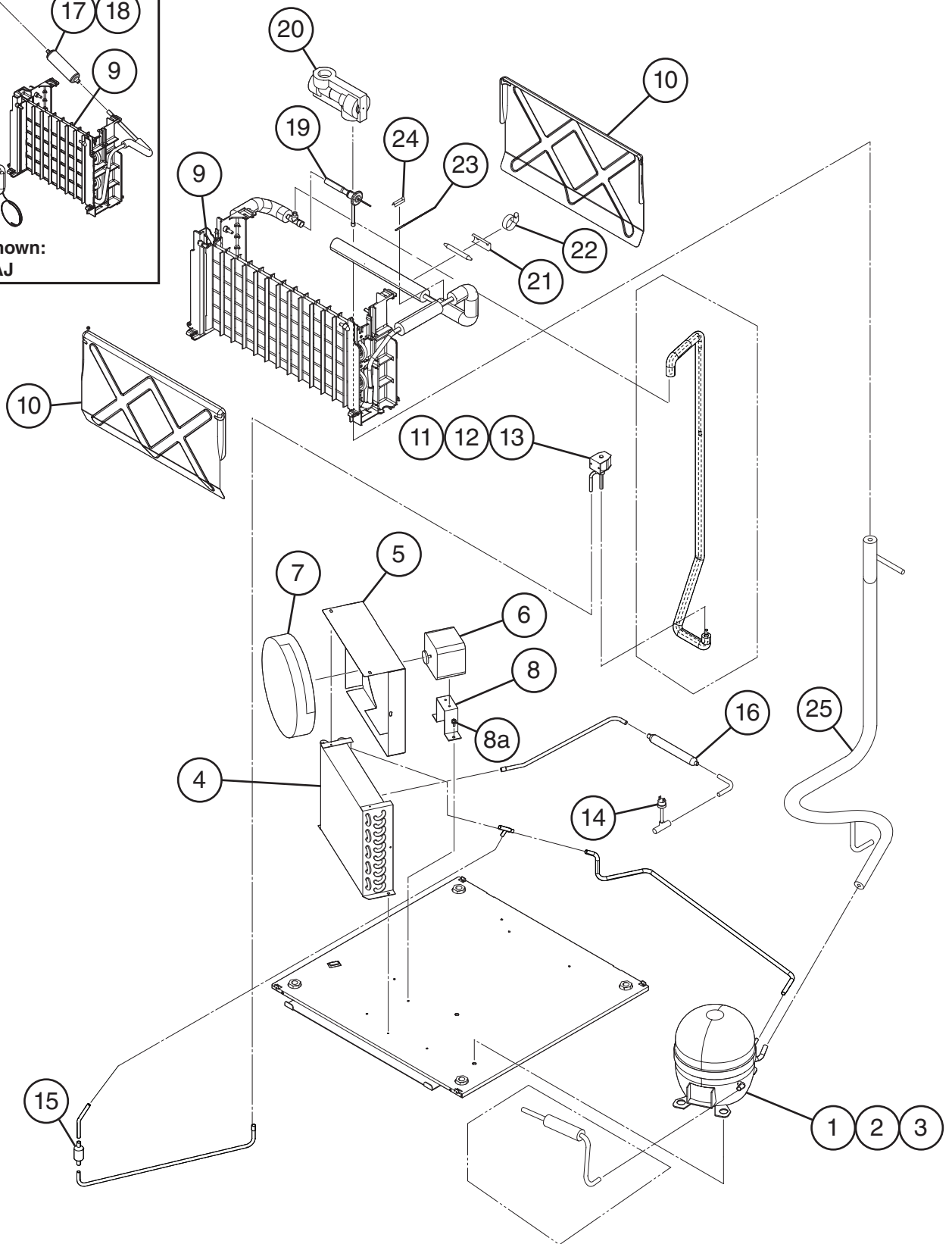
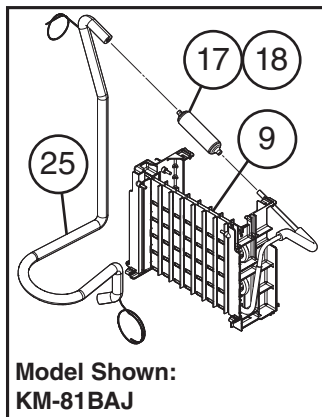
| Title: A. Main Assembly Model: KM-81BAJ, KM-116BAJ, KM-161BAJ, KM-161BWJ |  |                          |             |                 |            |  |  |  |  |  |  |
|--|--|--------------------------|-------------|-----------------|------------|--|--|--|--|--|--|
| Index No.  | Description                                  | Material or Model Number | Part Number | Required Number |            |  |  |  |  |  |  |
|  |  |                          |             | J-0 to K-1      | K-2 to L-0 |  |  |  |  |  |  |
| <b>Main Assembly</b>   |  |                          |             |                 |            |  |  |  |  |  |  |
| 1  | Front Frame                                  | KM-81BAJ                 | 250744-01   | 1               | 1          |  |  |  |  |  |  |
|  |  | KM-116BAJ, KM-161B_J     | 250745-01   | 1               | 1          |  |  |  |  |  |  |
| 2  | Right Rail                                   |                          | 124932P01   | 1               | 1          |  |  |  |  |  |  |
| 3  | Left Rail                                    |                          | 124933P01   | 1               | 1          |  |  |  |  |  |  |
| 4  | Front Panel                                  | KM-81BAJ                 | 2A9163G01   | 1               | 1          |  |  |  |  |  |  |
|  |  | KM-116BAJ, KM-161B_J     | 2A9130G01   | 1               | 1          |  |  |  |  |  |  |
| 5  | Door<br>(replace with<br>4 pieces of item 6) | KM-81BAJ                 | 374533G02   | 1               | -          |  |  |  |  |  |  |
|  |  |                          | 1A5921G01   |                 | 1          |  |  |  |  |  |  |
|  |  | KM-116BAJ, KM-161B_J     | 369051G01   | 1               | -          |  |  |  |  |  |  |
|  |  |                          | 1A5920G01   |                 | 1          |  |  |  |  |  |  |
| 6  | Collar                                       |                          | 481481P02   | 4               | 4          |  |  |  |  |  |  |
| 7  | Louver                                       | KM-81BAJ                 | 117636-01   | 1               | 1          |  |  |  |  |  |  |
|  |  | KM-116BAJ, KM-161B_J     | 117635-01   | 1               | 1          |  |  |  |  |  |  |
| 8  | Air Filter                                   | KM-81BAJ                 | 250728G01   | 1               | 1          |  |  |  |  |  |  |
|  |  | KM-116BAJ, KM-161B_J     | 250727G01   | 1               | 1          |  |  |  |  |  |  |
| 9  | Top Panel Assembly                           | KM-81BAJ                 | 2A9131A08   | 1               | 1          |  |  |  |  |  |  |
|  |  | KM-116BAJ                | 2A9131A07   | 1               | 1          |  |  |  |  |  |  |
|  |  | KM-161B_J                | 2A9131A09   | 1               | 1          |  |  |  |  |  |  |
| 10   | Rear Cover                                   | KM-81BAJ                 | 368311-01   | 1               | 1          |  |  |  |  |  |  |
|  |  | KM-116BAJ                | 368312-01   | 1               | 1          |  |  |  |  |  |  |
|  |  | KM-161BAJ                | 368313-01   | 1               | 1          |  |  |  |  |  |  |
|  |  | KM-161BWJ                | 371349M01   | 1               | 1          |  |  |  |  |  |  |
| 11   | Rear Panel                                   | KM-81BAJ                 | 370654M02   | 1               | 1          |  |  |  |  |  |  |
|  |  | KM-116BAJ                | 370654M01   | 1               | 1          |  |  |  |  |  |  |
|  |  | KM-161B_J                | 370654M03   | 1               | 1          |  |  |  |  |  |  |
| 12   | Pipe Cover                                   | KM-81BAJ                 | 368305-01   | 1               | 1          |  |  |  |  |  |  |
|  |  | KM-116BAJ                |             |                 |            |  |  |  |  |  |  |
|  |  | KM-161B_J                | 368305-02   | 1               | 1          |  |  |  |  |  |  |
| 13   | Power Supply Cord                            |                          | P00004-01   | 1               | 1          |  |  |  |  |  |  |
| 14   | Bushing                                      |                          | 420472-02   | 1               | 1          |  |  |  |  |  |  |
| 15   | Overflow Seal                                | KM-81BAJ                 | 472471P01   | 1               | 1          |  |  |  |  |  |  |
|  |  | KM-116BAJ, KM-161B_J     | 4Y4321P01   | 1               | 1          |  |  |  |  |  |  |
| 16   | Air Guard                                    | KM-81BAJ                 | 470302-01   | 1               | 1          |  |  |  |  |  |  |
|  |  | KM-116BAJ, KM-161BAJ     | 470302-02   | 1               | 1          |  |  |  |  |  |  |
|  |  | KM-161BWJ                | 371347M01   | 1               | 1          |  |  |  |  |  |  |
| 17   | Rail Brace                                   | KM-81BAJ                 | 482685M01   | 1               | 1          |  |  |  |  |  |  |
|  |  | KM-116BAJ, KM-161B_J     | 384405M01   | 1               | 1          |  |  |  |  |  |  |
| 18   | Mechanical Bin Control Housing               | KM-81BAJ                 | 4A6595G01   | 1               | 1          |  |  |  |  |  |  |
|  |  | KM-116BAJ, KM-161B_J     | 4A6594G01   | 1               | 1          |  |  |  |  |  |  |

| Title: A. Main Assembly Model: KM-81BAJ, KM-116BAJ, KM-161BAJ, KM-161BWJ |                                     |                             |             |                 |            |  |  |  |  |  |  |
|--|-------------------------------------|-----------------------------|-------------|-----------------|------------|--|--|--|--|--|--|
| Index No.  | Description                         | Material or Model Number    | Part Number | Required Number |            |  |  |  |  |  |  |
|  |                                     |                             |             | J-0 to K-1      | K-2 to L-0 |  |  |  |  |  |  |
| 19   | Mechanical Bin Control Actuator     | <b>KM-81BAJ</b>             | 371150G01   | 1               | 1          |  |  |  |  |  |  |
|  |                                     | <b>KM-116BAJ, KM-161B_J</b> | 371152G01   | 1               | 1          |  |  |  |  |  |  |
| 20   | Mechanical Bin Control              |                             | 431788-02   | 1               | 1          |  |  |  |  |  |  |
| 21   | Mechanical Bin Control Switch Cover |                             | 470314-01   | 1               | 1          |  |  |  |  |  |  |
| 22   | Silicone Hose                       | L=680 mm                    | 773013656   | 1               | 1          |  |  |  |  |  |  |

# B. Refrigeration Circuit

## KM-81BAJ, KM-116BAJ, KM-161BAJ

J-0 to L-0



**Title: B. Refrigeration Circuit Model: KM-81BAJ, KM-116BAJ, KM-161BAJ**

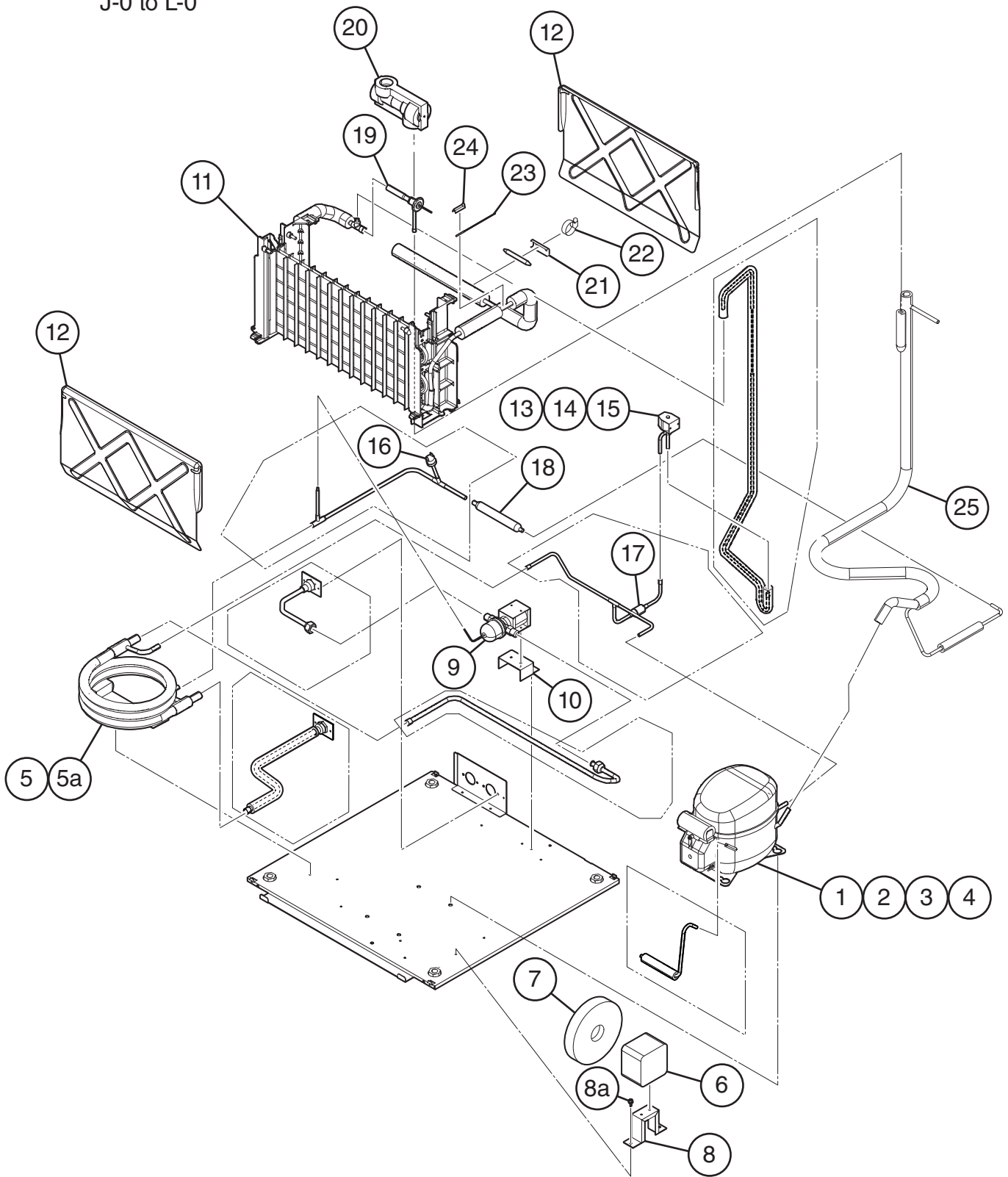
| Index No. | Description                         | Material or Model Number    | Part Number | Required Number |  |  |  |  |  |  |  |  |  |  |  |  |  |  |  |  |
|-----------|-------------------------------------|-----------------------------|-------------|-----------------|--|--|--|--|--|--|--|--|--|--|--|--|--|--|--|--|
|           |                                     |                             |             | J-0 to L-0      |  |  |  |  |  |  |  |  |  |  |  |  |  |  |  |  |
| 1         | Compressor                          | <b>KM-81BAJ</b>             | P00023-01   | 1               |  |  |  |  |  |  |  |  |  |  |  |  |  |  |  |  |
|           |                                     | <b>KM-116BAJ</b>            | P00024-01   | 1               |  |  |  |  |  |  |  |  |  |  |  |  |  |  |  |  |
|           |                                     | <b>KM-161BAJ</b>            | P00025-01   | 1               |  |  |  |  |  |  |  |  |  |  |  |  |  |  |  |  |
| 2         | PTC Start Relay                     | <b>KM-81BAJ</b>             | P00354-01   | 1               |  |  |  |  |  |  |  |  |  |  |  |  |  |  |  |  |
|           |                                     | <b>KM-116BAJ</b>            | P00359-01   | 1               |  |  |  |  |  |  |  |  |  |  |  |  |  |  |  |  |
|           |                                     | <b>KM-161BAJ</b>            | 438849-01   | 1               |  |  |  |  |  |  |  |  |  |  |  |  |  |  |  |  |
| 3         | Motor Protector                     | <b>KM-81BAJ</b>             | 456254-01   | 1               |  |  |  |  |  |  |  |  |  |  |  |  |  |  |  |  |
|           |                                     | <b>KM-116BAJ</b>            | P00360-01   | 1               |  |  |  |  |  |  |  |  |  |  |  |  |  |  |  |  |
|           |                                     | <b>KM-161BAJ</b>            | P00363-01   | 1               |  |  |  |  |  |  |  |  |  |  |  |  |  |  |  |  |
| 4         | Condenser                           | <b>KM-81BAJ</b>             | P00003-01   | 1               |  |  |  |  |  |  |  |  |  |  |  |  |  |  |  |  |
|           |                                     | <b>KM-116BAJ</b>            | P00028-01   | 1               |  |  |  |  |  |  |  |  |  |  |  |  |  |  |  |  |
|           |                                     | <b>KM-161BAJ</b>            | P00030-01   | 1               |  |  |  |  |  |  |  |  |  |  |  |  |  |  |  |  |
| 5         | Shroud                              | <b>KM-81BAJ</b>             | 368317-01   | 1               |  |  |  |  |  |  |  |  |  |  |  |  |  |  |  |  |
|           |                                     | <b>KM-116BAJ</b>            | 368318-01   | 1               |  |  |  |  |  |  |  |  |  |  |  |  |  |  |  |  |
|           |                                     | <b>KM-161BAJ</b>            | 3B0352-01   | 1               |  |  |  |  |  |  |  |  |  |  |  |  |  |  |  |  |
| 6         | Fan Motor                           | <b>KM-81BAJ</b>             | 384355G01   | 1               |  |  |  |  |  |  |  |  |  |  |  |  |  |  |  |  |
|           |                                     | <b>KM-116BAJ, KM-161BAJ</b> | 384356G01   | 1               |  |  |  |  |  |  |  |  |  |  |  |  |  |  |  |  |
| 7         | Fan Blade                           |                             | P00006-01   | 1               |  |  |  |  |  |  |  |  |  |  |  |  |  |  |  |  |
| 8         | Fan Motor Bracket                   |                             | 4A6952-01   | 1               |  |  |  |  |  |  |  |  |  |  |  |  |  |  |  |  |
| 8a        | Bolt                                |                             | 436206-03   | 2               |  |  |  |  |  |  |  |  |  |  |  |  |  |  |  |  |
| 9         | Evaporator                          | <b>KM-81BAJ</b>             | 2A9161G01   | 1               |  |  |  |  |  |  |  |  |  |  |  |  |  |  |  |  |
|           |                                     | <b>KM-116BAJ</b>            | 2A9148G01   | 1               |  |  |  |  |  |  |  |  |  |  |  |  |  |  |  |  |
|           |                                     | <b>KM-161BAJ</b>            | 2A9133G01   | 1               |  |  |  |  |  |  |  |  |  |  |  |  |  |  |  |  |
| 10        | Separator                           | <b>KM-81BAJ</b>             | 250749-02   | 2               |  |  |  |  |  |  |  |  |  |  |  |  |  |  |  |  |
|           |                                     | <b>KM-116BAJ</b>            | 250749-01   | 2               |  |  |  |  |  |  |  |  |  |  |  |  |  |  |  |  |
|           |                                     | <b>KM-161BAJ</b>            | 250749-03   | 2               |  |  |  |  |  |  |  |  |  |  |  |  |  |  |  |  |
| 11        | Hot Gas Valve                       |                             | 4A3275-01   | 1               |  |  |  |  |  |  |  |  |  |  |  |  |  |  |  |  |
| 12        | Coil Valve                          |                             | 384347G01   | 1               |  |  |  |  |  |  |  |  |  |  |  |  |  |  |  |  |
| 13        | Bolt                                |                             | 4A3277F01   | 1               |  |  |  |  |  |  |  |  |  |  |  |  |  |  |  |  |
| 14        | High-Pressure Switch                | <b>KM-161BAJ</b>            | 463180-02   | 1               |  |  |  |  |  |  |  |  |  |  |  |  |  |  |  |  |
| 15        | Strainer                            | <b>KM-81BAJ</b>             | 441569-01   | 1               |  |  |  |  |  |  |  |  |  |  |  |  |  |  |  |  |
|           |                                     | <b>KM-116BAJ, KM-161BAJ</b> | 441569-02   | 1               |  |  |  |  |  |  |  |  |  |  |  |  |  |  |  |  |
| 16        | Drier                               | <b>KM-81BAJ, KM-116BAJ</b>  | P00007-01   | 1               |  |  |  |  |  |  |  |  |  |  |  |  |  |  |  |  |
|           |                                     | <b>KM-161BAJ</b>            | 458776-01   | 1               |  |  |  |  |  |  |  |  |  |  |  |  |  |  |  |  |
| 17        | Accumulator                         | <b>KM-81BAJ</b>             | P00010-01   | 1               |  |  |  |  |  |  |  |  |  |  |  |  |  |  |  |  |
|           |                                     | <b>KM-116BAJ</b>            | P00010-02   | 1               |  |  |  |  |  |  |  |  |  |  |  |  |  |  |  |  |
| 18        | Accumulator Cover                   | <b>KM-81BAJ, KM-116BAJ</b>  | 7762-3555   | 1               |  |  |  |  |  |  |  |  |  |  |  |  |  |  |  |  |
| 19        | Thermostatic Expansion Valve        | <b>KM-161BAJ</b>            | P00318-01   | 1               |  |  |  |  |  |  |  |  |  |  |  |  |  |  |  |  |
| 20        | Thermostatic Expansion Valve Cover  | <b>KM-161BAJ</b>            | 369332Z01   | 1               |  |  |  |  |  |  |  |  |  |  |  |  |  |  |  |  |
| 21        | Thermostatic Expansion Valve Holder | <b>KM-161BAJ</b>            | 451267-01   | 1               |  |  |  |  |  |  |  |  |  |  |  |  |  |  |  |  |
| 22        | Clamp                               | <b>KM-161BAJ</b>            | 443461-01   | 1               |  |  |  |  |  |  |  |  |  |  |  |  |  |  |  |  |
| 23        | Thermistor                          |                             | P00027-01   | 1               |  |  |  |  |  |  |  |  |  |  |  |  |  |  |  |  |
| 24        | Thermistor Holder                   |                             | 436455-01   | 1               |  |  |  |  |  |  |  |  |  |  |  |  |  |  |  |  |
| 25        | Heat Exchanger                      | <b>KM-81BAJ</b>             | 2A9160G01   | 1               |  |  |  |  |  |  |  |  |  |  |  |  |  |  |  |  |
|           |                                     | <b>KM-116BAJ</b>            | 2A9149G01   | 1               |  |  |  |  |  |  |  |  |  |  |  |  |  |  |  |  |
|           |                                     | <b>KM-161BAJ</b>            | 2A9134G01   | 1               |  |  |  |  |  |  |  |  |  |  |  |  |  |  |  |  |



# B. Refrigeration Circuit

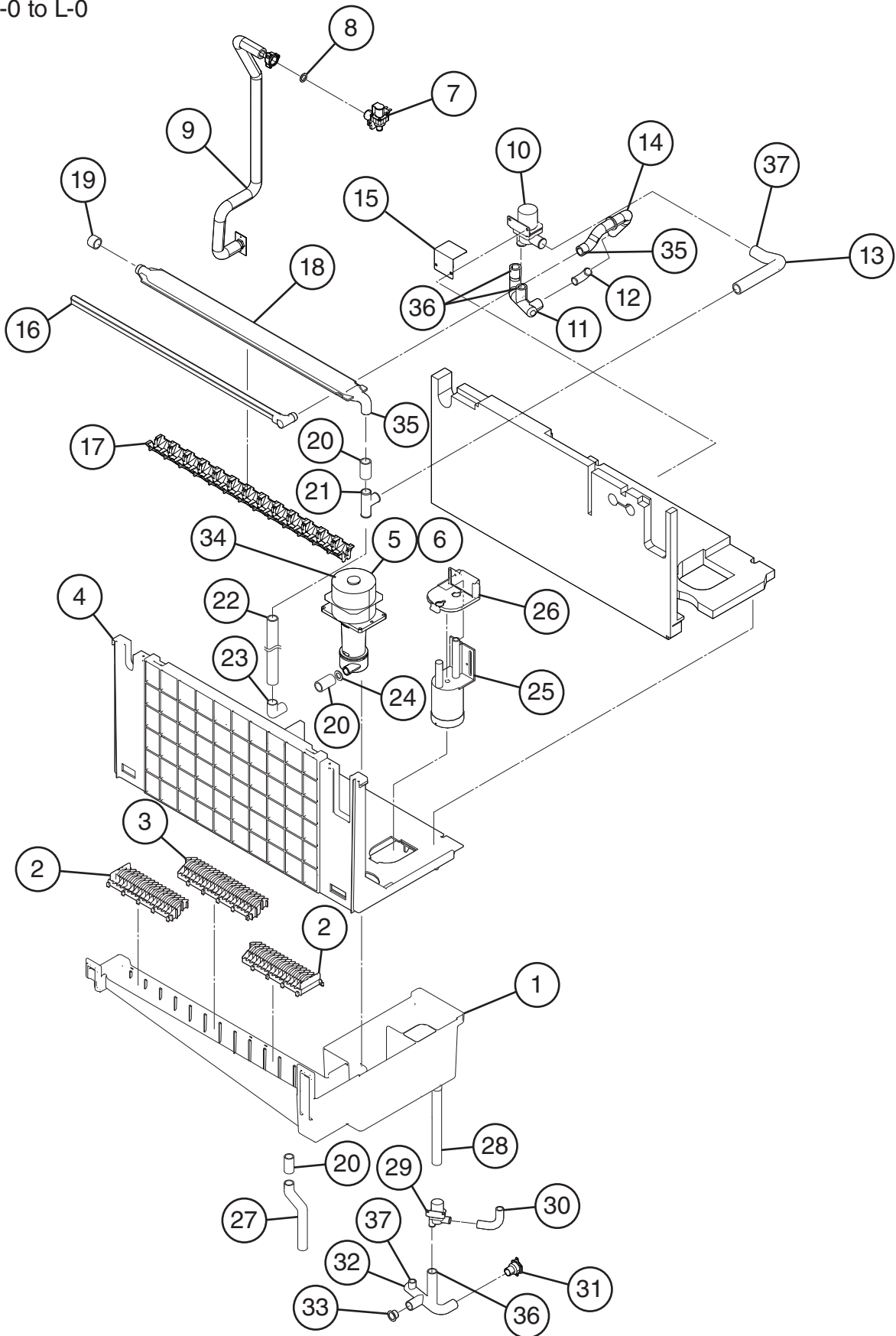
## KM-161BWJ

J-0 to L-0



| Title: B. Refrigeration Circuit Model: KM-161BWJ |                                     |                          |             |                 |  |  |  |  |  |  |  |  |
|--|-------------------------------------|--------------------------|-------------|-----------------|--|--|--|--|--|--|--|--|
| Index No.  | Description                         | Material or Model Number | Part Number | Required Number |  |  |  |  |  |  |  |  |
|  |                                     |                          |             | J-0 to L-0      |  |  |  |  |  |  |  |  |
| 1  | Compressor                          |                          | P04286-01   | 1               |  |  |  |  |  |  |  |  |
| 2  | PTC Start Relay                     |                          | P04291-01   | 1               |  |  |  |  |  |  |  |  |
| 3  | Start Capacitor                     | 189-227MFD, 165VAC       | P04288-01   | 1               |  |  |  |  |  |  |  |  |
| 4  | External Protector                  |                          | P04290-01   | 1               |  |  |  |  |  |  |  |  |
| 5  | Condenser                           |                          | P01539-01   | 1               |  |  |  |  |  |  |  |  |
| 5a   | Flange Bolt                         |                          | 7B0230512   | 4               |  |  |  |  |  |  |  |  |
| 6  | Fan Motor                           |                          | 384355G01   | 1               |  |  |  |  |  |  |  |  |
| 7  | Fan Blade                           |                          | P01056-01   | 1               |  |  |  |  |  |  |  |  |
| 8  | Fan Motor Bracket                   |                          | 4A6952-01   | 1               |  |  |  |  |  |  |  |  |
| 8a   | Bolt                                |                          | 436206-03   | 2               |  |  |  |  |  |  |  |  |
| 9  | Water Regulating Valve              |                          | P04020-01   | 1               |  |  |  |  |  |  |  |  |
| 10   | Water Regulating Valve Bracket      |                          | 371348M01   | 1               |  |  |  |  |  |  |  |  |
| 11   | Evaporator                          |                          | 2A9133G01   | 1               |  |  |  |  |  |  |  |  |
| 12   | Separator                           |                          | 250749-03   | 2               |  |  |  |  |  |  |  |  |
| 13   | Hot Gas Valve                       |                          | 4A3275-01   | 1               |  |  |  |  |  |  |  |  |
| 14   | Coil Valve                          |                          | 384352G01   | 1               |  |  |  |  |  |  |  |  |
| 15   | Bolt                                |                          | 4A3277F01   | 1               |  |  |  |  |  |  |  |  |
| 16   | High-Pressure Switch                |                          | 463180-02   | 1               |  |  |  |  |  |  |  |  |
| 17   | Strainer                            |                          | 441569-02   | 1               |  |  |  |  |  |  |  |  |
| 18   | Drier                               |                          | 458776-01   | 1               |  |  |  |  |  |  |  |  |
| 19   | Thermostatic Expansion Valve        |                          | P00318-01   | 1               |  |  |  |  |  |  |  |  |
| 20   | Thermostatic Expansion Valve Cover  |                          | 369332Z01   | 1               |  |  |  |  |  |  |  |  |
| 21   | Thermostatic Expansion Valve Holder |                          | 451267-01   | 1               |  |  |  |  |  |  |  |  |
| 22   | Clamp                               |                          | 443461-01   | 1               |  |  |  |  |  |  |  |  |
| 23   | Thermistor                          |                          | P00027-01   | 1               |  |  |  |  |  |  |  |  |
| 24   | Thermistor Holder                   |                          | 436455-01   | 1               |  |  |  |  |  |  |  |  |
| 25   | Heat Exchanger                      |                          | 2A9140G01   | 1               |  |  |  |  |  |  |  |  |

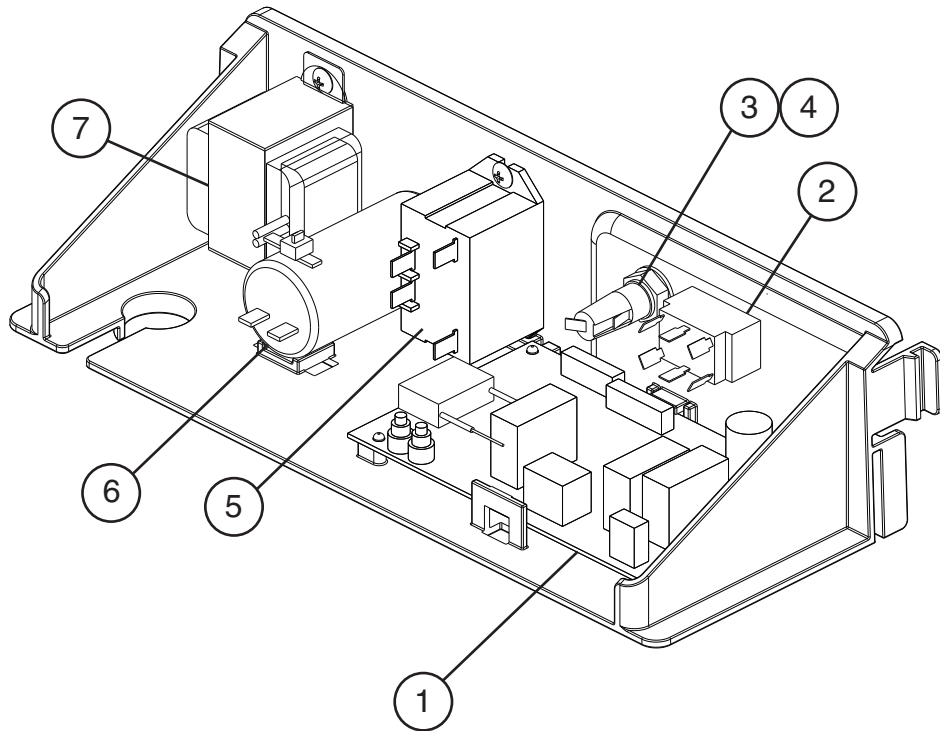
**C. Water Circuit**  
**KM-81BAJ, KM-116BAJ, KM-161B\_J**  
J-0 to L-0



| Title: C. Water Circuit Model: KM-81BAJ, KM-116BAJ, KM-161B_J |                       |                          |             |                 |            |  |  |  |  |  |  |
|---|-----------------------|--------------------------|-------------|-----------------|------------|--|--|--|--|--|--|
| Index No.   | Description           | Material or Model Number | Part Number | Required Number |            |  |  |  |  |  |  |
|   |                       |                          |             | J-0 to K-2      | K-3 to L-0 |  |  |  |  |  |  |
| 1   | Water Tank            | KM-81BAJ                 | 117637-01   | 1               | 1          |  |  |  |  |  |  |
|   |                       | KM-116BAJ                | 117638-01   | 1               | 1          |  |  |  |  |  |  |
|   |                       | KM-161B_J                | 117639-01   | 1               | 1          |  |  |  |  |  |  |
| 2   | Cube Guide A          |                          | 250742-01   | 2               | 2          |  |  |  |  |  |  |
| 3   | Cube Guide B          | KM-116BAJ                | 250741-01   | 1               | 1          |  |  |  |  |  |  |
|   |                       | KM-161B_J                | 250740-01   | 1               | 1          |  |  |  |  |  |  |
| 4   | Ice Making Bracket    | KM-81BAJ                 | 117630-01   | 1               | 1          |  |  |  |  |  |  |
|   |                       | KM-116BAJ                | 117631-01   | 1               | 1          |  |  |  |  |  |  |
|   |                       | KM-161B_J                | 117632-01   | 1               | 1          |  |  |  |  |  |  |
| 5   | Pump Motor            | KM-81BAJ                 | 384354G01   | 1               | 1          |  |  |  |  |  |  |
|   |                       | KM-116BAJ, KM-161B_J     | P00468-01   | 1               | 1          |  |  |  |  |  |  |
| 6   | Pump Motor Capacitor  | 1MFD, 400V               | 4A2128-09   | 1               | 1          |  |  |  |  |  |  |
| 7   | Inlet Water Valve     | KM-81BAJ, KM-116BAJ      | 3U0152-01   | 1               | 1          |  |  |  |  |  |  |
|   |                       | KM-161B_J                | 3U0133-01   | 1               | 1          |  |  |  |  |  |  |
| 8   | Rubber Gasket         |                          | 413854-03   | 1               | 1          |  |  |  |  |  |  |
| 9   | Water Supply Pipe     | KM-81BAJ                 | 4A6705G01   | 1               | 1          |  |  |  |  |  |  |
|   |                       | KM-116BAJ                | 4A6701G01   | 1               | 1          |  |  |  |  |  |  |
|   |                       | KM-161B_J                | 4A6685G01   | 1               | 1          |  |  |  |  |  |  |
| 10  | Cleaning Valve        |                          | 384353G01   | 1               | 1          |  |  |  |  |  |  |
| 11  | Water Supply Pipe (A) |                          | 384395R01   | 1               | 1          |  |  |  |  |  |  |
| 12  | Elbow                 |                          | 470303-01   | 1               | 1          |  |  |  |  |  |  |
| 13  | Bypass Hose           |                          | 374229R01   | 1               | 1          |  |  |  |  |  |  |
| 14  | Water Supply Pipe (B) |                          | 374228R01   | 1               | 1          |  |  |  |  |  |  |
| 15  | Drain Valve Cover     |                          | 482837M01   | 1               | 1          |  |  |  |  |  |  |
| 16  | Water Supply Tube     | KM-81BAJ                 | 250743-02   | 1               | 1          |  |  |  |  |  |  |
|   |                       | KM-116BAJ                | 250743-01   | 1               | 1          |  |  |  |  |  |  |
|   |                       | KM-161B_J                | 250743-03   | 1               | 1          |  |  |  |  |  |  |
| 17  | Spray Guide           | KM-81BAJ                 | 252052P02   | 1               | 1          |  |  |  |  |  |  |
|   |                       | KM-116BAJ                | 252052P01   | 1               | 1          |  |  |  |  |  |  |
|   |                       | KM-161B_J                | 252052P03   | 1               | 1          |  |  |  |  |  |  |
| 18  | Spray Tube            | KM-81BAJ                 | 250746-02   | 1               | 1          |  |  |  |  |  |  |
|   |                       | KM-116BAJ                | 250746-01   | 1               | 1          |  |  |  |  |  |  |
|   |                       | KM-161B_J                | 250746-03   | 1               | 1          |  |  |  |  |  |  |
| 19  | Spray Tube Cap        |                          | 370777R01   | 1               | 1          |  |  |  |  |  |  |
| 20  | Silicone Hose         | L=90 mm                  | 7730-1519   | 3               | 3          |  |  |  |  |  |  |
| 21  | Tee                   |                          | 470312-01   | 1               | 1          |  |  |  |  |  |  |
| 22  | Silicone Hose         | L=280 mm                 | 7730-1519   | 1               | 1          |  |  |  |  |  |  |
| 23  | Elbow                 |                          | 417703-01   | 1               | 1          |  |  |  |  |  |  |
| 24  | Washer                | KM-81BAJ                 | 4Y4194P01   | 1               | 1          |  |  |  |  |  |  |
|   |                       | KM-116BAJ, KM-161B_J     | 4Y4194P02   | 1               | 1          |  |  |  |  |  |  |
| 25  | Float Switch          |                          | 4A3624-04   | 1               | 1          |  |  |  |  |  |  |
| 26  | Float Switch Bracket  | KM-161B_J                | 368339-01   | 1               | 1          |  |  |  |  |  |  |

| <b>Title: C. Water Circuit    Model: KM-81BAJ, KM-116BAJ, KM-161B_J</b> |                    |                          |             |                 |            |  |  |  |  |  |  |
|---|--------------------|--------------------------|-------------|-----------------|------------|--|--|--|--|--|--|
| Index No.   | Description        | Material or Model Number | Part Number | Required Number |            |  |  |  |  |  |  |
|   |                    |                          |             | J-0 to K-2      | K-3 to L-0 |  |  |  |  |  |  |
| 27  | Overflow Pipe      | <b>KM-81BAJ</b>          | 369038P01   | 1               | 1          |  |  |  |  |  |  |
|   |                    | <b>KM-116BAJ</b>         | 369038P02   | 1               | 1          |  |  |  |  |  |  |
|   |                    | <b>KM-161B_J</b>         | 369038P03   | 1               | 1          |  |  |  |  |  |  |
| 28  | Silicone Hose      | L=150 mm                 | 7730-1519   | 1               | 1          |  |  |  |  |  |  |
| 29  | Drain Valve        |                          | 384352G01   | 1               | 1          |  |  |  |  |  |  |
| 30  | Drain Valve Hose   |                          | 470304-01   | 1               | 1          |  |  |  |  |  |  |
| 31  | Drain Fitting      |                          | 2A9337G01   | 1               | 1          |  |  |  |  |  |  |
| 32  | Drain Hose         |                          | 370704R01   | 1               | 1          |  |  |  |  |  |  |
| 33  | Drain Cap          |                          | 472250P01   | 1               | 1          |  |  |  |  |  |  |
| 34  | Pump Motor Barrier |                          | 4A6948-01   |                 | 1          |  |  |  |  |  |  |
| <b>Hose Clamps</b>  |                    |                          |             |                 |            |  |  |  |  |  |  |
| 35  | Hose Clamp         | 16.5 mm                  | 427443-04   | 2               | 2          |  |  |  |  |  |  |
| 36  | Hose Clamp         | 18 mm                    | 427443-05   | 3               | 3          |  |  |  |  |  |  |
| 37  | Hose Clamp         | 20 mm                    | 427443-06   | 2               | 2          |  |  |  |  |  |  |

**D. Control Box Assembly**  
**KM-81BAJ, KM-116BAJ, KM-161B\_J**  
 J-0 to L-0

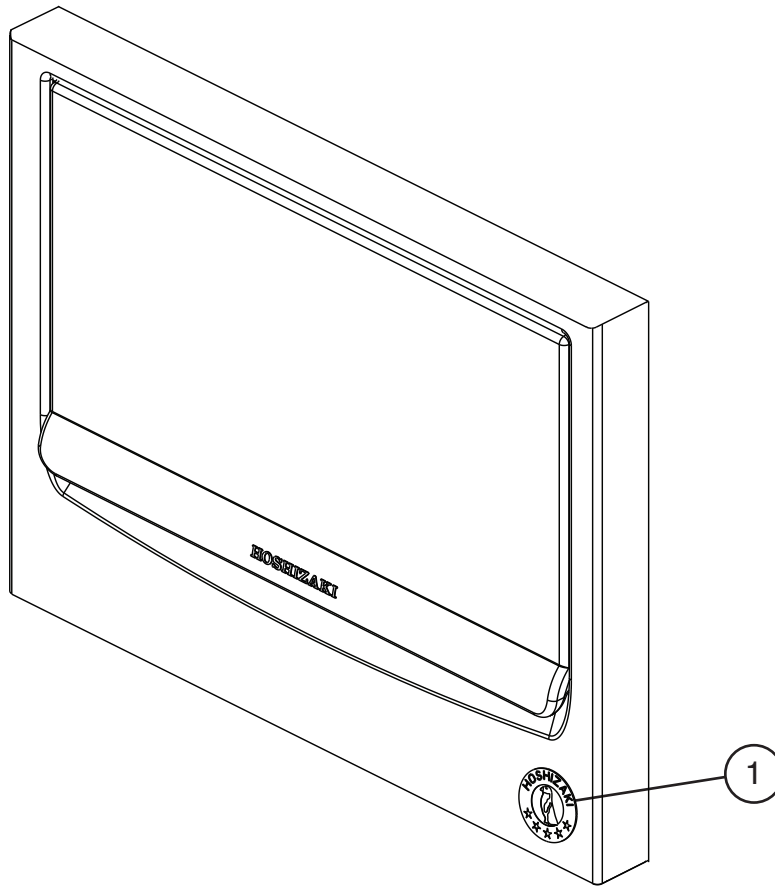


| Title: D. Control Box Assembly Model: KM-81BAJ, KM-116BAJ, KM-161B_J |                     |  |             |            | Required Number |  |  |  |  |  |  |  |  |
|--|---------------------|--|-------------|------------|-----------------|--|--|--|--|--|--|--|--|
| Index No.  | Description         | Material or Model Number                                   | Part Number | J-0 to L-0 |                 |  |  |  |  |  |  |  |  |
| 1  | Control Board       |  | P01771-02   | 1          |                 |  |  |  |  |  |  |  |  |
| 2  | Toggle Switch       |  | P00033-01   | 1          |                 |  |  |  |  |  |  |  |  |
| 3  | Fuse Holder         |  | P00014-01   | 1          |                 |  |  |  |  |  |  |  |  |
| 4  | Fuse                | 5A, 250VAC   | P01143-01   | 1          |                 |  |  |  |  |  |  |  |  |
| 5  | Power Relay         | 30A  | 449000-01   | 1          |                 |  |  |  |  |  |  |  |  |
| 6  | Start Capacitor     | <b>KM-116BAJ,</b><br><b>KM-161BAJ</b><br>100MFD,<br>160VAC | 4Y1175-01   | 1          |                 |  |  |  |  |  |  |  |  |
| 7  | Control Transformer |  | 3A4395-01   | 1          |                 |  |  |  |  |  |  |  |  |

## E. Accessories & Labels

### KM-81BAJ, KM-116BAJ, KM-161B\_J

J-0 to L-0



| Title: E. Accessories & Labels Model: KM-81BAJ, KM-116BAJ, KM-161BAJ |               |                          |             |            |                 |  |  |  |  |  |
|--|---------------|--------------------------|-------------|------------|-----------------|--|--|--|--|--|
| Index No.  | Description   | Material or Model Number | Part Number | J-0 to L-0 | Required Number |  |  |  |  |  |
|  |               |                          |             |            |                 |  |  |  |  |  |
| 1  | Penguin Label |                          | 475552L02   | 1          |                 |  |  |  |  |  |
| 2  | Leg           |                          | 4A2525-01   | 4          |                 |  |  |  |  |  |
| 3  | Scoop         |                          | 1H4123P02   | 1          |                 |  |  |  |  |  |