

hatcorp.com

Register Online!
(see page 2)

S'inscrire en ligne!
(voir page 19)

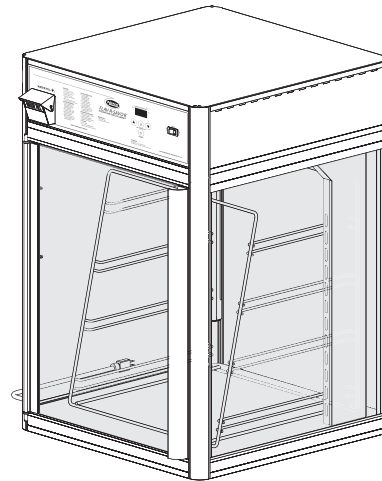
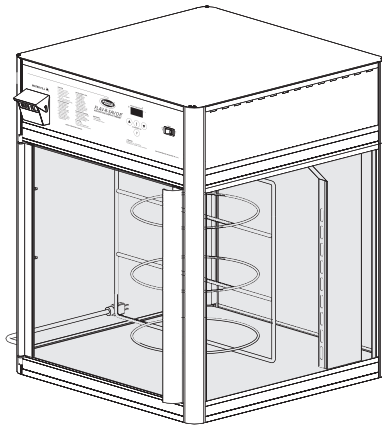


Flav-R-Savor[®]

Humidified Holding and Display Cabinets
Armoires d'exposition et de conservation
avec ajout d'humidité

FSD and FSDT Series/Série

Installation and Operating Manual
Manuel d'installation et d'utilisation



⚠ WARNING

Do not operate this equipment unless you have read and understood the contents of this manual! Failure to follow the instructions contained in this manual may result in serious injury or death. This manual contains important safety information concerning the maintenance, use, and operation of this product. If you're unable to understand the contents of this manual, please bring it to the attention of your supervisor. Keep this manual in a safe location for future reference.

English = p 2

⚠ ADVERTENCIA

No opere este equipo al menos que haya leído y comprendido el contenido de este manual! Cualquier falla en el seguimiento de las instrucciones contenidas en este manual puede resultar en un serio lesión o muerte. Este manual contiene importante información sobre seguridad concerniente al mantenimiento, uso y operación de este producto. Si usted no puede entender el contenido de este manual por favor pregunte a su supervisor. Almacenar este manual en una localización segura para la referencia futura.

⚠ AVERTISSEMENT

Ne pas utiliser cet équipement sans avoir lu et compris le contenu de ce manuel ! Le non-respect des instructions contenues dans ce manuel peut entraîner de graves blessures ou la mort. Ce manuel contient des informations importantes concernant l'entretien, l'utilisation et le fonctionnement de ce produit. Si vous ne comprenez pas le contenu de ce manuel, veuillez le signaler à votre supérieur. Conservez ce manuel dans un endroit sûr pour pouvoir vous y référer plus tard.

Français = p 19

Important Owner Information.....2
Introduction.....2
Important Safety Information3
Model Description4
Model Designation4
Specifications5
 Dimensions.....5
 Plug Configurations5
 Electrical Rating Chart.....6
Installation.....7
 General.....7
 Reversing the Access Door.....8
 Relocating the Proximity Switch.....9
Operation.....10
 General.....10
 Setting the Air Temperature.....11
 Setting the Humidity Level.....11
 Food Holding Guide11

Maintenance.....12
 General.....12
 Daily Cleaning12
 Removing the Rotating Rack.....12
 Removing the Glass Panels.....12
 Draining the Water Reservoir.....13
 Removing Lime and Mineral Deposits13
 Replacing an LED Light Strip.....13
 Setting the De-Liming Detection Mode14
Troubleshooting Guide14
 Error Codes15
Options and Accessories15
Limited Warranty18
Authorized Parts Distributors Back Cover

IMPORTANT OWNER INFORMATION

Record the model number, serial number, voltage, and purchase date of the unit in the spaces below (specification label located on the ceiling sheet inside the unit). Please have this information available when calling Hatco for service assistance.

Model No. _____
Serial No. _____
Voltage _____
Date of Purchase _____

Register your unit!

Completing online warranty registration will prevent delay in obtaining warranty coverage. Access the Hatco website at **www.hatcocorp.com**, select the *Support* pull-down menu, and click on "Warranty".

Business Hours: 7:00 AM to 5:00 PM Monday–Friday, Central Time (CT)
(Summer Hours — June to September:
7:00 AM to 5:00 PM Monday–Thursday
7:00 AM to 4:00 PM Friday)

Telephone: 800-558-0607; 414-671-6350
E-mail: support@hatcocorp.com



24 Hour 7 Day Parts and Service Assistance available in the United States and Canada by calling 800-558-0607.

Additional information can be found by visiting our web site at **www.hatcocorp.com**.

INTRODUCTION

Hatco Flav-R-Savor® Humidified Holding and Display Cabinets are designed to hold prepared foods for prolonged periods of time while maintaining that "just-made" quality. Hatco Humidified Holding and Display Cabinets provide the best environment for food products by regulating the air temperature while at the same time balancing the humidity level. The use of controlled moisturized heat maintains serving temperature and texture longer than conventional dry holding equipment.

Flav-R-Savor air flow pattern is designed to maintain consistent cabinet temperature without drying out foods. The precise combination of heat and humidity creates a "blanket" effect around the food. The air flow rate enables the cabinet to recover temperature rapidly after opening and closing the door.

Hatco Humidified Holding and Display Cabinets are products of extensive research and field testing. The materials used were selected for maximum durability, attractive appearance and optimum performance. Every unit is inspected and tested thoroughly prior to shipment.

This manual provides installation, safety, and operating instructions for Hatco Humidified Holding and Display Cabinets. Hatco recommends all installation, operating, and safety instructions appearing in this manual be read prior to installation or operation of a unit.

Safety information that appears in this manual is identified by the following signal word panels:



WARNING indicates a hazardous situation which, if not avoided, could result in death or serious injury.



CAUTION indicates a hazardous situation which, if not avoided, could result in minor or moderate injury.



NOTICE is used to address practices not related to personal injury.



Read the following important safety information before using this equipment to avoid serious injury or death and to avoid damage to equipment or property.

WARNING

ELECTRIC SHOCK HAZARD:

- Plug unit into a properly grounded electrical receptacle of the correct voltage, size, and plug configuration. If plug and receptacle do not match, contact a qualified electrician to determine and install proper voltage and size electrical receptacle.
- Turn OFF power switch, unplug power cord, and allow unit to cool before performing any cleaning, adjustments, or maintenance.
- DO NOT submerge or saturate with water. Unit is not waterproof. Do not operate if unit has been submerged or saturated with water.
- Unit is not weatherproof. Locate unit indoors where ambient air temperature is a minimum of 70°F (21°C).
- Do not steam clean or use excessive water on unit.
- Do not overfill water reservoir. Overfilling can cause electrical shock. Water reservoir is full when “LO H2O” stops flashing on CABINET TEMPERATURE display. Stop filling when “LO H2O” stops flashing on display.
- Turn OFF power switch and allow unit to cool before draining water reservoir.
- Do not pull unit by power cord.
- Discontinue use if power cord is frayed or worn.
- Do not attempt to repair or replace a damaged power cord. The cord must be replaced by Hatco, an Authorized Hatco Service Agent, or a person with similar qualifications.
- This unit must be serviced by qualified personnel only. Service by unqualified personnel may lead to electric shock or burn.
- Use only Genuine Hatco Replacement Parts when service is required. Failure to use Genuine Hatco Replacement Parts may subject operators of the equipment to hazardous electrical voltage, resulting in electrical shock or burn. Genuine Hatco Replacement Parts are specified to operate safely in the environments in which they are used. Some aftermarket or generic replacement parts do not have the characteristics that will allow them to operate safely in Hatco equipment.

FIRE HAZARD: Locate unit a minimum of 1” (25 mm) from combustible walls and materials. If safe distances are not maintained, discoloration or combustion could occur.

Make sure food product has been heated to the proper food-safe temperature before placing in unit. Failure to heat food product properly may result in serious health risks. This unit is for holding pre-heated food product only.

WARNING

This unit is not intended for use by children or persons with reduced physical, sensory, or mental capabilities. Ensure proper supervision of children and keep them away from the unit.

Make sure all operators have been instructed on the safe and proper use of the unit.

Hatco is not responsible for the actual food product serving temperature. It is the responsibility of the user to ensure that the food product is held and served at a safe temperature.

This unit has no “user-serviceable” parts. If service is required on this unit, contact an Authorized Hatco Service Agent or contact the Hatco Service Department at 800-558-0607 or 414-671-6350.

CAUTION

BURN HAZARD: Some exterior surfaces on the unit will get hot. Use caution when touching these areas.

Locate unit at the proper counter height in an area that is convenient for use. The location should be level to prevent the unit or its contents from falling accidentally and strong enough to support the weight of the unit and contents.

The National Sanitation Foundation (NSF) requires that units over 36” (914 mm) in width or weighing more than 80 lbs. (36 kg) either be sealed to or raised above the installation surface. If unit cannot be sealed at the point of use, 4” (102 mm) legs are available to allow for proper cleaning access below unit.

Transport unit in upright position only. Before moving or tipping unit, secure all glass surfaces with tape and drain water from water reservoir. Failure to do so may result in damage to unit or personal injury.

NOTICE

Use of distilled water in the water reservoir of humidified units is recommended to preserve the life of electrical and mechanical components. If non-distilled water is used, the reservoir will require periodic cleaning and deliming (refer to the MAINTENANCE section for cleaning procedure). Unit failure due to lime or mineral deposits is not covered under warranty.

Do not use deionized water. Deionized water will shorten the life of the water reservoir and heating element.

Use non-abrasive cleaners and cloths only. Abrasive cleaners and cloths could scratch finish of unit, marring its appearance and making it susceptible to soil accumulation.

Do not locate unit in area with excessive air movement around unit. Avoid areas that may be subject to active air movements or currents (i.e., near exhaust fans/hoods, air conditioning ducts, and exterior doors).

Clean unit daily to avoid malfunctions and maintain sanitary operation.

All Models

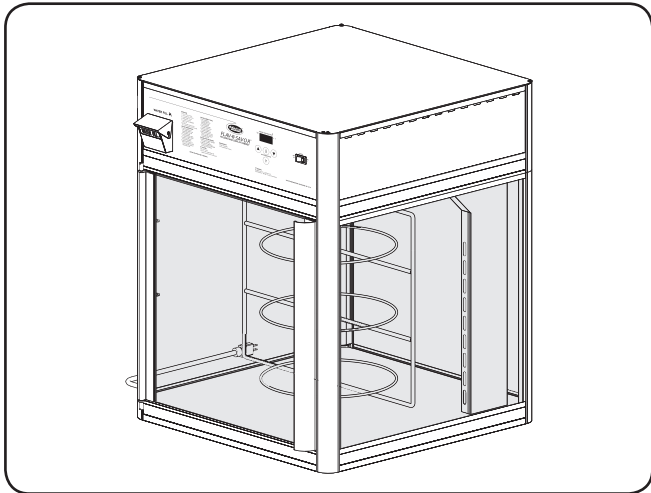
Flav-R-Savor® Humidified Holding and Display Cabinets come in either brushed aluminum or painted *Designer* colors. All units feature a digital temperature controller, air heating system, LED lights, tempered glass side panels, and a tempered glass door(s). Units can be configured with or without a humidity system with low water control protection. The standard access door can be hinged left or right. The cabinet interior top and bottom is made of easy-to-clean stainless steel. All available display racks are nickel-plated except the pretzel tree display rack, which is stainless steel. There are revolving and stationary rack options that hold three to seven display trays.

FSD-1 and FSDT-1 Models

The FSD-1 is a standard single door model with a revolving display motor. It has revolving and stationary rack options that hold three to five display trays.

The FSDT-1 is a single door model with a revolving display motor like the FSD-1, but is 5" (127 mm) taller.

On each model, the rotating rack stops automatically when the door is opened. For details on different rack options, refer to the **OPTIONS AND ACCESSORIES** section.



FSD-1 Model

NOTE: Models FSD-1 and FSDT-1 cannot be converted to models FSD-2/FSDT-2 or FSD-2X/FSDT-2X.

FSD-2 and FSDT-2 Models

The FSD-2 and FSDT-2 are the same as models FSD-1 and FSDT-1, but have an additional door on the opposite side of the controls for pass-through convenience.

FSD-1X and FSDT-1X Models

The FSD-1X is a single door model with a stationary rack that holds three display trays.

The FSDT-1X is a single door model with a stationary rack that holds four display trays, but is 5" (127 mm) taller.

For details on different rack options, refer to the **OPTIONS AND ACCESSORIES** section.



FSDT-1X Model

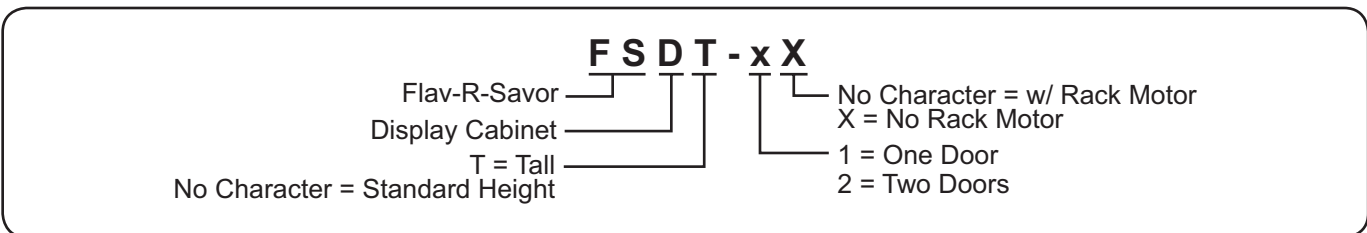
NOTE: Models FSD-1X and FSDT-1X cannot be converted to models FSD-1/FSDT-1, FSD-2/FSDT-2, or FSD-2X/FSDT-2X.

Models FSD-2X and FSDT-2X

The FSD-2X and FSDT-2X are the same as models FSD-1X and FSDT-1X, but have an additional door on the opposite side of the controls for pass-through convenience.

NOTE: Models FSD-2X and FSDT-2X cannot be converted to models FSD-2/FSDT-2.

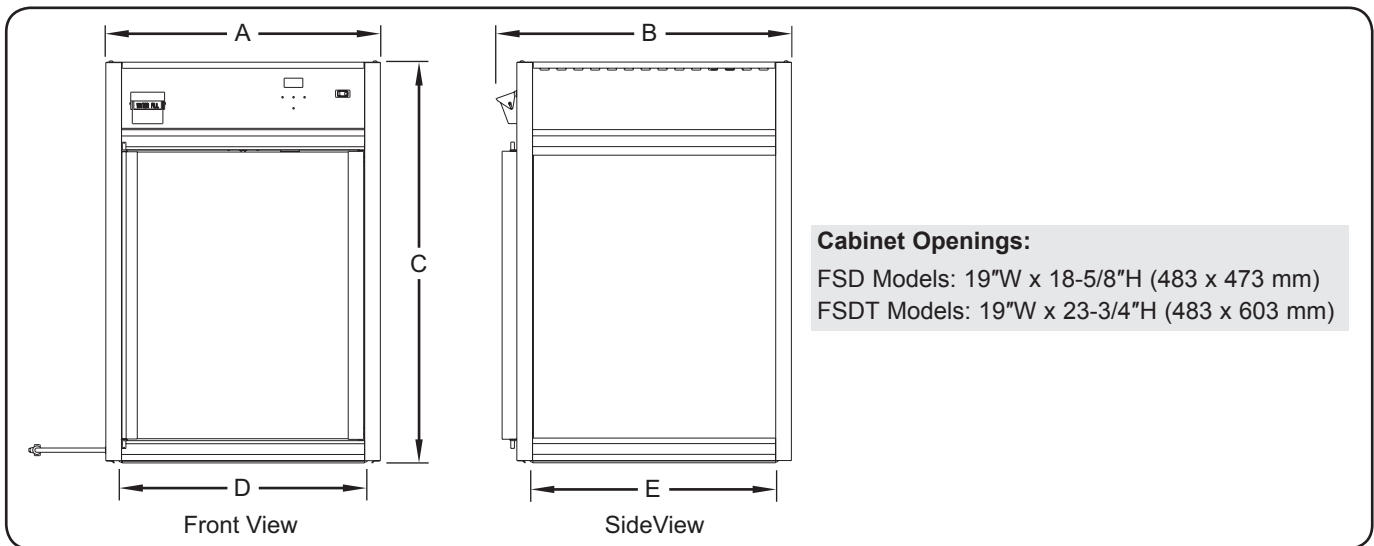
MODEL DESIGNATION



Dimensions

Model	Width (A)	Depth (B)	Height (C)*	Footprint Width (D)	Footprint Depth (E)
FSD-1	22-1/2" (569 mm)	24-1/8" (612 mm)	27-9/16" (699 mm)	19-15/16" (506 mm)	20" (508 mm)
FSD-1X					
FSD-2	22-1/2" (569 mm)	25-3/8" (644 mm)	27-9/16" (699 mm)	19-15/16" (506 mm)	20" (508 mm)
FSD-2X					
FSDT-1	22-1/2" (569 mm)	24-1/8" (612 mm)	32-9/16" (826 mm)	19-15/16" (506 mm)	20" (508 mm)
FSDT-1X					
FSDT-2	22-1/2" (569 mm)	25-3/8" (644 mm)	32-9/16" (826 mm)	19-15/16" (506 mm)	20" (508 mm)
FSDT-2X					

* Add 4" (102 mm) to the height of the unit if the 4" leg option is installed.



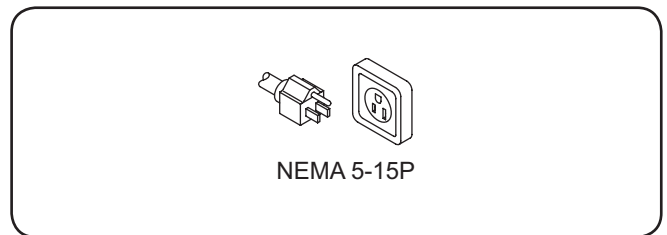
Plug Configurations

Units are supplied from the factory with an electrical cord and plug installed. Plugs are supplied according to the applications.



ELECTRIC SHOCK HAZARD: Plug unit into a properly grounded electrical receptacle of the correct voltage, size, and plug configuration. If plug and receptacle do not match, contact a qualified electrician to determine and install proper voltage and size electrical receptacle.

NOTE: The specification label is located on the ceiling sheet inside the unit. See label for serial number and verification of unit electrical information.



NEMA 5-15P

Plug Configurations

NOTE: Receptacle not supplied by Hatco.

Electrical Rating Chart — FSD Models

Model	Voltage	Hertz	Watts	Amps	Plug Configuration	Shipping Weight
FSD-1 (with humidity)	120	60	1414	11.8	NEMA 5-15P	113 lbs. (51 kg)
FSD-1 (no humidity)			1089	9.1		
FSD-1X (with humidity)	120	60	1414	11.8	NEMA 5-15P	111 lbs. (50 kg)
FSD-1X (no humidity)			1089	9.1		
FSD-2 (with humidity)	120	60	1414	11.8	NEMA 5-15P	114 lbs. (52 kg)
FSD-2 (no humidity)			1089	9.1		
FSD-2X (with humidity)	120	60	1414	11.8	NEMA 5-15P	112 lbs. (51 kg)
FSD-2X (no humidity)			1089	9.1		

Electrical Rating Chart — FSDT Models

Model	Voltage	Hertz	Watts	Amps	Plug Configuration	Shipping Weight
FSDT-1 (with humidity)	120	60	1414	11.8	NEMA 5-15P	120 lbs. (54 kg)
FSDT-1 (no humidity)			1089	9.1		
FSDT-1X (with humidity)	120	60	1414	11.8	NEMA 5-15P	118 lbs. (51 kg)
FSDT-1X (no humidity)			1089	9.1		
FSDT-2 (with humidity)	120	60	1414	11.8	NEMA 5-15P	122 lbs. (55 kg)
FSDT-2 (no humidity)			1089	9.1		
FSDT-2X (with humidity)	120	60	1414	11.8	NEMA 5-15P	120 lbs. (54 kg)
FSDT-2X (no humidity)			1089	9.1		

NOTE: Shipping weight includes packaging.

General

Flav-R-Savor® Humidified Holding and Display Cabinets are shipped with most components installed and ready for operation. The following installation instructions must be performed before plugging in and operating the cabinet.

⚠ WARNING

ELECTRIC SHOCK HAZARD: Unit is not weatherproof. Locate unit indoors where the ambient air temperature is a minimum of 70°F (21°C).

FIRE HAZARD: Locate unit a minimum of 1" (25 mm) from combustible walls and materials. If safe distances are not maintained, discoloration or combustion could occur.

⚠ CAUTION

Locate unit at the proper counter height in an area that is convenient for use. The location should be level to prevent the unit or its contents from falling accidentally and strong enough to support the weight of the unit and contents.

The National Sanitation Foundation (NSF) requires that units over 36" (914 mm) in width or weighing more than 80 lbs. (36 kg) either be sealed to or raised above the installation surface. If unit cannot be sealed at the point of use, 4" (102 mm) legs are available to allow for proper cleaning access below unit.

Transport unit in upright position only. Before moving or tipping unit, secure all glass surfaces with tape and drain water from water reservoir. Failure to do so may result in damage to unit or personal injury.

1. Remove the unit from the carton.

NOTE: To prevent delay in obtaining warranty coverage, complete online warranty registration. See the IMPORTANT OWNER INFORMATION section for details.

2. Remove tape and protective packaging from all surfaces of the unit, shelves, and any accessories.

- Floor Sheet — The stainless steel floor in all cabinets is protected during shipping with a sheet of corrugated cardboard. This protection must be removed prior to cabinet operation.
- Display Rack — The display rack has packing material and cardboard attached for protection during shipping. This protection must be removed prior to cabinet operation.
- Legs — The cabinets are shipped with four rubber feet attached to the bottom of the unit. For cabinets with the optional 4" (102 mm) adjustable legs, see the OPTIONS AND ACCESSORIES section for installation instructions.

NOTE: If installing 4" (102 mm) legs, do not remove glass protection until leg installation is complete.

- Glass Side Panels — The cabinets have tempered glass side panels that are protected during shipping using foam sheets along the glass edges and tape to hold the panels securely. The sheets and tape must be removed prior to cabinet operation.

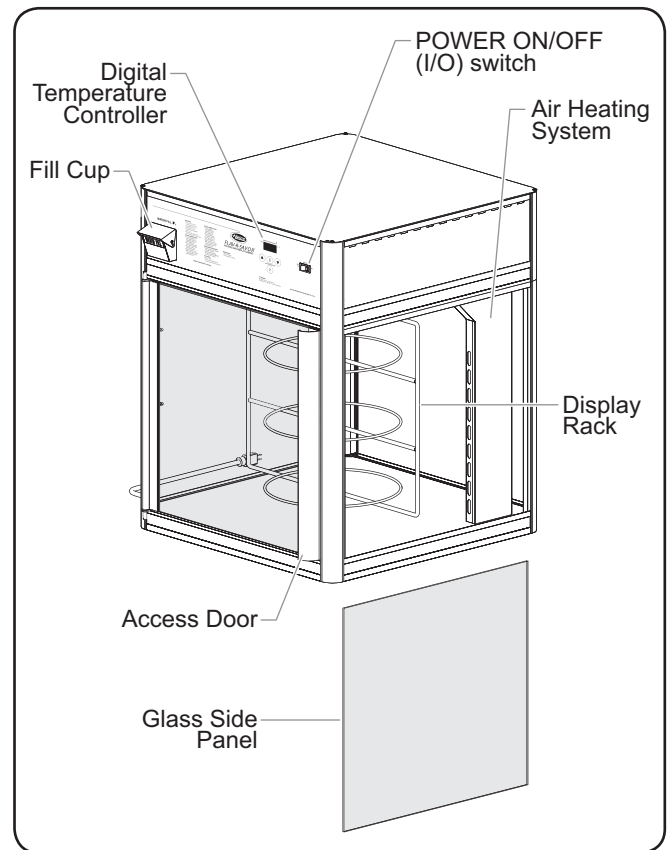
NOTE: Any impact to the tempered glass can cause breakage.

To remove a glass panel, grasp the panel firmly from inside and outside of the cabinet. Lift up and out of the bottom channel, then carefully lower the glass panel until it clears the upper channel.

To reinstall, position the glass panel top edge under the cabinet lip. Raise the panel until it clears the bottom channel, then carefully lower the panel until it rests in the bottom channel.

3. Place the unit in the desired location. Two people are required for this step.

- Locate the unit in an area where the ambient air temperature is constant and a minimum of 70°F (21°C). Avoid areas that may be subject to active air movements or currents (i.e., near exhaust fans/hoods, air conditioning ducts, and exterior doors).
- Make sure the unit is at the proper counter height in an area convenient for use.
- Make sure the countertop is level and strong enough to support the weight of the unit and food product.
- Make sure all the feet on the bottom of the unit are positioned securely on the countertop.



Components

Reversing the Access Door

Flav-R-Savor Humidified Holding and Display Cabinet access door(s) may be hinged on either the left or right side for convenience. Use the following procedure to reverse the access door.

NOTE: The last four digits in a ten digit numerical serial number are the manufacturing date code.

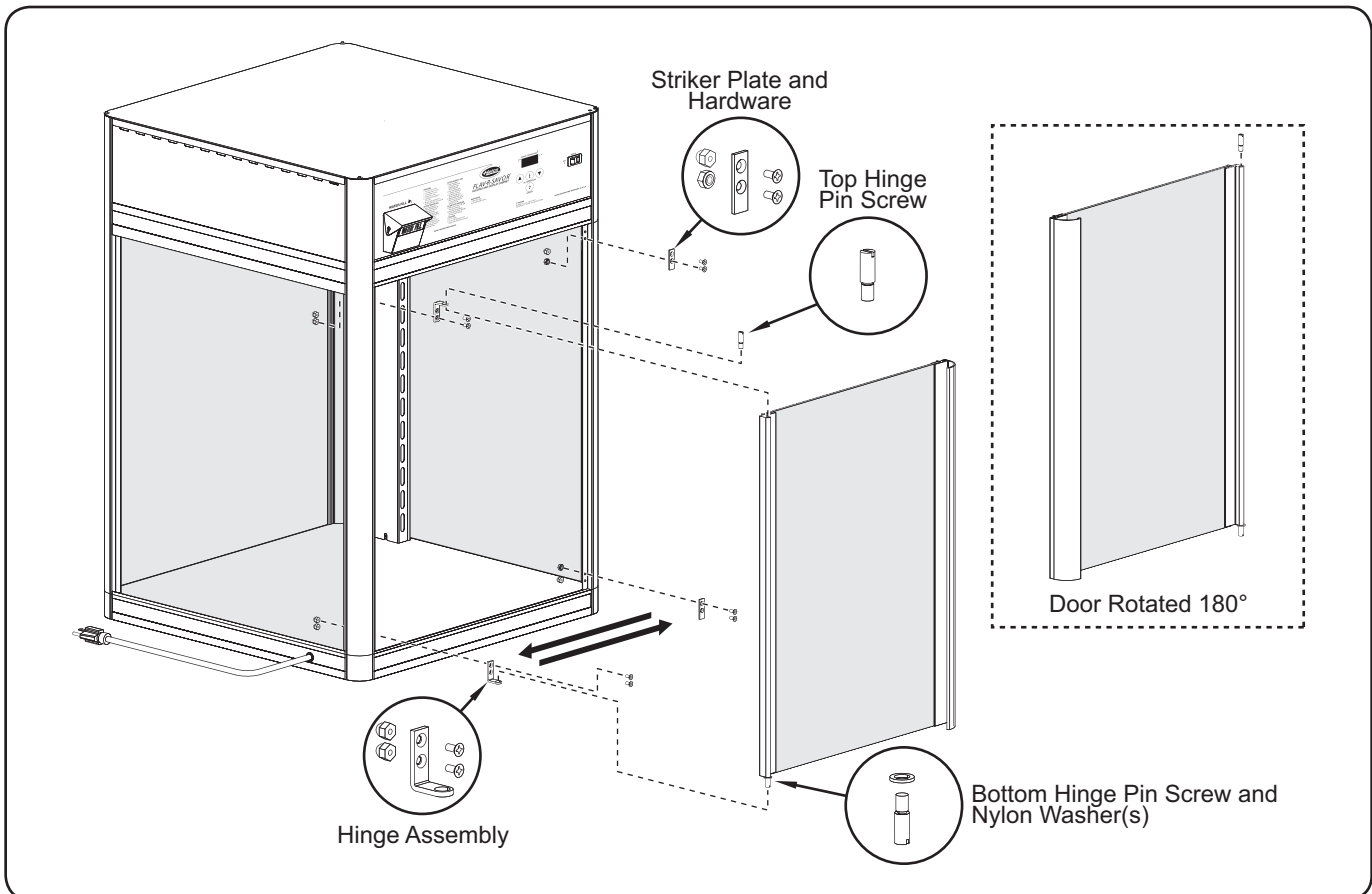
Example: Serial number 962506**1331** has a date code of "1331" which indicates: 1331

└─ Week Thirty-One
└─ Year 2013

NOTE: For models with a date code of 1829 or older and equipped with a motorized rotating rack (FSD-1, FSD-2, FSDT-1, and FSDT-2), the "Relocating the Proximity Switch" procedure in this section must be performed after reversing the access door(s).

1. Remove the top hinge pin screw holding the door to the hinge.
2. Tip the door assembly forward (away from cabinet) and lift gently to clear the bottom hinge assembly. Remove the nylon washer(s).
3. Reinstall the top hinge pin screw.

4. Remove the fluorescent lamp cover to allow access to the hinge bracket/striker plate hardware, if necessary.
5. Remove the screws holding the hinges to the cabinet.
6. Remove the screws from the striker plates on the non-hinge side of the cabinet.
7. Install the striker plates on the opposite side of the cabinet where the hinges were previously mounted.
8. Install the hinges on the opposite side of the cabinet where the striker plates were previously mounted using the original hinge mounting screws.
9. Replace the fluorescent lamp cover, if necessary.
10. Carefully rotate the door 180°.
11. Remove the hinge pin screw from the end that is now the top.
12. Carefully place the door assembly with the nylon washer(s) into the bottom hinge.
13. Tip/tilt the door assembly towards the cabinet and align the door top with the hinge. Reinstall the top door hinge pin screw through the hinge and into the door top.



Reversing the Access Door

Relocating the Proximity Switch (Rotating Rack Models Only)

Date Code 1829 or older

NOTE: The last four digits in a ten digit numerical serial number are the manufacturing date code.

Example: Serial number 962506**1331** has a date code of "1331" which indicates: 1331

└─ Week Thirty-One
└─ Year 2013

Units equipped with a rotating rack motor will require relocating the proximity switch(es) after reversing the door(s).

The proximity switch signals the rack motor to stop when a door is opened and to start when the door is closed. Follow the steps below to move the proximity switch(es) to the proper position after reversing the door(s). Unit requires one switch per door.

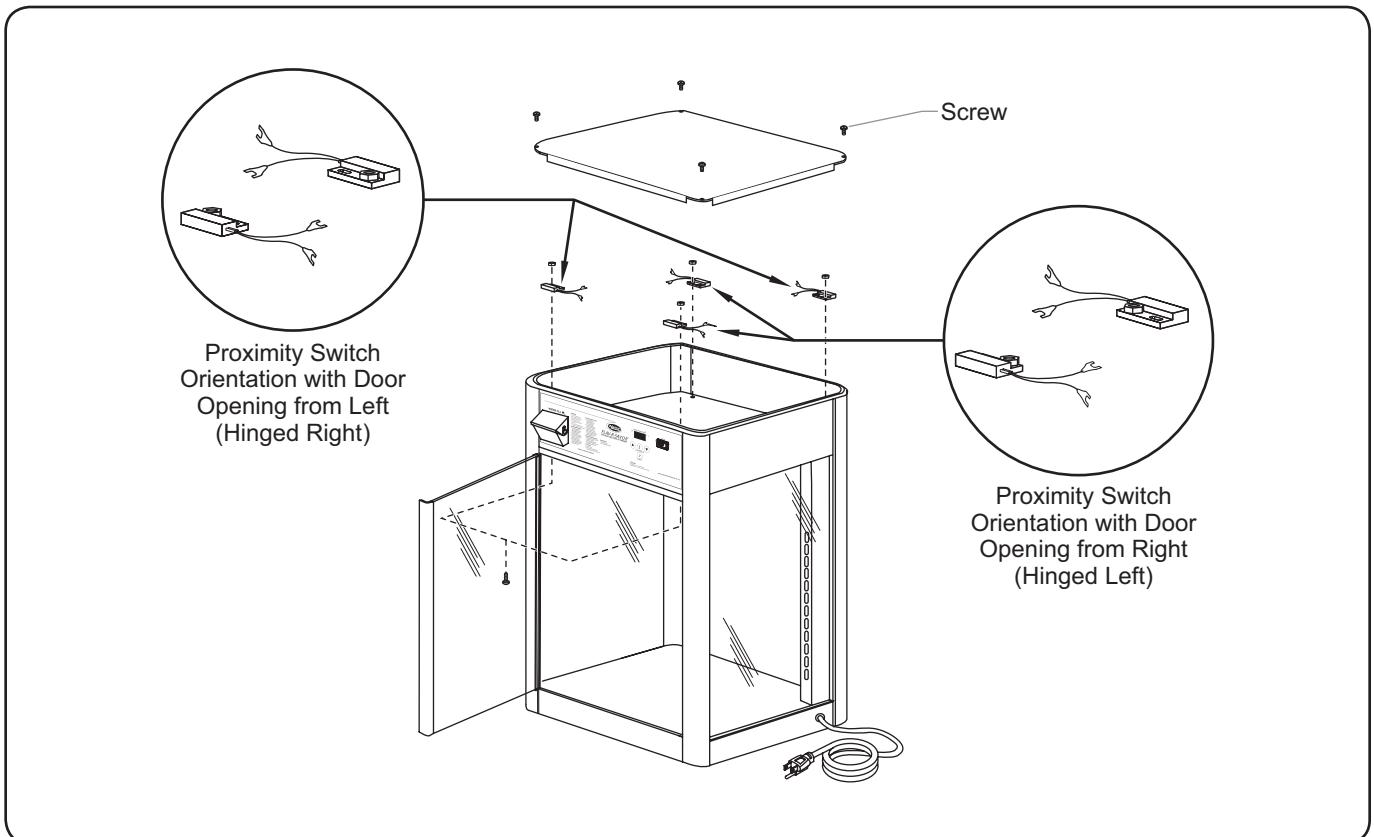
1. Turn off the unit, unplug the power cord, and allow the unit to cool.
2. Remove the four screws and top cover.
3. Remove the screw and nut securing the proximity switch to the cabinet ceiling sheet. The screw is accessed from inside the cabinet. Reinstall screw and nut into hole after removing switch.
4. Cut the cable tie securing the proximity switch wires to the wiring harness. Mark the two wires for reassembly and unplug the wires from the proximity switch wire leads. Route the wires to the opposite corner and reattach the wires to the switch wire leads.

NOTE: Make sure to install the proximity switch in the orientation shown below for the specific installation location. Incorrect orientation will result in malfunction of the proximity switch.

5. Remove the screw and nut from the new mounting hole. Secure the proximity switch to the mounting hole with the screw and nut. Make sure to maintain proper switch orientation when tightening the hardware.
6. Make sure wires do not interfere with the other components inside the cabinet, then secure switch wires to wiring harness with a cable tie (not supplied).

NOTE: On models equipped with two doors, it may be necessary to move the air chamber to access the proximity switch on the customer-side door. Drain all water from the unit, remove the drain plug from inside the cabinet, and remove the four screws securing the air chamber assembly to the cabinet. Carefully move the air chamber out of the way to access the proximity switch. Reassemble after relocating switch.

7. Install the top cover and four screws.
8. Plug the unit into the proper power source.
9. Turn on the unit and test the operation of the proximity switch(es) by making sure the rack rotates when the doors are closed and stops rotating when a door is opened.



Relocating the Proximity Switch

General

Use the following procedures to operate the Flav-R-Savor® Humidified Holding and Display Cabinets.



Read all safety messages in the IMPORTANT SAFETY INFORMATION section before operating this equipment.

Startup

1. Plug unit into a properly grounded electrical receptacle of the correct voltage, size and plug configuration. See the SPECIFICATIONS section for details.
2. Move the Power I/O (on/off) switch to the I (on) position.
 - The display lights will turn on and the heating system will start up.
 - The CABINET TEMPERATURE display will flash “LO H2O” four times and then flash the cabinet temperature. It will continue to alternate this way until the water reservoir is filled. Once the reservoir is full, “LO H2O” will stop flashing and the display will show the cabinet temperature.

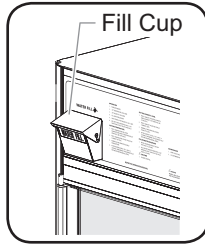


Use of distilled water in the water reservoir of humidified units is recommended to preserve the life of electrical and mechanical components. If non-distilled water is used, the reservoir will require periodic cleaning and deliming (refer to the MAINTENANCE section for cleaning procedure). Unit failure due to lime or mineral deposits is not covered under warranty.

Do not use deionized water. Deionized water will shorten the life of the water reservoir and heating element.

NOTE: Unit failure caused by deionized water is not covered by warranty.

3. Fill the water reservoir with clean water. To fill the reservoir:
 - a. Lift up the WATER FILL cup cover and pull forward.
 - b. Slowly pour water into the cup until “LO H2O” stops flashing on the cabinet temperature display.



IMPORTANT NOTE

When using distilled water, add one teaspoon (5 g) of salt to the water reservoir during the initial water fill only. This will ensure proper operation of the water level sensors.



ELECTRIC SHOCK HAZARD: Do not overfill water reservoir. Overfilling can cause electrical shock. Water reservoir is full when “LO H2O” stops flashing on CABINET TEMPERATURE display. Stop filling when “LO H2O” stops flashing on display.

NOTE: The capacity of the water reservoir is 3/4 gallon (2.8 l). On the initial fill, the water reservoir may take up to one gallon (3.8 l) of water.

4. Set the humidity to the desired level (refer to the “Setting the Humidity Level” procedure in this section). See the “Food Holding Guide” for recommendations.
5. Set the air temperature to the desired temperature (refer to the “Setting the Air Temperature” procedure in this section). See the “Food Holding Guide” for recommendations.
6. Allow the unit 30 minutes to reach operating temperature before loading the cabinet with pre-heated food product.



Make sure food product has been heated to the proper food-safe temperature before placing in unit. Failure to heat food product properly may result in serious health risks. This unit is for holding pre-heated food product only.

BURN HAZARD: Some exterior surfaces on the unit will get hot. Use caution when touching these areas.

WATER FILL

OPERATION

1. Turn on Power Switch.
2. Set Temperature Selector.
3. Set Humidity Selector.
4. Fill Water Reservoir.
5. Load food after HUMIDITY LED is off.
6. On units with rotating racks – do not turn display rack manually.

SETTING TEMPERATURE

1. Press Temperature to enter temperature mode (temperature set point will be displayed).
2. Press Temperature again to display current setting.
3. Arrow Up or Down to desired temperature.
4. After temperature is set – Wait 15 seconds for board to automatically return to operational mode.

SETTING HUMIDITY LEVEL

1. Press Humidity to enter humidity mode (humidity set point will be displayed).
2. Press Humidity again to display current level.
3. Arrow Up or Down to desired humidity level.
4. After humidity levels set – Wait 15 seconds for board to automatically return to operational mode.

FILLING WATER RESERVOIR

1. Self reservoir when “LO H2O” message is flashing.
2. Add water through Water Fill cup opening until “LO H2O” message stops flashing.

CAUTION

1. Do not overfill.
2. Cool to safe temperature and empty reservoir before moving unit.

FLAV-R-SAVOR®
HOLDING AND DISPLAY CABINET

CABINET TEMPERATURE

180 °F

AIR TEMPERATURE

HUMIDITY

POWER

OFF ON

MAINTENANCE

1. Wipe clean daily.
2. Use appropriate cleaners.




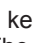
WARNING
Overfilling can cause electrical shock. Stop filling when “LO H2O” message stops flashing.

HATCO CORPORATION MILWAUKEE, WI U.S.A.





REFER TO OPERATOR'S MANUAL

FSD/FSDT Control Panel

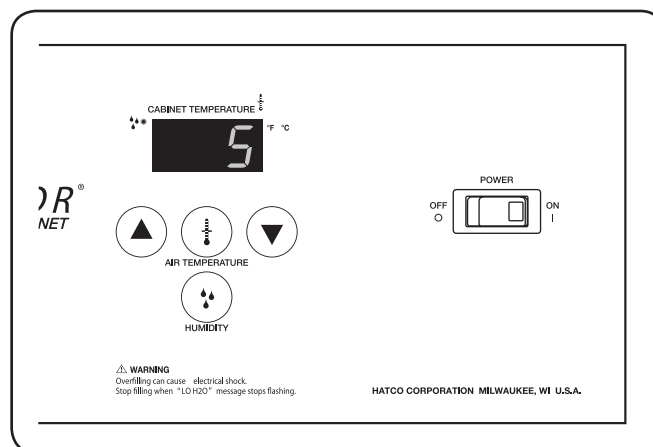
Setting the Air Temperature

1. Press the  key to enter temperature mode (“tSP” will appear on the cabinet temperature display).
2. Press the  key again to show the current temperature setting.
3. Press the  key or  key to reach the desired temperature. The temperature range is 80°–195°F (27°–91°C) in single degree increments. See the “Food Holding Guide” in this section for recommendations.
4. After the desired temperature is set, wait 15 seconds without pushing any keys for the cabinet temperature display to return automatically to operational mode.

Setting the Humidity Level

1. Press the  key to enter humidity mode (“hSP” will appear on the cabinet temperature display).
2. Press the  key again to show the current humidity level.
3. Press the  key or  key to reach the desired humidity level. Humidity range is 1 through 5 (1 is the lowest amount of humidity and 5 is the highest). See the “Food Holding Guide” in this section for recommendations.
4. After the desired humidity level is set, wait 15 seconds without pushing any keys for the cabinet temperature display to return automatically to operational mode.

NOTE: Temperature and humidity settings may vary depending upon product make-up and consistency. The CABINET TEMPERATURE display shows the lowest temperature point inside the cabinet, not the product temperature.



Setting the Humidity Level

The capacity of the water reservoir permits uninterrupted operation for approximately 4–8 hours, depending on the settings and how frequently the door is opened. When “LO H2O” is flashing on the CABINET TEMPERATURE display, add water to the reservoir. The water reservoir refill capacity is approximately 96 ounces, or 3 quarts (2.8 liters).

WARNING

ELECTRIC SHOCK HAZARD: Overfilling can cause electrical shock. Water reservoir is full when “LO H2O” stops flashing on CABINET TEMPERATURE display. Stop filling when “LO H2O” stops flashing on display.

Food Holding Guide

Type of Food	Maximum Holding Time	Humidity Setting	Temperature	
			°F	°C
Biscuits	2 Hours	3	130–140	55–60
Chicken Pieces (Fried)	4 Hours	5	175	80
Croissants	4 Hours	1	140	60
Fruit Pies	3-1/2 Hours	4	140	60
Onion Rings	1/2 to 1 Hour	1	175	80
Pizza — Thick Crust	1 Hour	4	185	85
Thin Crust	1 Hour	5	180	82
Pretzels	3 Hours	4	140	60
Wrapped Sandwiches	2 Hours	4	180	82

NOTE: All times and settings are recommendations only and may vary depending on product preparation, cooking time, and internal food temperature.

General

The Flav-R-Savor® Humidified Holding and Display Cabinets are designed for maximum durability and performance, with minimum maintenance.



ELECTRIC SHOCK HAZARD:

- Turn OFF power switch, unplug power cord, and allow unit to cool before performing any cleaning, adjustments, or maintenance.
- DO NOT submerge or saturate with water. Unit is not waterproof. Do not operate if unit has been submerged or saturated with water.
- Do not steam clean or use excessive water on unit.
- Use only Genuine Hatco Replacement Parts when service is required. Failure to use Genuine Hatco Replacement Parts may subject operators of the equipment to hazardous electrical voltage, resulting in electrical shock or burn. Genuine Hatco Replacement Parts are specified to operate safely in the environments in which they are used. Some aftermarket or generic replacement parts do not have the characteristics that will allow them to operate safely in Hatco equipment.

This unit has no “user-serviceable” parts. If service is required on this unit, contact an Authorized Hatco Service Agent or contact the Hatco Service Department at 800-558-0607 or 414-671-6350.

Daily Cleaning

To preserve the finish of the Flav-R-Savor Humidified Holding and Display Cabinets, perform the following cleaning procedure daily.



Use non-abrasive cleaners and cloths only. Abrasive cleaners and cloths could scratch finish of unit, marring its appearance and making it susceptible to soil accumulation.

1. Turn off the unit, unplug the power cord, and allow the unit to cool.
2. Remove and wash all food pans.
3. Wipe down all interior and exterior metal surfaces with a damp cloth. Stubborn stains may be removed with a good non-abrasive cleaner. Clean hard to reach areas using a small brush and mild soap.

NOTE: Both the rotating display rack and the stationary rack are removable for cleaning, if necessary. Refer to the “Removing the Rotating Rack” procedure in this section for removal.

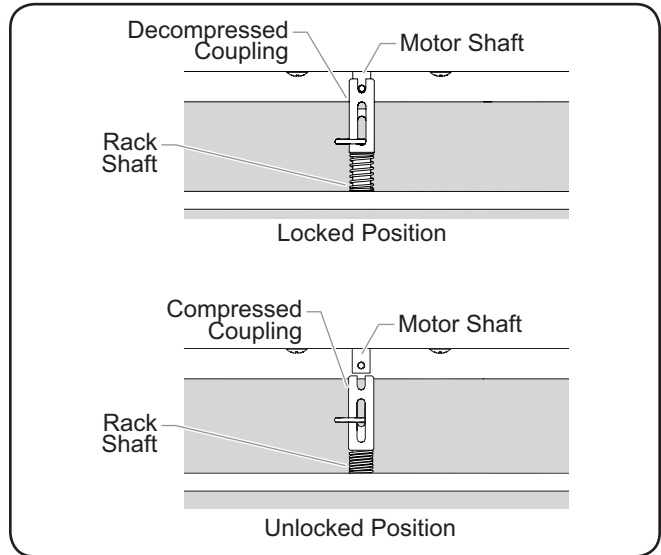
4. Clean the glass side panels and door panel(s) using ordinary glass cleaner and a damp, soft cloth or paper towel. The side panels are removable for detailed cleaning, if necessary. Refer to the “Removing the Glass Panels” procedure in this section for removal.

Removing the Rotating Rack

(Models FSD-1, FSDT-1, FSD-2, FSDT-2)

1. Open the front access door.
2. Pull down the spring-mounted coupling to compress.
3. Tip the rack until the rack shaft clears the motor shaft.

NOTE: Do not remove the bow cotter pin from the rack shaft.



Removing Motorized Display Racks

Replacing the Rotating Rack

1. Insert the rack into the cabinet and place the rack bottom point in the dimple located at the center of the cabinet floor.
2. Pull down the spring-mounted coupling to compress.
3. Tip the rack to line up the rack shaft with the motor shaft pin.
4. Decompress the spring-mounted coupling until the coupling is locked in place with the motor shaft pin.

Removing the Glass Panels

1. Lift the glass panel out of the bottom channel of the cabinet.
2. Pull the lower edge away from the cabinet.
3. Carefully lower the glass until the top clears the cabinet.

Replacing the Glass Panel

1. Position the glass panel with the top edge under the top cabinet lip, and raise the glass until it clears the bottom channel of the cabinet.
2. Move the bottom of the glass towards the cabinet until the glass rests against the cabinet frame.
3. Carefully lower the glass until it rests in the bottom channel of the cabinet.

Draining the Water Reservoir

The water reservoir in humidified units must be drained prior to moving the cabinet as well as during the “Removing Lime and Mineral Deposits” procedure.

⚠ WARNING

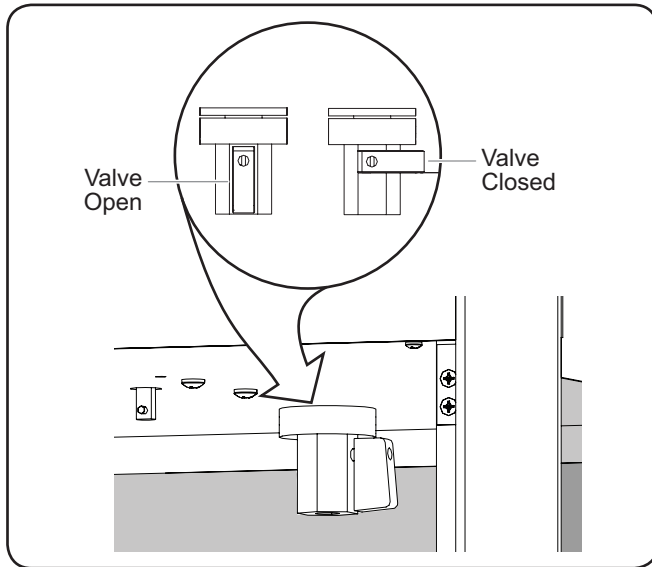
ELECTRIC SHOCK HAZARD: Turn OFF power switch, unplug power cord, and allow unit to cool before performing any cleaning, adjustments, or maintenance.

1. Turn off the unit, unplug the power cord, and allow the unit to cool.
2. Locate the valve inside the cabinet on the underside of the ceiling sheet.

⚠ CAUTION

BURN HAZARD: Ceiling sheet and water in reservoir are hot during operation. Allow to cool before draining.

3. Position a one gallon (four liter) container under the valve.
4. Turn the valve handle from the horizontal position (closed) to the vertical position (open) to drain the reservoir.
5. Once the reservoir is empty, return the valve handle to the closed position.



Draining Reservoir Valve

NOTE: If the water used has an excessive amount of lime or mineral content, follow the **REMOVING LIME AND MINERAL DEPOSITS** procedure for periodic cleaning and deliming of the water reservoir.

NOTE: Unit failure caused by liming or sediment buildup is not covered under warranty.

Removing Lime and Mineral Deposits

Use the following procedure for periodic cleaning and de-liming of the water reservoir in humidified units.

NOTE: The lime and mineral content of the water used for daily operation will determine how often the deliming procedure must be performed.

NOTE: Perform this procedure when the unit will not be used for a period of time, such as the end of the day.

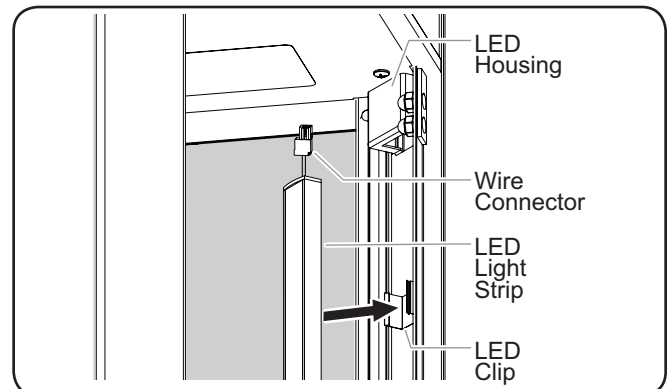
1. Turn off the unit, unplug the power cord, and allow the unit to cool.
2. After the unit has cooled down, perform the “Draining the Water Reservoir” procedure in this section.
3. Fill the water reservoir with a mixture of 75% water and 25% white vinegar. Do not use flavored vinegar.
4. Plug in and turn on the unit.
5. Set both the air temperature and humidity to their highest settings and allow the unit to run for 30 minutes.
6. Turn off the unit, unplug the power cord, and allow the unit to cool.
7. Perform the “Draining the Water Reservoir” procedure to empty the deliming solution from the water reservoir.
8. Continue to fill and drain the water reservoir with clean water until the deliming solution is rinsed through and the water discharge is clean.
9. Plug the unit into its power source and fill the reservoir as usual for daily operation using the procedure in the OPERATION section of this manual.

Replacing an LED Light Strip

Units are equipped with two LED light strips that illuminate the warming area. When replacing an LED light strip, use Hatco P/N 04.29.405.90.

Use the following procedure to replace an LED light strip.

1. Turn off the unit, unplug the power cord, and allow the unit to cool.
2. Pull the LED light strip from the clips securing it to the corner.
3. Pull the top of the LED strip down and out of the LED housing to expose the wire connectors.
4. Disconnect the wire connectors from the LED light strip being replaced.
5. Connect the wire connectors from the new LED light strip.
6. Push the wiring and the top of the LED light strip up into the LED housing.
7. Insert the LED light strip into the clips to secure it.



Replacing an LED Light Strip (Door Removed for Clarity)

Setting the De-Liming Detection Mode

When de-liming detection mode is enabled, the controller will indicate the presence of excessive lime build-up in humidified models by showing “DE-L” on the CABINET TEMPERATURE display. Use the following procedure to set de-liming detection mode “on” or “off.”

1. Press and hold either the ▲ key or ▼ key for four seconds.
 - When de-liming detection mode is enabled, the CABINET TEMPERATURE display shows “L-ON” for three seconds.
 - When de-liming detection mode is disabled, the CABINET TEMPERATURE display shows “L-OFF” for three seconds.

TROUBLESHOOTING GUIDE



WARNING

This unit must be serviced by trained and qualified personnel only. Service by unqualified personnel may lead to electric shock or burn.



WARNING

ELECTRIC SHOCK HAZARD: Turn OFF power switch, unplug power cord, and allow unit to cool before performing any cleaning, adjustments, or maintenance.

Symptom	Probable Cause	Corrective Action
LED lights not working.	Loose wire connection.	Verify wire connection is secure.
	LED driver defective.	Contact Authorized Service Agent or Hatco for assistance.
	LED light strip defective.	Replace the LED light strip. Refer to the “Replacing an LED Light Strip” in the MAINTENANCE section.
Unit operates, but is not circulating air inside cabinet.	Blower motor is defective.	Contact an Authorized Hatco Service Agent or Hatco for assistance.
	The correct voltage may not be supplied to blower.	
Unit is plugged in, but nothing works	No power to unit.	Check electrical receptacle and verify that power supply matches specifications on unit. If receptacle is not working, check circuit breaker and reset, or plug unit into a different known working receptacle.
	Power cord connections are loose or disconnected.	Contact an Authorized Hatco Service Agent or Hatco for assistance.
	Power cord is damaged.	
	Defective POWER ON/OFF (I/O) switch.	
Unit is operational, but rotating rack (if equipped) does not turn.	Proximity switch was not relocated after door reversal.	See “Relocating the Proximity Switch” in the INSTALLATION section of this manual.
	Proximity magnet or proximity switch not working properly.	Contact an Authorized Hatco Service Agent or Hatco for assistance.
	Incorrect voltage is supplied to rack motor.	
Unit is not producing any “hot air” inside cabinet.	Safety high-limit is tripped or open.	Contact an Authorized Hatco Service Agent or Hatco for assistance.
	Incorrect voltage supplied to heating element.	
	Blower motor is not working.	
	Air heating element is defective.	
Unit is heating, but is producing too much humidity inside the cabinet causing steam inside unit.	Humidity control is set too high.	Adjust the humidity control to a lower setting.
	Air temperature is set too low.	Adjust the temperature to a higher setting.
	Humidity control is defective.	Contact an Authorized Hatco Service Agent or Hatco for assistance.
Unit is heating, but is not producing humidity inside cabinet. “LO H2O” not flashing on display and unit is full of water.	Incorrect voltage supplied to water heating element or heating element is defective.	Contact an Authorized Hatco Service Agent or Hatco for assistance.
Unit is heating, but is not producing humidity inside cabinet. “LO H2O” flashes on display and unit is full of water.	When using distilled water, no minerals are being sensed by low water probe.	On initial fill, add one teaspoon of salt to the water reservoir.
	Low water protection system is malfunctioning.	Contact an Authorized Hatco Service Agent or Hatco for assistance.

Error Codes

The following error codes may appear on the digital display to indicate an error in the operating condition of the unit.

LO H2O = Low water probe does not detect water. Refill water reservoir — refer to instructions in OPERATION section of this manual.

E1 = Air temperature sensor malfunctioning. Contact an Authorized Hatco Service Agent or Hatco for assistance.

E2 = Humidity temperature sensor malfunctioning. Contact an Authorized Hatco Service Agent or Hatco for assistance.

dE-L = Water reservoir needs de-liming. Refer to the "Removing Lime and Mineral Deposits" procedure in the MAINTENANCE section of this manual to clean and de-lime the water reservoir. Refer to the "Setting the De-liming Detection Mode" procedure in the MAINTENANCE section of this manual to set the de-liming detection mode "on" or "off." Contact Authorized Service Agent or Hatco for assistance.

Troubleshooting Questions?

If you continue to have problems resolving an issue, please contact the nearest Authorized Hatco Service Agency or Hatco for assistance. To locate the nearest Service Agency, log onto the Hatco website at www.hatcocorp.com, select the *Support* pull-down menu, and click on "Find A Service Agent"; or contact the **Hatco Parts and Service Team** at:

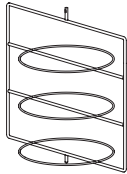
Telephone: 800-558-0607 or 414-671-6350

e-mail: support@hatcocorp.com

OPTIONS AND ACCESSORIES

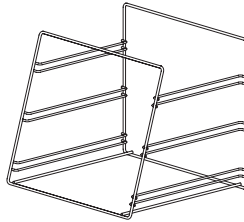
Display Racks for FSD

Several display racks are available to "customize" FSD models to specific foodservice operations.

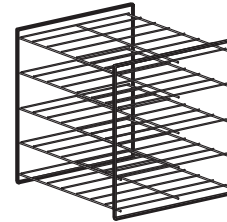


3-Tier Circle Rack*
Rack Openings: 4-5/8" (117 mm)

*Racks designed for use with motorized display.



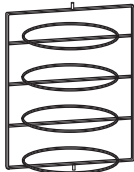
3-Tier Pan Rack
Rack Openings: 3-1/2" (89 mm)



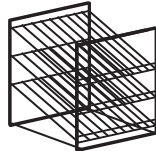
5-Shelf Multi-Purpose Rack
Shelf 1 Rack Opening: 2-1/2" (63 mm)
NOTE: Shelf 1 is the bottom shelf.
Shelves 2, 3, & 4 Rack Opening: 2-3/4" (69 mm)
Shelves 2, 3, & 4 are removable.

Display Racks for FSDT

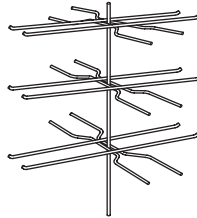
Several display racks are available to "customize" FSDT models to specific foodservice operations.



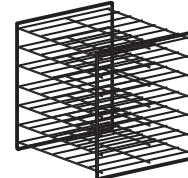
4-Tier Circle Rack*
Rack Openings:
4-5/8" (117 mm)



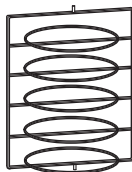
3-Shelf Angle Rack
Rack Openings: 3-1/2" (89 mm)
Middle shelf is removable.
Rack shelves slant at 15° angle.



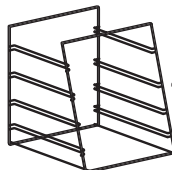
3-Tier Pretzel Tree*
Rack Openings:
5-7/8" (149 mm)



7-Shelf Multi-Purpose Rack
Shelves 1 & 5 Rack Opening:
2-1/2" (63 mm).
NOTE: Shelf 1 is the bottom shelf.
Shelves 2, 3, 4 & 6 Rack Openings:
2-3/4" (69 mm)
Shelves 2, 3, 4, 6, & 7 are removable.



5-Tier Circle Rack*
Rack Openings:
3-7/8" (98 mm)



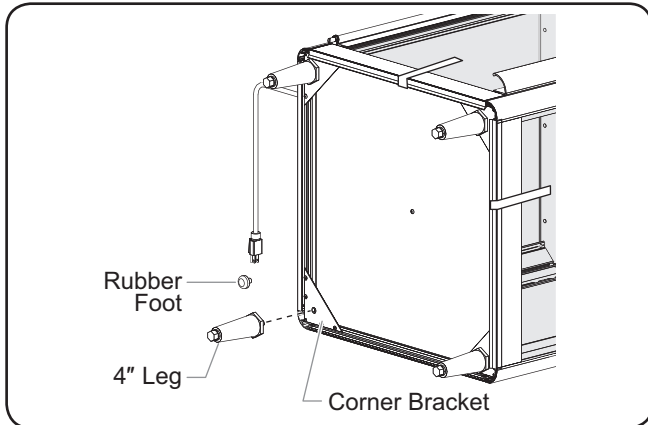
4-Tier Pan Rack
Rack Openings:
3-1/2" (89 mm)

*Racks designed for use with motorized display.

4" (102 mm) Adjustable Legs

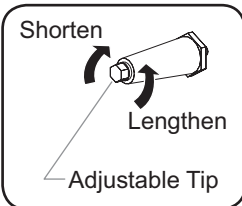
The 4" (102 mm) adjustable legs are used to add additional height to the unit.

1. Secure all glass sides and doors with tape. Lay the unit on its side. **NOTICE: Do not lay unit on side with control panel.**
2. Remove the four screw-type rubber feet from the corner brackets.



Installation of 4" (102 mm) Legs

3. Screw the 4" (102 mm) legs into the holes in the middle of each corner bracket. After all the legs are tightened, return the unit to its upright position. If the unit is not level or rocks, turn the adjustable tip of the appropriate leg to level the unit.

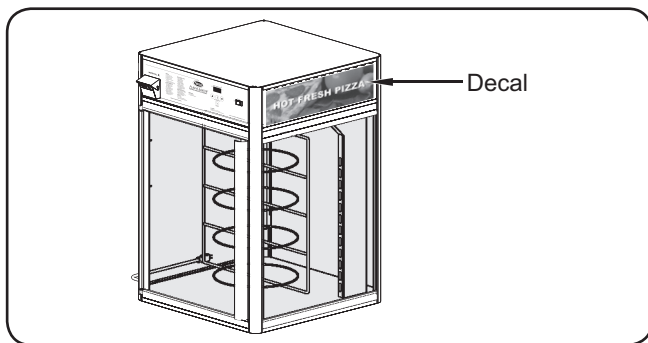


Merchandising Decal

Self-adhesive merchandising decals are available to promote food products. The decals are designed to be installed on three (3) sides of the cabinet above the glass panels.

Decal Installation

1. Before installing decals, clean the side panels with a non-oily cleaner, such as isopropyl alcohol (rubbing alcohol).
2. After the cleaned surfaces have dried, remove the protective backing from the decal and apply to the panel.
3. Any air pockets or bubbles behind the sticker can be removed by rubbing gently with a soft cloth from the center towards the outer edges.



Decal Installation

Decorative Kits

Several decorative kits are available for all FSD models. Installation instructions included with kits.

Top Cover Kits

Will hold a magnetic sign up to 23" (584 mm) x 5-7/8" (149 mm).

FSD-CTLH.....Curved Hinge Header, Control Side

FSD-CUSH.....Curved Header, Non-Control Side

Side Inset Kits

FSD-INSET1/FSDT-INSET1... Two Crescent Inset Panels

FSD-INSET2/FSDT-INSET2... Two Wave Inset Panels

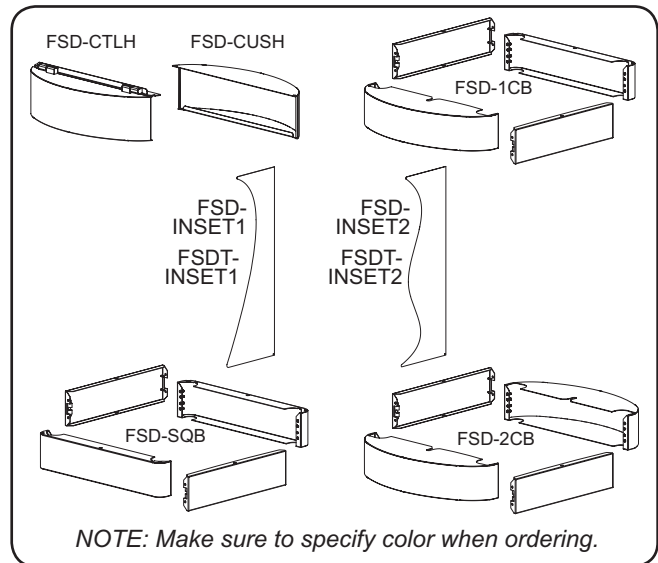
Base Skirt Kits (requires 4" [102 mm] legs, not included)

Will hold a magnetic sign up to 20" (508 mm) x 3-1/2" (89 mm).

FSD-SQB Flat Front, Back, and Side Panels

FSD-1CB Curved Front Panel, Flat Back Panel, and Flat Side Panels.

FSD-2CB Curved Front and Back Panels, Flat Side Panels



NOTE: Make sure to specify color when ordering.

Decorative Kits

Motorless Rack Coupling

The motorless rack coupling allows the stationary installation of a circle rack or pretzel tree in cabinets that do not have a rack motor (FSD-1X, FSDT-1X, FSD-2X, FSDT-2X).

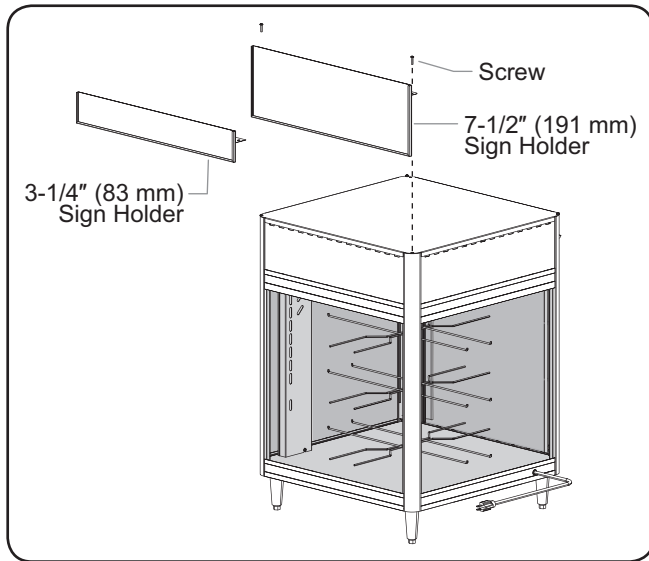
LED Lights

LED lights are available as accessories and come in two color output options: Warm White (standard) and Neutral White.

Merchandising Display Sign Holders

Merchandising Display Sign Holders are available in heights of 3-1/4" (83 mm) and 7-1/2" (191 mm). The sign holders include a metal holder and an acrylic window. Up to three sign holders can be installed on a unit, one per side (excluding the control side).

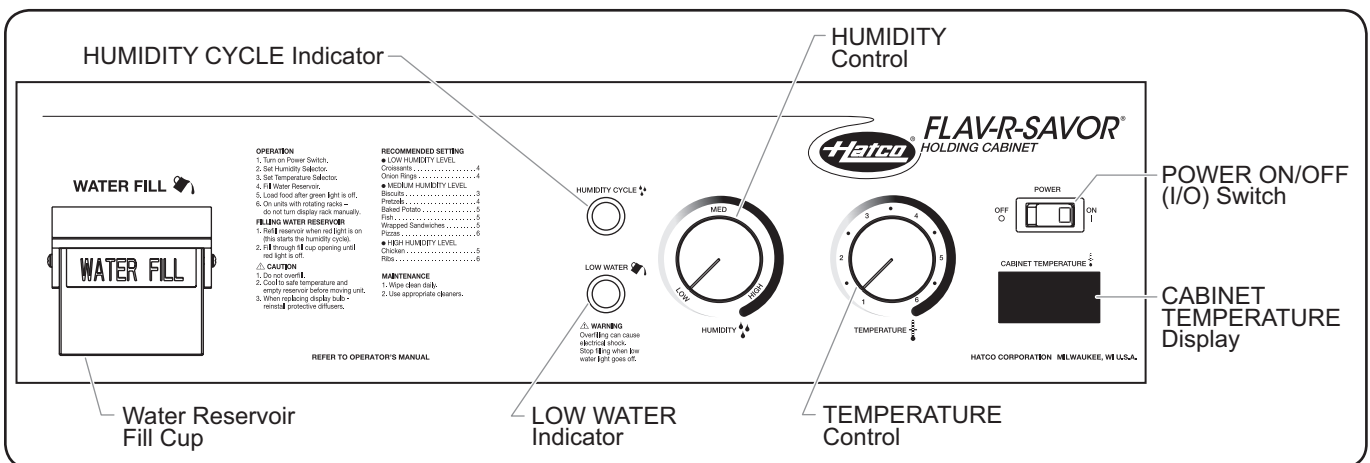
1. Remove the existing screws securing the top cover in place, position the sign holder over the screw holes, and reinstall the screws.
2. Place the printed sign in the holder and slide the protective acrylic window over the sign.



Merchandising Display Sign Holder
(3-1/2" [83 mm] height shown)

Mechanical Thermostat Control Panel

The Mechanical Thermostat Control Panel is an alternative to the digital control panel and features separate dials for controlling temperature and humidity. This is a factory-installed option and is not available for retrofit.



Mechanical Thermostat Control Panel

1. PRODUCT WARRANTY

Hatco warrants the products that it manufactures (the "Products") to be free from defects in materials and workmanship, under normal use and service, for a period of one (1) year from the date of purchase when installed and maintained in accordance with Hatco's written instructions or 18 months from the date of shipment from Hatco. Buyer must establish the Product's purchase date by registering the Product with Hatco or by other means satisfactory to Hatco in its sole discretion.

Hatco warrants the following Product components to be free from defects in materials and workmanship from the date of purchase (subject to the foregoing conditions) for the period(s) of time and on the conditions listed below:

a) One (1) Year Parts and Labor PLUS One (1) Additional Year Parts-Only Warranty:

- Conveyor Toaster Elements (metal sheathed)
- Drawer Warmer Elements (metal sheathed)
- Drawer Warmer Drawer Rollers and Slides
- Strip Heater Elements (metal sheathed)
- Display Warmer Elements (metal sheathed air heating)
- Holding Cabinet Elements (metal sheathed air heating)
- Heated Well Elements — HW and HWB Series (metal sheathed)

b) Two (2) Year Parts and Labor Warranty:

- Induction Ranges
- Induction Warmers

c) One (1) Year Parts and Labor PLUS Four (4) Years Parts-Only Warranty:

- 3CS and FR Tanks

d) One (1) Year Parts and Labor PLUS Nine (9) Years Parts-Only Warranty on:

- Electric Booster Heater Tanks
- Gas Booster Heater Tanks

e) Ninety (90) Day Parts-Only Warranty:

- Replacement Parts

THE FOREGOING WARRANTIES ARE EXCLUSIVE AND IN LIEU OF ANY OTHER WARRANTY, EXPRESSED OR IMPLIED, INCLUDING BUT NOT LIMITED TO ANY IMPLIED WARRANTY OF MERCHANTABILITY OR FITNESS FOR A PARTICULAR PURPOSE OR PATENT OR OTHER INTELLECTUAL PROPERTY RIGHT INFRINGEMENT. Without limiting the generality of the foregoing, SUCH WARRANTIES DO NOT COVER: Coated incandescent light bulbs, fluorescent lights, heat lamp bulbs, coated halogen light bulbs, halogen heat lamp bulbs, xenon light bulbs, LED light tubes, glass components, and fuses; Product failure in booster tank, fin tube heat exchanger, or other water heating equipment caused by liming, sediment buildup, chemical attack, or freezing; or Product misuse, tampering or misapplication, improper installation, or application of improper voltage.

2. LIMITATION OF REMEDIES AND DAMAGES

Hatco's liability and Buyer's exclusive remedy hereunder will be limited solely, at Hatco's option, to repair or replacement using new or refurbished parts or Product by Hatco or a Hatco-authorized service agency (other than where Buyer is located outside of the United States, Canada, United Kingdom, or Australia, in which case Hatco's liability and Buyer's exclusive remedy hereunder will be limited solely to replacement of part under warranty) with respect to any claim made within the applicable warranty period referred to above. Hatco reserves the right to accept or reject any such claim in whole or in part. In the context of this Limited Warranty, "refurbished" means a part or Product that has been returned to its original specifications by Hatco or a Hatco-authorized service agency. Hatco will not accept the return of any Product without prior written approval from Hatco, and all such approved returns shall be made at Buyer's sole expense. HATCO WILL NOT BE LIABLE, UNDER ANY CIRCUMSTANCES, FOR CONSEQUENTIAL OR INCIDENTAL DAMAGES, INCLUDING BUT NOT LIMITED TO LABOR COSTS OR LOST PROFITS RESULTING FROM THE USE OF OR INABILITY TO USE THE PRODUCTS OR FROM THE PRODUCTS BEING INCORPORATED IN OR BECOMING A COMPONENT OF ANY OTHER PRODUCT OR GOODS.

Informations Importantes pour le Propriétaire.....	19	Maintenance.....	30
Introduction.....	19	Généralités	30
Consignes de Sécurité Importantes	20	Nettoyage quotidien.....	30
Désignation du Modèle.....	21	Retrait du présentoir rotatif.....	30
Description du Modèle.....	22	Retrait des panneaux en verre.....	30
Caractéristiques Techniques	23	Vidange du réservoir d'eau	31
Dimensions.....	23	Élimination des dépôts de tartre et de calcaire.....	31
Configuration des Fiches.....	23	Remplacer une bande lumineuse DEL.....	32
Tableau des valeurs nominales électriques	24	Réglage du mode de détection de détartage.....	32
Installation.....	25	Guide de Dépannage.....	33
Généralités	25	Codes d'erreur.....	34
Inversion de la porte d'accès	26	Options et accessoires	34
Déplacement du commutateur de proximité	27	Garantie Limitée	37
Mode d'emploi	28	Distributeurs de pièces autorisés	Couverture Arrière
Généralités	28		
Réglage de la température de l'air.....	29		
Réglage du taux d'humidité.....	29		
Guide de maintien au chaud des aliments.....	29		

INFORMATIONS IMPORTANTES POUR LE PROPRIÉTAIRE

Notez le numéro de modèle, le numéro de série, la tension et la date d'achat de l'appareil dans les espaces ci-dessous (L'étiquette des caractéristiques techniques se situe sur le plafond à l'intérieur de l'appareil). Veuillez avoir cette information à portée de la main si vous appelez Hatco pour assistance.

Modèle No. _____

Numéro de série _____

Voltage _____

Date d'achat _____

Enregistrez votre appareil!

Remplissez la garantie en ligne pour éviter les retards pour faire jouer la garantie. Accédez au site Web Hatco www.hatcocorp.com, sélectionnez le menu déroulant *Support (Assistance)*, puis cliquez sur « Warranty » (Garantie).

Horaires

ouvrables : 7h00 à 17h00 du lundi au vendredi
Heure du Centre (CT)
(Horaires d'été—juin à septembre:
7h00 à 17h00 du lundi au jeudi
7h00 à 16h00 le vendredi)

Téléphone: 800-558-0607; 414-671-6350

Courriel: support@hatcocorp.com



Service d'assistance et de pièces de rechange disponible 7j/7, 24h/24 aux États-Unis et au Canada en composant le 800-558-0607.

Des renseignements supplémentaires sont disponibles sur notre site Web à www.hatcocorp.com.

INTRODUCTION

Les armoires de présentation chauffées et humides Flav-R-Savor® de Hatco sont conçues pour conserver des plats préparés pendant des périodes relativement longues, tout en maintenant leur fraîcheur intacte. Les armoires chauffées et humides de Hatco offrent le meilleur environnement pour conserver les produits alimentaires en réglant la température de l'air et en équilibrant en même temps le niveau d'humidité. L'utilisation d'une chaleur et d'une humidité contrôlées permet de maintenir la texture et la température de service plus longtemps que le matériel de conservation à sec traditionnel.

Le flux d'air circulant dans les appareils Flav-R-Savor est conçu pour maintenir une température constante dans l'armoire tout en évitant de dessécher les aliments. La combinaison de niveaux précis de température et d'humidité crée un effet de "couverture" autour des aliments. L'intensité du flux d'air permet à la température intérieure de l'armoire de se restabiliser rapidement après l'ouverture et la fermeture de la porte.

Les armoires de présentation chauffées et humides Hatco sont le fruit de recherches poussées et d'essais sur site complets. Les matériaux utilisés ont été sélectionnés pour un maximum de durabilité, d'aspect esthétique et de performance optimum. Chaque appareil est minutieusement inspecté et testé avant expédition.

Ce manuel fournit les instructions d'installation, les consignes de sécurité et le mode d'emploi des armoires de présentation chauffées et humides. Hatco vous recommande de lire l'ensemble des instructions d'installation, de sécurité et de fonctionnement contenues dans ce manuel avant d'installer et d'utiliser l'appareil.

Les consignes de sécurité qui apparaissent dans ce manuel sont identifiées par les mots indicateurs suivants :

⚠ AVERTISSEMENT

AVERTISSEMENT indique une situation dangereuse qui, si elle n'est pas évitée, peut provoquer la mort ou des blessures graves.

⚠ ATTENTION

ATTENTION indique une situation dangereuse qui, si elle n'est pas évitée, peut provoquer des blessures légères ou moyennes.

AVIS

AVIS est utilisé pour des questions sans rapport avec des blessures corporelles.



Lisez l'information de sécurité importante suivante avant d'utiliser cet équipement pour éviter des dommages ou la mort sérieux et pour éviter d'endommager l'équipement ou la propriété.

⚠ AVERTISSEMENT

DANGER DE DÉCHARGE ÉLECTRIQUE :

- Brancher l'appareil sur une prise de courant avec terre de tension, de format et de configuration des broches corrects. Si la fiche et la prise ne se correspondent pas, s'adresser à un électricien qualifié pour déterminer et installer une prise de courant de format et de tension corrects.
- Éteignez l'appareil et débranchez le cordon d'alimentation de la prise secteur et laissez refroidir avant une maintenance ou un nettoyage.
- NE PAS immerger l'appareil ni le saturer d'eau. L'appareil n'est pas étanche à l'eau. Ne pas le faire fonctionner s'il a été immergé ou saturé d'eau.
- L'appareil n'est pas à l'épreuve des intempéries. Placer l'appareil à l'intérieur à une température ambiante de 21°C minimum.
- Cet appareil n'est pas étanche aux jets. Ne pas utiliser de jet sous pression pour nettoyer l'appareil.
- Ne pas tirer l'appareil par son cordon électrique.
- Ne pas utiliser l'appareil si le cordon est endommagé ou usé.
- Ne pas tenter de réparer ni de changer un cordon électrique endommagé. Ce cordon doit être changé par Hatco, par un réparateur Hatco agréé ou par une personne de qualifications comparables.
- Ne pas trop remplir le réservoir d'eau. Un remplissage excessif peut causer une électrocution. La réserve d'eau est pleine quand « LO H2O » cesse de clignoter sur l'affichage CABINET TEMPERATURE (température de l'armoire). Arrêtez de remplir quand « LO H2O » cesse de clignoter sur l'affichage.
- Couper l'alimentation et laisser l'appareil refroidir avant de vider l'eau du réservoir.
- Cet appareil doit uniquement être réparé par un personnel qualifié. Toute réparation par un personnel non qualifié peut entraîner une électrocution et des brûlures.
- Utilisez uniquement des pièces de rechange d'origine Hatco lorsque l'entretien est nécessaire. Utilisez des pièces détachées Hatco authentiques sous peine d'annuler toutes les garanties et d'exposer l'utilisateur à des tensions électriques dangereuses pouvant entraîner une électrocution ou des brûlures. Les pièces de rechange authentiques Hatco sont spécifiées pour fonctionner en toute sécurité dans les environnements dans lesquels elles sont utilisées. Certaines pièces de rechange génériques ou d'après-vente n'ont pas les caractéristiques qui leur permettent d'opérer en toute sécurité dans les équipements Hatco.

⚠ AVERTISSEMENT

DANGER D'INCENDIE : Placer l'appareil à un minimum de 25 mm des parois et matières combustibles. Si une distance sûre n'est pas maintenue, la chaleur peut provoquer une combustion ou une altération de couleur.

Cet appareil ne contient aucune pièce réparable par l'utilisateur. Si cet appareil doit être réparé, contacter un réparateur Hatco agréé ou le Service après-vente Hatco au +1 414-671-6350.

Cet appareil ne doit pas être utilisé par des enfants ou des personnes avec des capacités physiques, sensorielles ou mentales diminuées. Assurez-vous que les enfants sont bien surveillés et tenez-les à l'écart de l'appareil.

Assurez-vous que tous les opérateurs ont été formés à l'utilisation sûre et correcte de l'appareil.

S'assurer que le produit alimentaire a été chauffé à une température adaptée au maintien de sa salubrité avant de le mettre dans l'appareil sous peine de risques graves pour la santé. Cet appareil est destiné au maintien au chaud de produits alimentaires préchauffés uniquement.

Hatco n'est pas responsable de la température de service du produit alimentaire elle-même. Il incombe à l'utilisateur de s'assurer que le produit alimentaire est maintenu et servi à une température sûre.

⚠ ATTENTION

DANGER DE BRÛLURE : Certaines surfaces extérieures de l'appareil deviennent chaudes. Toucher ces zones de l'appareil avec précaution.

Placer l'appareil sur un plan de travail de hauteur correcte à un endroit qui convient pour son utilisation. Le support doit être de niveau pour éviter toute chute accidentelle du grille-pain ou de son contenu et suffisamment solide pour résister au poids de l'appareil et de son contenu.

La National Sanitation Foundation (NSF) exige que les appareils mesurant plus de 914 mm (36") de largeur et pesant plus de 36 kg (80 lbs.) soient hermétiquement fixés ou rehaussés sur la surface d'installation. Si vous ne pouvez pas fixer l'appareil à son endroit d'utilisation, montez-le sur les pieds de 102 mm (4") pour pouvoir facilement nettoyer en dessous.

Transporter l'appareil à la verticale seulement. Avant de déplacer ou basculer l'appareil, fixer toutes les surfaces en verre avec du ruban adhésif et vider l'eau du réservoir sous peine d'endommagement de l'appareil ou de blessures personnelles.

AVIS

L'emploi d'eau distillée dans le réservoir d'eau des modèles humides est recommandé pour préserver la durée de vie des composants électriques et mécaniques. Si de l'eau non distillée est utilisée, le réservoir exigera un nettoyage et un détartrage périodiques (pour la procédure de nettoyage, voir la section Maintenance). Les pannes d'appareil faute d'avoir enlevé le tartre ou les dépôts calcaires ne sont pas couvertes par la garantie.

Ne pas utiliser l'eau désionisée. L'eau désionisée raccourcira la durée de vie du réservoir d'eau et l'élément chauffant.

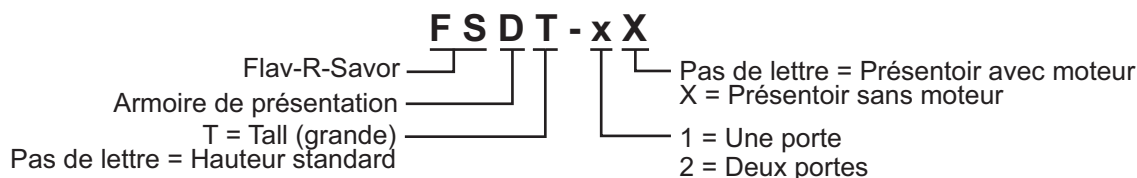
Nettoyer chaque jour l'appareil pour éviter les dysfonctionnements et maintenir l'hygiène.

AVIS

N'installez pas l'appareil dans un endroit présentant des déplacements d'air excessifs. Évitez les zones pouvant être soumises à des déplacements d'air ou à des courants d'air actifs (proximité de ventilateurs d'extraction/de hottes d'aspiration, de conduites de climatisation et de portes extérieures).

Utiliser uniquement des produits nettoyants non abrasifs. Les produits nettoyants abrasifs peuvent rayer la finition de l'appareil, ce qui altère son apparence et le rend plus susceptible d'accumuler la saleté.

DÉSIGNATION DU MODÈLE



Tous les Modèles

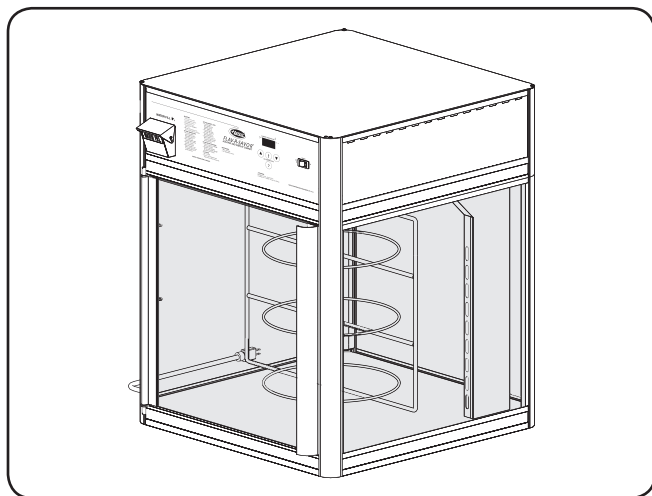
Les armoires de présentation chauffées et humides Flav-R-Savor® sont proposées en aluminium brossé ou en couleurs Designer peintes. Tous les appareils ont un régulateur thermique numérique, un système de chauffage de l'air, Lumières DEL, et des panneaux latéraux et une porte en verre trempé. Les appareils peuvent être configurés avec ou sans système d'humidification avec contrôle de bas niveau d'eau. La porte d'accès standard peut avoir ses charnières à gauche ou à droite. Le haut et le bas de l'intérieur de l'armoire sont en inox facile à nettoyer. Tous les présentoirs disponibles sont nickelés, sauf l'arbre à bretzels, qui est en inox. Des options de présentoirs fixes et stationnaires pouvant contenir de trois à sept plateaux de présentation sont disponibles.

Modèles FSD-1 et FSDT-1 Models

Le FSD-1 est un modèle à une porte avec moteur de vitrine rotative.

Le FSDT-1 est un modèle à une porte avec moteur de vitrine rotative comme le FSD-1, mais il mesure 127 mm (5") de plus en hauteur. Il est proposé avec des options de présentoirs fixes et rotatifs pouvant contenir de trois à sept plateaux de présentation.

Sur chaque modèle, le présentoir rotatif s'arrête automatiquement à l'ouverture de la porte. Pour des détails sur les différentes options de grille, voir la section OPTIONS ET ACCESSOIRES.



Modèle FSD-1

NOTA : Les modèles FSD-1 and FSDT-1 ne peuvent pas être convertis en modèles FSD-2/FSDT-2 or FSD-2X/FSDT-2X.

Modèles FSD-2 et FSDT-2 Models

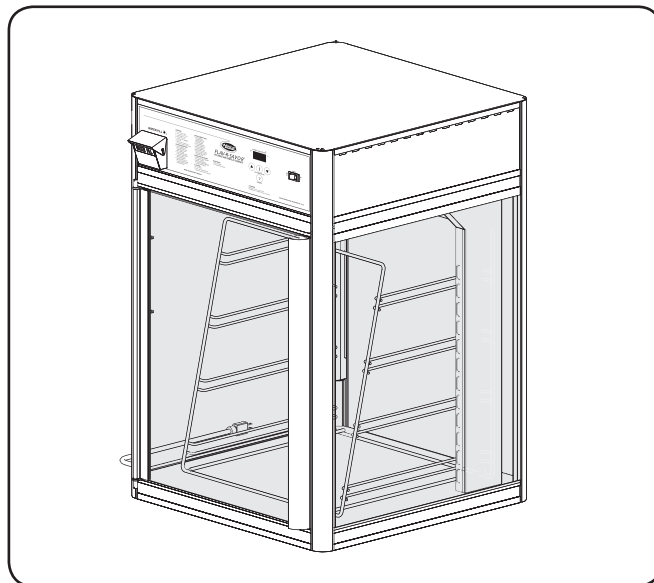
Le FSD-2 et le FSDT-2 sont identiques aux modèles FSD-1 et FSDT-1, à ceci près qu'ils ont une porte supplémentaire du côté opposé des commandes pour faire passer plus facilement les plats.

Modèles FSD-1X et FSDT-1X Models

Le FSD-1X est un modèle à porte unique avec un présentoir fixe contenant trois plateaux de présentation.

Le FSDT-1X est un modèle à porte unique avec un présentoir fixe contenant quatre plateaux de présentation, mais qui est plus grand de 127 mm (5").

Pour des détails sur les différentes options de grille, voir la section OPTIONS ET ACCESSOIRES.



Modèle FSDT-1X

NOTA : Les modèles FSD-1X et FSDT-1X ne peuvent pas être convertis en modèles FSD-1/FSDT-1, FSD-2/FSDT-2 ou FSD-2X/FSDT-2X.

Modèles FSD-2X et FSDT-2X

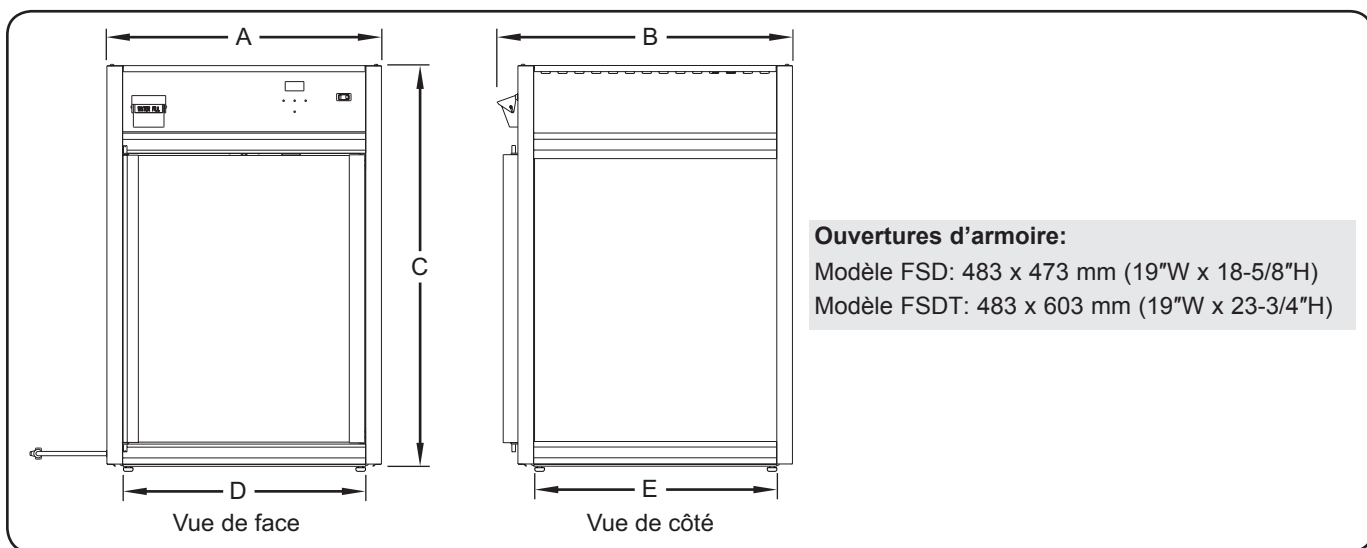
Le FSD-2X et le FSDT-2X sont identiques aux modèles FSD-1X et FSDT-1X, à ceci près qu'ils ont une porte supplémentaire du côté opposé des commandes pour faire passer plus facilement les plats.

NOTA : Les modèles FSD-2X et FSDT-2X ne peuvent pas être convertis en modèles FSD-2/FSDT-2.

Dimensions

Modèle	Largeur (A)	Profondeur (B)	Hauteur (C)*	Largeur d'encombrement (D)	Profondeur d'encombrement (E)
FSD-1	569 mm (22-1/2")	612 mm (24-1/8")	699 mm (27-9/16")	506 mm (19-15/16")	508 mm (20")
FSD-1X					
FSD-2	569 mm (22-1/2")	644 mm (25-3/8")	699 mm (27-9/16")	506 mm (19-15/16")	508 mm (20")
FSD-2X					
FSDT-1	569 mm (22-1/2")	612 mm (24-1/8")	826 mm (32-9/16")	506 mm (19-15/16")	508 mm (20")
FSDT-1X					
FSDT-2	569 mm (22-1/2")	644 mm (25-3/8")	826 mm (32-9/16")	506 mm (19-15/16")	508 mm (20")
FSDT-2X					

* Ajouter 102 mm (4") à la hauteur (C) lorsque les jambes de 102 mm (4") sont installées.



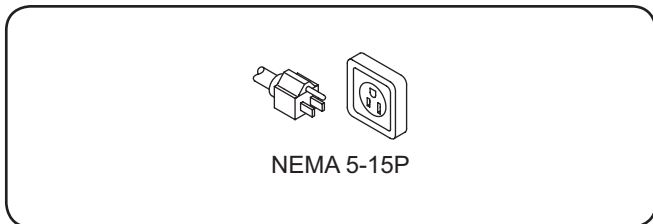
Configuration des fiches

Les appareils sortent de l'usine avec un cordon électrique et une fiche installée. Les fiches sont fournies en fonction de l'application.



DANGER DE DÉCHARGE ÉLECTRIQUE: Brancher l'appareil sur une prise de courant avec terre de tension, de format et de configuration des broches corrects. Si la fiche et la prise ne se correspondent pas, s'adresser à un électricien qualifié pour déterminer et installer une prise de courant de format et de tension corrects.

NOTA: L'étiquette des caractéristiques techniques se situe sur le plafond à l'intérieur de l'appareil.



Configuration des fiches

NOTA: Prise non fournie par Hatco.

Tableau des valeurs nominales électriques — Modèles FSD

Modèle	Tension	Puissance	Intensité	Amps	Configuration de Fiches	Poids d'embarquement
FSD-1 (avec humidité)	120	60	1414	11.8	NEMA 5-15P	51 kg (113 lbs.)
FSD-1 (sans humidité)			1089	9.1		
FSD-1X (avec humidité)	120	60	1414	11.8	NEMA 5-15P	50 kg (111 lbs.)
FSD-1X (sans humidité)			1089	9.1		
FSD-2 (avec humidité)	120	60	1414	11.8	NEMA 5-15P	52 kg (114 lbs.)
FSD-2 (sans humidité)			1089	9.1		
FSD-2X (avec humidité)	120	60	1414	11.8	NEMA 5-15P	51 kg (112 lbs.)
FSD-2X (sans humidité)			1089	9.1		

Tableau des valeurs nominales électriques — Modèles FSDT

Modèle	Tension	Puissance	Intensité	Amps	Configuration de Fiches	Poids d'embarquement
FSDT-1 (avec humidité)	120	60	1414	11.8	NEMA 5-15P	54 kg (120 lbs.)
FSDT-1 (sans humidité)			1089	9.1		
FSDT-1X (avec humidité)	120	60	1414	11.8	NEMA 5-15P	51 kg (118 lbs.)
FSDT-1X (sans humidité)			1089	9.1		
FSDT-2 (avec humidité)	120	60	1414	11.8	NEMA 5-15P	55 kg (122 lbs.)
FSDT-2 (sans humidité)			1089	9.1		
FSDT-2X (avec humidité)	120	60	1414	11.8	NEMA 5-15P	54 kg (120 lbs.)
FSDT-2X (sans humidité)			1089	9.1		

NOTA: Le poids d'embarquement comprend l'emballage.

Généralités

Les armoires de présentation chauffées et humides Flav-R-Savor® sont expédiées avec la plupart des composants installés et prêts à l'emploi. Les instructions d'installation suivantes doivent être respectées avant de brancher et de faire fonctionner l'armoire.

⚠ AVERTISSEMENT

DANGER DE DÉCHARGE ÉLECTRIQUE: L'appareil n'est pas à l'épreuve des intempéries. Placer l'appareil à l'intérieur à une température ambiante de 21°C minimum.

DANGER D'INCENDIE : Placer l'appareil à un minimum de 25 mm des parois et matières combustibles. Si une distance sûre n'est pas maintenue, la chaleur peut provoquer une combustion ou une altération de couleur.

⚠ ATTENTION

Placer l'appareil sur un plan de travail de hauteur correcte à un endroit qui convient pour son utilisation. Le support doit être de niveau pour éviter toute chute accidentelle du grille-pain ou de son contenu et suffisamment solide pour résister au poids de l'appareil et de son contenu.

La National Sanitation Foundation (NSF) exige que les appareils mesurant plus de 914 mm (36") de largeur et pesant plus de 36 kg (80 lbs.) soient hermétiquement fixés ou rehaussés sur la surface d'installation. Si vous ne pouvez pas fixer l'appareil à son endroit d'utilisation, montez-le sur les pieds de 102 mm (4") pour pouvoir facilement nettoyer en dessous.

Transporter l'appareil à la verticale seulement. Avant de déplacer ou basculer l'appareil, fixer toutes les surfaces en verre avec du ruban adhésif et vider l'eau du réservoir sous peine d'endommagement de l'appareil ou de blessures personnelles.

1. Retirer l'appareil de sa boîte.

NOTA: Pour éviter des retards dans l'obtention de la couverture de la garantie, complétez l'enregistrement en ligne de votre garantie. Lisez la section INFORMATIONS IMPORTANTES POUR LE PROPRIÉTAIRE pour plus de détails.

2. Retirez le ruban et l'emballage de protection de toutes les surfaces de l'appareil, des plaques et des accessoires.
 - Plancher — Le plancher inox dans toutes les armoires est protégé durant l'expédition par du carton ondulé. Cette protection devra être enlevée avant la mise en marche de l'appareil.
 - Présentoir — Du matériel d'emballage et du carton sont attachés en guise de protection durant l'expédition. Cette protection devra être enlevée avant la mise en marche de l'appareil.
 - Pieds — Les armoires sont expédiées avec quatre pieds en caoutchouc attachés en bas. Pour les armoires avec pieds réglables de 102 mm (4") en option, voir les instructions d'installation à la section OPTIONS ET ACCESSOIRES.

NOTA: Si les pieds de 102 mm (4") sont installés, ne pas enlever la protection en verre avant la fin de l'installation.

- Panneaux latéraux en verre — Les armoires ont des panneaux latéraux en verre trempé qui sont protégés en cours d'expédition par des feuilles de polystyrène placées le long des bords en verre et fixés en toute sécurité par un ruban adhésif. Les feuilles de polystyrène et le ruban adhésif devront être enlevés avant la mise en marche de l'appareil.

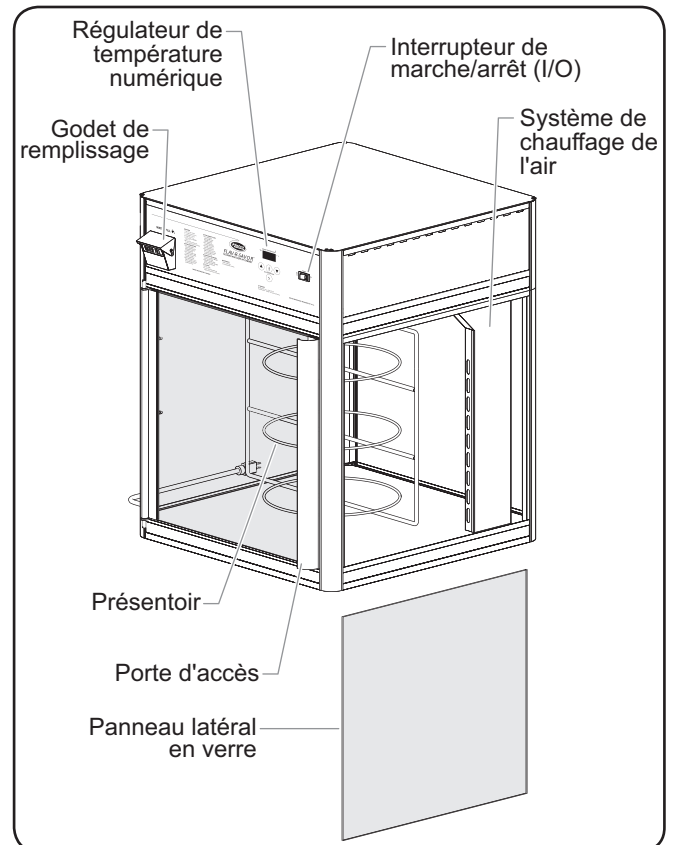
NOTA: Tout impact sur le verre trempé peut le casser.

Pour enlever un panneau en verre, le saisir fermement par l'intérieur et l'extérieur de l'armoire. Soulever et sortir de la coulisse inférieure, puis abaisser le panneau en verre avec précaution jusqu'à ce qu'il sorte de la coulisse supérieure.

Pour réinstaller, positionner le bord supérieur du panneau en verre sous le rebord de l'armoire. Soulever le panneau jusqu'à ce qu'il sorte de la coulisse inférieure, puis abaisser le panneau en verre avec précaution jusqu'à ce qu'il repose dans la coulisse inférieure.

3. Placez l'appareil à l'endroit désiré.

- Placez l'appareil à un endroit où la température ambiante est constante et de 21°C (70°F) minimum. Évitez les endroits susceptibles d'activer les mouvements ou les courants d'air (proximité des ventilateurs ou hottes d'évacuation et conduites de climatisation).
- Assurez-vous que l'appareil est à la bonne hauteur du plan de travail dans un espace pratique pour son utilisation.
- Assurez-vous que le plan de travail est de niveau et suffisamment solide pour supporter le poids de l'appareil et des produits alimentaires.
- Veillez à ce que tous les pieds sous l'appareil sont bien positionnés sur le plan de travail.



Composants

Inversion de la porte d'accès

La porte d'accès des armoires de présentation chauffées et humides Flav-R-Savor® peut avoir les charnières à gauche ou à droite pour plus de commodité. Procéder comme suit pour inverser la porte d'accès.

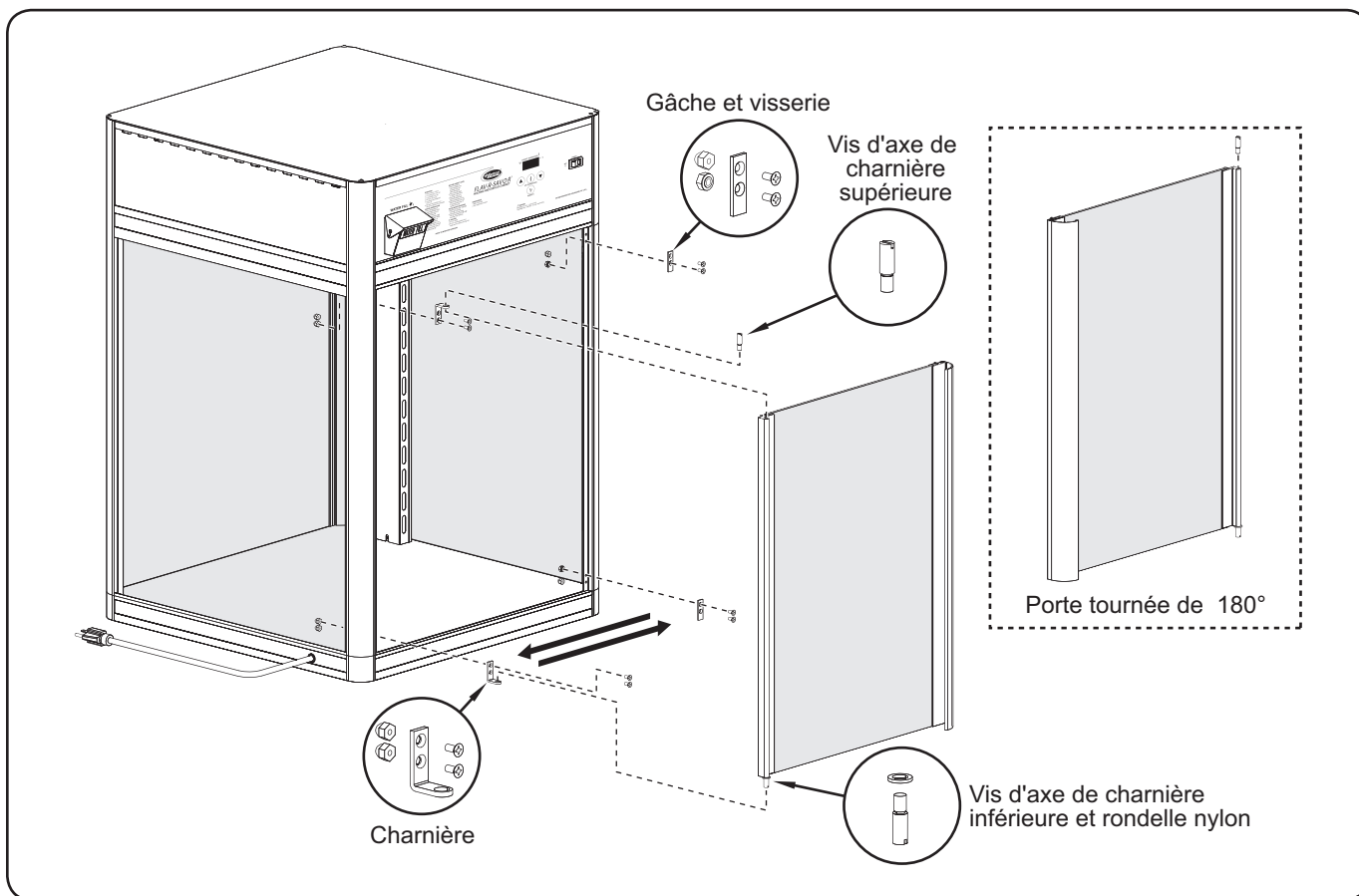
NOTA: Les quatre derniers chiffres du numéro de série à 10 chiffres correspondent au code de la date de fabrication.

Par exemple : Le numéro de série 9625061331 a un code de la date égal à « 1331 » qui signifie : 1331

Année 2013
Semaine trente et un

NOTA: Pour les modèles possédant un code de date égal à 1829 ou antérieur et équipés d'un présentoir rotatif motorisé (FSD-1, FSD-2, FSDT-1 et FSDT-2), la procédure de « Déplacement du commutateur de proximité » doit être réalisée après avoir inversé la/les porte(s) d'accès.

1. Enlever la vis de l'axe de charnière supérieur qui fixe la porte à la charnière.
2. Basculer la porte vers l'avant (loin de l'armoire) et la soulever avec précaution pour la dégager de la charnière inférieure. Enlever la rondelle nylon.
3. Réinstaller l'axe de charnière supérieur.
4. Retirer le couvercle de la lampe fluorescente pour accéder au support de charnière/à la plaque de butée, si nécessaire.
5. Enlever les vis qui fixent les charnières à l'armoire.
6. Enlever les vis des gâches du côté opposé des charnières.
7. Installer les gâches de l'autre côté, là où se trouvaient les charnières.
8. Installer les charnières du côté de l'armoire où se trouvaient les gâches en utilisant les vis d'origine.
9. Remettre le couvercle de la lampe fluorescente, si nécessaire.
10. Tourner la porte avec précaution de 180°.
11. Enlever la vis de l'axe de charnière de l'extrémité qui est désormais le haut.
12. Placer avec précaution la porte avec la rondelle nylon dans la charnière du bas.
13. Basculer/incliner la porte vers l'armoire et aligner le haut de la porte sur la charnière. Réinstaller la vis de l'axe de charnière supérieure à travers la charnière et dans le haut de la porte.



Inversion de la porte d'accès

Déplacement du Commutateur de Proximité (Modèles de Présentoirs Rotatifs Uniquement - FSD-1, FSDT-1, FSD-2, FSDT-2)

Code de la date égal à 1829 ou antérieur

NOTA: Les quatre derniers chiffres du numéro de série à 10 chiffres correspondent au code de la date de fabrication.

Par exemple : Le numéro de série 9625061331 a un code de la date égal à « 1331 » qui signifie : 1331

Année 2013
Semaine trente et un

Sur les modèles FSD équipés d'un présentoir rotatif, vous devez déplacer le(s) commutateur(s) de proximité lorsque vous inversez la ou les portes.

Le commutateur de proximité arrête la rotation du présentoir lorsque la porte est ouverte. Procédez comme suit de sorte que le commutateur de proximité se trouve dans la bonne position après inversion de la ou des portes. L'appareil exige un commutateur par porte.

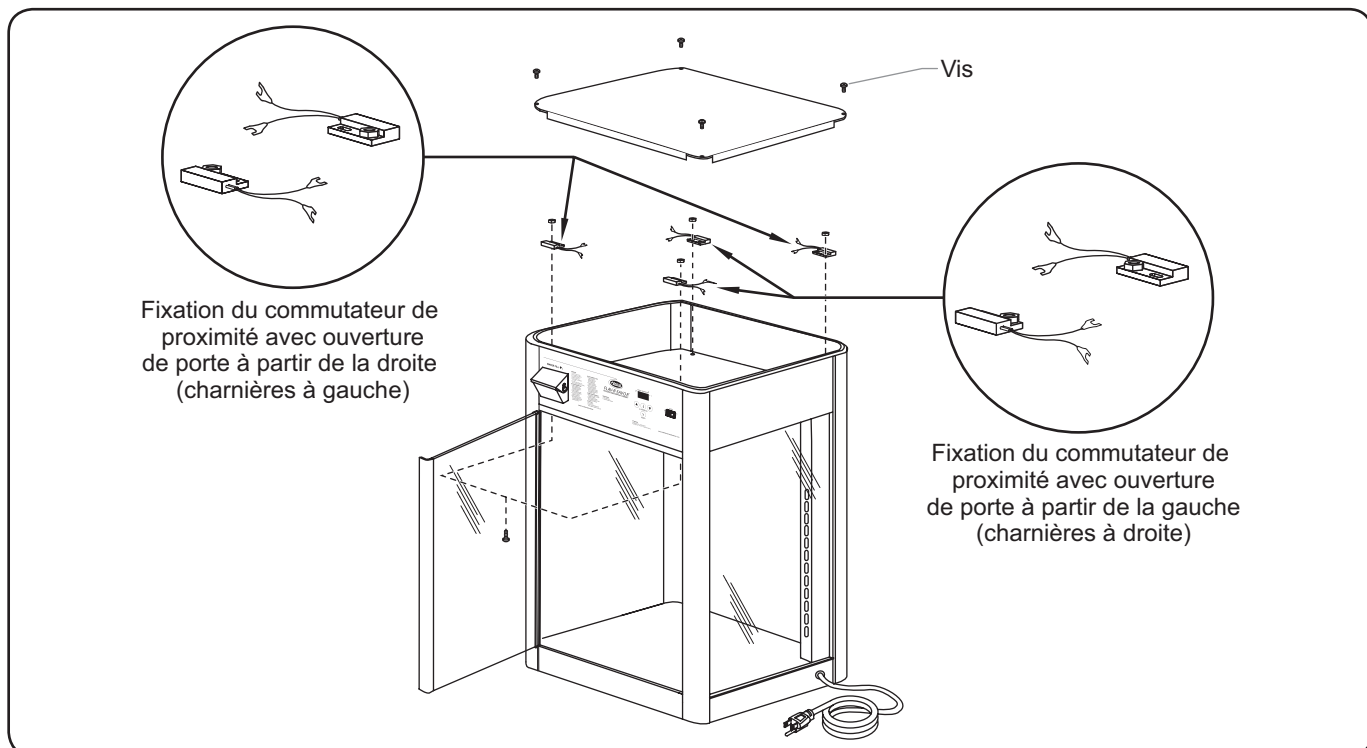
1. Éteindre l'appareil, débrancher le cordon d'alimentation et laisser refroidir l'appareil.
2. Retirez les quatre vis et le capot supérieur.
3. Retirez la vis et l'écrou qui fixent le commutateur de proximité sur l'armoire. La vis est accessible par l'intérieur de l'appareil. Réinstallez la vis et l'écrou dans le trou après avoir retiré le commutateur.
4. Coupez l'attache de câble qui fixe les conducteurs du commutateur de proximité au faisceau de câblage. Marquez les deux conducteurs pour faciliter le remontage et débranchez les conducteurs du commutateur de proximité. Acheminez les conducteurs à l'angle opposé et rattachiez les conducteurs au commutateur.

NOTA: Assurez-vous d'installer le commutateur de proximité comme indiqué ci-dessous en fonction du lieu d'installation. Un mauvais placement peut entraîner un dysfonctionnement du commutateur de proximité.

5. Retirez la vis et l'écrou du nouveau trou de fixation. Fixer le commutateur de proximité dans le trou avec la vis et l'écrou. Assurez-vous de maintenir l'orientation du commutateur en serrant la visserie.
6. Assurez-vous que les conducteurs n'interfèrent pas avec d'autres composants à l'intérieur de l'armoire, puis fixez les conducteurs du commutateur au faisceau de câblage avec une attache de câble (non fournie).

NOTA: Sur les modèles équipés de deux portes, il est possible que vous deviez déplacer le compartiment d'air pour accéder au commutateur de proximité sur la porte côté client. Videz toute l'eau de l'appareil, retirez le bouchon de vidange de l'intérieur de l'armoire, puis ôtez les quatre vis qui fixent le compartiment d'air sur l'armoire. Sortez le compartiment d'air pour dégager l'accès au commutateur de proximité. Remontez après avoir déplacé le commutateur.

7. Installez le capot et les quatre vis.
8. Brancher l'appareil sur une alimentation adéquate.
9. Mettre l'appareil en marche et vérifier le fonctionnement du commutateur de proximité en s'assurant que le présentoir tourne quand la porte est fermée et s'arrête de tourner quand elle est ouverte.



Déplacement du Commutateur de Proximité

Généralités

Procéder comme suit pour utiliser les armoires de présentation chauffées et humides Flav-R-Savor®.

⚠ AVERTISSEMENT

Lire tous les messages de sécurité de la section Consignes de sécurité importantes avant d'utiliser ce matériel.

1. Brancher l'appareil sur une prise électrique correctement mise à la terre du type, de la taille et de la tension corrects. Pour plus de détails, voir CARACTÉRISTIQUES TECHNIQUES.
2. Placer l'interrupteur d'alimentation POWER (I/O) sur position ON (I).
 - L'éclairage de l'armoire s'allume et le système de chauffage démarre.
 - « LO H2O » clignote quatre fois sur l'affichage CABINET TEMPERATURE, puis la température de l'armoire s'affiche. L'alternance se poursuit ainsi jusqu'au remplissage du réservoir. Une fois le réservoir plein, « LO H2O » arrête de clignoter et l'affichage indique la température de l'armoire.

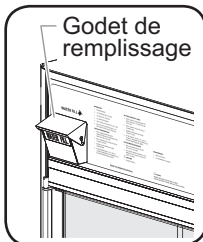
AVIS

L'emploi d'eau distillée dans le réservoir d'eau des modèles humides est recommandé pour préserver la durée de vie des composants électriques et mécaniques. Si de l'eau non distillée est utilisée, le réservoir exigera un nettoyage et un détartrage périodiques (pour la procédure de nettoyage, voir la section MAINTENANCE). Les panes d'appareil faute d'avoir enlevé le tartre ou les dépôts calcaires ne sont pas couvertes par la garantie.

Ne pas utiliser l'eau désionisée. L'eau désionisée raccourcira la durée de vie du réservoir d'eau et l'élément chauffant.

NOTA: Les panes d'appareil causées par de l'eau désionisée ne sont pas couvertes par la garantie.

3. Remplir le réservoir d'eau propre. Pour remplir le réservoir :
 - a. Soulever le couvercle du godet de remplissage d'eau et le tirer vers l'avant.
 - b. Verser lentement l'eau dans le godet jusqu'à ce que « LO H2O » cesse de clignoter sur l'affichage de température de l'armoire.



REMARQUE IMPORTANTE

Si de l'eau distillée est utilisée, ajouter une cuillère à café de sel au réservoir d'eau durant le remplissage initial seulement. Ceci permettra de garantir le fonctionnement correct des capteurs de niveau d'eau.

⚠ AVERTISSEMENT

Ne pas trop remplir le réservoir d'eau. Un remplissage excessif peut causer une électrocution. La réserve d'eau est pleine quand « LO H2O » cesse de clignoter sur l'affichage CABINET TEMPERATURE (température de l'armoire). Arrêter de remplir quand « LO H2O » cesse de clignoter sur l'affichage.

NOTA: La capacité du réservoir d'eau est de 2,8 litres (3/4 gallon). Lors du remplissage initial, le réservoir d'eau pourra contenir 3,8 litres (1 gallon) d'eau.

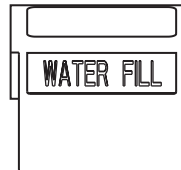
4. Régler l'humidité au taux souhaité (voir la procédure « Réglage du taux d'humidité » dans cette section). Pour des recommandations, voir « Guide de maintien au chaud des aliments ».
5. Régler la température de l'air à la valeur souhaitée (voir la procédure « Réglage de la température de l'air » dans cette section). Pour des recommandations, voir « Guide de maintien au chaud des aliments ».
6. Attendre 30 minutes que l'appareil atteigne sa température de fonctionnement avant de le charger de produit alimentaire préchauffé.

⚠ AVERTISSEMENT

S'assurer que le produit alimentaire a été chauffé à une température adaptée au maintien de sa salubrité avant de le mettre dans l'appareil sous peine de risques graves pour la santé. Cet appareil est destiné au maintien au chaud de produits alimentaires préchauffés uniquement.

DANGER DE BRÛLURE : Certaines surfaces extérieures de l'appareil deviennent chaudes. Toucher ces zones de l'appareil avec précaution.

WATER FILL



OPERATION

1. Turn on Power Switch.
2. Set Temperature Selector.
3. Set Humidity Selector.
4. Fill Water Reservoir.
5. Load food after HUMIDITY LED is off.
6. On units with rotating racks – do not turn display rack manually.

SETTING TEMPERATURE

1. Press Temperature to enter temperature mode (temperature set point will be displayed).
2. Press Temperature again to display current setting.
3. Arrow Up or Down to desired temperature.
4. After temperature is set – Wait 15 seconds for board to automatically return to operational mode.

SETTING HUMIDITY LEVEL

1. Press Humidity to enter humidity mode (humidity set point will be displayed).
2. Press Humidity again to display current level.
3. Arrow Up or Down to desired humidity level.
4. After humidity level is set – Wait 15 seconds for board to automatically return to operational mode.


FILLING WATER RESERVOIR

1. Refill reservoir when "LO H2O" message is flashing.
2. Add water through Water Fill cap opening until "LO H2O" message stops flashing.

CAUTION

1. Do not overfill.
2. Cool to safe temperature and empty reservoir before moving unit.

REFER TO OPERATOR'S MANUAL



FLAV-R-SAVOR®
HOLDING AND DISPLAY CABINET

MAINTENANCE

1. Wipe clean daily.
2. Use appropriate cleaners.

CABINET TEMPERATURE $^{\circ}\text{F}$ $^{\circ}\text{C}$

180

AIR TEMPERATURE




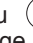
HUMIDITY

POWER OFF ON I





⚠ WARNING
Overfilling can cause electrical shock.
Stop filling when "LO H2O" message stops flashing.

HATCO CORPORATION MILWAUKEE, WI U.S.A.

Réglage de la température de l'air

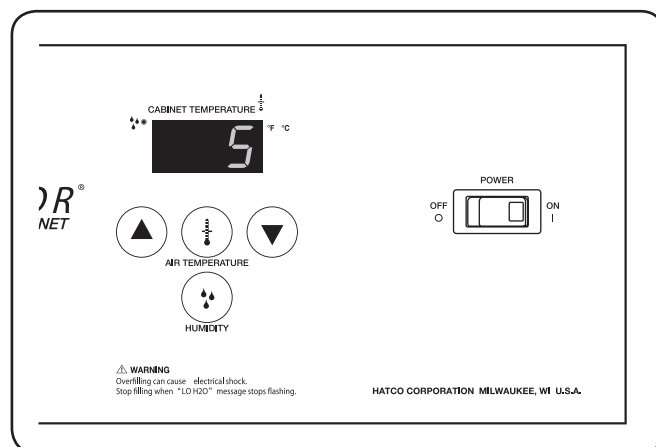
1. Appuyez sur la touche  (AIR TEMPERATURE) pour passer au mode Température (« tSP » apparaît sur l'affichage de température de l'armoire).
2. Rappuyez sur la touche  (AIR TEMPERATURE) pour afficher le point de consigne de température actuel.
3. Appuyez sur la flèche  ou  pour atteindre la température souhaitée. La plage de températures est comprise entre 27 et 88 °C (80 et 190 °F) par incréments de 1 degré.
4. Une fois la température réglée, attendre 15 secondes sans appuyer sur une touche pour que l'affichage de température de l'armoire repasse automatiquement au mode opérationnel.

Réglage du taux d'humidité

1. Appuyer sur la touche  (humidité) pour passer au mode Humidité (« hSP » apparaît sur l'affichage de température de l'armoire).
2. Rappuyer sur la touche  pour afficher le taux d'humidité actuel.
3. Appuyer sur la flèche  ou  pour atteindre le taux d'humidité souhaité. Le taux d'humidité se règle de 1 à 5 (1 correspond au plus bas taux d'humidité et 5 au plus haut). Voir les recommandations sous « Guide de maintien au chaud des aliments » dans cette section.
4. Une fois le taux d'humidité réglé, attendre 15 secondes sans appuyer sur une touche pour que l'affichage de température de l'armoire repasse automatiquement au mode opérationnel.

NOTA: Les réglages de température et d'humidité peuvent varier en fonction du mode de préparation et de la consistance des produits. L'indicateur de température affiche la température la plus basse à l'intérieur de l'armoire et non la température du produit.

La capacité du réservoir permet un fonctionnement ininterrompu pendant environ 4 à 8 heures, selon les réglages choisis et la fréquence d'ouverture de la porte. Lorsque le voyant rouge de niveau d'eau bas s'allume, ajoutez de l'eau dans le réservoir. La capacité du réservoir d'eau est de 2,8 litres environ.



Réglage du taux d'humidité

AVERTISSEMENT

DANGER DE DÉCHARGE ÉLECTRIQUE : Un remplissage excessif peut causer une électrocution. La réserve d'eau est pleine quand « LO H2O » cesse de clignoter sur l'affichage CABINET TEMPERATURE (température de l'armoire). Arrêter de remplir quand « LO H2O » cesse de clignoter sur l'affichage.

Guide de maintien au chaud des aliments

Type d'aliment	Durée Maximum de Maintien au Chaud	Réglage d'humidité	Température	
			°F	°C
Bollos	2 Heures	3	130–140	55–60
Morceaux de poulet (frit)	4 Heures	5	175	80
Croissants	4 Heures	1	140	60
Tartes aux fruits	3-1/2 Heures	4	140	60
Rondelles d'oignon	1/2 to 1 Heure	1	175	80
Pizza — Croûte épaisse	1 Heure	4	185	85
Croûte fine	1 Heure	5	180	82
Bretzels	3 Heures	4	140	60
Sandwichs emballés	2 Heures	4	180	82

NOTA: Tous les réglages et durées ne sont que des recommandations et peuvent varier en fonction de la préparation du produit, du temps de cuisson et de la température interne de l'aliment.

Généralités

Les armoires de présentation chauffées et humides Flav-R-Savor® sont conçus pour une durabilité et une performance maximum et un minimum d'entretien.

AVERTISSEMENT

DANGER DE DÉCHARGE ÉLECTRIQUE :

- Débrancher le cordon électrique et laisser l'appareil refroidir avant d'effectuer son entretien ou son nettoyage ou d'essayer de le décoincer
- **NE PAS immerger l'appareil ni le saturer d'eau.** L'appareil n'est pas étanche à l'eau. Ne pas le faire fonctionner s'il a été immergé ou saturé d'eau.
- Ne pas nettoyer à la vapeur ni utiliser trop d'eau sur l'appareil.

Cet appareil ne contient aucune pièce réparable par l'utilisateur. Si cet appareil doit être réparé, contacter un réparateur Hatco agréé ou le Service après-vente Hatco au +1 414-671-6350.

Pour les réparations, utiliser exclusivement des pièces de rechange Hatco d'origine. Utilisez des pièces détachées Hatco authentiques sous peine d'annuler toutes les garanties et d'exposer l'utilisateur à des tensions électriques dangereuses pouvant entraîner une électrocution ou des brûlures. Les pièces de rechange Hatco d'origine sont conçues pour fonctionner sans danger dans les environnements dans lesquels elles sont utilisées. Certaines pièces de rechange génériques ou de second marché ne présentent pas les caractéristiques leur permettant de fonctionner sans danger dans la matériel Hatco.

Nettoyage quotidien

Afin de préserver la finition brillante de l'armoire Flav-R-Savor, il est recommandé de nettoyer quotidiennement les surfaces extérieures et intérieures.

AVIS

Utiliser uniquement des produits nettoyants non abrasifs. Les produits nettoyants abrasifs peuvent rayer la finition de l'appareil, ce qui altère son apparence et le rend plus susceptible d'accumuler la saleté.

1. Éteindre l'appareil, débrancher le cordon d'alimentation et laisser refroidir l'appareil.
2. Remove and wash all food pans.
3. Passer un chiffon humide sur toutes les surfaces métalliques intérieures et extérieures. Les taches tenaces s'enlèvent avec un bon nettoyant non abrasif. Nettoyer les zones difficiles d'accès avec une petite brosse et du savon doux.

NOTA: *Le présentoir rotatif et le présentoir fixe sont amovibles pour nettoyage, au besoin. Pour les retirer, voir la procédure « Retrait du présentoir rotatif » dans cette section.*

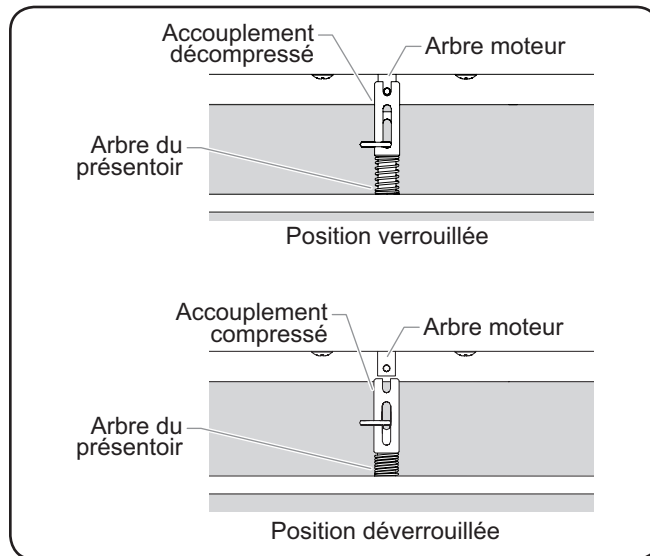
4. Nettoyer les panneaux latéraux en verre et la porte avec un nettoyant pour vitres ordinaires et un chiffon humide doux ou du papier absorbant. Les panneaux latéraux sont amovibles pour un nettoyage minutieux, au besoin. Pour les retirer, voir la procédure « Retrait des panneaux en verre » dans cette section.

Retrait du présentoir rotatif

(Modèles FSD-1, FSDT-1, FSD-2, FSDT-2)

1. Ouvrir la porte d'accès frontale.
2. Tirer sur l'accouplement monté sur ressort qui doit être compressé.
3. Abaisser le présentoir jusqu'à ce que l'arbre du présentoir se désolidarise de l'arbre moteur.

NOTA: *Ne pas retirer la goupille fendue de l'arbre du présentoir.*



Retrait des présentoirs motorisés

Repositionnement du présentoir rotatif

1. Insérer le présentoir dans l'armoire et placer son point le plus bas dans l'encoche située au centre du fond de l'armoire.
2. Tirer sur l'accouplement monté sur ressort qui doit être compressé.
3. Abaisser le présentoir jusqu'à ce que l'arbre du présentoir s'aligne sur l'axe de l'arbre moteur.
4. Décompresser l'accouplement monté sur ressort jusqu'à ce que l'accouplement soit correctement verrouillé sur l'axe de l'arbre moteur.

Retrait des panneaux en verre

1. Soulever le panneau en verre de la coulisse inférieure de l'armoire.
2. Écarter le bord inférieur de l'armoire.
3. Abaisser avec précaution le panneau en verre jusqu'à ce que le haut sorte de l'armoire.

Remise en place du panneau en verre

1. Positionner le panneau en verre avec le bord supérieur sous le rebord supérieur de l'armoire, puis soulever le panneau jusqu'à ce qu'il passe la coulisse inférieure de l'armoire.
2. Déplacer le panneau en verre vers l'armoire jusqu'à ce qu'il repose contre le cadre de l'armoire.
3. Abaisser avec précaution jusqu'à ce qu'il repose dans la coulisse inférieure de l'armoire.

Vidange du réservoir d'eau

Le réservoir d'eau des modèles humidifiés doit être vidé avant le déplacement de l'armoire, ainsi que durant la procédure « Élimination des dépôts de tartre et de calcaire ».

⚠ AVERTISSEMENT

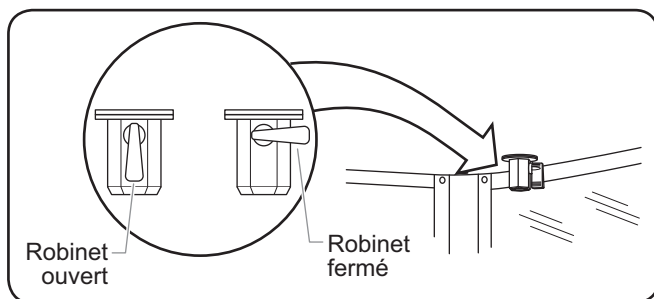
DANGER DE DÉCHARGE ÉLECTRIQUE: Éteignez l'appareil et débranchez le cordon d'alimentation de la prise secteur et laissez refroidir avant une maintenance ou un nettoyage.

1. Éteindre l'appareil, débrancher le cordon d'alimentation et laisser refroidir l'appareil.
2. Situer le robinet dans l'armoire sous le plafond.

⚠ ATTENTION

DANGER DE BRÛLURE: Le plafond et l'eau du réservoir sont chauds en cours de fonctionnement. Laissez refroidir avant de vider.

3. Positionner un récipient de 4 litres (un gallon) sous le robinet.
4. Tourner la poignée du robinet de l'horizontale (position fermée) à la verticale (position ouverte) pour vider le réservoir.
5. Une fois le réservoir vide, remettre la poignée du robinet en position fermée.



Robinet de vidange du réservoir

NOTA: Si l'eau utilisée contient une quantité excessive de tartre ou de calcaire, suivre la procédure ÉLIMINATION DES DÉPÔTS DE TARTRE ET DE CALCAIRE pour le nettoyage et le détartrage périodiques du réservoir d'eau.

NOTA: Les pannes d'appareil causées par de l'accumulation de tartre et de sédiments ne sont pas couvertes par la garantie.

Élimination des dépôts de tartre et de calcaire

Procéder comme suit pour le nettoyage et la détartrage périodiques du réservoir d'eau dans les modèles humidifiés.

NOTA: La teneur en tartre et en calcaire de l'eau utilisée pour une utilisation quotidienne déterminera la fréquence de détartrage.

NOTA: Effectuer cette procédure si l'appareil ne doit pas être utilisé pendant un certain temps, en fin de journée par exemple.

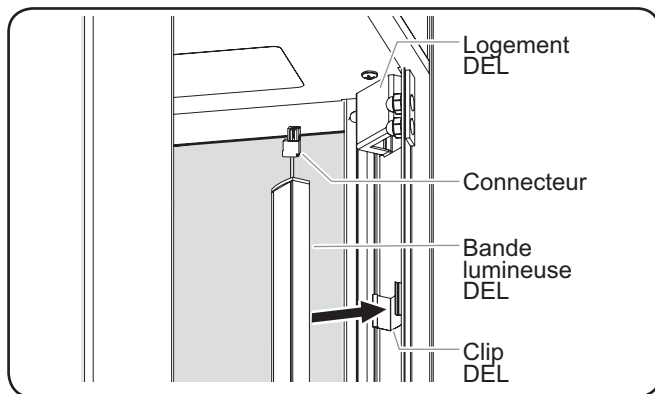
1. Éteindre l'appareil, débrancher le cordon d'alimentation et laisser refroidir l'appareil.
2. Après refroidissement de l'appareil, effectuer la procédure « Vidange du réservoir d'eau » dans cette section.
3. Remplir le réservoir d'eau d'un mélange de 75 % d'eau et 25 % de vinaigre blanc. Ne pas utiliser de vinaigre parfumé.
4. Brancher et mettre l'appareil en marche.
5. Régler la température de l'air et l'humidité au maximum et laisser fonctionner l'appareil pendant 30 minutes.
6. Éteindre l'appareil, débrancher le cordon d'alimentation et laisser refroidir.
7. Effectuer la procédure « Vidange du réservoir d'eau » pour évacuer la solution de détartrage du réservoir d'eau.
8. Continuer à remplir et vider le réservoir à l'eau claire jusqu'à ce que la solution détartrante soit complètement rincée et que l'eau évacuée soit propre.
9. Brancher l'appareil sur l'alimentation et remplir le réservoir comme d'habitude pour une utilisation quotidienne en suivant la procédure de la section MODE D'EMPLOI dans ce manuel.

Remplacer une bande lumineuse DEL

Les appareils sont équipés de deux bandes lumineuses DEL afin d'éclairer la zone de chauffage. Pour tout remplacement de bande lumineuse DEL, utiliser la référence Hatco P/N 04.29.405.90.

Appliquer la procédure suivante pour remplacer une bande lumineuse DEL.

1. Éteindre l'appareil, débrancher le cordon d'alimentation et laisser l'appareil refroidir.
2. Retirer la bande lumineuse DEL des clips la maintenant dans le coin.
3. Tirer le haut de la bande DEL vers le bas pour la retirer de son logement et exposer les connecteurs.
4. Déconnecter les connecteurs de la bande lumineuse DEL à remplacer.
5. Connecter les connecteurs sur la nouvelle bande lumineuse DEL.
6. Rentrer le câblage et le haut de la bande lumineuse DEL dans le logement DEL.
7. Insérer la bande lumineuse DEL dans les clips pour la maintenir.



Remplacer une bande lumineuse DEL
(porte retirée pour plus de clarté)

Réglage du mode de détection de détarrage

Lorsque le mode de détection de détarrage est activé, le panneau de commande indiquera la présence d'une accumulation excessive de calcaire dans les modèles humidifiés en affichant « DE-L » sur l'écran de la TEMPÉRATURE DE L'ARMOIRE. Suivre la procédure suivante pour « activer » ou « désactiver » le mode de détection de détarrage.

1. Appuyer de manière prolongée sur la touche ▲ ou la touche ▼ pendant quatre secondes.
 - Lorsque le mode de détection de détarrage est activé, l'écran de TEMPÉRATURE DE L'ARMOIRE affiche « L-ON » pendant 3 secondes.
 - Lorsque le mode de détection de détarrage est désactivé, l'écran de TEMPÉRATURE DE L'ARMOIRE affiche « L-OFF » pendant 3 secondes.

⚠ AVERTISSEMENT

La réparation de cet appareil doit être confiée exclusivement à du personnel qualifié. Les réparations par des personnes non qualifiées peuvent provoquer des décharges électriques et des brûlures.

⚠ AVERTISSEMENT

DANGER DE DÉCHARGE ÉLECTRIQUE: Débrancher le cordon électrique et laisser l'appareil refroidir avant d'effectuer son entretien ou son nettoyage ou d'essayer de le décoincer.

Symptôme	Cause Probable	Solution
Les lumières DEL ne fonctionnent pas.	Branchements desserrés.	Vérifier que les branchements sont bien fixés.
	Le circuit DEL est défectueux.	Contactez un réparateur agréé ou Hatco pour obtenir de l'aide.
	La bande lumineuse DEL est défectueuse.	Remplacer la bande lumineuse DEL. Veuillez vous reporter à la procédure « Remplacement d'une bande lumineuse DEL » décrite dans la section ENTRETIEN.
L'appareil fonctionne, mais l'air ne circule pas dans l'armoire.	Moteur de soufflerie défectueux.	Contactez votre agent de maintenance agréé ou Hatco pour assistance.
	La tension fournie à la soufflerie n'est peut-être pas correcte.	
L'appareil est branché, mais rien ne marche.	Appareil non alimenté.	Vérifier la prise électrique et s'assurer que l'alimentation correspond aux caractéristiques techniques de l'appareil. Si la prise ne fonctionne pas, vérifier le disjoncteur et le réarmer, ou brancher l'appareil sur une autre prise fonctionnelle.
	Cordon d'alimentation mal enfiché ou débranché.	Contactez votre agent de maintenance agréé ou Hatco pour assistance.
	Cordon d'alimentation endommagé.	
	Interrupteur POWER ON/OFF (I/O) défectueux.	
L'appareil est opérationnel, mais le présentoir rotatif (le cas échéant) ne tourne pas.	Le commutateur de proximité n'a pas été déplacé après inversion de la porte.	Voir « Déplacement du commutateur de proximité » à la section INSTALLATION de ce manuel.
	L'aimant ou le commutateur de proximité ne fonctionne pas bien.	Contactez votre agent de maintenance agréé ou Hatco pour assistance.
	Vérifier si la tension correcte est fournie au moteur du présentoir.	
L'appareil ne produit pas d'air chaud dans l'armoire.	Disjoncteur ouvert.	Contactez votre agent de maintenance agréé ou Hatco pour assistance.
	Vérifier si la tension correcte est fournie à l'élément chauffant.	
	Moteur de soufflerie défectueux.	
	Élément chauffant de l'air défectueux.	
L'appareil chauffe mais génère trop d'humidité à l'intérieur de l'armoire, provoquant ainsi de la vapeur.	Le contrôle de l'humidité est réglé à un niveau trop élevé.	Régler le contrôle de l'humidité à un niveau plus bas.
	La température de l'air est réglée à un niveau trop bas.	Régler la température à un niveau plus élevé.
	Le contrôle de l'humidité est défectueux.	Contactez votre agent de maintenance agréé ou Hatco pour assistance.
L'appareil chauffe, mais ne produit pas d'humidité dans l'armoire. « LO H2O » ne clignote pas sur l'affichage et l'appareil est plein d'eau.	Tension incorrecte fournie à l'élément chauffant de l'eau ou élément chauffant défectueux.	Contactez votre agent de maintenance agréé ou Hatco pour assistance.
L'appareil chauffe, mais ne produit pas d'humidité dans l'armoire. « LO H2O » clignote sur l'affichage et l'appareil est plein d'eau.	Avec de l'eau distillée utilisée, aucun minéral n'est détecté par la sonde de bas niveau d'eau.	Lors du remplissage initial, ajouter une cuillère à café de sel dans le réservoir d'eau.
	Le système de protection contre un bas niveau d'eau fonctionne mal.	Contactez votre agent de maintenance agréé ou Hatco pour assistance.

suite...

Codes d'erreur

Les codes d'erreur suivants peuvent apparaître sur l'écran d'affichage numérique pour indiquer une erreur au niveau du fonctionnement de l'appareil.

LO H20 = La sonde de faible niveau d'eau ne détecte pas d'eau. Remplissez le réservoir d'eau. Référez-vous aux instructions de la section MODE D'EMPLOI de ce manuel.

E1 = Dysfonctionnement du capteur de température de l'air. Contactez un agent de service Hatco agréé ou Hatco pour obtenir une assistance.

E2 = Dysfonctionnement du capteur de température de l'humidité. Contactez un agent de service Hatco agréé ou Hatco pour obtenir une assistance.

dE-L = Le réservoir d'eau nécessite un détartrage. Veuillez vous reporter à la procédure « Retrait des dépôts de calcaire et de minéraux » décrite dans la section ENTRETIEN de ce manuel pour nettoyer et détartrer le réservoir d'eau. Veuillez vous reporter à la procédure « Réglage du mode de détection de détartrage » décrite dans la section ENTRETIEN de ce manuel pour « activer » ou « désactiver » le mode de détection de détartrage. Contactez un réparateur agréé ou Hatco pour obtenir de l'aide.

Vous avez des questions en ce qui concerne les pannes?

Si le problème persiste, veuillez contacter l'agence d'entretien agréée Hatco la plus proche ou Hatco pour obtenir une assistance. Pour trouver l'agence d'entretien la plus proche, rendez-vous sur le site Internet de Hatco (www.hatcocorp.com) et sélectionnez le menu déroulant *Support (Assistance)*, puis cliquez sur « Find A Service Agent » (trouver un agent d'entretien); ou contactez l'équipe d'entretien et de pièces détachées de Hatco :

Numéro de téléphone: 800-558-0607 or 414-671-6350

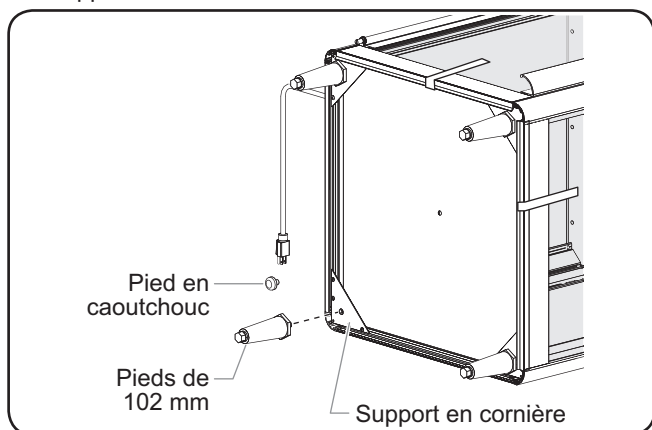
Courriel: support@hatcocorp.com

OPTIONS ET ACCESSOIRES

Pieds réglables de 102 mm (4")

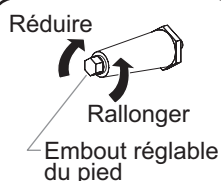
Les pieds réglables de 102 mm (4") permettent d'ajouter une hauteur supplémentaire à l'appareil.

1. Fixer tous les panneaux et les portes en verre avec du ruban adhésif. Poser l'appareil sur le côté. **AVIS : Ne pas poser l'appareil sur le côté du panneau de commande.**
2. Enlever les quatre pieds en caoutchouc vissables des supports en cornière.



Installation des pieds

3. Visser les pieds de 102 mm (4") dans les trous au milieu de chaque support en cornière. Une fois tous les pieds vissés, remettre l'appareil à la verticale. Si l'appareil n'est pas calé ou branle, tourner l'extrémité réglable du pied approprié pour caler l'appareil.

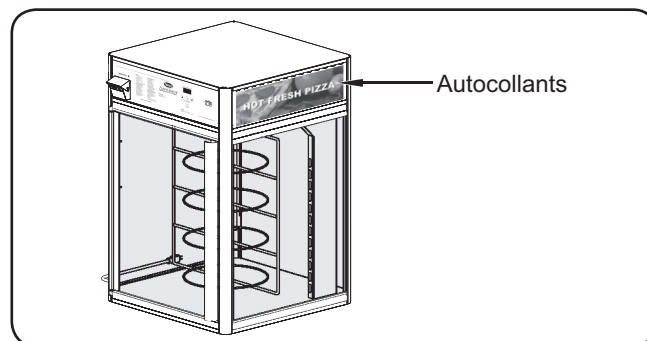


Autocollants produits

Des autocollants produits sont disponibles pour promouvoir les produits. Ils sont conçus pour être installés sur les trois (3) côtés de l'armoire au-dessus des panneaux en verre.

Installation des autocollants

1. Avant d'installer les autocollants, nettoyer les panneaux latéraux avec un nettoyant non huileux, tel que de l'alcool isopropylique (alcool à 90).
2. Une fois les surfaces nettoyées sèches, enlever le support de protection de l'autocollant et appliquer au panneau.
3. Toutes les poches d'air ou les bulles derrière l'autocollant peuvent être enlevées en frottant légèrement avec un chiffon doux, du centre aux bords extérieurs.



Installation des autocollants

Kits décoratifs

Plusieurs kits décoratifs sont disponibles pour tous les modèles FSD. Les instructions d'installation sont incluses dans les kits.

Kits pour le couvercle supérieur

Maintiendront une enseigne magnétique d'une dimension maximale de 584 x 149 mm (23" x 5-7/8").

FSD-CTLH.....Couvercle courbe à charnière, côté du panneau de commande

FSD-CUSH.....Couvercle courbe à charnière, côté opposé au panneau de commande

Kits de façades latérales

FSD-INSET1/FSDT-INSET1....Deux panneaux de façade, décor en forme de croissant

FSD-INSET2/FSDT-INSET2....Deux panneaux de façade, décor en forme de vague

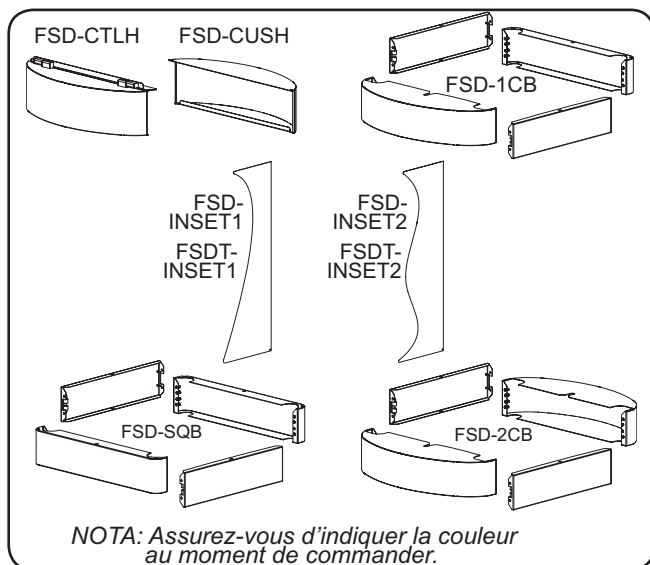
Kits de plinthe (nécessite des pieds de 102 mm [4"], non fournis)

Maintiendront une enseigne magnétique d'une dimension maximale de 508 x 89 mm (20" x 3-1/2").

FSD-SQB Panneaux latéraux, arrière et avant plats

FSD-1CB Panneaux latéraux et arrière plats et panneau avant courbe

FSD-2CB Panneaux latéraux plats et panneaux arrière et avant courbes



Kits décoratifs

Accouplement de présentoir sans moteur

L'accouplement de présentoir sans moteur permet l'installation fixe d'un présentoir rond ou d'un arbre à bretzels dans des armoires sans moteur de présentoir (FSD-1X, FSDT-1X, FSD-2X, FSDT-2X).

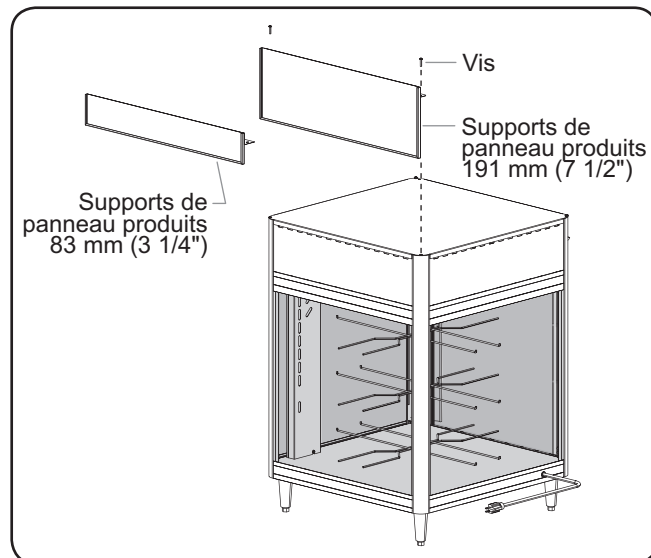
Lumières DEL

Les lumières DEL sont disponibles comme accessoires et sont proposées en deux options de sortie couleur : Blanc chaud (standard) et blanc neutre.

Supports de panneau produits

Des supports de panneau produits sont disponibles dans des hauteurs de 83 mm (3-1/4") et 191 mm (7-1/2"). Ils comportent un support métallique et une fenêtre en acrylique. Trois supports de panneau produits maximum peuvent être installés sur une armoire, un par côté (sauf le côté commandes).

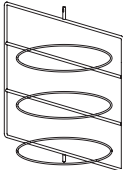
1. Enlever les vis existantes qui fixent le couvercle du dessus en place, positionner le support de panneau sur les trous de vis, puis réinstaller les vis.
2. Placer le panneau imprimé dans le support et glisser la fenêtre de protection en acrylique sur le panneau.



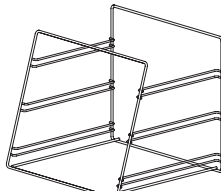
Support de panneau produits (83 mm [3-1/4"] de hauteur illustré)

Présentoirs de FSD

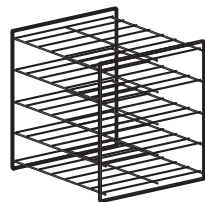
Pour des services alimentaires spécifiques, il est possible de « personnaliser » plusieurs présentoirs pour les modèles FSD.



Présentoir Circulaire à 3 Niveaux*
Ouvertures de présentoir :
117 mm (4-5/8")



Présentoir de Plats à 3 Niveaux
Ouvertures de présentoir :
89 mm (3-1/2")

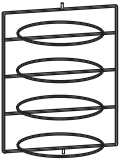


Présentoir Polyvalent à 5 Niveaux
Niveau 1 Ouvertures de présentoir : 63 mm (2-1/2").
NOTA: Le niveau 1 est le niveau inférieur.
Les niveaux 2, 3, et 4 Ouvertures de présentoir : 69 mm (2-3/4").
Les niveaux 2, 3, et 4 sont amovibles.

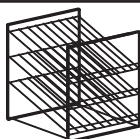
*Présentoirs conçus pour une utilisation avec armoire de présentation motorisée.

Présentoirs de FSDT

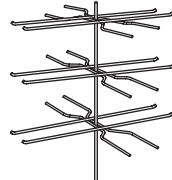
Pour des services alimentaires spécifiques, il est possible de « personnaliser » plusieurs présentoirs pour les modèles FSDT.



Présentoir Circulaire à 4 Niveaux*
Ouvertures de présentoir :
117 mm (4-5/8")

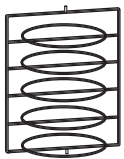


Présentoir Incliné à 3 Niveaux
Ouvertures de présentoir :
89 mm (3-1/2")
Le niveau central est amovible.
Les niveaux sont inclinés à 15°.

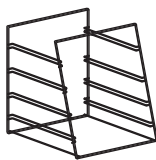


Présentoir de Bretzels à 3 Niveaux*
Ouvertures de présentoir :
149 mm (5-7/8")

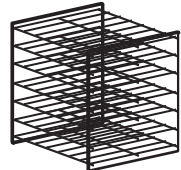
*Présentoirs conçus pour une utilisation avec armoire de présentation motorisée.



Présentoir Circulaire à 5 Niveaux*
Ouvertures de présentoir :
98 mm (3-7/8")



Présentoir de Plats à 4 Niveaux
Ouvertures de présentoir:
89 mm (3-1/2")




Présentoir Polyvalent à 7 Niveaux
Les niveaux 1 et 5 Ouvertures de présentoir : 63 mm (2-1/2").
NOTA: Le niveau 1 est le niveau inférieur.
Les niveaux 2, 3, 4, et 6 Ouvertures de présentoir : 69 mm (2-3/4").
Les niveaux 2, 3, 4, 6, et 7 sont amovibles.


Panneau du thermostat mécanique

Le panneau du thermostat mécanique est une solution de remplacement du panneau de commande numérique doté de cadrans séparés pour réguler la température et l'humidité. C'est une option installée en usine et non disponible pour rattrapage.

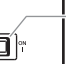
Voyant de Cycle d'humidité

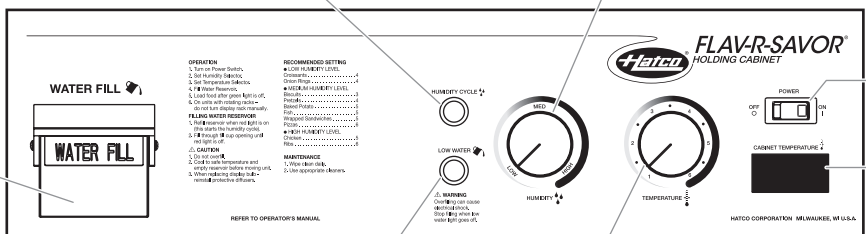


Sélecteur d'humidité




Interrupteur d'alimentation







Godet de Remplissage du Réservoir d'eau



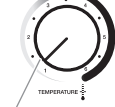
Voyant de Niveau d'eau bas



Voyant de Température d'armoire



Thermostat



Panneau du thermostat mécanique

1. GARANTIE DU PRODUIT

Hatco garantit que les produits qu'il fabrique (les « Produits ») sont exempts de défauts de matériel et de fabrication, dans des conditions normales d'utilisation et de maintenance, pour une période d'un (1) an à partir de la date d'achat à condition que l'appareil soit installé et entretenu conformément aux instructions écrites de Hatco ou 18 mois après la date de l'expédition par Hatco. L'acheteur doit prouver la date d'achat du Produit par l'enregistrement de ce dernier auprès de Hatco ou par d'autres moyens satisfaisants pour Hatco, à sa seule discrétion.

Hatco garantit que les composants du Produit suivants sont exempts de défauts de matériel et de fabrication à partir de la date d'achat (sous réserve des conditions précédentes) pour la ou les périodes de temps et en fonction des conditions listées ci-dessous :

- a) **Garantie d'un (1) an pour les pièces et la main-d'œuvre PLUS un (1) an supplémentaire pour les pièces uniquement :**
 Éléments du grille-pain à convoyeur (enveloppe métallique)
 Éléments des tiroirs chauffants (enveloppe métallique)
 Tiroirs, roues et glissières des tiroirs chauffants
 Éléments des rampes chauffantes (enveloppe métallique)
 Éléments des vitrines chauffantes
 (enveloppe métallique, air chauffant)
 Éléments des armoires de stockage
 (enveloppe métallique, air chauffant)
 Éléments des compartiments chauffants —
 série HW et HWB (enveloppe métallique)
- b) **Garantie de deux (2) ans pour les pièces et la main-d'œuvre :**
 Gammes à induction
 Réchauds à induction
- c) **Garantie d'un (1) an pour les pièces et la main-d'œuvre PLUS quatre (4) ans pour les pièces uniquement :**
 Cuves 3CS et FR
- d) **Garantie d'un (1) an pour les pièces et la main-d'œuvre PLUS neuf (9) ans pour les pièces uniquement :**
 Cuves des appareils de chauffage d'appoint électriques
 Cuves des appareils de chauffage d'appoint à gaz
- e) **Garantie de quatre-vingt-dix (90) jours pour les pièces uniquement :**
 Pièces de rechange

LES GARANTIES PRÉCÉDENTES SONT EXCLUSIVES ET REMPLACENT TOUTES AUTRES GARANTIES, EXPRESSES OU IMPLICITES, COMPRENANT, MAIS NE SE LIMITANT PAS, À TOUTES GARANTIES IMPLICITES DE QUALITÉ MARCHANDE OU DE FINALITÉ PARTICULIÈRE OU TOUTS BREVETS OU TOUTES AUTRES ATTEINTES AUX DROITS DE LA PROPRIÉTÉ INTELLECTUELLE. Sans restreindre la portée générale des énoncés précédents, CES GARANTIES NE COUVRENT PAS LES ÉLÉMENTS SUIVANTS : ampoules d'éclairage à incandescence enduites, lumières fluorescentes, ampoules de lampes chauffantes, ampoules d'éclairage à halogène enduites, ampoules de lampes chauffantes au xénon, tubes d'éclairage DEL, composants en verre et fusibles ; défaut de produit dans la cuve d'un appareil de chauffage d'appoint, dans un échangeur de chaleur à tubes à ailettes ou tout autre équipement de chauffage d'eau causé par la calcification, l'accumulation de sédiments, la réaction d'un produit chimique ou le gel ; ou une mauvaise utilisation, une manipulation ou une mauvaise application, une installation inappropriée du Produit ou l'utilisation d'une tension inappropriée.

2. LIMITES DES RECOURS ET DES DOMMAGES

La responsabilité de Hatco et la seule voie de recours de l'Acheteur prévues par les présentes seront limitées exclusivement, au gré de Hatco, à la réparation ou au remplacement à l'aide de pièces ou de Produits nouveaux ou remis à neuf par Hatco ou un centre de réparation agréé par Hatco (sauf si l'Acheteur se situe hors des États-Unis, du Canada, du Royaume-Uni ou de l'Australie, auquel cas la responsabilité de Hatco et la seule voie de recours de l'Acheteur seront limitées exclusivement au remplacement des pièces concernées par la garantie) à l'égard de toute revendication effectuée dans les délais de garantie applicables mentionnés ci-dessus. Hatco se réserve le droit d'accepter ou de rejeter toute réclamation en partie ou dans son intégralité. Dans le cadre de cette Garantie limitée, « remis à neuf » signifie une pièce ou un Produit dont les caractéristiques techniques d'origine ont été restaurées par Hatco ou un centre de réparation agréé par Hatco. Hatco n'acceptera aucun retour de Produits sans qu'il n'ait auparavant donné son accord écrit, et tous ces retours approuvés doivent être effectués aux seuls frais de l'Acheteur. HATCO NE SERA PAS TENU RESPONSABLE, DANS AUCUNE CIRCONSTANCE, DES DOMMAGES CONSÉCUTIFS OU INDIRECTS, COMPRENANT, MAIS NE SE LIMITANT PAS, AUX COÛTS DE MAIN-D'ŒUVRE OU PERTES DE PROFITS DUS À UNE UTILISATION OU À UNE IMPOSSIBILITÉ D'UTILISER LES PRODUITS OU DUS AU FAIT QUE LES PRODUITS ONT ÉTÉ INTÉGRÉS DANS OU QU'ILS SONT DEVENUS UN COMPOSANT DE TOUT AUTRE PRODUIT OU BIEN.

AUTHORIZED PARTS DISTRIBUTORS • DISTRIBUTEURS DE PIÈCES AUTORISÉS

ALABAMA

Jones McLeod Appl. Svc.
Birmingham 205-251-0159

ARIZONA

Service Solutions Group
Phoenix 602-234-2443

Byassee Equipment Co.
Phoenix 602-252-0402

CALIFORNIA

Industrial Electric
Commercial Parts & Service, Inc.
Huntington Beach 714-379-7100

Chapman Appl. Service
San Diego 619-298-7106

P & D Appliance
Commercial Parts & Service, Inc.
S. San Francisco 650-635-1900

COLORADO

Hawkins Commercial Appliance
Englewood 303-781-5548

FLORIDA

Whaley Foodservice Repair
Jacksonville 904-725-7800

Whaley Foodservice Repair
Orlando 407-757-0851

B.G.S.I.
Pompano Beach 954-971-0456

Comm. Appliance Service
Tampa 813-663-0313

GEORGIA

TWC Services
Mableton 770-438-9797

Heritage Service Group
Norcross 866-388-9837

Southeastern Rest. Svc.
Norcross 770-446-6177

HAWAII

Burney's Comm. Service, Inc.
Honolulu 808-848-1466

Food Equip Parts & Service
Honolulu 808-847-4871

ILLINOIS

Parts Town
Lombard 708-865-7278

Eichenauer Elec. Service
Decatur 217-429-4229

Midwest Elec. Appl. Service
Elmhurst 630-279-8000

Cone's Repair Service
Moline 309-797-5323

INDIANA

GCS Service
Indianapolis 800-727-8710

IOWA

Goodwin Tucker Group
Des Moines 515-262-9308

KENTUCKY

Service Solutions Group
Lexington 859-254-8854

Service Solutions Group
Louisville 502-451-5411

LOUISIANA

Chandlers Parts & Service
Baton Rouge 225-272-6620

MARYLAND

Electric Motor Service
Baltimore 410-467-8080

GCS Service
Silver Spring 301-585-7550

MASSACHUSETTS

Ace Service Co., Inc.
Needham 781-449-4220

MICHIGAN

Bildons Appliance Service
Detroit 248-478-3320

Commercial Kitchen Service
Bay City 989-893-4561

Midwest Food Equip. Service
Grandville 616-261-2000

MINNESOTA

GCS Service
Minnetonka 800-822-2303
x20365

MISSOURI

General Parts
Kansas City 816-421-5400

Commercial Kitchen Services
St. Louis 314-890-0700

Kaemmerlen Parts & Service
St. Louis 314-535-2222

NEBRASKA

Anderson Electric
Omaha 402-341-1414

NEVADA

Burney's Commercial
Las Vegas 702-736-0006

Hi. Tech Commercial Service
N. Las Vegas 702-649-4616

NEW JERSEY

Jay Hill Repair
Fairfield 973-575-9145

Service Plus
Flanders 973-691-6300

NEW YORK

Alpro Service Co.
Maspeth 718-386-2515

Appliance Installation
Buffalo 716-884-7425

Duffy's Equipment Services, Inc.
Buffalo 800-836-1014

3Wire Northern
Plattsburgh 800-634-5005

Duffy's Equipment Services, Inc.
Sauquoit 800-836-1014

J.B. Brady, Inc.
Syracuse 315-422-9271

NORTH CAROLINA

Authorized Appliance
Charlotte 704-377-4501

OHIO

Akron/Canton Comm. Svc. Inc.
Akron 330-753-6634

Service Solutions Group
Cincinnati 513-772-6600

Commercial Parts and Service
Columbus 614-221-0057

Electrical Appl. Repair Service
Brooklyn Heights 216-459-8700

E. A. Wichman Co.
Toledo 419-385-9121

OKLAHOMA

Hagar Rest. Service, Inc.
Oklahoma City 405-235-2184

Krueger, Inc.
Oklahoma City 405-528-8883

OREGON

Ron's Service, Inc.
Portland 503-624-0890

PENNSYLVANIA

Elmer Schultz Services
Philadelphia 215-627-5401

FAST Comm. Appl. Service
Philadelphia 215-288-4800

Appliance Installation & Service
Pittsburgh 412-809-0244

K & D Service Co.
Harrisburg 717-236-9039

Electric Repair Co.
Reading 610-376-5444

RHODE ISLAND

Marshall Electric Co.
Providence 401-331-1163

SOUTH CAROLINA

Whaley Foodservice Repair
Lexington 803-996-9900

TENNESSEE

Camp Electric
Memphis 901-527-7543

TEXAS

GCS Service
Fort Worth 800-433-1804

Armstrong Repair Service
Houston 713-666-7100

Cooking Equipment Specialist
Mesquite 972-686-6666

Commercial Kitchen Repair Co.
San Antonio 210-735-2811

UTAH

La Monica's Rest. Equip. Service
Murray 801-263-3221

VIRGINIA

Daubers
Norfolk 757-855-4097

Daubers
Springfield 703-866-3600

WASHINGTON

3Wire Restaurant Appliance
Seattle 800-207-3146

WISCONSIN

A.S.C., Inc.
Madison 608-246-3160

A.S.C., Inc.
Milwaukee 414-543-6460

CANADA

ALBERTA

Key Food Equipment Service
Edmonton 780-438-1690

BRITISH COLUMBIA

Key Food Equipment Service
Vancouver 604-433-4484

Key Food Equipment Service
Victoria 250-920-4888

MANITOBA

Air Rite, Inc.
Winnipeg 204-895-2300

NEW BRUNSWICK

EMR Services, Ltd.
Moncton 506-855-4228

ONTARIO

R.G. Henderson Ltd.
Toronto 416-422-5580

Choquette - CKS, Inc.
Ottawa 613-739-8458

QUÉBEC

Choquette - CKS, Inc.
Montreal 514-722-2000

Choquette - CKS, Inc.
Québec City 418-681-3944

UNITED KINGDOM

Marren Group
Northants +44(0)1933 665313

HATCO CORPORATION

P.O. Box 340500

Milwaukee, WI 53234-0500 U.S.A.

800-558-0607 414-671-6350

support@hatcocorp.com

www.hatcocorp.com

Register your unit online!

See IMPORTANT OWNER INFORMATION
section for details.

S'inscrire en ligne!

Lisez la section INFORMATIONS IMPORTANTES
POUR LE PROPRIÉTAIRE pour plus de informations.