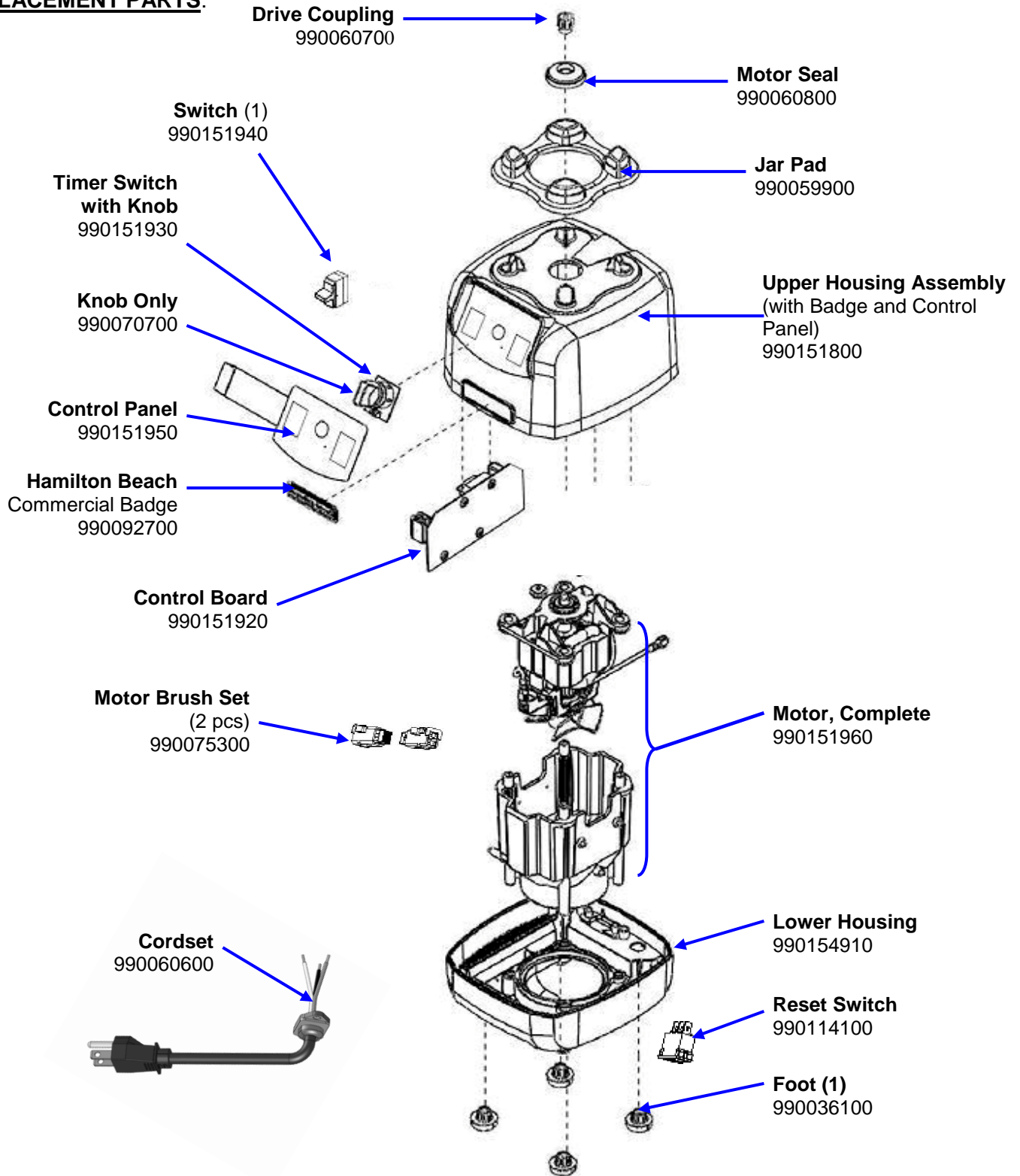


Parts & Accessories Diagram HBH550

PROPRIETARY RIGHTS NOTICE This document and all information contained within it is the property of Hamilton Beach Brands, Inc. (HBB). It is confidential and proprietary and has been provided to you for a limited purpose. It must be returned or destroyed upon request. Disclosure, reproduction or use of this document and any information contained within it, in full or in part, for any purpose is forbidden without the prior written consent of HBB. No photographs may be taken of any article fabricated or assembled from this document without the prior written consent of HBB.

REPLACEMENT PARTS:

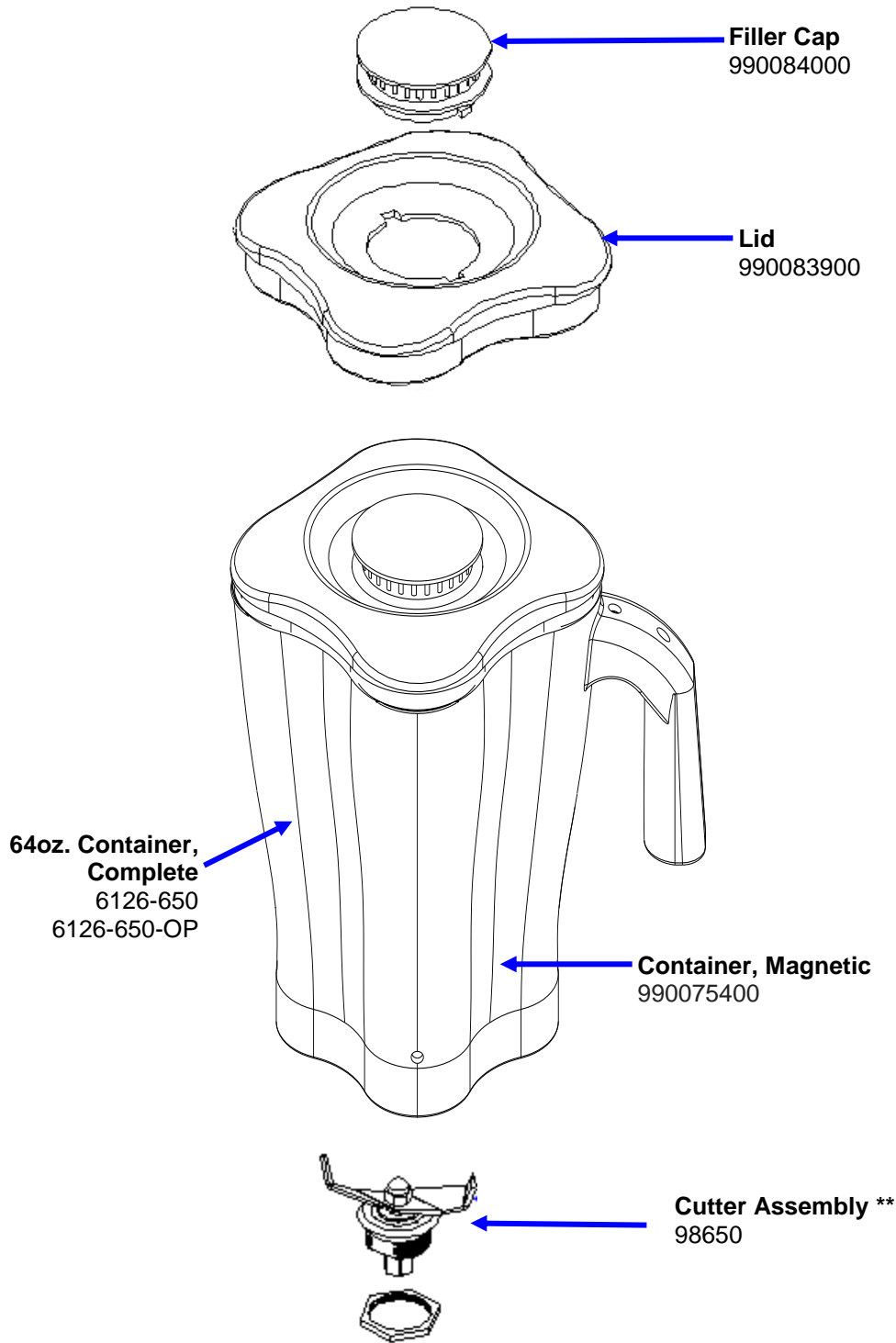


 Hamilton Beach 4421 Waterfront Drive Glen Allen, VA 23060	Revision Description:	Correct Lower Housing number				
	Request Number:	DOC4343	Revision Date:	12/19/13	Approved by:	DOC4343
	Issue Code(s):	L	Page:	1 of 3	Document #:	540044000
					Rev:	B


Parts & Accessories Diagram

HBH550

PROPRIETARY RIGHTS NOTICE This document and all information contained within it is the property of Hamilton Beach Brands, Inc. (HBB). It is confidential and proprietary and has been provided to you for a limited purpose. It must be returned or destroyed upon request. Disclosure, reproduction or use of this document and any information contained within it, in full or in part, for any purpose is forbidden without the prior written consent of HBB. No photographs may be taken of any article fabricated or assembled from this document without the prior written consent of HBB.



**Cutter Assembly Includes: Blade, Lock Washer, Hex Nut, Drive Coupling Attachment and Cutter Bearing Assembly.

 Hamilton Beach 4421 Waterfront Drive Glen Allen, VA 23060	Revision Description:		Correct Lower Housing number			
	Request Number:	DOC4343	Revision Date:	12/19/13	Approved by:	DOC4343
	Issue Code(s):	L	Page:	2 of 3	Document #:	540044000
					Rev:	B

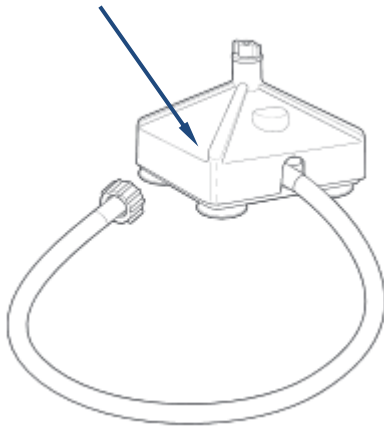
Parts & Accessories Diagram

HBH550

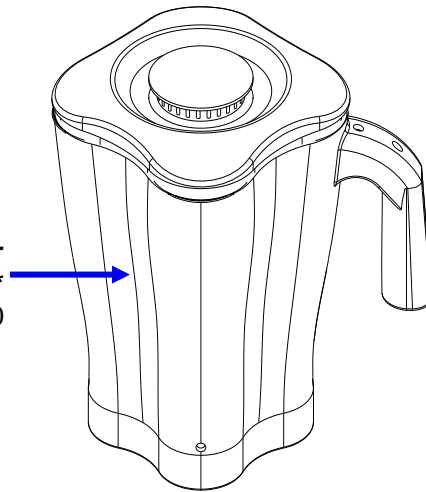
PROPRIETARY RIGHTS NOTICE This document and all information contained within it is the property of Hamilton Beach Brands, Inc. (HBB). It is confidential and proprietary and has been provided to you for a limited purpose. It must be returned or destroyed upon request. Disclosure, reproduction or use of this document and any information contained within it, in full or in part, for any purpose is forbidden without the prior written consent of HBB. No photographs may be taken of any article fabricated or assembled from this document without the prior written consent of HBB.

ACCESSORIES

Container Washer
BCR100




48oz. Container
Complete*
6126-600



Notes:

*Complete Container includes: Cutter Assembly, Container, Lid and Filler Cap

 4421 Waterfront Drive Glen Allen, VA 23060	Revision Description:		Correct Lower Housing number				
	Request Number:	DOC4343	Revision Date:	12/19/13	Approved by:	DOC4343	
	Issue Code(s):	L	Page:	3 of 3	Document #:	540044000	Rev: