

## CORRECTIONAL INSULATED HOT CABINET MODEL H-137-UA-9DZ

### FEATURES AND BENEFITS:

- Fully insulated hot cabinet keeps prepared foods at serving temperatures.
- Powerful, yet efficient, 1500 Watt heating system maintains the right temperature to properly hold products. Heats up to 200°F. (93°C.).
- Standard solid state electronic control with large, clear, easy-to-read and operate LED digital display to ensure holding at precise food temperature.
- Locking stainless steel and lexan security panel protects controls.
- Internal frame in body and doors maintains structural rigidity.
- Body constructed of non-corrosive, Hi-Tensile aluminum for strength and ease of mobility. One piece extended base protects cabinet body.
- Smooth interior coved corners prevent food particle/grease buildup.
- Safety-conscious anti-microbial handles protect against spreading germs.
- Self-closing insulated door prevent temperature loss; magnetic door gasket for proper seal. Field reversible for flexibility.
- Standard with right hand hinging; left hand hinging available upon request.
- Key locking anti-microbial magnetic door latch for "easy open"; positive catch with lock hasp secures door during transport.
- Recessed push/pull handles on both sides prevent damage to walls; allows easy maneuvering.
- Nine sets of stainless steel universal angles accommodate a large variety of pan sizes riveted on 4-1/2" centers.
- Heavy duty 5" swivel casters, two with brakes. Provides mobility when fully loaded.



H-137-UA-9DZ



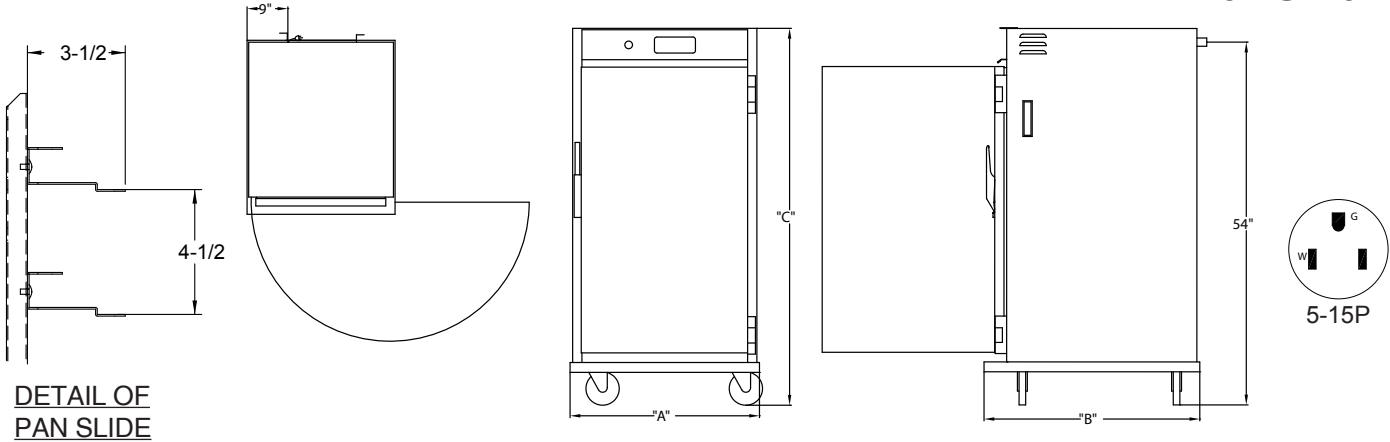
Standard solid state electronic control with large, clear, easy-to-read and operate LED digital display to ensure holding at precise food temperature

### ACCESSORIES and OPTIONS (Available at extra cost):

- Universal Angles Welded and Riveted
- Corner Bumpers
- Perimeter Bumper
- Various Caster Options
- 208 or 240 Volt Service
- HACCP Documentation (Built-in USB port)

See page B-20 for accessory details.

# H-137-UA-9DZ



| CRES COR MODEL NO. | PAN        |                |    | DIM "A" | DIM "B" | DIM "C" | INSIDE DIMENSIONS |        |        |     | WEIGHT ACT. |
|--------------------|------------|----------------|----|---------|---------|---------|-------------------|--------|--------|-----|-------------|
|                    | CAP/ANGLES | SIZE           |    | WIDTH   | DEPTH   | HEIGHT  | WIDTH             | DEPTH  | HEIGHT |     |             |
| H-137-UA-9DZ       | 9 SETS     | SEE NOTE BELOW | IN | 28-3/4  | 33-3/8  | 57-1/4  | 22                | 26-7/8 | 42-1/8 | LBS | 207         |
|                    |            |                | MM | 730     | 850     | 1455    | 560               | 685    | 1070   | KG  | 94          |

NOTES: 1. Pan sizes 22" x 20" (560 x 510) Roast & Bake Pans, 10" x 20" (255 x 510) Roast & Bake Pans, 18" x 26" (460 x 660) Bun Pans, 14" x 18" (355 x 460) Service Trays, 12" x 20" (305 x 510) Steam Table Pans.  
Refer to Pan Size Chart at end of section.

2. When ordering bumpers, add 2" to overall dimensions.  
ALL EXPOSED FASTENERS ARE TAMPER PROOF.

## CABINET:

- Body: .063 aluminum.
- Reinforcement: Internal framework of 18 ga. stainless steel.
- Insulation: Fiberglass, thermal conductivity (K factor) is .23 at 75°F. 1-1/2" in doors, top, base; 2" in sidewalls.
- Air tunnels: .063 aluminum; mounted on sides.
- Push/pull handles (2): 5" vertical; recessed.
- Interior coved corners.
- Cord wrap

## BASE:

- One piece construction, .125 aluminum.
- Casters: 5" dia., swivel, modulus tires, 1-1/4 wide, load cap. 250 lbs. each, temp. range -45°/+180°F. Delrin bearings. Front casters equipped with brakes.

## DOOR:

- Field reversible.
- Inner and outer: .063 aluminum.
- Latch: Chrome plated zinc, magnetic type with key lock handle.
- Positive transport latch with hasp lock.
- Hinges: 11 ga. stainless steel; Butt type.
- Gasket: Perimeter type, magnetic santoprene.
- Pan stop: Embossed.

## PAN SLIDES:

- Formed 16 ga. stainless steel angles.
- Riveted on 4-1/2" centers; removable with tools.

## ELECTRICAL COMPONENTS:

- Security panel: 18 ga. stainless steel with 3/16" polycarbonate window and key lock.
- Thermostat: Solid state digital display control, room ambient to 200°F (93°C).
- Switch: ON-OFF push button type.
- Power cord: Permanent, 10 ft., 14/3 ga.
- Heater: 1470 Watts.
- Blower motor.
- Vent fan.
- Thermometer: Digital.

## POWER REQUIREMENTS:

- 1500 Watts, 120 Volts, 60 Hz., single phase, 12 Amps., 15 Amp. service.

## SHORT FORM SPECIFICATIONS

Cres Cor Correctional Insulated Hot Cabinet Model H-137-UA-9DZ. Tamper proof fasteners. Solid state electronic controlled times and temperatures. Inner, outer and top liners of .063 aluminum; stainless steel internal frame. (9) sets stainless steel universal angles for multiple pan sizes, riveted on 4-1/2" centers. Field reversible door, made from .063 aluminum; key locking magnetic latch. Fiberglass insulation in sides 2"; door, top, base 1-1/2". Interior coved corners. Hose out cleaning capability. 1500 Watt, 120 Volt power unit. One piece base, .125 aluminum. 5" swivel modulus casters, Delrin bearings. Load capacity 250 lbs. each. 1-Year Parts / 90-Day Labor warranty. Provide the following accessories: \_\_\_\_ . NSF, CSA-US, CSA-C listed.



5925 Heisley Road • Mentor, OH 44060-1833  
Phone: 877/CRESCOR • Fax: 440/350-7267  
www.crescor.com

© Crescent Metal Products, Inc. 2014 All rights reserved.

*In line with its policy to continually improve its products, CRES COR reserves the right to change materials and specifications without notice.*

Litho in U.S.A.