

Project Name: \_\_\_\_\_ AIA#: \_\_\_\_\_

Model #: \_\_\_\_\_ Location: \_\_\_\_\_

SIS#: \_\_\_\_\_ Item #: \_\_\_\_\_ Quantity: \_\_\_\_\_



# 80 Quart Planetary Floor Mixer

*The Perfect Mix of Value,  
Performance & Durability*

*Features front mounted touch pad control  
panel with 60-minute digital timer!*



### Model

SP80PL

### Standard Features

- Powerful 3 HP custom built motor
- Gear-driven, high-torque transmission
- Heat-treated hardened steel alloy gears & shafts
- Four fixed speeds
- Oil bath transmission
- Thermal overload protection
- Front-mounted touch pad controls with 60-minute digital timer and last-batch recall
- Stainless steel, interlocking bowl guard with built-in fully welded ingredient chute
- Heavy duty bowl truck (pictured)
- Power bowl lift
- Rigid cast iron body
- Industry standard #12 attachment hub
- NSF approved enamel gray paint
- 6-foot cord and ground plug
- Automatic safety shut off, provides superior motor and transmission protection

### Standard Accessories/Attachments

- 80 qt stainless steel bowl (#304 series)
- Aluminum flat beater
- Stainless steel wire whip
- Aluminum spiral dough hook
- Non-slip rubber feet
- Bowl truck

### Warranty

- Two year parts and labor

### Optional Attachments/Accessories

- Vegetable slicer for #12 hub
- Shredder/grater for #12 hub
- Meat grinder for #12 hub
- Aileron (wing) whip
- 40 qt adapter kit
- 60 qt adapter kit
- Bowl scraper
- Correctional package
- Extended warranty

*To select options, see complete list on back*

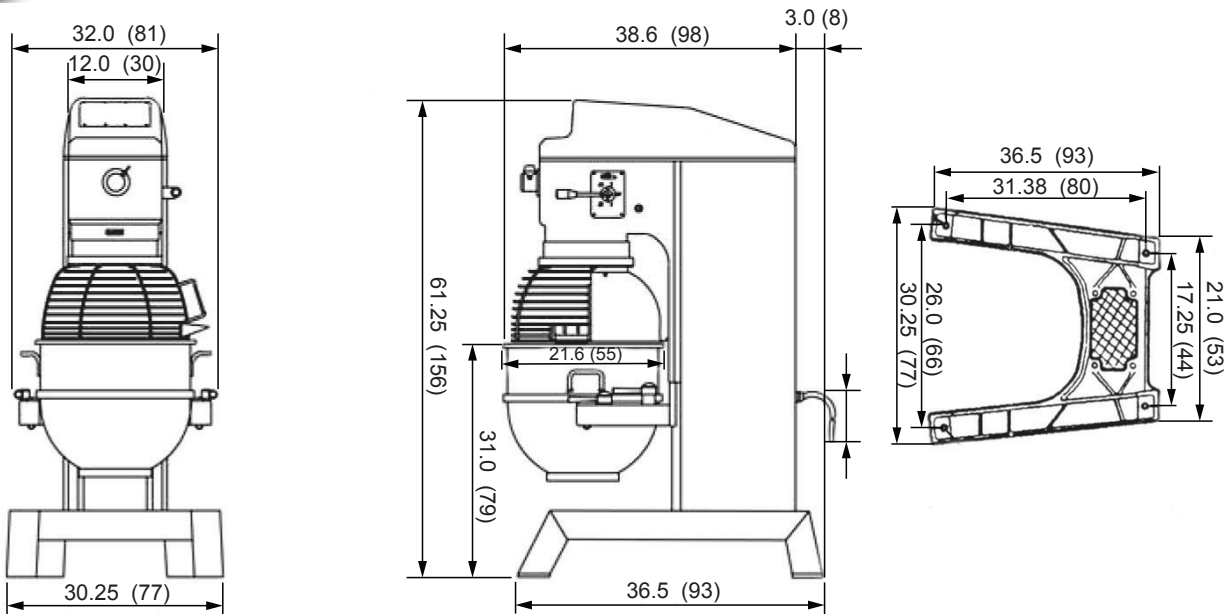


Approved by: \_\_\_\_\_ Date: \_\_\_\_\_



# 80 Quart Planetary Floor Mixer

# SP80PL



UNIT: INCHES (CM)

Drawings available through KCL at [www.kclcad.com](http://www.kclcad.com).

## SPECIFICATIONS

Model	Motor	Volts	Amps	Transmission Type	Capacity	Controls	Power Bowl Lift	Agitator Speeds (RPMs)		Attachment Speeds (RPMs)	
								First	Second	First	Second
SP80PL (3 Phase)	3 HP	208/60/3	12	Gear	80 qt 75.7 liter	Digital, front mounted timer & controls	1/8 HP Motor	60	105	67	118
								Third	Fourth	Third	Fourth
								176	310	198	349

## DIMENSIONS | SHIPPING INFORMATION

Cartons are reinforced for shipping. The weight and dimensions of this reinforced carton are included below and may vary from shipment to shipment. **This product ships on a pallet. Freight class 85.**

Model	Base Foot Print	Overall Dimensions	Net Weight	Shipping Dimensions	Shipping Weight
SP80PL	30.25" w x 36.5 d (77 cm x 93 cm)	30.25" w x 38.6" d x 62" h (77 cm x 98 cm x 156 cm)	1,003 lbs (455 kg)	48" w x 48" d x 76" h (122 cm x 122 cm x 193 cm)	1,270 lbs (575 kg)

Mixer is constructed of a rigid cast iron body with front-mounted controls and 60-minute digital timer with last-batch recall. Mixer has 3 HP custom built motor with overload protection and gear-driven, high torque permanently lubricated transmission consisting of heat-treated hardened steel alloy gears and shafts. Mixer comes with 80 qt. stainless steel bowl, aluminum flat beater, stainless steel wire whip, bowl truck, aluminum spiral dough hook and non-slip rubber feet. Interlocked with stainless steel bowl guard with fully welded ingredient chute. Mixer has #12 attachment hub and interlocked bowl lift. Mixer is NSF and ETL listed. Two year parts and labor warranty.

## OPTIONAL MIXER ACCESSORIES AND HUB ATTACHMENTS

- MIXER:**
- XXBOWL-80** 80 qt stainless steel (S/S) bowl
  - XXBEAT-80** Alum. flat beater
  - XXBEAT-80SS** S/S flat beater
  - XXHOOK-80** Alum. dough hook
  - XXWHIP-80** S/S wire whip
  - XXHDWHIP80-4** Heavy-duty 4 mm S/S wire whip
  - XXAWHIP-80** 80 qt aileron whip
  - XXSCRIP-80** scraper with mounting kit
  - XXACC40-80** Adapter kit - 40 qt bowl, hook, beater and whip
  - XXACC60-80** Adapter kit - 60 qt bowl, hook, beater and whip
- HUB:**
- XVSGH 9"** Slicer/Shredder/Grater housing only (no plates included-must select from plates listed on this sheet)
  - XASP** Adjustable slicing plate (for vegetables only)
  - XPH** Plate holder - \*only 1 required
- Shredding Plates:**
- XSP332\*** 3/32" (2.3 mm)
  - XSP316\*** 3/16" (4.7 mm)
  - XSP14\*** 1/4" (6.3 mm)
  - XSP516\*** 5/16" (7.9 mm)
  - XSP12\*** 1/2" (12.7 mm)
  - XGP\*** Grating plate
- XMCA-SS** Meat grinder assembly (Polished stainless steel cylinder, worm gear, ring, and s/s pan. Includes knife, 3/16" plate, and pusher)
  - XXCK** Chopper knife for XMCA-SS
- Chopper Plate Sizes Available:**
- CP02-12** 1/16" (2 mm)
  - CP04-12** 5/32" (4 mm)
  - CP05-12** 3/16" (5 mm)
  - CP06-12** 1/4" (6 mm)
  - CP08-12** 5/16" (8 mm)
  - CP10-12** 3/8" (10 mm)
  - CP12-12** 1/2" (12 mm)
  - CP14-12** 9/16" (14 mm)
- CP16-12** 5/8" (16 mm)
  - CP18-12** 11/16" (18 mm)
  - CP00-12** Stuffing plate\
  - XST12** 1/2" Stuffing tube (mutton)
  - XST34** 3/4" Stuffing tube (pork)
- FACTORY INSTALLED OPTION:**
- XXCORR-80** Correctional package, includes tamper resistant external fasteners.
- EXTENDED WARRANTY**
- SP-XDSPL** Extended warranty for SP80PL mixer, extends factory warranty to 3 years. **Available only at time of purchase.**