

Parts Catalog



C24HT

GAS COOKING EQUIPMENT

CHARBROILERS

MODELS: C24CB-SR & C36CB-SR

GRIDDLES

MODELS: C24GG & C36GG

HOT PLATES

MODELS: C12HT & C24HT

06-02-14

IMPORTANT!

TO EXPEDITE SHIPMENT OF PARTS, ALWAYS SPECIFY MODEL, REV,
PART NUMBER, AND SERIAL NUMBER OF SLICER.

GLOBE FOOD EQUIPMENT COMPANY

2215 East River Road
Dayton, Ohio 45439

Parts Department

Toll Free 1-800-745-6238 • Fax (937) 290-0585

E-Mail: info@globefoodequip.com

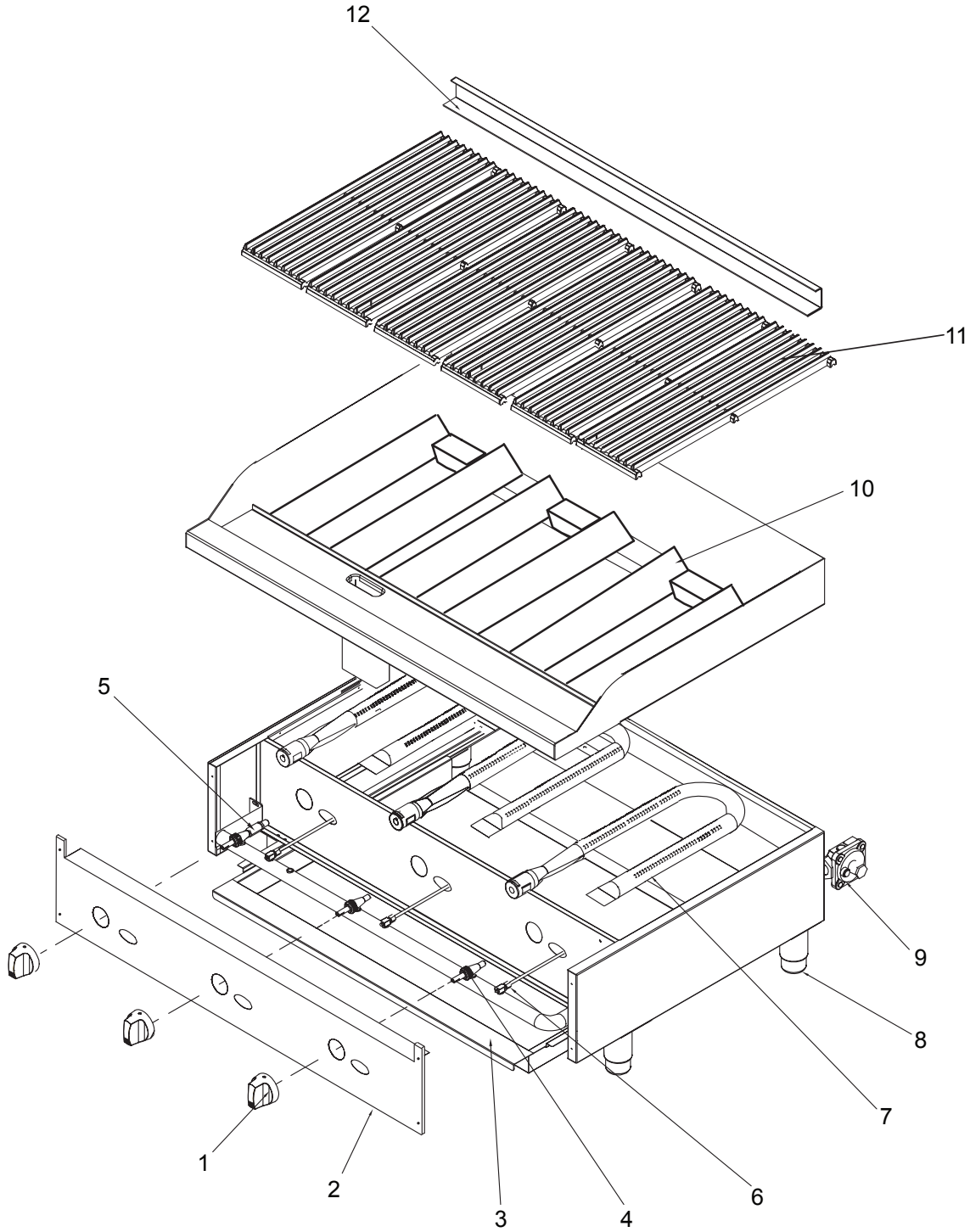
Website: www.globefoodequip.com

Not for resale

TABLE OF CONTENTS

	Page
Charbroiler Components	1 - 2
Griddle Components	3 - 4
Hot Plate Components	5 - 6

CHARBROILER COMPONENTS
SST Radiants Models: C24CB-SR & C36CB-SR



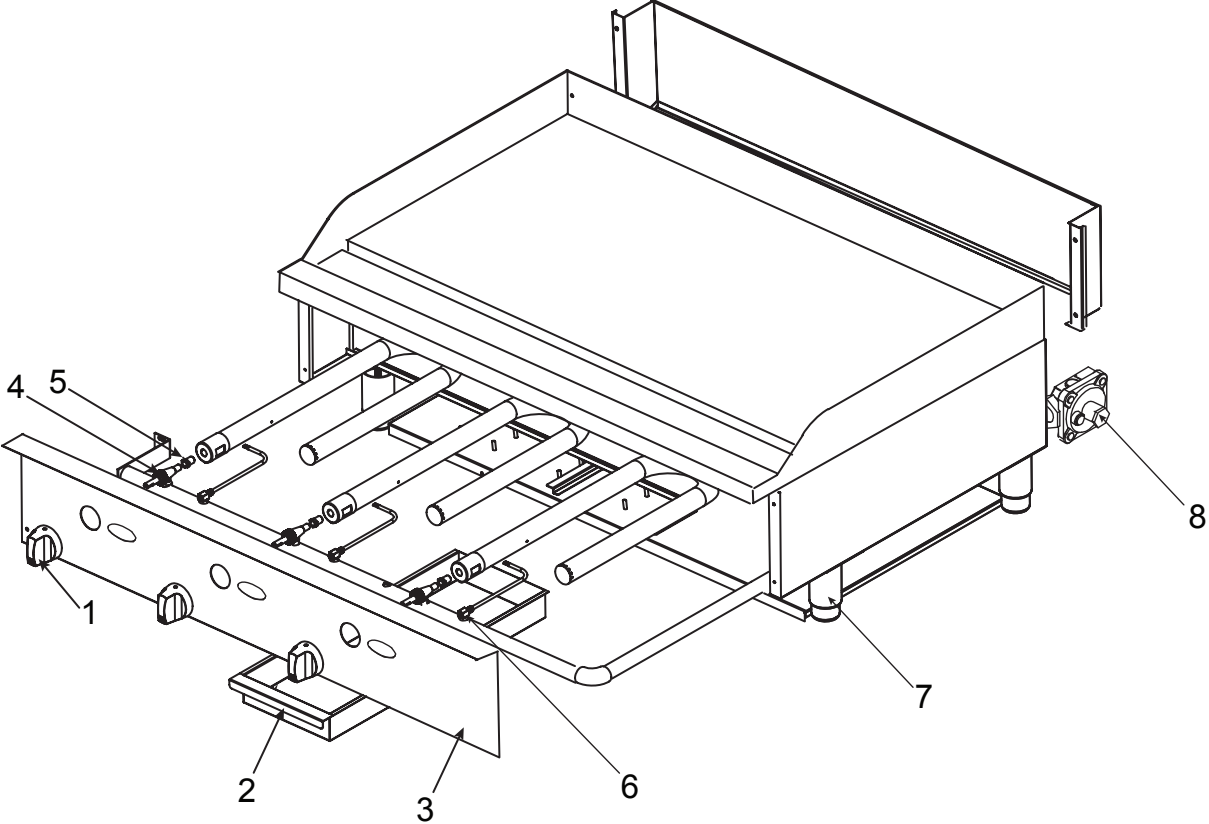
CHARBROILER PARTS LIST

SST Radiants Models: C24CB-SR & C36CB-SR

Item	Description	C24CB-SR	C36CB-SR	Qty	Standard Hardware
1	Control Knob	K00410		2, 3	
2	Panel, Front	K00422	K00423	1	
3	Drop Pan	K00426	K00427	1	
4	Valve, A18, Manual Gas	K00407		2, 3	
5	Orifice, #36 Natural Gas *	K00420		2, 3	
	Orifice, #49 LP Gas *	K00421		2, 3	
	Orifice, #38 Natural Gas *	K00627		2, 3	
	Orifice, #50 LP Gas *	K00412		2, 3	
	Orifice, #39 Natural Gas *	K00411		2, 3	
	Orifice, #50 LP Gas *	K00628		2, 3	
	Orifice, #40 Natural Gas *	K00630		2, 3	
	Orifice, #51 LP Gas *	K00631		2, 3	
	Orifice, #42 Natural Gas *	K00632		2, 3	
	Orifice, #51 LP Gas *	K00631		2, 3	
6	Pilot Valve AP7	K00408		2, 3	
7	Steel Burner Assy. "U" Shape	K00418		2, 3	
8	Adjustable Stainless Steel Feet	K00409		4	
9	Regulator	K00406		1	
10	Stainless Steel Radiant Plate	K00419		4, 6	
11	Grate, Cooking	K00417		4, 6	
12	Bracket, Grate	K00424	K00425	1	

* See Table 1. Gas Orifice Elevation

GRIDDLE COMPONENTS
Manual Controls Models: C24GG & C36GG



GRIDDLE COMPONENTS

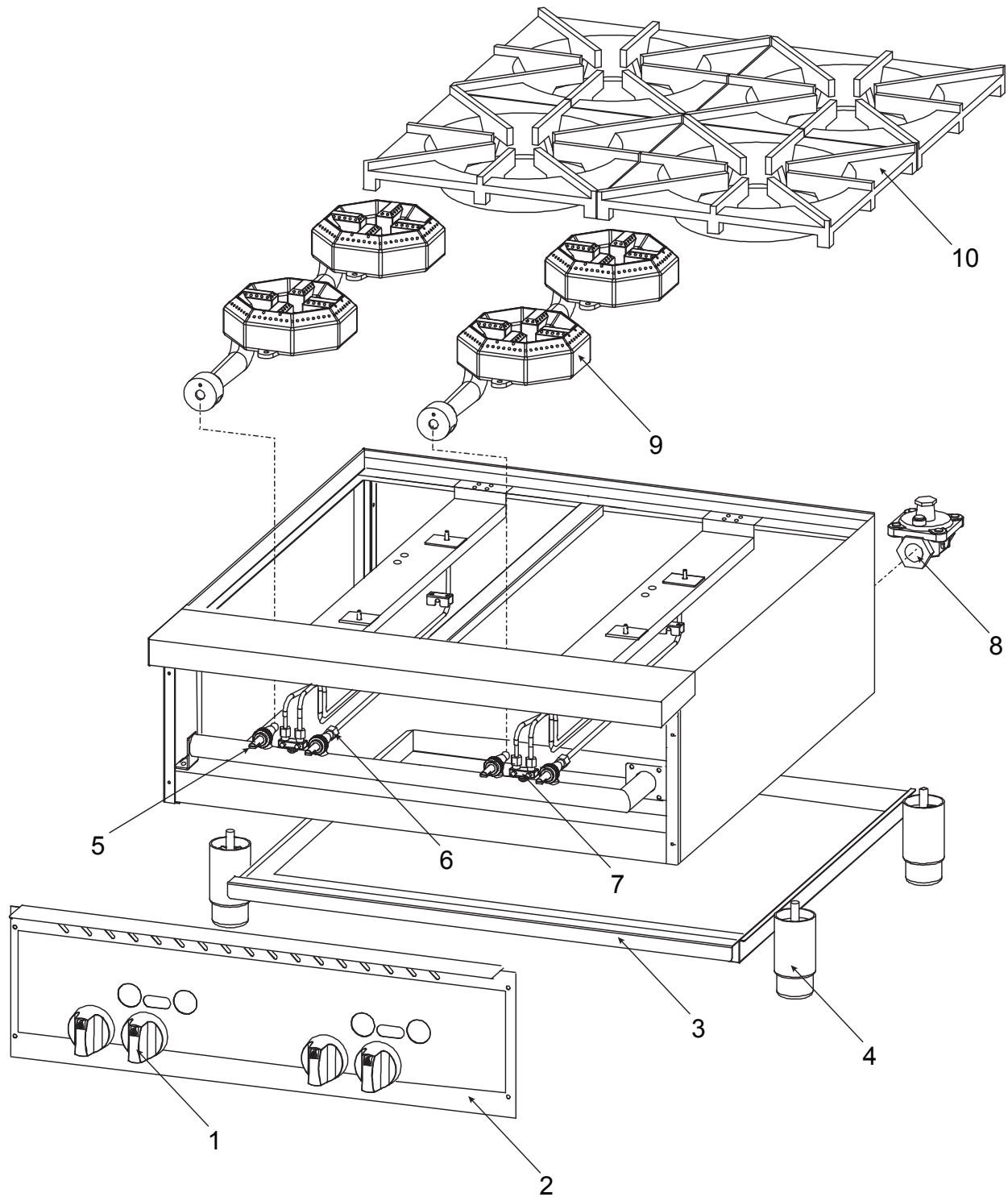
Manual Controls Models: C24GG & C36GG

Item	Description	C24GG	C36GG	Qty	Standard Hardware
1	Control Knob	K00410		2, 3	
2	Drop Pan 24" & 36" Griddle	K00415		1	
3	Front Panel	K00413	K00414	1	
4	Valve, A18, Manual Gas	K00407		2, 3	
5	Orifice, #39 Natural Gas *	K00411		2, 3	
	Orifice, #50 LP Gas *	K00412		2, 3	
	Orifice, #40 Natural Gas *	K00630		2, 3	
	Orifice, #51 LP Gas *	K00634		2, 3	
	Orifice, #41 Natural Gas *	K00635		2, 3	
	Orifice, #51 LP Gas *	K00631		2, 3	
	Orifice, #42 Natural Gas *	K00632		2, 3	
	Orifice, #52 LP Gas *	K00637		2, 3	
	Orifice, #44 Natural Gas *	K00638		2, 3	
	Orifice, #52 LP Gas *	K00637		2, 3	
6	Pilot Valve AP7	K00408		2, 3	
7	Adjustable Stainless Steel Feet	K00409		4	
8	Regulator	K00406		1	

* See Table 1. Gas Orifice Elevation

HOT PLATE COMPONENTS

Models: C12HT & C24HT



HOT PLATE COMPONENTS

Models: C12HT & C24HT

Item	Description	C12HT	C24HT	Qty	Standard Hardware
1	Control Knob	K00410		2, 4	
2	Front Panel	K00432	K00521	1	
3	Drop Pan	K00433	K00522	1	
4	Adjustable Stainless Steel Foot	K00409		4	
5	Valve, A18, Manual Gas	K00407		2, 4	
6	Orifice, #43 Natural Gas *	K00430		2, 4	
	Orifice, #53 LP Gas *	K00431		2, 4	
	Orifice, #44 Natural Gas *	K00638		2, 4	
	Orifice, #54 LP Gas *	K00641		2, 4	
	Orifice, #45 Natural Gas *	K00642		2, 4	
	Orifice, #54 LP Gas *	K00641		2, 4	
	Orifice, #46 Natural Gas *	K00645		2, 4	
	Orifice, #55 LP Gas *	K00643		2, 4	
	Orifice, #47 Natural Gas *	K00644		2, 4	
	Orifice, #55 LP Gas *	K00643		2, 4	
7	Pilot Valve AP6	K00626		1, 2	
8	Regulator	K00406		1	
9	Burner	K00428		2, 4	
10	Grate	K00429		2, 4	

* See Table 1. Gas Orifice Elevation

Table 1. Gas Orifice Elevation

Mode	Rated Input Per Burner (BTU/HR)	Elevation		Elevation	
Charbroilers	35000	0-2000 ft		2000-4000 ft	
		Nat	LP	Nat	LP
		K00420 (#36)	K00421 (#49)	K00627 (#38)	K00628 (#50)
		4000-6000 ft		6000-8000 ft	
		Nat	LP	Nat	LP
		K00411 (#39)	K00412 (#50)	K00630 (#40)	K00631 (#51)
		8000-10000 ft			
		Nat	LP		
		K00632 (#42)	K00631 (#51)		
		Griddle	30000	0-2000 ft	
Nat	LP			Nat	LP
K00411 (#39)	K00412 (#50)			K00630 (#40)	K00631 (#51)
4000-6000 ft				6000-8000 ft	
Nat	LP			Nat	LP
K00635 (#41)	K00631 (#51)			K00632 (#42)	K00637 (#52)
8000-10000 ft					
Nat	LP				
K00638 (#44)	K00637 (#52)				
Hot Plate	25000			0-2000 ft	
		Nat	LP	Nat	LP
		K00430 (#43)	K00431 (#53)	K00638 (#44)	K00641 (#54)
		4000-6000 ft		6000-8000 ft	
		Nat	LP	Nat	LP
		K00642 (#45)	K00641 (#54)	K00645 (#46)	K00643 (#55)
		8000-10000 ft			
		Nat	LP		
		K00644 (#47)	K00643 (#55)		

