



# BEVERAGE-AIR

Project: _____	AIA#
Item: _____	
Location: _____	SIS#
Approved: _____	

# GF48HC Bar Equipment: Glass and Plate Froster Series

## GF BAR EQUIPMENT

### GF48HC Glass and Plate Froster Hydrocarbon Series

**MODELS:**  
GF48HC-B  
GF48HC-S



**3 Year Parts/Labor Warranty**  
**Additional 4 Year Compressor Warranty**

### CABINET CONSTRUCTION

- Exterior is available in wear resistant vinyl on steel in black finish or stainless steel finish
- Standard interior construction utilizes galvanized steel
- Top includes easy glide, stainless steel lids and stainless steel counter top with edge
- Full electronic control
- Four (4) shelves and (2) two bottom racks standard
- Two (2) shelf ledges standard with three (3) mounting points
- Flexibility in design provides for plate storage and chilling
- Automatic defrost of coil is standard
- Built-in condensate evaporator system
- No floor drain or additional plumbing is needed

### OPTIONS & ACCESSORIES

- Stainless steel interior
- Locks
- Remote option\*  
(refrigerant must be specified at time of order, see note on back on page)

### REFRIGERATION SYSTEM

- Uses environmentally friendly, energy efficient R290 refrigerant, and meets all regulatory requirements for CARB, SNAP, DOE & more
- Adaptive defrost
- Epoxy coated evaporator coil
- Chills glasses and plates at -10°F



Please verify qualifying units by visiting:  
[www.energystar.gov/cfs](http://www.energystar.gov/cfs)

3779 Champion Blvd., Winston-Salem, NC 27105  
1-888-845-9800 Fax: 1-336-245-6453  
Beverage-Air.com Sales@bevair.com



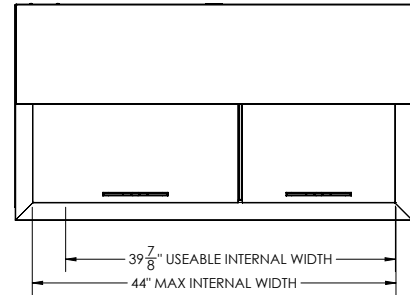
# BEVERAGE-AIR

MODEL	GF48HC
<b>EXTERNAL DIMENSIONAL DATA</b>	
Width Overall	48"
Depth Overall	26 1/8"
Height Overall	33 5/8"
Number of Lids	2
<b>INTERNAL DIMENSIONAL DATA</b>	
NET Capacity (cubic ft.)	9.65
Internal Useable Width Overall (in)	39 7/8"
Internal Depth Overall (in)	22"
Internal Height Overall (in)	18 5/8"
Number of Shelves	4
<b>ELECTRICAL DATA</b>	
Full Load Amperes	3.5
<b>REFRIGERATION DATA</b>	
Horsepower*	1/2
Capacity (BTU/Hr)*	1624
<b>SHIPPING DATA</b>	
Gross Weight - Crated	288 lbs
Height - Crated	30"
Width - Crated	52"
Depth - Crated	38"

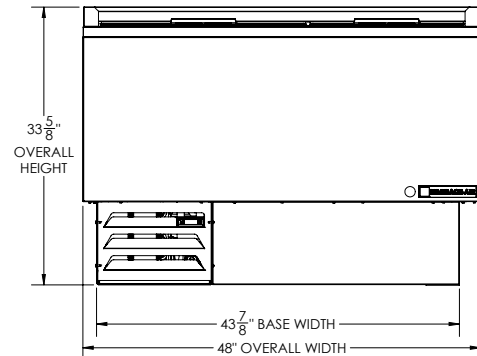
\*NOTE: Remote units are field wired and come with 6" legs.  
Refrigerant must be specified at time of order.

## Bar Equipment - Glass Froster Models: GF48HC

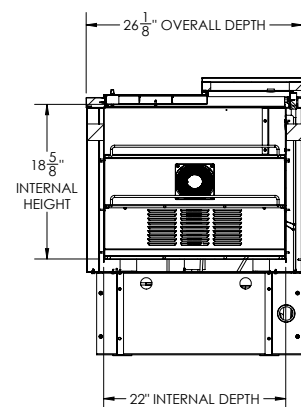
### Model Views



### PLAN VIEW



### ELEVATION VIEW



### SIDE VIEW



### \*ELECTRICAL CONNECTION

115/60/1  
NEMA 5-15P

Units pre-wired at factory and include 8' long cord and plug set.

3779 Champion Blvd., Winston-Salem, NC 27105 1-888-845-9800 Fax: 1-336-245-6453 Beverage-Air.com Sales@bevoir.com

an Ali Group Company



The Spirit of Excellence