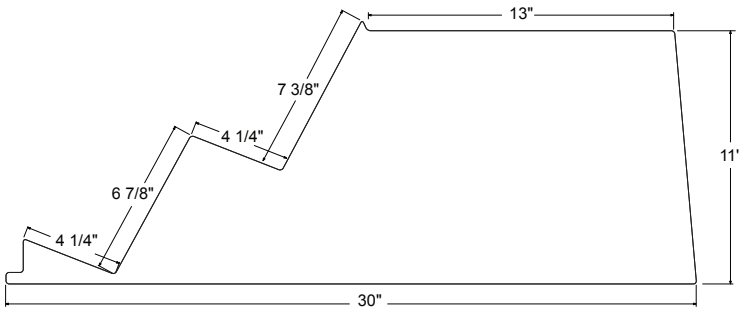


MRB-243011-17 ST

rectangular • riser • case foundation • 24" x 30" x 11"



MRB-243011-17 abs		
description		
Delfin Bulk Risers have long been the most popular in the industry. This particular unit has a step design to prominently display two rows of choice meat and cheese loaves. Durable ABS, open back for convenient storage, and unique front spacer tabs promote consistent cool air movement. Top shelf section accommodates trays or smaller bulk items.		
product category	case foundation	
line name	bulk	
quick description	riser	
shape	rectangular	
case pack	3	
dimensions		
specs	<i>us</i>	<i>metric</i>
length	24 in	61.0 cm
width	30 in	76.2 cm
height	11 in	27.9 cm
item capacity	-	-
max temp	198°C	92°C
material		
raw material	abs	
material durability	unbreakable	
surface material	virgin abs	
surface finish	textured	
surface hardness	high	
shipping		
specs	<i>us</i>	<i>metric</i>
case weight	22 lbs	9.9 kg
case length	30 in	76.2 cm
case width	24 in	60.96 cm
case height	18 in	45.72 cm
case cube	7.50 ft ³	0.21 m ³
case density	2.92 lbs/ft ³	46.43 kg/m ³
 NAFTA		
freight class	250	
tariff code	3926.90.9980	
finished good country of origin	Mexico	