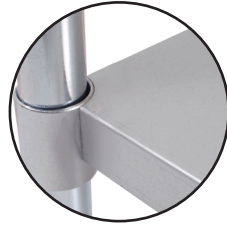


STAINLESS STEEL EQUIPMENT STAND



Fully Adjustable
Leg Collar

Item #: _____ Qty #: _____

Model #: _____

Project #: _____

30" WIDTH

L	Model	Approx. Wt.	Approx. Cu. Ft.
24"	6068060	37 lbs.	3
30"	—	—	—
36"	6068075	55 lbs.	4
48"	6068073	65 lbs.	5
60"	—	—	—
72"	—	—	—

FEATURES:

Top is furnished with 1 5/8" sanitary bull-nose rim on front; and square ends.

Two die formed hat channels are attached to underside of work table top to reinforce and maintain a level working surface.

Leg Collar at undershelf corner secures leg shelf to legs and is fully adjustable.

CONSTRUCTION:

All TIG welded. Exposed weld areas polished to match adjacent surface.

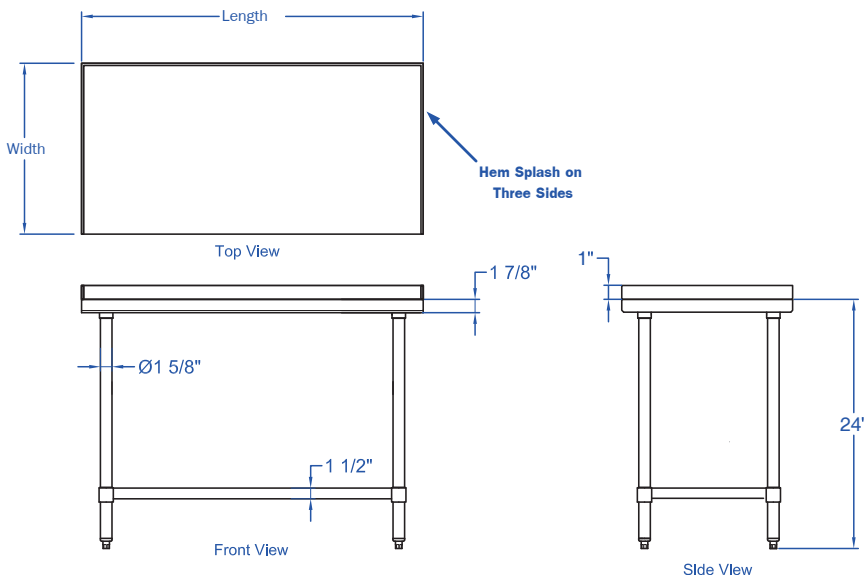
Top is sound deadened.

Die formed galvanized hat channels are secured to top by means of structural adhesive and weld studs.

Gussets welded to hat channels.

DETAILS and SPECIFICATIONS

ALL DIMENSIONS ARE TYPICAL



MATERIAL:

TOP: 16 Gauge Stainless Steel Type 400 Series

SHELF: 16 Gauge Stainless Steel with Gussets

LEGS: 1 5/8" Diameter Tubular Galvanized Steel