

## INSULATED HEATED STAINLESS STEEL BANQUET CABINET MODEL EB-64

### FEATURES AND BENEFITS:

- Fully insulated banquet cabinet designed to transport and hold (64) 11" plated covered meals.
- Supplied with four heavy-duty wire grid shelves spaced on 13-1/2" centers
- Bottom mounted power unit lifts out for easy cleaning.
- Standard 1500 Watts, 120 Volts, 15 Amps. Provides quick heat up to 200°F (93°C).
- Recessed push/pull handles on both sides prevent damage to walls; allows easy maneuvering.
- One piece welded base with perimeter bumper provides solid foundation to support heavy loads.
- Heavy duty 6" wheels, two swivel with brakes. Rolls easily, even over carpeted surfaces. Staggered mounting provides mobility when fully loaded especially over uneven surfaces.
- Multiple options and accessories to best fit your needs.
- Magnetic grease board included.



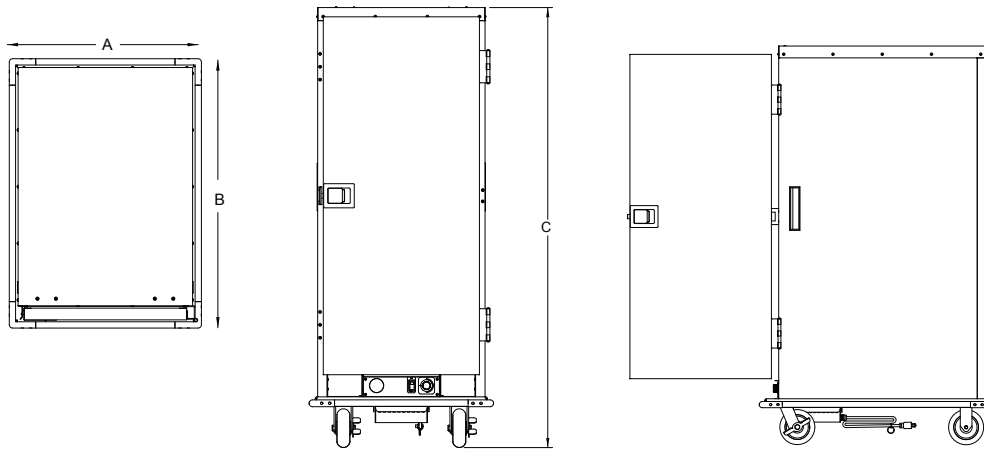
EB-64  
(Shown with accessory options)



### ACCESSORIES and OPTIONS (Available at extra cost):

- Gravity Transport Latch
- Humidity Pan
- Sterno Drawers
- Left Hand Hinged Door
- 6" Polyurethane Caster
- Adjustable Shelves
- Pigtail Coil Cord (120 Volt)
- 208/240 Volt Service

See page F-4 for accessory details.



CRES COR MODEL NO.	MEAL CAPACITY COVERED PLATE DIA.			DIM "A"	DIM "B"	DIM "C"	INSIDE DIMENSIONS*				WEIGHT ACT.	
	11"	12"	13"	WIDTH	DEPTH	HEIGHT	WIDTH	DEPTH	HEIGHT			
EB-64	64	48	32	28-5/8	30-5/16	68-5/16	IN	23	24-1/4	58-7/16	LB	260
				725	770	1735	MM	585	615	1485	KG	118

\*Door opening 23 X 54-3/8 (585 X 1380).  
Capacity based on covered plate dia. with nesting height of 3" for plate and cover.

**CABINET:**

- Body: 20 ga. stainless steel.
- Reinforcement: Internal framework of 14 ga. 300 series stainless steel.
- Insulation: Fiberglass, thermal conductivity (K factor) is .23 at 75°F. 1-1/2" in back wall, side walls, door; 2" in top.

**BASE:**

- One piece construction, .190 aluminum, welded.
- Casters: 6" dia., rubber tires, 2-1/8" wide, load cap. 350 lbs. each, temp. range -40°/+160°F. Zerk fittings in hub. Four swivel type, two equipped with brakes.
- Perimeter bumper: Gray, non-marking rubber, 1 x 1.

**DOORS:**

- Formed 20 ga. magnetic stainless steel.
- Latches: Polished stainless steel, slam type; mounted inboard.
- Door gaskets: Perimeter type, silicone.
- Hinges: 11 ga. stainless steel, butt type.

**SHELVES:**

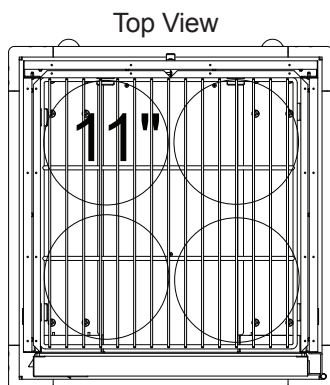
Four shelves. Each shelf made up of nickel chrome plated heavy duty wire grids. Shelves fixed on 13-1/2" (345 mm) centers. 13" clearance between shelves. 12" clearance for top shelf.

**HOT UNIT COMPONENTS:**

- Removable without tools.
- Body: Formed 20 ga. non-magnetic stainless steel
- Thermostat: Electro-mechanical, ambient to 200°F (93°C).
- Thermometer: Analog type.
- Switch: ON-OFF rocker type, lighted
- Power cord: Permanent, 10 ft., 14/3 ga. with molded plug.
- Heater (1): 1500 Watt.
- Blower motor.

**POWER REQUIREMENTS:**

- 1500 Watts, 120 Volts, 60 Hz., single phase, 13.8 Amps., 15 Amp. service.



11" Covered Plate Configuration stacked four shelves 4 plates high.

**SHORT FORM SPECIFICATIONS**

Cres Cor Heated Banquet Cart Model EB-64. Removable 20 ga. non-magnetic stainless steel bottom mounted power unit, 1500 Watts, 120 Volts, 60 Hz, single phase, 15 Amp service. Cabinet 20 ga. stainless steel, aluminized steel internal frame. Fiberglass insulation in sides 2", back, door and base 1-1/2". Recessed side push handles. Four fixed shelf positions with nickel chrome plated wire grids. Capacity 64 covered meals. Base one piece .190 aluminum, welded and finished, perimeter bumper. Six inch cushion balloon casters with zerk fittings. Load capacity 350 lbs. each. 2-Year parts / 1-Year labor warranty. Provide the following accessories: . CSA-US, CSA-C, CSA to NSF4 listed, ENERGY STAR Qualified.