



Item # \_\_\_\_\_  
Project \_\_\_\_\_  
Date \_\_\_\_\_



## Model # E29 Mini-Twin Premix Dispensers

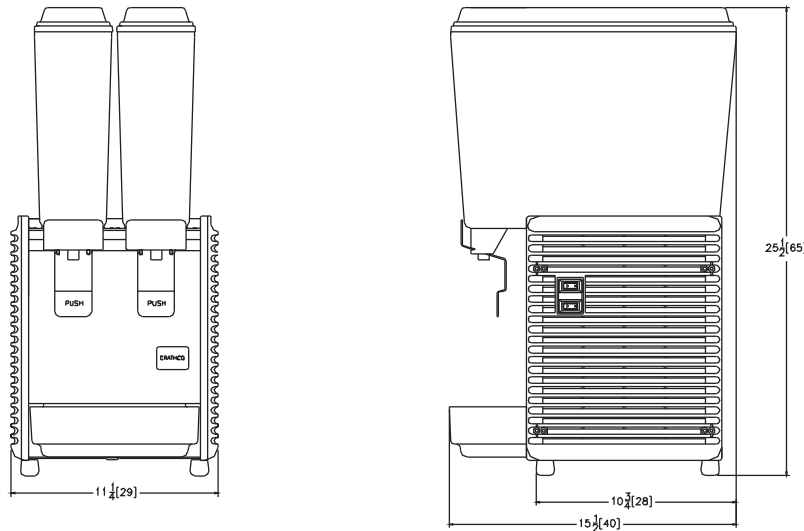
### Features

- Compact size saves valuable counter space
- Dispenses 2 flavors in less than one square foot
- Famous two-piece, stainless steel, dripless pouring valves are sanitary and easy to use and maintain
- Large capacity drip pan holds more
- Generous, yet compact, 9 liter (2.4 gallon) easy clean bowls
- Unique evaporator and high efficiency pump design cools faster and more efficiently for faster start-ups
- Superior engineering allows full beverage cooling right down to the last drink
- Modern styling, better design and more use of stainless steel allow easier cleaning and less maintenance
- Super-strong, virtually unbreakable polycarbonate bowls and covers give lasting durability
- Down-to-earth design engineering makes routine servicing easier and simpler
- Second-to-none quality control with "field condition" testing
- Agitators are included with each unit for fresh juices, coffees or teas
- World-wide sales and service assure customer satisfaction



# Crathco® Model # E29 Mini-Twin

## Premix Dispensers



Specifications	E29 (115V/ 60Hz)	E295 (230V/ 50Hz)	E296 (230V/ 60Hz)
# Bowls	2	2	2
Bowl Capacity (per bowl)	2.4 gallons (9L)	2.4 gallons (9L)	2.4 gallons (9L)
Refrigeration	1/6 hp	1/6 hp	1/6 hp
Volts / Hz / Amps	115V / 60Hz / 3.3Amp	230V / 50Hz / 1.7Amp / 391 Watts	230V / 60Hz / 1.7Amp / 391 Watts
Dimensions (H x W x D)	25-1/2" x 11-1/4" x 15-1/2" (65 cm x 29 cm x 40 cm)	25-1/2" x 11-1/4" x 15-1/2" (65 cm x 29 cm x 40 cm)	25-1/2" x 11-1/4" x 15-1/2" (65 cm x 29 cm x 40 cm)
Ship Dimensions (2 Boxes) (H x W x D)	Base: 22 1/4" x 16 1/4" x 15 1/4" 57cm x 41cm x 39cm Bowl: 26 1/8" x 19 5/8" x 9 1/2" 66cm x 50cm x 24cm	Base: 22 1/4" x 16 1/4" x 15 1/4" 57cm x 41cm x 39cm Bowl: 26 1/8" x 19 5/8" x 9 1/2" 66cm x 50cm x 24cm	Base: 22 1/4" x 16 1/4" x 15 1/4" 57cm x 41cm x 39cm Bowl: 26 1/8" x 19 5/8" x 9 1/2" 66cm x 50cm x 24cm
Ship Weight	56 lbs (base: 45, bowls: 11) 25.4 kg (base: 20.4, bowls: 5)	56 lbs (base: 45, bowls: 11) 25.4 kg (base: 20.4, bowls: 5)	56 lbs (base: 45, bowls: 11) 25.4 kg (base: 20.4, bowls: 5)
Cup Height	8" (20 cm)	8" (20 cm)	8" (20 cm)
Listings	UL, NSF, CUL	NSF, CE	NSF, CE

Options*	Mini-Twin Models
Side panels & drip trays	-3 Stainless steel material (additional charge), -4 off-white high impact plastic (standard - no additional charge)
Valve cap (part# 2039)	Improves sealing of valve when using pulpy products
Valve locking box (part# 2502) (use w/ standard handle)	Secures the valve from dispensing during off-hours - not to be used with non-contact handle
Liquid Auto Fill (part# 90295)	Ensures proper product and mixing consistency, maintains optimum product level in bowls, eliminates need for frequent manual mixing
Low Foam Impeller (part# 3709)	Use with iced tea and milk based drinks to minimize foaming

\*Extra cost for options listed above

Specifications are subject to improvement or change without notice.

Ask about the Grindmaster Corporation's line of Coffee Grinders, Coffee Brewers, Coffee Urns, Coffee Shuttles, Coffee Grinderbrewers, Espresso Grinders, Espresso Brewers, Beverage Dispensers, Granita Machines and Beverage Freezers.



Tel (502) 425-4776 • Fax (502) 425-4664 • 1-800-695-4500 (USA & Canada only)  
P.O. Box 35020 • Louisville, KY 40232 • USA  
www.gmcw.com • email: info@gmcw.com