

CRATHCO® CLASSIC BUBBLERS®

STANDARD SINGLE

Project

Date

Models

D15-3

D15-4

D155-3

D155-4

D156-3

D156-4

Item #

Quantity



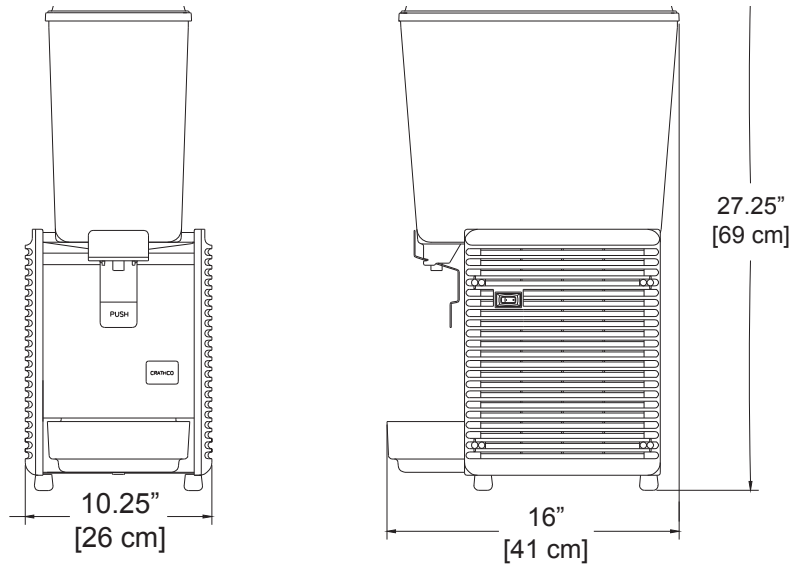
Model D15-3

Features

- Pre-mix dispenser with two-piece, stainless steel, dripless pouring valves are sanitary and easy to use and maintain.
- Better design and more stainless steel allow easier cleaning and less maintenance.
- Large, 5 gallon (18.9 L) bowl with easy-to-read measuring marks.
- Super-strong, virtually unbreakable polycarbonate bowls and covers for lasting durability.
- All models are certified NSF / ANSI 20-safe for milk.
- Unique evaporator and high efficiency pump cools faster and more efficiently for quick start-up.
- Along with spray circulation, agitators are included with each unit for fresh juices, coffees, or tea.
- Superior engineering allows full beverage cooling to the dispense point, and right down to the last drink.
- Cup height 8.25" (20.5 cm).
- Temperature range from 35 - 41°F (1.1 - 5° C).
- 1/6 hp refrigeration.

CRATHCO® CLASSIC BUBBLERS®

STANDARD SINGLE



NSF-20



Model D15 represented

MODEL	DESCRIPTION	ELECTRICAL	PRODUCT DIMENSIONS (H X W X D)	SHIPPING DIMENSIONS (H X W X D)
D15-3* Base: (5619) Bowl: (5111)	1 Bowl: Stainless steel side panels and drip tray	115V / 0.34 kW 2.8A / 1 Ph	27.25" x 10.25" x 16" (69 cm x 26 cm x 41 cm)	Base: 15.5" x 13.5" x 13.5" (39 cm x 34 cm x 34 cm) Bowl: 8.5" x 14" x 15.5" (22 cm x 36 cm x 39 cm)
D15-4* Base: (5620) Bowl: (5121)	1 Bowl: Plastic side panels and drip tray	115V / 0.34 kW 2.8A / 1 Ph	27.25" x 10.25" x 16" (69 cm x 26 cm x 41 cm)	Base: 15.5" x 13.5" x 13.5" (39 cm x 34 cm x 34 cm) Bowl: 8.5" x 14" x 15.5" (22 cm x 36 cm x 39 cm)
D155-3 Base: (5838) Bowl: (5111)	1 Bowl: Stainless steel side panels and drip tray	220-240V 50 Hz / 2A	27.25" x 10.25" x 16" (69 cm x 26 cm x 41 cm)	Base: 15.5" x 13.5" x 13.5" (39 cm x 34 cm x 34 cm) Bowl: 8.5" x 14" x 15.5" (22 cm x 36 cm x 39 cm)
D155-4 Base: (5839) Bowl: (5121)	1 Bowl: Plastic side panels and drip tray	220-240V 50 Hz / 2A	27.25" x 10.25" x 16" (69 cm x 26 cm x 41 cm)	Base: 15.5" x 13.5" x 13.5" (39 cm x 34 cm x 34 cm) Bowl: 8.5" x 14" x 15.5" (22 cm x 36 cm x 39 cm)
D156-3 Base: (5808) Bowl: (5111)	1 Bowl: Stainless steel side panels and drip tray	220-240V 60 Hz / 2A	27.25" x 10.25" x 16" (69 cm x 26 cm x 41 cm)	Base: 15.5" x 13.5" x 13.5" (39 cm x 34 cm x 34 cm) Bowl: 8.5" x 14" x 15.5" (22 cm x 36 cm x 39 cm)
D156-4 Base: (5851) Bowl: (5121)	1 Bowl: Plastic side panels and drip tray	220-240V 60 Hz / 2A	27.25" x 10.25" x 16" (69 cm x 26 cm x 41 cm)	Base: 15.5" x 13.5" x 13.5" (39 cm x 34 cm x 34 cm) Bowl: 8.5" x 14" x 15.5" (22 cm x 36 cm x 39 cm)

Ship Weight (in two boxes): Total: 46 lbs. (20.9 kg)

Base: 37 lbs. (16.8 kg) **Bowl:** 9 lbs. (4.1 kg)

***Electrical:** NEMA 5-15P line cord included.

Refrigeration: 134A

OPTIONS

Valve Cap (2039) - Improves sealing of valve when using pulpy product.

Valve Locking Box (2502) - Secures the valve from dispensing during off-hours - not to be used with non-contact handle.

Shipboard Kit (5925) - Makes unit safer for installation aboard marine vessel; only available for use with agitator

Large Milk Fat Impeller (1161M) - (blue) Use with dairy products, and/or products with heavy pulp.

Standard MCX Mag Drive Impellers (3587) - (black) Use with juices and water.

MCX Mag Drive Low Foam Impellers (3709) - (black with blue center) Use with products that create foam, such as teas and lemonades.

Condensation Cover (3657) - Direct and conceal condensation in high humidity or outdoor locations.

Security Kit (2509) - Use with D15 models.

Grindmaster™ 4003 Collins Lane, Louisville, KY 40245 USA

Tel: +1.502.425.4776 / 800.695.4500 (USA & Canada only) • Fax: +1.502.425.4664 • www.grindmaster.com

© 2020 Grindmaster™ PRINTED IN USA | 0918 Form # CC-274-07