

### SHORT SERIES™ DIRECT STEAM KETTLES

35" RIM HEIGHT, STATIONARY  
 FULL STEAM JACKETED  
 40 or 60 GALLONS (150 or 225 LITERS)

- MODELS:**  KDL-40-TSH  
 KDL-60-TSH  
 KDL-80-TSH

#### Cleveland Standard Features

- Support Legs with level adjustable feet, flanged for floor bolting.
- Type 304 Stainless Steel construction, with #4 finish on kettle and supports.
- Tilting Mechanism with permanently lubricated, Self-locking, Worm Drive of space saving design.
- 50 psi Steam Jacket Rating
- 50 psi Chrome - Plated Safety Valve.
- Large pouring lip for easier, faster, pouring. Heavy-duty Rolled Rim design provides strong reinforcement, prevents damages from abuse.
- Condensate Drain Valve with insulated handle.
- Steam Control Inlet Valve.
- Typical approvals include NSF and ASME.

#### Options & Accessories

- 316 Stainless Steel Liner (316)
- 2" Tangent Draw-Off Valve (TD2)
- Kettle Markings (KM)
- Spring Assist Cover (CHS)
- Lift Off Cover (CL)
- Basket Strainer (BS)
- Measuring Strip (MS)
- Food Strainer (FS)
- Factory Installed Steam Control Kit, consisting of a Steam Trap, condensate Strainer and Check Valve. (SCK1)
- Hot and cold water faucet (DPK), or cold water (SPK). Requires faucet bracket (FBKT)
- Pan Carriers (PCK)
- Kettle Accessory Kit (KAK)
- Tri-Basket Strainer Support System (TBS)
- Pressure Reducing Valve for regulating incoming steam pressure over 45psi (PRVK)
- Correctional Packages
- Heat Deflector Shield (HS001)

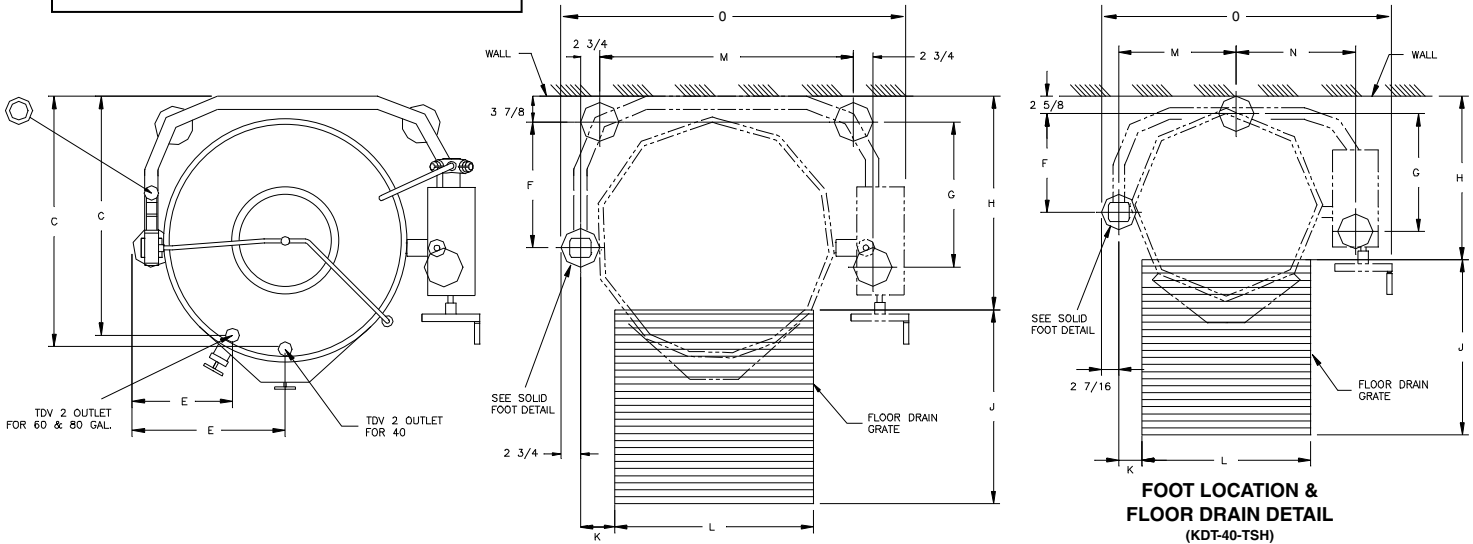


Shown with optional Spring Assisted Cover and 2" Tangent Draw-Off Valve

#### Short Form Specifications

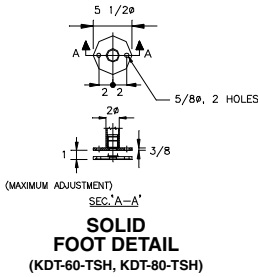
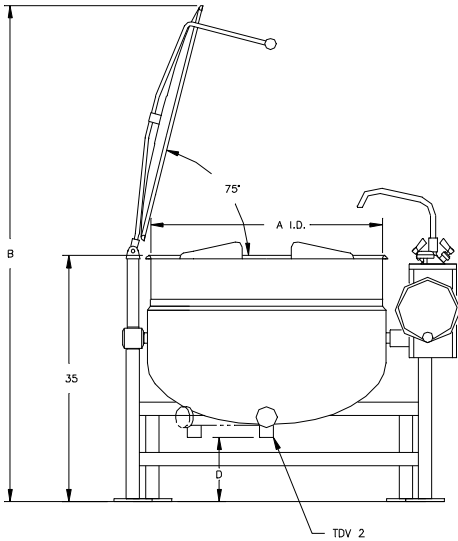
Cleveland Direct Steam Tilting Kettle, Model KDL-\_\_\_-TSH, 35" rim height. Type 304 Stainless Steel and Supports. Fully Steam Jacketed, 50 psi Steam Jacket Rating; heavy re-enforced Rolled Rim. Tri-Leg Type with adjustable Flanged Feet.

**CAPACITIES:** (in 8 oz. servings,  
other sizes may be calculated.)  
40 Gallon / 150 liters . . . 640 servings  
60 Gallon / 225 liters . . . 960 servings  
80 Gallon / 300 liters . . . 1280 servings

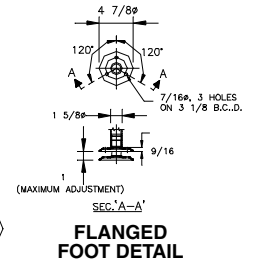


**FOOT LOCATION & FLOOR DRAIN DETAIL**  
(KDT-60-TSH, KDT-80-TSH)

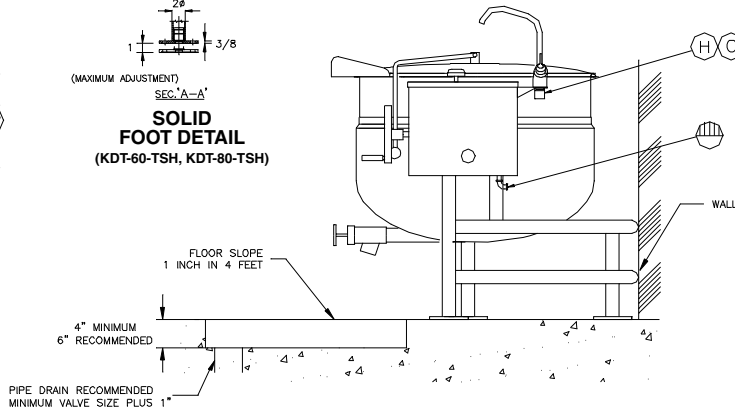
**FOOT LOCATION & FLOOR DRAIN DETAIL**  
(KDT-40-TSH)



**SOLID FOOT DETAIL**  
(KDT-60-TSH, KDT-80-TSH)



**FLANGED FOOT DETAIL**  
(KDT-40-TSH)



**DIMENSIONS**

DWG. NO.	KETTLE	A	B	C	D	E	F	G	H	J	K	L	M	N	O
KE95564-1	KDL-40-TSH	29 1/2	68 1/4	33 3/8	13 1/4	19 5/8	16	18 3/4	26 5/8	28	3 1/4	28	18 1/2	18 3/4	45 1/2
KE95564-2	KDL-60-TSH	33	70 3/4	31 5/8	9 1/2	21 5/8	17 7/8	20 5/8	27 5/8	30	4	30	35 1/4	N/A	48 5/8
KE95564-3	KDL-80-TSH	35 1/2	76 1/4	38	7	13	18 3/4	21 1/2	30 5/8	30	4 1/4	32	37 3/4	N/A	51 1/2

**NOTES:**  
1. ALL VERTICAL DIMENSIONS SHOWN ARE MINIMUM. FEET ARE ADJUSTABLE TO 1 INCH MAXIMUM.

**SPECIFICATIONS**

MODEL	STEAM JACKET RATING			DIRECT STEAM	CONDENSATE RETURN	APPROVALS				CLEARANCE:	SHIPPING WEIGHT	
	35 PSI	50 PSI	100 PSI			UL	CSA	NSF	CE			
KDL-40-TSH				3/4" NPT	1/2" NPT					RIGHT: 4 INCHES HANDLE CLEARANCE LEFT: 0 INCHES REAR: 0 INCHES	345 Lbs	
KDL-60-TSH	N/A	STANDARD	OPTIONAL									405 Lbs
KDL-80-TSH												460 Lbs

**UTILITIES**

- ☉ STEAM IN - 3/4 NPT
- Ⓜ HOT WATER FAUCET 1/2" COPPER TUBE
- ⓐ COLD WATER FAUCET 1/2" COPPER TUBE
- Ⓢ CONDENSATE RETURN - 1/2 NPT

**NOTES:**  
Cleveland Range reserves right of design improvement or modification, as warranted.  
Many regional, state and local codes exist and it is the responsibility of the owner and installer to comply with the codes.  
Installation of backflow preventers, vacuum breakers and other specific coder requirements is the responsibility of the owner and installer.  
Cleveland Range equipment is built to comply with applicable standards for manufacturers. Included among those approval agencies are U.L., A.G.A., NSF, ASME/N.Bd., CSA, CGA, ETL and others.

(NOT TO SCALE)  
SECT. X PAGE 22  
0609  
Litho in U.S.A.