
BUNN®

VP17 Series

*Supersedes Illustrated Parts Catalogs:
10861.0000 & 10861.0001*



ILLUSTRATED PARTS CATALOG

Designs, materials, weights, specifications, and dimensions for equipment or replacement parts are subject to change without notice.

BUNN-O-MATIC CORPORATION
POST OFFICE BOX 3227
SPRINGFIELD, ILLINOIS 62708-3227
PHONE: (217) 529-6601 FAX: (217) 529-6644



BUNN-O-MATIC COMMERCIAL PRODUCT WARRANTY

Bunn-O-Matic Corp. ("BUNN") warrants equipment manufactured by it as follows:

- 1) Airpots, thermal carafes, decanters, GPR servers, iced tea/coffee dispensers, MCP/MCA pod brewers thermal servers and Thermofresh servers (mechanical and digital)- 1 year parts and 1 year labor.
- 2) All other equipment - 2 years parts and 1 year labor plus added warranties as specified below:
 - a) Electronic circuit and/or control boards - parts and labor for 3 years.
 - b) Compressors on refrigeration equipment - 5 years parts and 1 year labor.
 - c) Grinding burrs on coffee grinding equipment to grind coffee to meet original factory screen sieve analysis - parts and labor for 4 years or 40,000 pounds of coffee, whichever comes first.

These warranty periods run from the date of installation BUNN warrants that the equipment manufactured by it will be commercially free of defects in material and workmanship existing at the time of manufacture and appearing within the applicable warranty period. This warranty does not apply to any equipment, component or part that was not manufactured by BUNN or that, in BUNN's judgment, has been affected by misuse, neglect, alteration, improper installation or operation, improper maintenance or repair, non periodic cleaning and descaling, equipment failures related to poor water quality, damage or casualty. In addition, the warranty does not apply to replacement of items subject to normal use including but not limited to user replaceable parts such as seals and gaskets. This warranty is conditioned on the Buyer 1) giving BUNN prompt notice of any claim to be made under this warranty by telephone at (217) 529-6601 or by writing to Post Office Box 3227, Springfield, Illinois 62708-3227; 2) if requested by BUNN, shipping the defective equipment prepaid to an authorized BUNN service location; and 3) receiving prior authorization from BUNN that the defective equipment is under warranty.

THE FOREGOING WARRANTY IS EXCLUSIVE AND IS IN LIEU OF ANY OTHER WARRANTY, WRITTEN OR ORAL, EXPRESS OR IMPLIED, INCLUDING, BUT NOT LIMITED TO, ANY IMPLIED WARRANTY OF EITHER MERCHANTABILITY OR FITNESS FOR A PARTICULAR PURPOSE. The agents, dealers or employees of BUNN are not authorized to make modifications to this warranty or to make additional warranties that are binding on BUNN. Accordingly, statements by such individuals, whether oral or written, do not constitute warranties and should not be relied upon.

If BUNN determines in its sole discretion that the equipment does not conform to the warranty, BUNN, at its exclusive option while the equipment is under warranty, shall either 1) provide at no charge replacement parts and/or labor (during the applicable parts and labor warranty periods specified above) to repair the defective components, provided that this repair is done by a BUNN Authorized Service Representative; or 2) shall replace the equipment or refund the purchase price for the equipment.

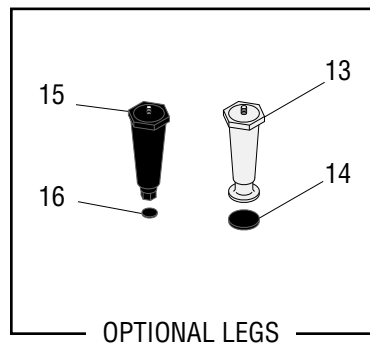
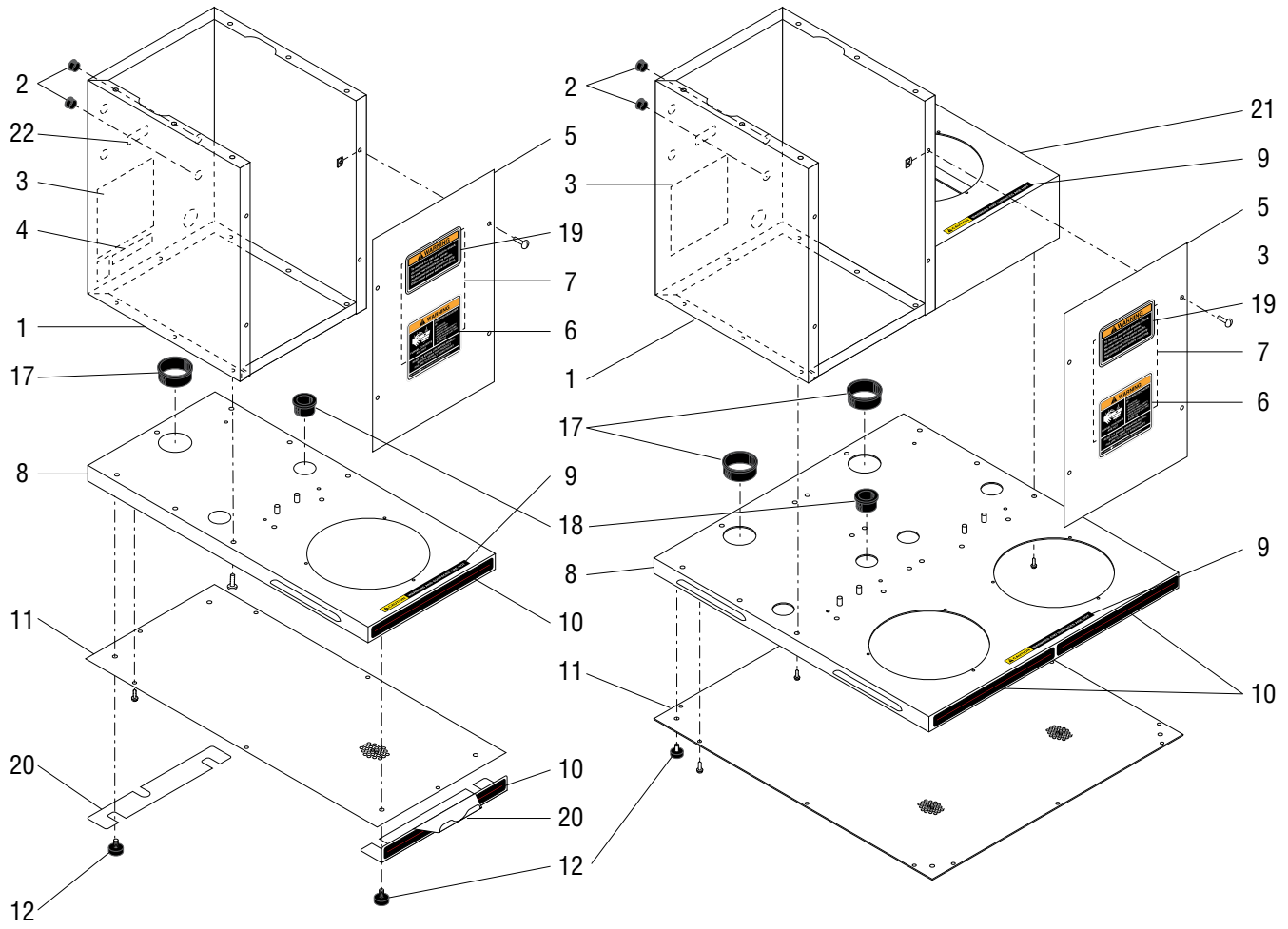
THE BUYER'S REMEDY AGAINST BUNN FOR THE BREACH OF ANY OBLIGATION ARISING OUT OF THE SALE OF THIS EQUIPMENT, WHETHER DERIVED FROM WARRANTY OR OTHERWISE, SHALL BE LIMITED, AT BUNN'S SOLE OPTION AS SPECIFIED HEREIN, TO REPAIR, REPLACEMENT OR REFUND.

In no event shall BUNN be liable for any other damage or loss, including, but not limited to, lost profits, lost sales, loss of use of equipment, claims of Buyer's customers, cost of capital, cost of down time, cost of substitute equipment, facilities or services, or any other special, incidental or consequential damages.

392, A Partner You Can Count On, Air Infusion, AutoPOD, AXIOM, BrewLOGIC, BrewMETER, Brew Better Not Bitter, BrewWISE, BrewWIZARD, BUNN Espresso, BUNN Family Gourmet, BUNN Gourmet, BUNN Pour-O-Matic, BUNN, BUNN with the stylized red line, BUNNlink, Bunn-O-Matic, Bunn-O-Matic, BUNNserve, BUNNSERVE with the stylized wrench design, Cool Froth, DBC, Dr. Brew stylized Dr. design, Dual, Easy Pour, EasyClear, EasyGard, FlavorGard, Gourmet Ice, Gourmet Juice, High Intensity, iMIX, Infusion Series, Intellisteam, My Café, Phase Brew, PowerLogic, Quality Beverage Equipment Worldwide, Respect Earth, Respect Earth with the stylized leaf and coffee cherry design, Safety-Fresh, savemycoffee.com, Scale-Pro, Silver Series, Single, Smart Funnel, Smart Hopper, SmartWAVE, Soft Heat, SplashGard, The Mark of Quality in Beverage Equipment Worldwide, ThermoFresh, Titan, trifecta, Velocity Brew, Air Brew, Beverage Bar Creator, Beverage Profit Calculator, Brew better, not bitter., BUNNSource, Coffee At Its Best, Cyclonic Heating System, Daypart, Digital Brewer Control, Element, Nothing Brews Like a BUNN, Pouring Profits, Signature Series, Tea At Its Best, The Horizontal Red Line, Ultra are either trademarks or registered trademarks of Bunn-O-Matic Corporation. The commercial trifecta® brewer housing configuration is a trademark of Bunn-O-Matic Corporation.

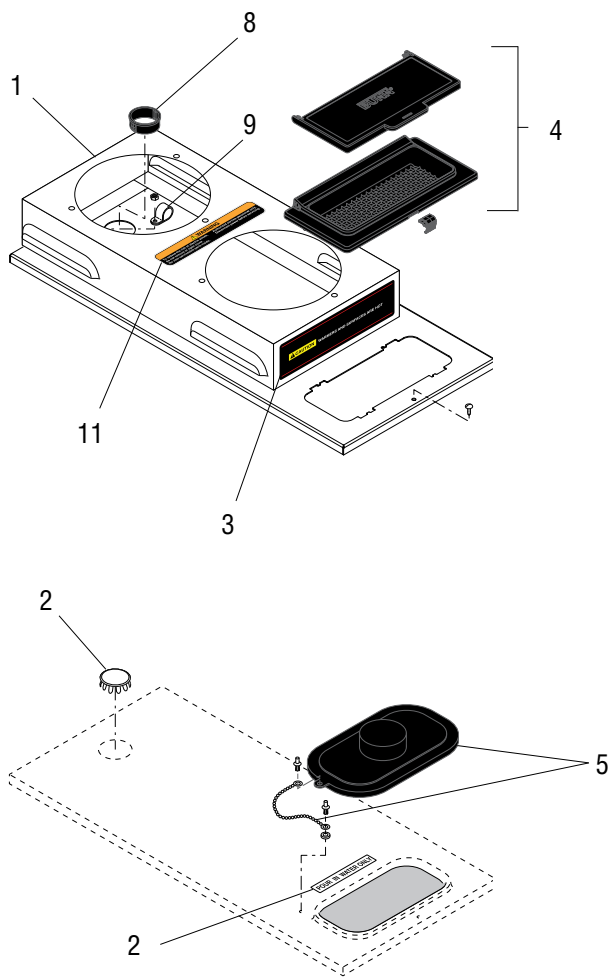
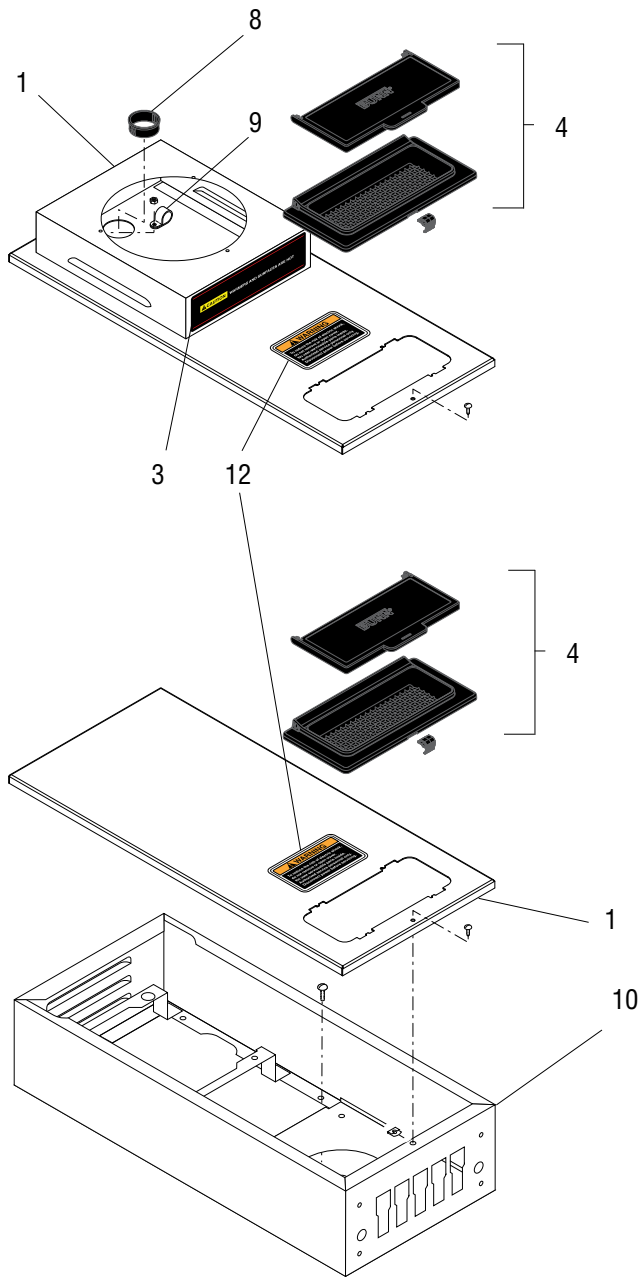
TABLE OF CONTENTS

Trunk and Panels.....	4
Hood and Top Covers.....	6
Fill Basin	8
Tank and Components.....	10
Electrical and Operating Controls.....	12, 14
Warmer Assemblies.....	16
Funnels, Pitcher and Filter Basket	18
Numerical Index.....	20



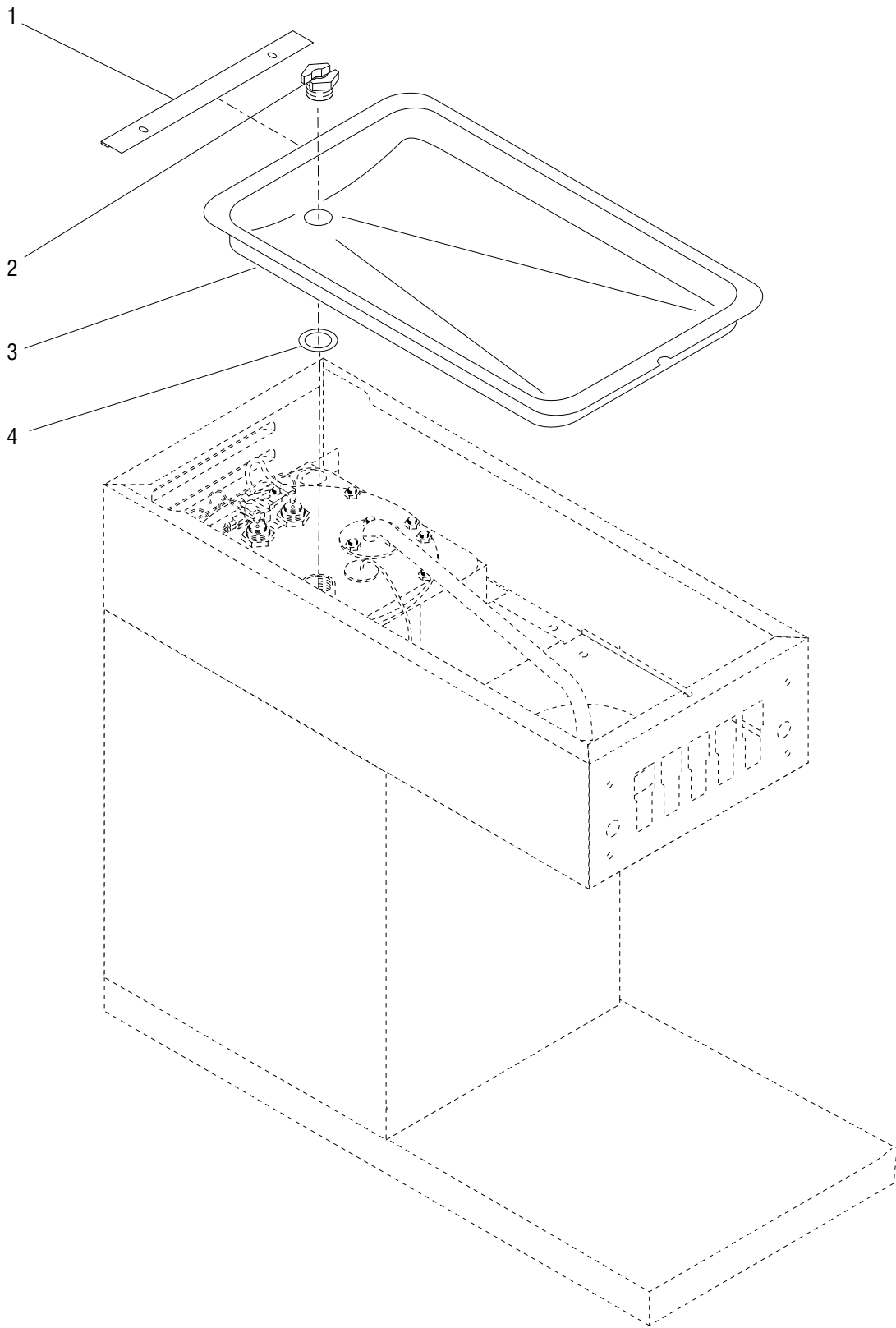
TRUNKS AND BASES

ITEM	PART NO.	QTY.	DESCRIPTION
1	34061.1005	1	Trunk W/Decals BLK (Includes item 3)
	34061.1006	1	Trunk W/Decals SST (Includes item 3)
	34061.1014	1	Trunk W/Decals SST (Includes item 3) (Models ON/OFF Rocker Switch)
	41402.1000	1	Trunk W/Decals SST (Includes item 3) (Models w/2 Toggle Switches)
2	00669.0003	2-3	Plug, Hole - .437" Hole Dia.
3	00831.0000	1	Decal, Warning-Electrical
4	02822.0000	1	Decal, Auxiliary Outlet (Brewers w/Rear Receptacle)
5	23319.1005	1	Panel W/Decals, BLK (Includes items 6,7 & 21)
	25144.0011	1	Panel W/Decals, SST (Includes items 6,7 & 21)
	25144.0002	1	Panel W/Decals, SST (Includes item 6 & 21) ("B" Models only)
	01382.0000	4	Screw, Truss Head - SST #6-32 x .375"
	01382.0002	4	Screw, Truss Head - BLK #6-32 x .375"
	00988.0000	4	Fastener, U-Type #6-32
6	00658.0000	1	Decal, Caution - Decanter/Funnel
7	10862.0003	1	Schematic, Electrical - 120V
8	25351.0000	1	Housing W/Decals, Base 1 Warmer (Includes items 9 & 10)
	25351.0001	1	Housing W/Decals, Base 1 Warmer (Includes items 9 & 10) (CE)
	02308.0000	9	Screw, Pan Head - Serrated #8-32 x .375"
	25657.0000	1	Housing SST W/Decals, Base 3 Warmers (Includes items 9 & 10)
	25657.0001	1	Housing SST W/Decals, Base 3 Warmers (Includes items 9 & 10) (CE)
	25657.0002	1	Housing BLK W/Decals, Base 3 Warmers (Includes items 9 & 10)
	02308.0000	16	Screw, Pan Head - Serrated #8-32 x .375"
9	12364.0000	1	Decal, Caution - Warmers And Surfaces Are Hot
10	22306.0000	1	Decal, Red Decorative Stripe
11	24805.0000	1	Plate, Base 1 Warmer
	02332.0002	6	Screw, Hex-Crimptite #6 x .375"
	24805.0000	1	Plate, Base 3 Warmers
	02332.0002	12	Screw, Hex-Crimptite #6 x .375"
12	25137.0000	4	Foot, Black w/.250"-20 THD
13	00511.1000	4	Set of 4 Legs, 4" Adjustable Satin Nickel (Includes pads)
14	03996.0000	4	Pad, Anti-Skid, Rubber (1.25" Dia)
15	03359.0001	4	Set of 4 Legs, 4" Adjustable BLK Plastic (Includes pads)
16	03993.0000	4	Pad, Anti-Skid, Rubber (.70" Dia)
17	01593.0000	1	Bushing, Snap 1.5" Dia
18	01592.0000	1	Bushing, Snap 1" Dia (One less used on 1 & 2 Warmer Brewers)
19	37881.0000	1	Decal, No Serviceable Parts
20	27366.0000	1	Kit, 1 GPR Stabilizer (Includes feet, decal & brackets)
21	25658.0000	1	Housing SST W/Decal, Side Warmer (Includes item 9)
	25658.0002	1	Housing BLK W/Decal, Side Warmer (Includes item 9)
22	41405.0000	1	Decal, Main ON/OFF Switch



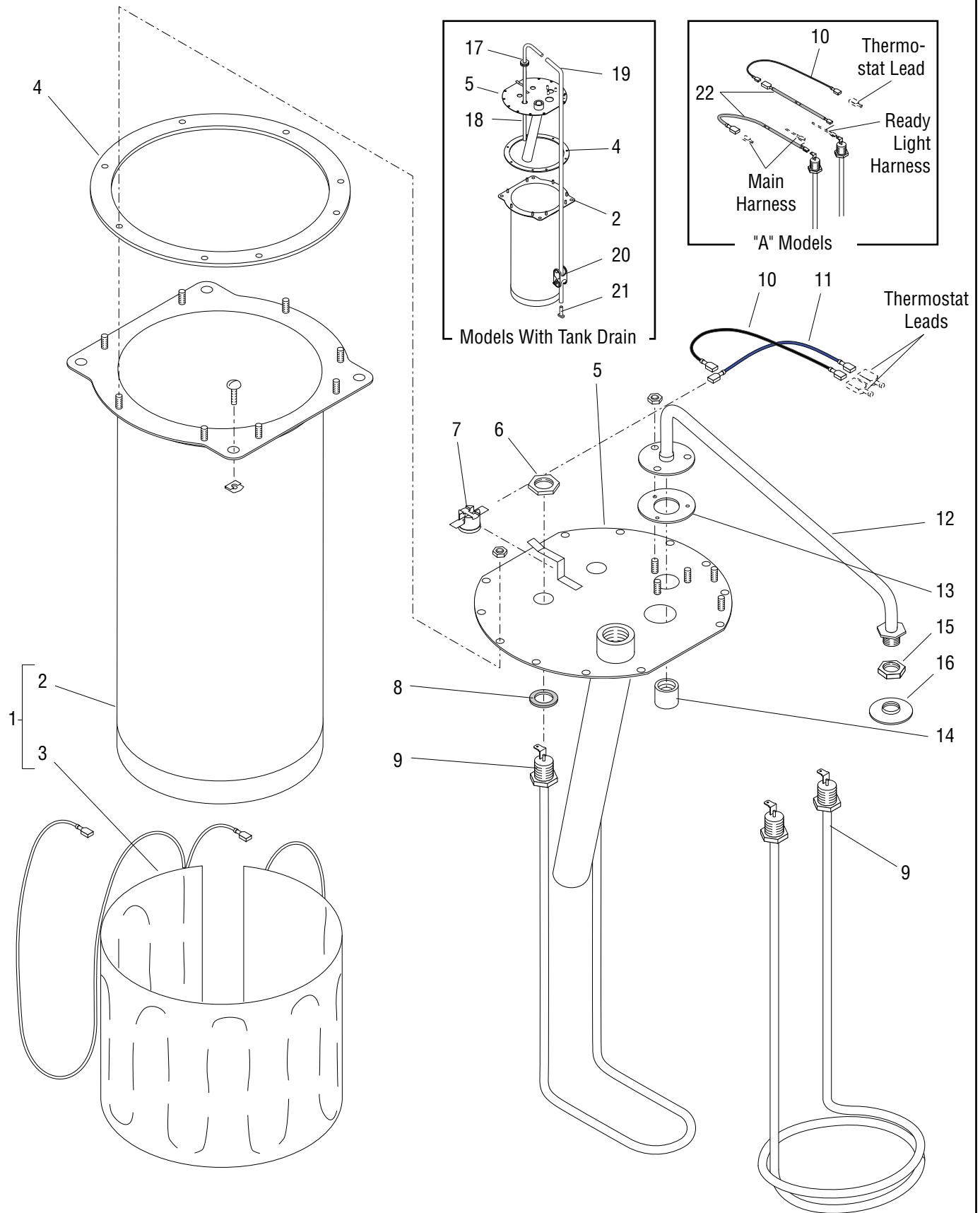
HOOD AND TOP COVERS

ITEM	PART NO.	QTY.	DESCRIPTION
1	38503.1000	1	Cover SST, Top (Includes items 2 & 12)(Brewers W/Out Top Warmer)
	38504.1000	1	Cover BLK, Top (Includes items 2 & 12)(Brewers W/Out Top Warmer)
	38496.1000	1	Cover, Top (Includes items 3,8 & 12)(Brewers with Top Warmer)
	38496.1002	1	Cover, Top (Includes items 3,8 & 11)(Brewers with Two Top Warmers)
	01303.0000	1	Screw SST, Pan Head #4-40 x .50"
	00916.0000	1	Fastener, J-Type #4-40
2	00833.0000	1	Decal, Pour In Water Only
3	02763.0000	1	Decal, Caution - Warmers And Surfaces Are Hot - Pour In Water Only
4	38498.1000	1	Flip Lid Assy.
5	12981.0001	1	Lid/Chain Kit (Early Models)
6	00833.0000	1	Decal, Pour In Water Only (Early Models)
7	02999.0000	1	Plug, Hole 1.19" Dia. (Early Models)
8	01592.0001	1	Bushing, Snap 1.188" Dia
9	28382.0000	1	Clamp, Routing
	00908.0000	1	Nut, Hex #8-32
10	13350.0006	1	Housing SST, Hood
	13350.0016	1	Housing BLK, Hood
	13350.0015	1	Housing, Hood ("B" Models w/front heater switch only)
	02308.0000	6	Screw, Pan Head Serrated #8-32 x .375"
11	37881.0002	1	Decal, No Serviceable Parts
12	37881.0000	1	Decal, No Serviceable Parts



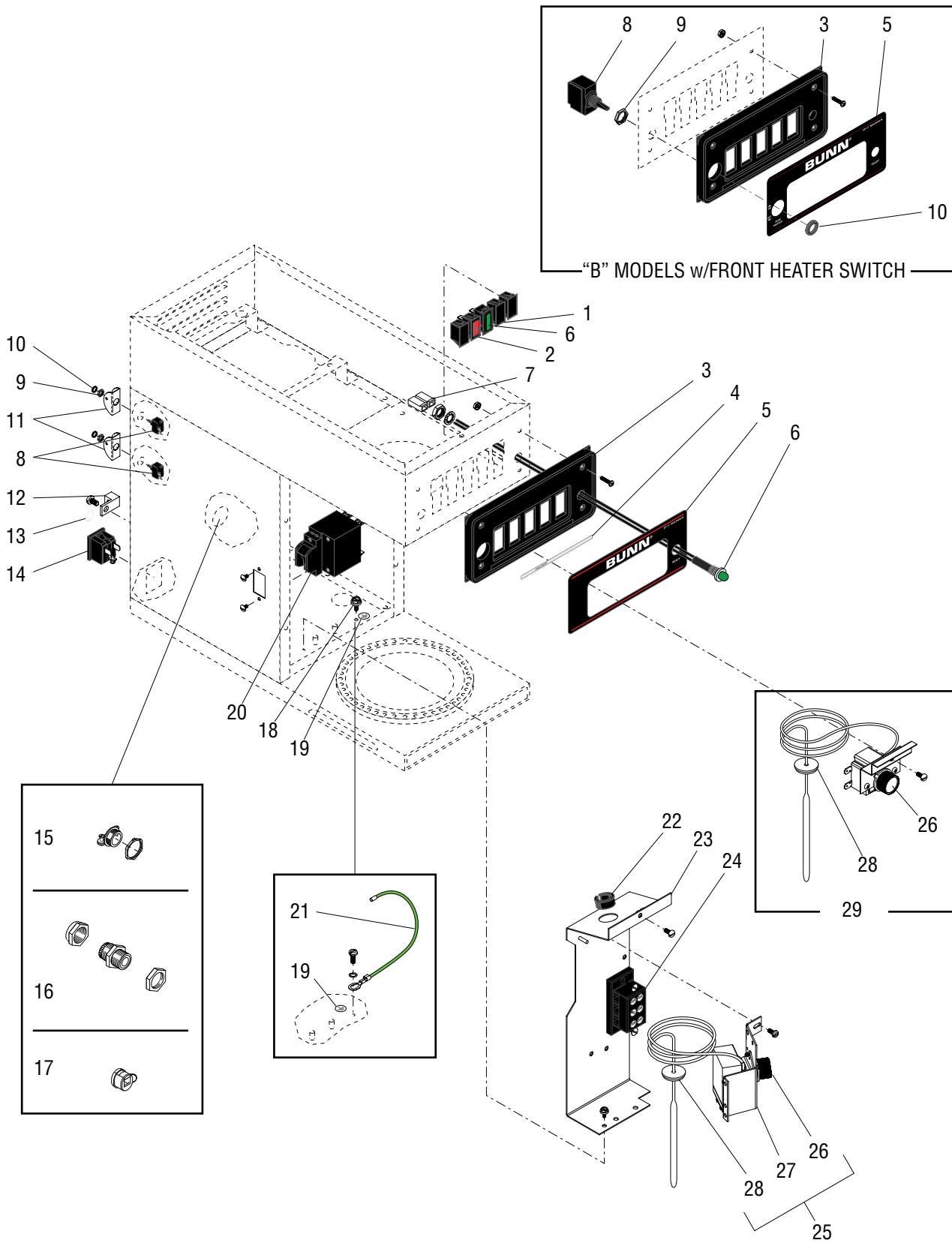
FILL BASIN

ITEM	PART NO.	QTY.	DESCRIPTION
1	11424.0000	1	Plate, Splash Guard
2	01212.0001	1	Fitting, Tank Inlet
3	04270.0000	1	Fill Basin
4	01201.0000	1	Gasket, Tank Inlet



TANK AND COMPONENTS

ITEM	PART NO.	QTY.	DESCRIPTION
-	25319.1000	1	Tank Assy, 1320W 120V (Includes items 1 thru 14)
	25319.1001	1	Tank Assy, 1800W 120V (Includes items 1 thru 14)
	25319.1007	1	Tank Assy, 1850W 220V (Includes items 1 thru 14 & 22)
	25319.1008	1	Tank Assy, 3500W 240V (Includes items 1 thru 14 & 22)
	25319.1016	1	Tank Assy, 1600W 100V (Includes items 1 thru 14)
	01315.0000	2	Screw, Truss Head #8-32 x .3/8"
	00912.0000	2	Fastener, J-Type #8-32
1	04119.0000	1	Tank W/Blanket Warmer, 120V
	04133.0000	1	Tank W/Blanket Warmer, 220V
			} Includes items 2 & 3
2	04118.0000	1	Tank
3	04260.0000	1	Blanket Warmer, 50W 120V
	01927.0000	1	Blanket Warmer, 50W 220V
4	04221.0000	1	Gasket, Tank Lid
5	25158.0002	1	Tank Lid
	25158.0005	1	Tank Lid (Models with Tank Drain)
	00908.0000	8	Nut, Hex #8-32
6	00942.0000	2	Nut, Hex .50"-20
7	29329.1000	1	Thermostat, Limit (230F 17 AMP)
8	00943.0000	2	Gasket, Tank Heater
9	04236.1000	1	Tank Heater, 1320W 120V
	20939.1000*	1	Tank Heater, 1600W 100V (Obsolete) Order 04636.1000
	01925.1000	1	Tank Heater, 1850W 220V
	04637.1000	1	Tank Heater, 3500W 240V
	04636.1000	1	Tank Heater, 1800W 120V
			} Includes item 8
10	23769.0000	1	Lead, Electrical BLK (Thermostat to Heater)
11	23768.0000	1	Lead, Electrical BLU (Thermostat to Limit)
12	11431.0002	1	Sprayhead Tube Kit (Includes 3 mounting nuts below & items 13 & 14)
	00908.0000	3	Nut, Hex #8-32
13	05515.0000	1	Gasket, Sprayhead Tube
14	05518.0000	1	Hub, Syphon
15	01075.0000	1	Nut, Hex .438" - 20
16	01082.0000	1	Sprayhead, 6-Hole
	01082.0007	1	Sprayhead, 1-Hole (Brewers with Pouch-Pack Funnel)
17	02536.0000	1	Grommet
18	28298.0001	1	Tube, Drain
19	28526.1001	1	Tube, Silicone .313" x .562" x 36.0"
20	11630.0001	1	Clamp, Shut Off
21	32098.0000	1	Plug
22	40796.0000	1	TCO Kit

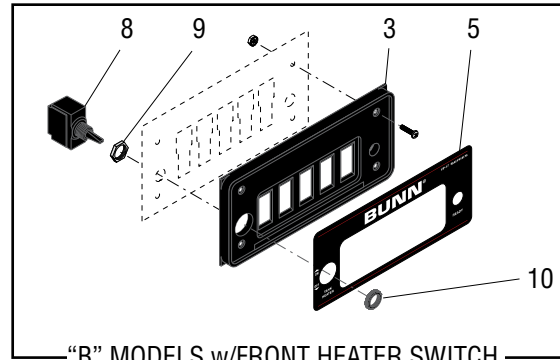


ELECTRICAL AND OPERATING CONTROLS

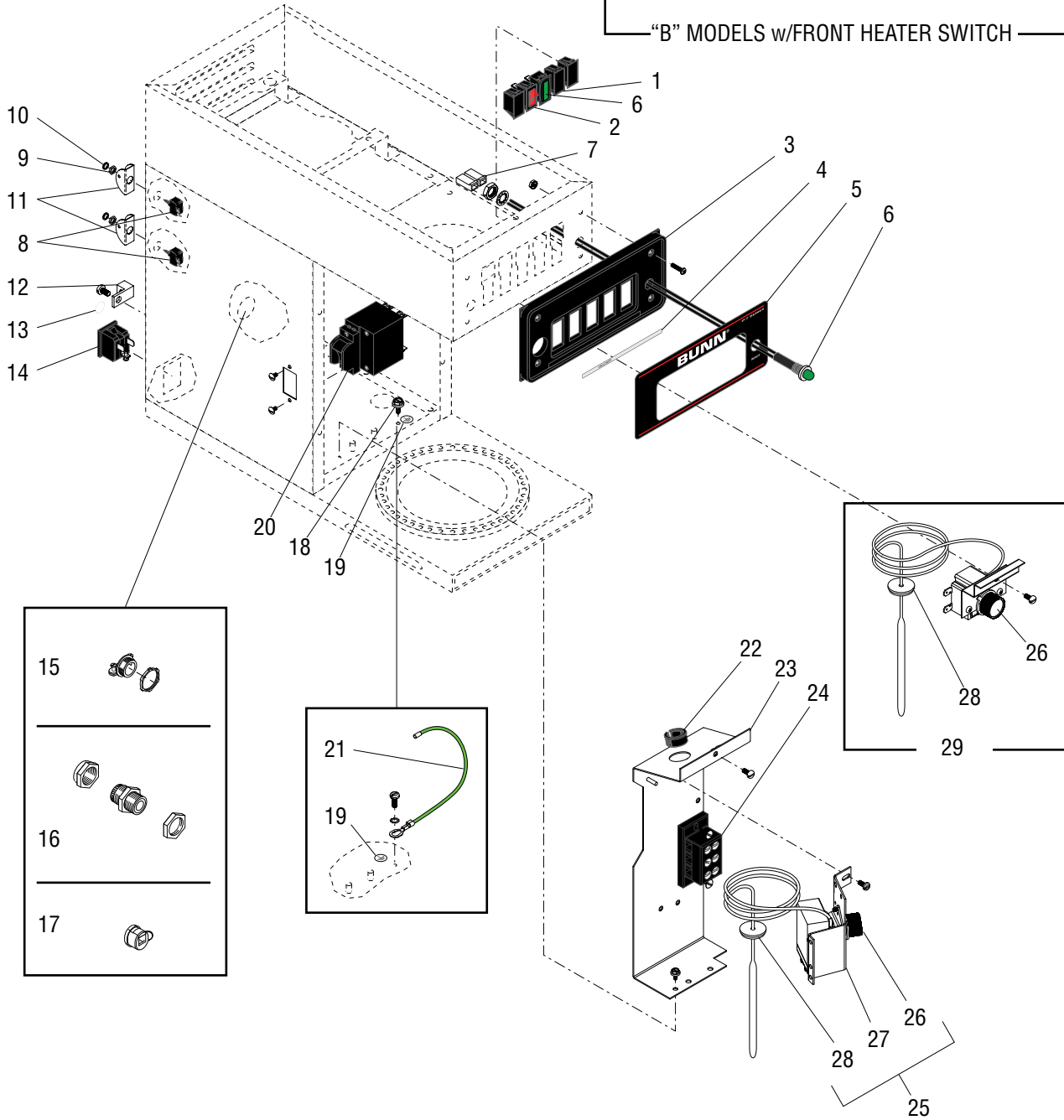
ITEM	PART NO.	QTY.	DESCRIPTION	
1	12921.0000	2-4	Switch Blank, BLK	
2	12920.0000	1-3	Switch ON/OFF 120V	
	12920.0002	1-3	Switch, ON/OFF 240V	
3	13352.0008	1	Control Panel	
	02301.0000	4	Screw, Phillip Pan Head #6-32 x .625"	
	00973.0000	4	Nut , Keps #6-32	
4	22295.0000	1	Label, Switch ON/OFF (One warmer brewer)	
	22295.0001	1	Label, Switch ON/OFF (Two warmer brewer)	
	22295.0002	1	Label, Switch ON/OFF (Three lower warmer brewer left or right)	
	22295.0012	1	Label, Switch ON/OFF (One Lower Warmer & Two Upper Warmers)	
	22295.0015	1	Label, Switch ON/OFF (One warmer brewers)	} "A" Models only
	22295.0016	1	Label, Switch ON/OFF (Two warmer brewers)	
	22295.0017	1	Label, Switch ON/OFF (Three lower warmer brewers, left or right)	
	22295.0018	1	Label, Switch ON/OFF (One lower, and two upper warmer brewers)	
5	25105.0000	1	Decal, Control Panel (W/Ready Light)	
	25105.0003	1	Decal, Control Panel (W/Ready Light) ("B" Models Only W/Front Heater Switch)	
	25105.0004	1	Decal, Control Panel (No Light, No Switch)	
6	47575.1000	1	Light Assembly, 120V (Includes Terminal Housings)	
	47575.1001	1	Light Assembly, 250V (Includes Terminal Housings)	
	12985.0000	1	Wiring Harness, Ready Light	
	27691.0001	1	Ready Light, Green 240V ("A" Models only) Used in place of switch blank	
	27730.0000	1	Wiring Harness, Ready Light ("A" Models only)	
7	04243.0000	2	Terminal Housing, Receptacle	
8	40763.0001	1	Switch, Heater (SPST) (Includes Hex Nut) Front or Rear Mount	
	28004.0000	1	Switch, Heater (DPST) (Includes Hex Nut) (Rear Mount "A" Models only)	
	28355.0000	1	Harness Assy, (For use with 28004.0000 Heater Switch)	
9	23696.0000	1	Nut, Hex	
10	23697.0000	1	Facenut, Plastic	
11	25102.0000	1	Bracket, Switch Indicator/Guard	
	25102.0001	1	Bracket, Switch Indicator/Guard (CE)	
12	27705.0000	1	Terminal Lug (Includes setscrew)	
	01327.0000	1	Screw, Pan Head #10-32 x .38"	
13	00824.0001	1	Decal, Equipotentiality (CE Only)	
14	03628.0000	1	Receptacle, Grounded (Not Used on Brewers with Three Warmers)	
	13307.1001	1	Wiring Harness, Rear Receptacle	
15	01685.0000	1	Connector, Cord .50" MPT ("B" Models)	
16	05746.1000	1	Bushing, Strain Relief ("A" Models)	
17	01686.0000	1	Bushing, Strain Relief	
18	02337.0001	1	Screw, Hex Head #10 x .375" (Cord Ground)	
19	00824.0002	1	Decal, Ground	

(Continued)

(Continued)



“B” MODELS w/FRONT HEATER SWITCH



ELECTRICAL AND OPERATING CONTROLS

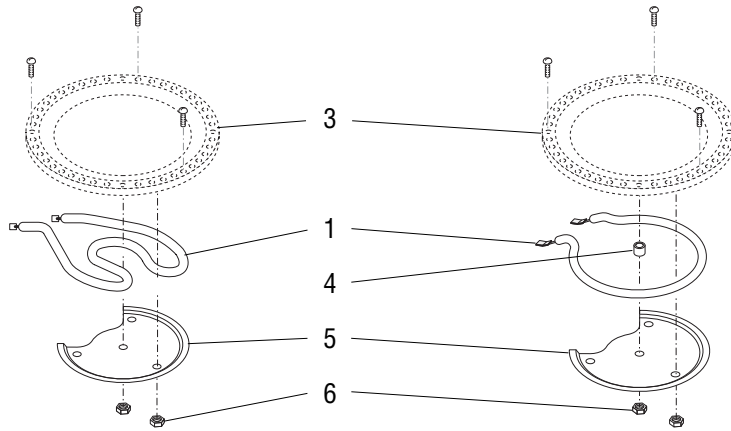
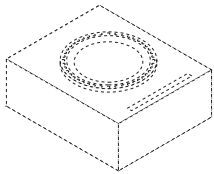
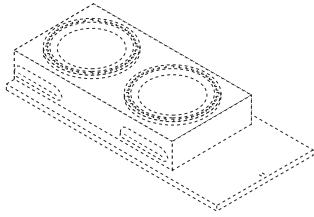
ITEM	PART NO.	QTY.	DESCRIPTION
20	38894.0001	1	Switch, Master ON/OFF (Models w/ Master ON/OFF Switch)
	01308.0003	2	Screw, truss Head, Locking BLK #6-32 x .25"
	01308.0000	2	Screw, truss Head, Locking SST #6-32 x .25"
	01327.0000	4	Screw, Pan Head #10-32 x .38"
	01512.0000	4	Lockwasher #10
	38920.0000	1	Wiring Harness, Switch-Terminal Block
21	21016.0131	1	Lead, Electrical Grn/Yel 7" LG (Ground to white pole in terminal block)
	01375.0000	1	Screw, Pan Head - Brass #10-32 X .50"
	01512.0000	1	Lockwasher, External Tooth #10
22	00606.0000	1	Bushing, Snap .875" Dia
23	12698.0005	1	Bracket Assembly, Component Mounting (Not Used on Newer 120V Models)
	01347.0000	1	Screw, Truss Head #6-32 x .375" (Early models)
	02308.0000	1	Screw, Pan Head #8-32 x .375" (Late models)
	02332.0001	1	Screw, Hex-Crimptite #6 x .250"
24	01106.0000	1	Terminal Block, 2 Pole-White/Black ("B" Models only)
	01317.0000	2	Screw, Truss Head #8-32 x .50"
	07038.0000	1	Terminal Block, 3 Pole ("A" Models only)
	01315.0000	2	Screw, Truss Head #8-32 x .38"
	01501.0000	2	Washer, Flat .164" I.D.
25	04314.0001	1	Thermostat Kit (Replaces Thermostats with Terminals)
	28319.0000	1	Thermostat Kit (Replaces Thermostats with Electrical Leads)
	02308.0000	1	Screw, Pan Head #8-32 x .375"
	20762.0000	2	Screw, Binding Head #8-32 x .25" (Thermostats with Terminals)
26	00720.0000	1	Knob
27	20771.0001	1	Bracket Assembly
	02301.0001	2	Screw, Phillip Pan Head #6-32 x .312"
28	07073.1000	1	Grommet, Thermostat
29	28385.1001	1	Thermostat Kit (For Newer 120V models)
	02308.0000	1	Screw, Pan Head #8-32 x .38"
	20762.0000	2	Screw, Binding Head #8-32 x .25"
	25347.0003	1	Harness Assy.

The Following Items Are Not Illustrated

30	01637.0000	1	Power Cord 60.0" lg 120V
	40699.0004	1	Power Cord 72.0" lg 120V
	01638.0000	1	Power Cord ("B" Models)
	27728.0005	1	Power Cord (VP17A-2)
	28111.0003	1	Power Cord (VP17A-1)
	28111.0008	1	Power Cord (VP17A-2)(230V Models for United Kingdom)
	33529.0002	1	Power Cord (VP17A-2)(230V Models for Europe)
31	25769.0000	1	Wiring Harness, Main w/Rear Receptacle120V (VP17-3)
	25769.0001	1	Wiring Harness, Main 100V ("B" Models)
	25769.0002	1	Wiring Harness, Main 120V (VP17-1)
	25769.0003	1	Wiring Harness, Main 120V (VP17-2)
	25769.0004	1	Wiring Harness, Main 120V (VP17-3)(Early Models)
	25769.0006	1	Wiring Harness, Main 120V (VP17-3)(Includes Side Warmer Wiring)
32	12919.0000	-	Cap, Terminal Cover - BLK (Use as required)

UPPER & SIDE HOUSING WARMERS

(A)

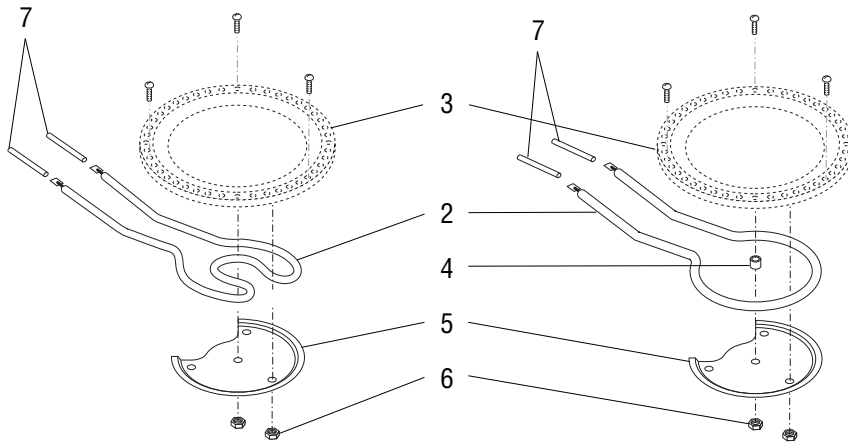
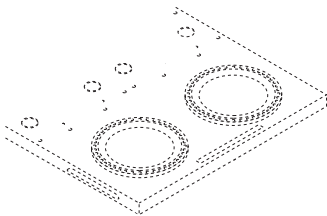
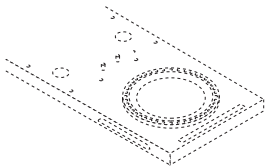


'A" &"B" MODELS ONLY

120V & 120/240V MODELS ONLY

BASE WARMERS

(B)



'A" &"B" MODELS ONLY

120V & 120/240V MODELS ONLY

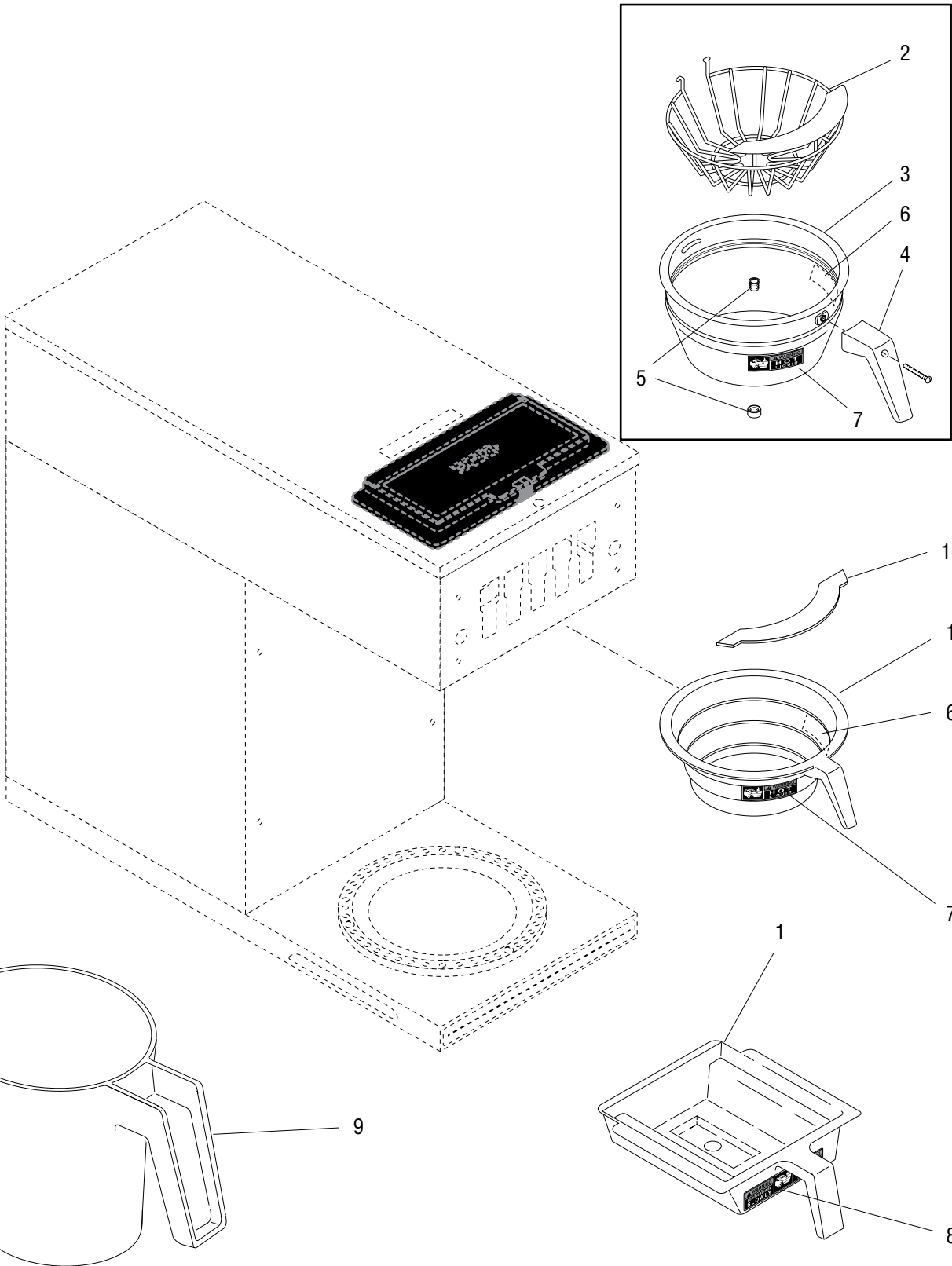
WARMER ASSEMBLIES

ITEM	PART NO.	QTY.	DESCRIPTION	
A	03652.0000	1	Warmer Assembly 120V, Top & Side Warmers (Includes items 1, & 3 - 6)	
	11440.0009	1	Warmer Assembly 220V, Top & Side Warmers (Includes items 1, 3, 5, & 6)	
	11440.0011	1	Warmer Assembly 200V, Top & Side Warmers (Includes items 1, 3, 5, & 6)	
	01303.0000	3	Screw, Pan Head - SST #4-40 x .5"	
	00916.0000	3	Fastener, J-Type #4-40	
	1	01227.0000	1	Warmer Element 120V Top & Side Warmers
		01951.0000	1	Warmer Element 220V Top & Side Warmers ("A" Models)
		01951.0001	1	Warmer Element 200V Top & Side Warmers ("B" Models)
	B	11440.0005	1	Warmer Assembly 120V, Base Warmers (Includes items 2-7) (Single CW)
		11440.0008	1	Warmer Assembly 220V, Base Warmers (Includes items 2, 3, 5, & 6)
11440.0010		1	Warmer Assembly 200V, Base Warmers (Includes items 2, 3, 5, & 6)	
01303.0000		3	Screw, Pan Head - SST #4-40 x .5"	
00916.0000		3	Fastener, J-Type #4-40	
2		11442.0000	1	Warmer Element 120V Base Warmers (Single CW)
		11438.0000	1	Warmer Element 220V Base Warmers ("A" Models)
		11438.0001	1	Warmer Element 200V Base Warmers ("B" Models)
3		03656.0000	1	Warmer Dish, Blk 45 Hole
4		13042.0001	1	Spacer, (120V Models Only)
5	05212.0000	1	Plate, Element Retaining	
6	00970.0000	2	Nut, Keps #8-32	
7	04828.0001*	2	Tube, Silicone .25" Dia x 1.875" LG. (Order Item 8)	
The Following Items Are Not Illustrated				
8	04828.1001	-	Tube, Silicone .25" Dia. x 24" LG (Use as required)	
9	24785.0002	1	Galley Kit, "C" Series, 3 Warmers	



All warmers listed above are rated @ 100 watts

* Indicates the part number listed is for reference only.



FUNNELS, PITCHER AND FILTER BASKET

ITEM	PART NO.	QTY.	DESCRIPTION
1	20583.0003	1	Funnel W/Decals, Plastic (Black 7.125" Dia) (Includes items 6, 7 & 10)
	20583.0006	1	Funnel W/Decals, Plastic (Orange 7.125" Dia) (Includes items 6, 7 & 10)
	20216.0000	1	Funnel, SST W/Black Handle (7.125" Dia)(Includes items 2 thru 4)
	20216.0001	1	Funnel, SST W/Orange Handle (7.125" Dia)(Includes items 2 thru 4)
	04274.0012	1	Funnel W/Decal, Pouch-Pack Black (Large)(7.125") (Includes item 8)
2	33088.0000	1	Filter Basket (7.125" Dia)
3	28553.0000	1	Funnel W/Decals, SST (7.125" Dia) (Includes items 6 & 7)
4	20244.1000	1	Handle Kit, Black (Includes Screw)
	20244.1001	1	Handle Kit, Orange (Includes Screw)
	01331.0002	1	Screw, Round Head #10-32 x 1.50"
5	01031.0000	1	Funnel Tip Kit
6	03408.0002	1	Decal, Warning-Remove Funnel
7	03409.0002	1	Decal, Warning-Hot Liquid
8	28694.0000	1	Decal, Warning-Hot Liquid/Remove Funnel
9	04238.0000	1	Pitcher, Water - 64 OZ
10	32964.0000	1	Splash Guard

NUMERICAL INDEX

PART NO.	PAGE NO.	PART NO.	PAGE NO.	PART NO.	PAGE NO.	PART NO.	PAGE NO.
00511.1000.....	5	02763.0000.....	7	13350.0015.....	7	25769.0003.....	15
00606.0000.....	15	02822.0000.....	5	13350.0016.....	7	25769.0004.....	15
00658.0000.....	5	02999.0000.....	7	13352.0008.....	13	25769.0006.....	15
00669.0003.....	5	03359.0001.....	5	20216.0000.....	19	27366.0000.....	5
00720.0000.....	15	03408.0002.....	19	20216.0001.....	19	27691.0001.....	13
00824.0001.....	13	03409.0002.....	19	20244.1000.....	19	27705.0000.....	13
00824.0002.....	13	03628.0000.....	13	20244.1001.....	19	27728.0005.....	15
00831.0000.....	5	03652.0000.....	17	20583.0003.....	19	27730.0000.....	13
00833.0000.....	7	03656.0000.....	17	20583.0006.....	19	28004.0000.....	13
00908.0000.....	7,11	03993.0000.....	5	20762.0000.....	15	28111.0003.....	15
00912.0000.....	11	03996.0000.....	5	20771.0001.....	15	28111.0008.....	15
00916.0000.....	7,17	04118.0000.....	11	20939.1000.....	11	28298.0001.....	11
00942.0000.....	11	04119.0000.....	11	21016.0131.....	15	28319.0000.....	15
00943.0000.....	11	04133.0000.....	11	22295.0000.....	13	28355.0000.....	13
00970.0000.....	17	04221.0000.....	11	22295.0001.....	13	28382.0000.....	7
00973.0000.....	13	04236.1000.....	11	22295.0002.....	13	28385.1001.....	15
00988.0000.....	5	04238.0000.....	19	22295.0012.....	13	28526.1001.....	11
01031.0000.....	19	04243.0000.....	13	22295.0015.....	13	28553.0000.....	19
01082.0000.....	11	04260.0000.....	11	22295.0016.....	13	28694.0000.....	19
01082.0007.....	11	04270.0000.....	9	22295.0017.....	13	29329.1000.....	11
01106.0000.....	15	04274.0012.....	19	22295.0018.....	13	32098.0000.....	11
01201.0000.....	9	04314.0001.....	15	22306.0000.....	5	32964.0000.....	19
01212.0001.....	9	04636.1000.....	11	23319.1005.....	5	33088.0000.....	19
01227.0000.....	17	04637.1000.....	11	23696.0000.....	13	33529.0002.....	15
01303.0000.....	7,17	04828.0001.....	17	23697.0000.....	13	34061.1005.....	5
01308.0000.....	15	04828.1001.....	17	23768.0000.....	11	34061.1006.....	5
01308.0003.....	15	05212.0000.....	17	23769.0000.....	11	34061.1014.....	5
01315.0000.....	11,15	05515.0000.....	11	24785.0002.....	17	37881.0000.....	5,7
01317.0000.....	15	05518.0000.....	11	24805.0000.....	5	37881.0002.....	7
01327.0000.....	13	01075.0000.....	11	24805.0000.....	5	38496.1000.....	7
01327.0000.....	15	05746.1000.....	13	25102.0000.....	13	38496.1002.....	7
01331.0002.....	19	07038.0000.....	15	25102.0001.....	13	38498.1000.....	7
01347.0000.....	15	07073.1000.....	15	25105.0000.....	13	38503.1000.....	7
01375.0000.....	15	10862.0003.....	5	25105.0003.....	13	38504.1000.....	7
01382.0000.....	5	11424.0000.....	9	25105.0004.....	13	38894.0001.....	15
01382.0002.....	5	11431.0002.....	11	25137.0000.....	5	38920.0000.....	15
01501.0000.....	15	11438.0000.....	17	25144.0002.....	5	40699.0004.....	15
01512.0000.....	15	11438.0001.....	17	25144.0011.....	5	40763.0001.....	13
01592.0000.....	5	11440.0005.....	17	25158.0002.....	11	40796.0000.....	11
01592.0001.....	7	11440.0008.....	17	25158.0005.....	11	41402.1000.....	5
01593.0000.....	5	11440.0009.....	17	25319.1000.....	11	41405.0000.....	5
01637.0000.....	15	11440.0010.....	17	25319.1001.....	11	47575.1000.....	13
01638.0000.....	15	11440.0011.....	17	25319.1007.....	11	47575.1001.....	13
01685.0000.....	13	11442.0000.....	17	25319.1008.....	11		
01686.0000.....	13	11630.0001.....	11	25319.1016.....	11		
01925.1000.....	11	12364.0000.....	5	25347.0003.....	15		
01927.0000.....	11	12698.0005.....	15	25351.0000.....	5		
01951.0000.....	17	12919.0000.....	15	25351.0001.....	5		
01951.0001.....	17	12920.0000.....	13	25657.0000.....	5		
02301.0000.....	13	12920.0002.....	13	25657.0001.....	5		
02301.0001.....	15	12921.0000.....	13	25657.0002.....	5		
02308.0000.....	5,7,15	12981.0001.....	7	25658.0000.....	5		
02332.0001.....	15	12985.0000.....	13	25658.0002.....	5		
02332.0002.....	5	13042.0001.....	17	25769.0000.....	15		
02337.0001.....	13	13307.1001.....	13	25769.0001.....	15		
02536.0000.....	11	13350.0006.....	7	25769.0002.....	15		