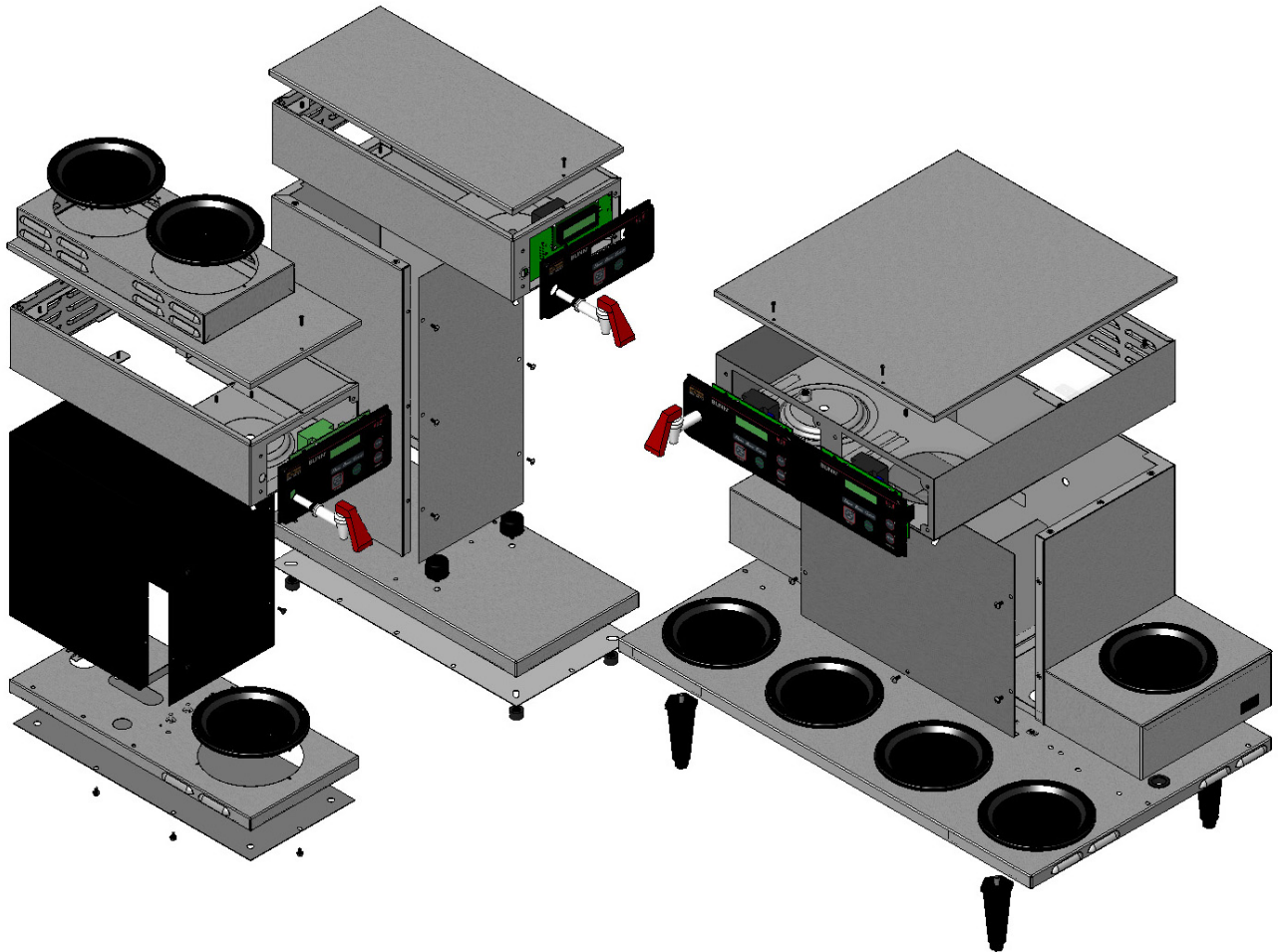


BUNN®

AXIOM® SERIES



ILLUSTRATED PARTS CATALOG

Designs, materials, weights, specifications, and dimensions for equipment or replacement parts are subject to change without notice.

BUNN-O-MATIC CORPORATION
POST OFFICE BOX 3227
SPRINGFIELD, ILLINOIS 62708-3227
PHONE: (217) 529-6601 FAX: (217) 529-6644



BUNN-O-MATIC COMMERCIAL PRODUCT WARRANTY

Bunn-O-Matic Corp. ("BUNN") warrants equipment manufactured by it as follows:

- 1) All equipment other than as specified below: 2 years parts and 1 year labor.
- 2) Electronic circuit and/or control boards: parts and labor for 3 years.
- 3) Compressors on refrigeration equipment: 5 years parts and 1 year labor.
- 4) Grinding burrs on coffee grinding equipment to grind coffee to meet original factory screen sieve analysis: parts and labor for 3 years or 30,000 pounds of coffee, whichever comes first.

These warranty periods run from the date of installation BUNN warrants that the equipment manufactured by it will be commercially free of defects in material and workmanship existing at the time of manufacture and appearing within the applicable warranty period. This warranty does not apply to any equipment, component or part that was not manufactured by BUNN or that, in BUNN's judgment, has been affected by misuse, neglect, alteration, improper installation or operation, improper maintenance or repair, damage or casualty. This warranty is conditioned on the Buyer 1) giving BUNN prompt notice of any claim to be made under this warranty by telephone at (217) 529-6601 or by writing to Post Office Box 3227, Springfield, Illinois 62708-3227; 2) if requested by BUNN, shipping the defective equipment prepaid to an authorized BUNN service location; and 3) receiving prior authorization from BUNN that the defective equipment is under warranty.

THE FOREGOING WARRANTY IS EXCLUSIVE AND IS IN LIEU OF ANY OTHER WARRANTY, WRITTEN OR ORAL, EXPRESS OR IMPLIED, INCLUDING, BUT NOT LIMITED TO, ANY IMPLIED WARRANTY OF EITHER MERCHANTABILITY OR FITNESS FOR A PARTICULAR PURPOSE. The agents, dealers or employees of BUNN are not authorized to make modifications to this warranty or to make additional warranties that are binding on BUNN. Accordingly, statements by such individuals, whether oral or written, do not constitute warranties and should not be relied upon.

If BUNN determines in its sole discretion that the equipment does not conform to the warranty, BUNN, at its exclusive option while the equipment is under warranty, shall either 1) provide at no charge replacement parts and/or labor (during the applicable parts and labor warranty periods specified above) to repair the defective components, provided that this repair is done by a BUNN Authorized Service Representative; or 2) shall replace the equipment or refund the purchase price for the equipment.

THE BUYER'S REMEDY AGAINST BUNN FOR THE BREACH OF ANY OBLIGATION ARISING OUT OF THE SALE OF THIS EQUIPMENT, WHETHER DERIVED FROM WARRANTY OR OTHERWISE, SHALL BE LIMITED, AT BUNN'S SOLE OPTION AS SPECIFIED HEREIN, TO REPAIR, REPLACEMENT OR REFUND.

In no event shall BUNN be liable for any other damage or loss, including, but not limited to, lost profits, lost sales, loss of use of equipment, claims of Buyer's customers, cost of capital, cost of down time, cost of substitute equipment, facilities or services, or any other special, incidental or consequential damages.

392, AutoPOD, AXIOM, BrewLOGIC, BrewMETER, Brew Better Not Bitter, BrewWISE, BrewWIZARD, BUNN Espresso, BUNN Family Gourmet, BUNN Gourmet, BUNN Pour-O-Matic, BUNN, BUNN with the stylized red line, BUNNlink, Bunn-OMatic, Bunn-O-Matic, BUNNserve, BUNNSERVE with the stylized wrench design, Cool Froth, DBC, Dr. Brew stylized Dr. design, Dual, Easy Pour, EasyClear, EasyGard, FlavorGard, Gourmet Ice, Gourmet Juice, High Intensity, iMIX, Infusion Series, Intellisteam, My Café, PowerLogic, Quality Beverage Equipment Worldwide, Respect Earth, Respect Earth with the stylized leaf and coffee cherry design, Safety-Fresh, savemy-coffee.com, Scale-Pro, Silver Series, Single, Smart Funnel, Smart Hopper, SmartWAVE, Soft Heat, SplashGard, The Mark of Quality in Beverage Equipment Worldwide, ThermoFresh, Titan, A Partner You Can Count On, Air Brew, Air Infusion, Beverage Bar Creator, Beverage Profit Calculator, Brew better, not bitter., BUNNSource, Coffee At Its Best, Cyclonic Heating System, Digital Brewer Control, Nothing Brews Like a BUNN, Pouring Profits, Signature Series, Tea At Its Best, Phase Brew, The Horizontal Red Line, trifacta, Ultra, Velocity Brew are either trademarks or registered trademarks of Bunn-O-Matic Corporation.

TABLE OF CONTENTS

TWIN HOOD AND TOP COVERS.....	4
SINGLE HOODS AND TOP COVERS.....	6
TRUNKS.....	8
BASES.....	12
TANK AND COMPONENTS	16
DISPENSE VALVE, SPRAYHEAD, & FAUCET	18
FILL SOLENOID VALVE AND DRAIN - EARLY MODELS	22
FILL SOLENOID VALVE AND DRAIN - LATER MODELS.....	24
WARMER ASSEMBLIES.....	26
ELECTRICAL AND OPERATING CONTROLS	28
FUNNELS	34
NUMERICAL INDEX	36

Explanation of codes:

15 - All components in machine are rated for 120 Volts ac, (15 Amps)

20 - All components in machine are rated for 120 Volts ac, (20 Amps)

35 (120/240V) - Tank heater rated for 240 volts ac, all other components rated for 120 volts ac (20 Amps)

DV - Dual Voltage. 2 tank heaters with toggle switch

“SINGLE AXIOM” - Replaced “SINGLE CDBC” 15” trunk, brew station warmer only, FULL/HALF batch

A - All components in machine are rated for 240 volts ac.

B - All components are rated for either 100 volts ac, or 200 volts ac.

CE - All components are rated for 230 volts ac for use in Europe.

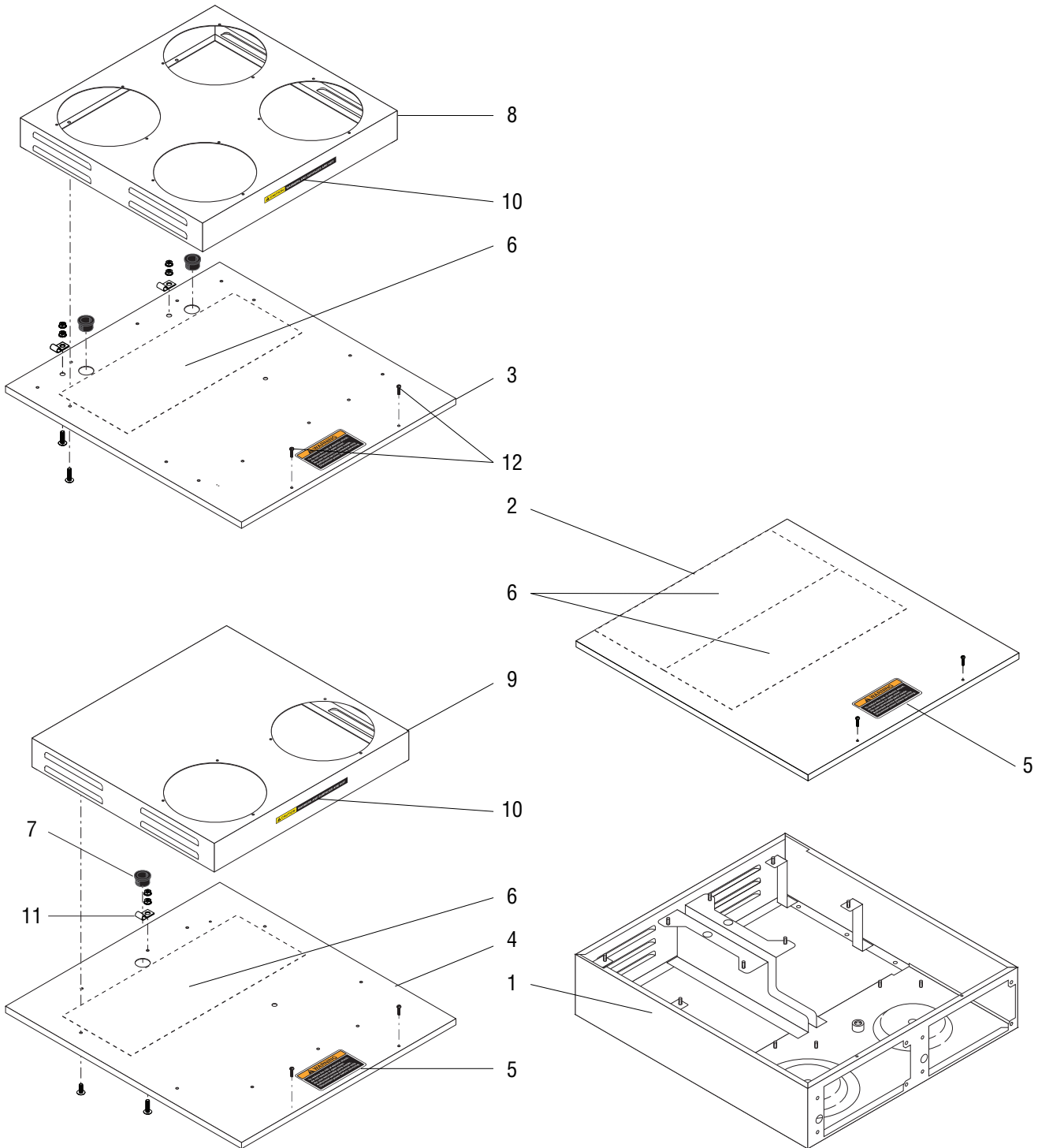
TWIN - 2 brewers in 1 chassis.

APS - Airpot Server (No warmers)

TC - Thermal Carafe (No warmers)

TS - Thermal Server (No warmers)

Fraction	Decimal		Fraction	Decimal
1/16	0.063		9/16	0.563
1/8	0.125		5/8	0.625
3/16	0.188		11/16	0.688
1/4	0.250		3/4	0.750
5/16	0.313		13/16	0.813
3/8	0.375		7/8	0.875
7/16	0.438		15/16	0.938
1/2	0.500		1	1.000

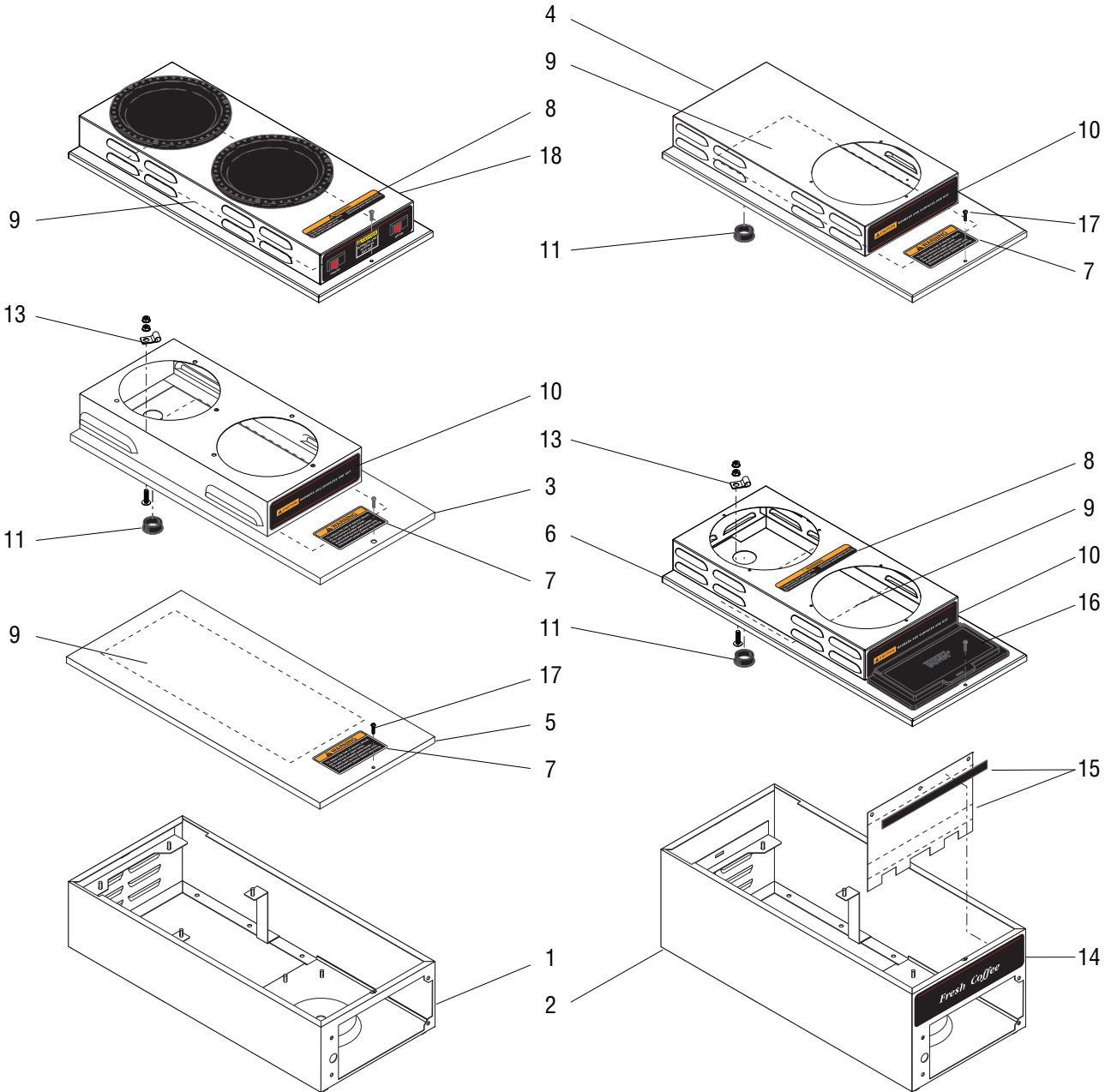


* Indicates the part number listed is OBSOLETE.

4 ^ Indicates the part number listed is for reference only.

TWIN HOOD AND TOP COVERS

ITEM	PART NO.	DESCRIPTION
1	29314.0005 02308.0000	1 Housing, Hood (Twins) 8 Screw # 8-32 x .375"
2	23260.1004	1 Cover, Top No Warmers 0/6 & APS Twins (Includes Items 5 & 6)
3	23260.1005	1 Cover, Top 4/2 Twins (Includes Items 5 & 6)
4	25864.1001	1 Cover, Top 2/2 Twins (Includes Items 5 & 6)
5	37881.0000	1 Decal, No User Serviceable Parts
6	25151.0007	# Shield, Level Probe Insulator 5.25" x 13.325"
7	01592.0000	# Bushing, Snap 1.0" Dia.
8	24254.0001 01347.0000	1 Housing, Warmer 4/2 Models (Includes item 10) 10 Screw, Truss Head #6-32 x .38"
9	24254.0002 01347.0000	1 Housing, Warmer 2/2 Models (Includes item 10) 10 Screw, Truss Head #6-32 x .38"
10	12364.0000	1 Decal, Caution-Warmers are Hot
11	41760.1000 01326.0007 00971.0000	2 Clip, Cable - SST (Includes screw & nuts) 2 Screw, TRH SLTD 10-32x.75" 4 Nut, Keps #10-32 Zinc Pl
12	01303.0000	2 Screw, Pan Head - SST #4-40 x .5"



* Indicates the part number listed is OBSOLETE.

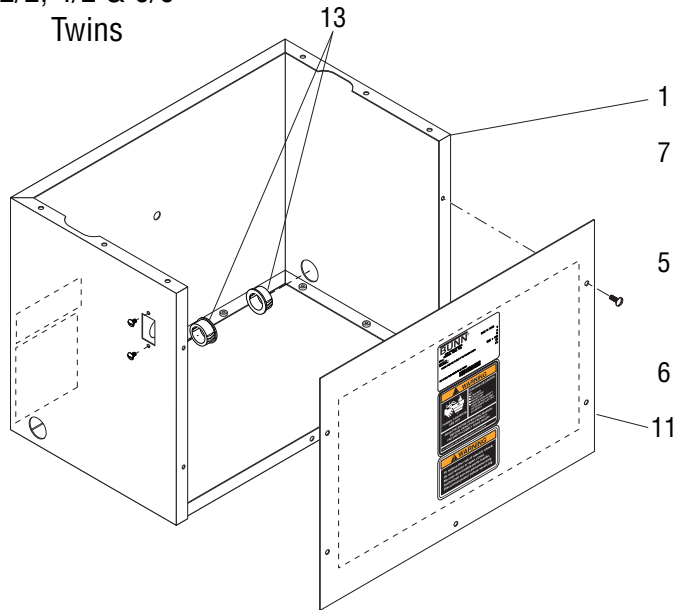
6 ^ Indicates the part number listed is for reference only.

SINGLE HOODS AND TOP COVERS

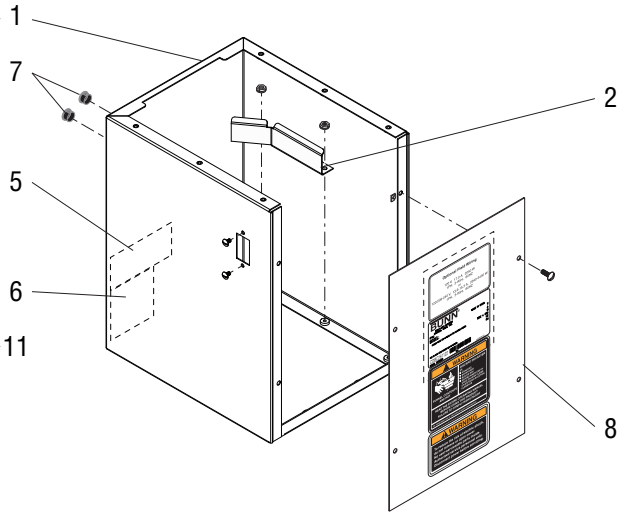
ITEM	PART NO.	DESCRIPTION
1	34063.0003 02308.0000	1 Housing, Hood SST (Singles) 6 Screw # 8-32 x .375"
2	36757.1000 36757.1002 02308.0000	1 Housing, Hood SST (Pour in) (Includes Items 14 & 15) 1 Housing, Hood BLK (Pour in) (Includes Items 14 & 15) 6 Screw # 8-32 x .375"
3	34069.1000 25312.1004	1 Cover Assembly SST, 2 Warmer (Includes Items 7, 9 & 10) 1 Cover Assembly BLK, 2 Warmer (Includes Items 7, 9 & 10)
4	25312.1007	1 Cover Assembly SST, 1 Warmer/Front (Includes Items 7, 9 & 10)
5	34070.1001	1 Cover, Top No Warmers (Includes Items 3, 4)
6	38496.1002 38496.1006	1 Cover Assembly SST, 2 Warmer (Includes Items 8-10 & 16) (Pour in only) 1 Cover Assembly BLK, 2 Warmer (Includes Items 8-10 & 16) (Pour in only)
7	37881.0000	1 Decal, No User Serviceable Parts
8	37881.0002	1 Decal, No User Serviceable Parts (Pour in Model only)
9	25151.0000 25151.0007	1 Shield, Level Probe Insulator 5.0" x 7.312" (Pour in Model only) 1 Shield, Level Probe Insulator 5.25" x 13.325" (All Models Except Pour in)
10	02765.0000	1 Decal, Caution-Warmers and Surfaces are Hot
11	01592.0000	1 Bushing, Snap 1.0" Dia.
12	12364.0000	1 Decal, Caution-Warmers are Hot
13	41760.1000 01326.0007 00971.0000	1 Clip, Cable - SST (Includes screw & nuts) Screw, TRH SLTD 10-32x.75LG 2 Nut, Keps #10-32 Zinc Pl
14	32143.0000	1 Decal "Fresh Coffee" (Pour in only)
15	37182.0001	1 Board Shield Kit (Pour in only)
16	38498.1000	1 Flip Lid Assembly (Pour in only)
17	01303.0000 01303.0002	1 Screw, Pan Head - SST #4-40 x .5" 1 Screw, Pan Head - BLK #4-40 x .5"
18	41841.1000 11444.0000 41840.0000 02765.0002 03652.0000	1 Cover Assy, SST, 2 Wmr w/Sw (Includes Decals, Switches, Warmers, & Harness) 2 Switch, Lighted - 120V 1 Wiring Harness 1 Decal, Caution-Warmers and Surfaces are Hot (Switch Cut Out) 2 Warmer Assembly, 120V 100W

* Indicates the part number listed is for reference only. See DESCRIPTION for possible service replacement.

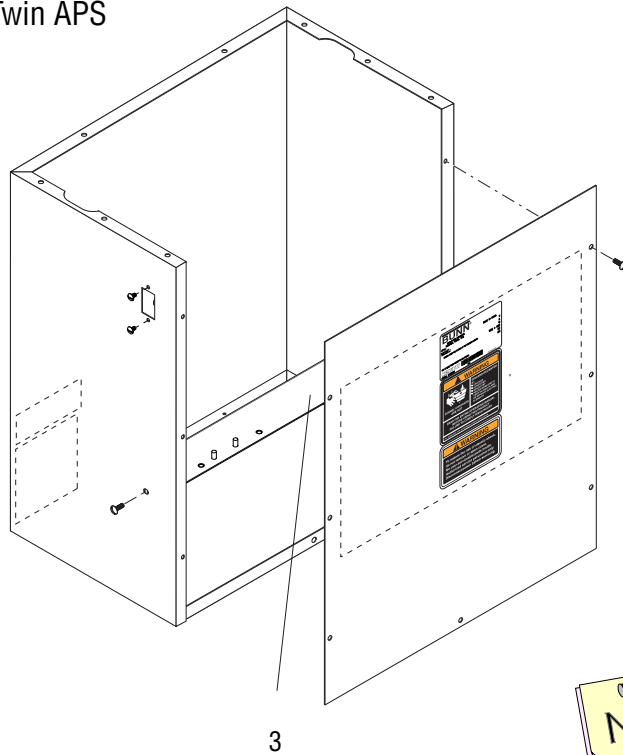
2/2, 4/2 & 0/6
Twins



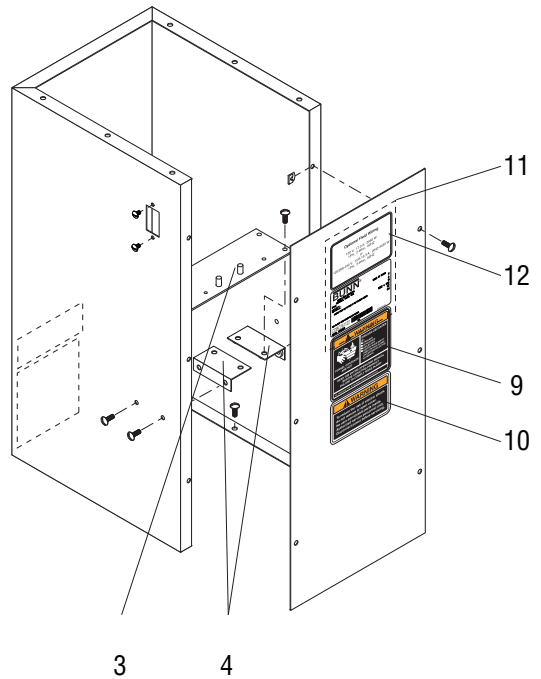
Standard Trunk



Twin APS



APS Shown, TC Similar



Second style trunks shown (rectangular switch hole)
For newer models with toggle switch, refer to first
style trunks on next page.

TRUNKS

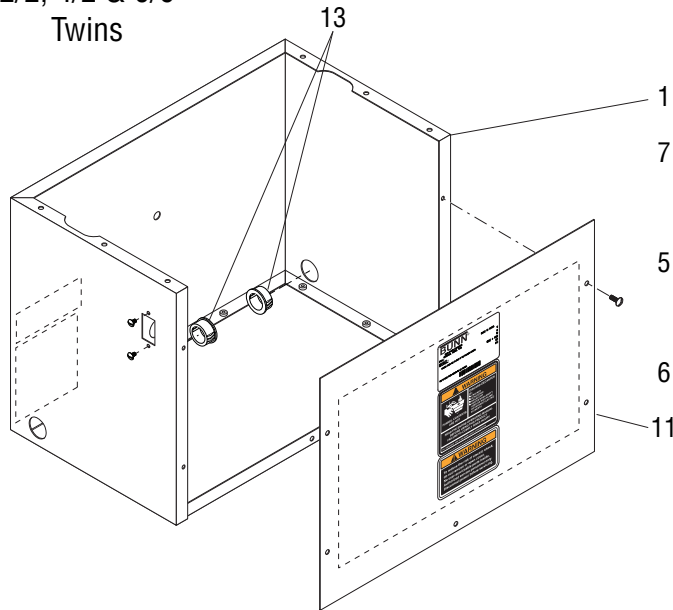
ITEM	PART NO.	QTY. TWIN	QTY. SINGLE	DESCRIPTION	
1	34061.1000	-	1	Trunk, SST, 11.69" Standard (No Switch)	
	25352.0005	-	1	Trunk, BLK, 11.69" Standard (No Switch)	
	34061.1020	-	1	Trunk, SST, 11.69" Standard (w/Rocker Switch)	
	34061.0018	-	1	Trunk, BLK, 11.69" Standard (w/Rocker Switch)	
	34061.1001	-	1	Trunk, SST, 12.39" TC (No Switch)	
	34061.1021	-	1	Trunk, SST, 12.39" TC (w/Rocker Switch)	
	34061.1010	-	1	Trunk, SST, 15.69" Single Axiom (No Switch)	
	41402.1108	-	1	Trunk, SST, 15.69" Single Axiom (w/ON/OFF Toggle Switch)	
	34081.1000	-	1	Trunk, SST, 18.15" APS (No Switch)	
	34208.1008	-	1	Trunk, SST, 18.15" APS (w/Rocker Switch)	
	32325.0000	1	-	Trunk, SST, Twin APS (No Switch)	
	32159.1002	1	-	Trunk, SST, Twin APS (w/Rocker Switch)	
	29581.0000	1	-	Trunk, SST, 2/2, 4/2 & 0/6 Twins (No Switch)	
	23294.1009	1	-	Trunk, SST, 2/2, 4/2 & 0/6 Twins (w/Rocker Switch)(w/o Bushings)	
	23294.1014	1	-	Trunk, SST, 2/2, 4/2 & 0/6 Twins (w/Rocker Switch) (w/Bushings)	
		02308.0000	9	9	Screw SST #8-32 x .38"
		00970.0000	8	-	Nut, Keps #8-32 (Twin - APS Only)
	00988.0000	7	6	Fastener, "U" Type #6-32	
2	37930.0000	-	1	Channel, Cordset	
	00970.0000	-	2	Nut, Keps #8-32	
3	26287.0000	1	-	Bracket, Component Mounting (APS Only)	
	22733.0000	-	1	Bracket, Component Mounting (APS Only)	
	02308.0000	2	4	Screw #8-32 x .38"	
4	27929.0000	-	2	Bracket, (APS Only)	
	02308.0000	-	4	Screw #8-32 x .38"	
5	00656.0001	1	1	Decal, Compliance To Plumbing Code	
6	00986.0000	1	1	Decal, Warning-Electrical	
7	00669.0003	-	2	Plug	
8	11408.1002	-	1	Panel, SST, 11.645" Standard (Includes 9,10)	
	11408.1005	-	1	Panel, BLK, 11.645" Standard (Includes 9,10)	
	11408.1006	-	1	Panel, SST, 12.328" TC (Includes 9,10)	
	22730.1002	-	1	Panel, SST, 18.09" APS (Includes 9,10)	
	22730.1006	-	1	Panel, SST, 15.63" Single Axiom (Includes 9,10)	
	01382.0000	-	6	Screw, SST #6-32 x .38"	
	01382.0002	-	6	Screw, BLK #6-32 x .38"	
	26283.1000	1	-	Panel, SST, Twin APS (Includes 9,10)	
	23267.1000	1	-	Panel, SST, 4/2 & 0/6 Twins (Includes 9,10)	
	01315.0000	5	-	Screw, SST #8-32 x .38" (7 Used on APS)	
9	00658.0000	1	1	Decal, Warning-Decanter/Funnel	
10	37881.0000	1	1	Decal, No User Serviceable Parts	



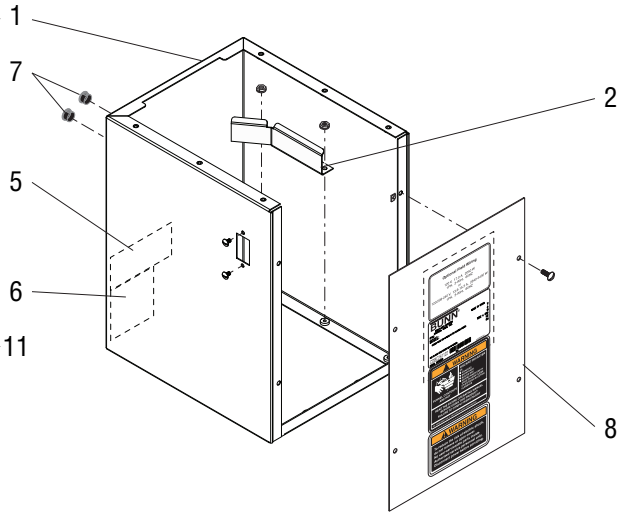
For newer models with toggle switch, refer to first style (no switch) trunks. All trunks include decals 5 & 6.

Continued on next page

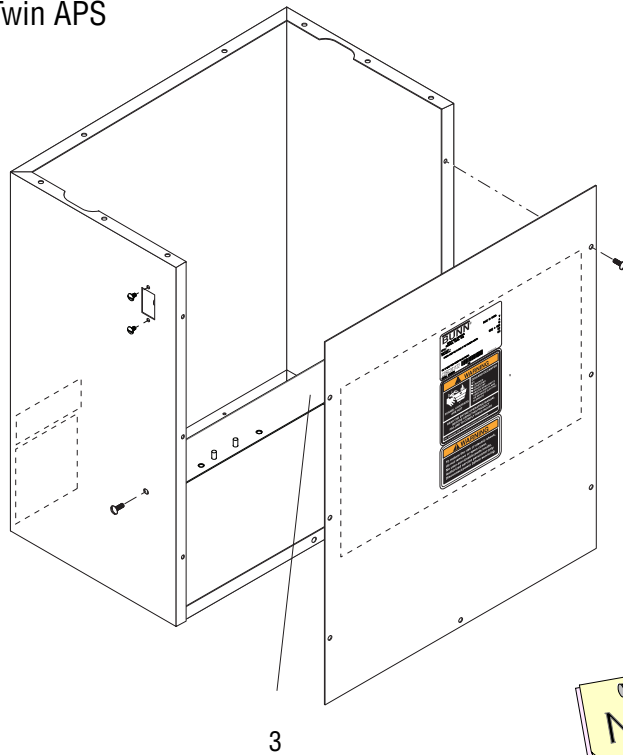
2/2, 4/2 & 0/6
Twins



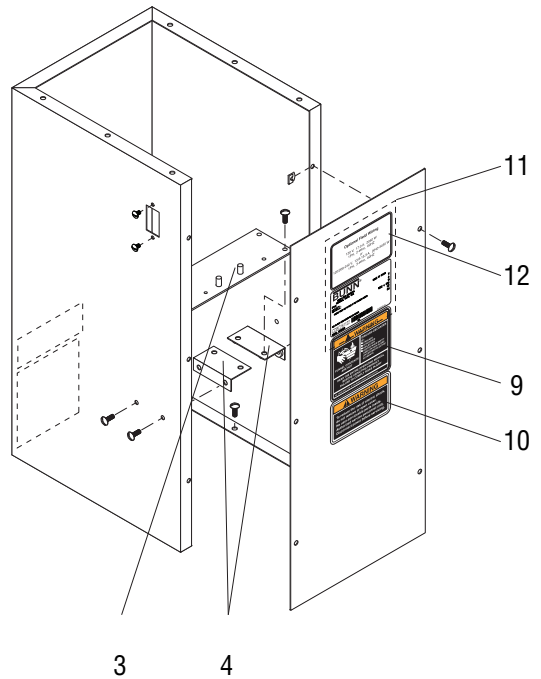
Standard Trunk



Twin APS



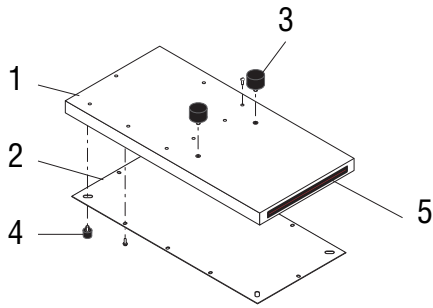
APS Shown, TC Similar



Second style trunks shown (rectangular switch hole)
For newer models with toggle switch, refer to first
style trunks on next page.

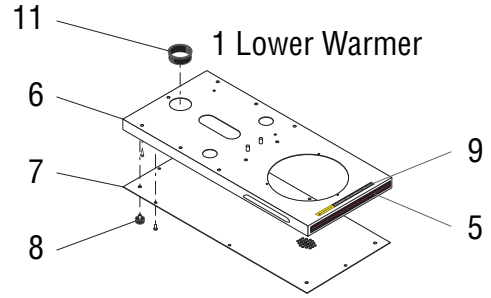
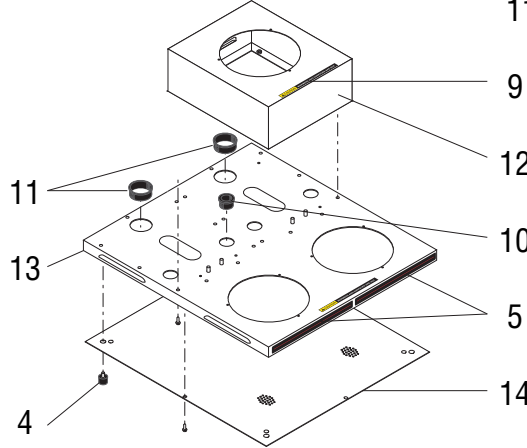
TRUNKS

ITEM	PART NO.	QTY. TWIN	QTY. SINGLE	DESCRIPTION
11	29077.0006	-	1	Schematic, Axiom-15, 20, 35, 120/208-240V
	29077.0007	-	1	Schematic, Axiom 230V
	29077.0008	-	1	Schematic, Axiom DV
	29077.0013	1	-	Schematic, Axiom Twin 4/2
	29077.0014	1	-	Schematic, Axiom Twin 0/6
	29077.0015	1	-	Schematic, Axiom Twin 2/2
	29077.0016	-	1	Schematic, Axiom 100V APS
	29077.0017	-	1	Schematic, Axiom 230V APS
	29077.0019	-	1	Schematic, <u>Single</u> Axiom 120V & 120/240V w/Half Batch
	29077.0020	-	1	Schematic, Axiom 100V w/Half Batch
	29077.0022	1	-	Schematic, Axiom Twin APS
12	29710.0004	-	1	Decal, Optional Field Wiring (APS/TC - DV Only)
	29710.0007	-	1	Decal, Optional Field Wiring (3 Warmer) (DV Only)
13	01592.0000	2	-	Bushing

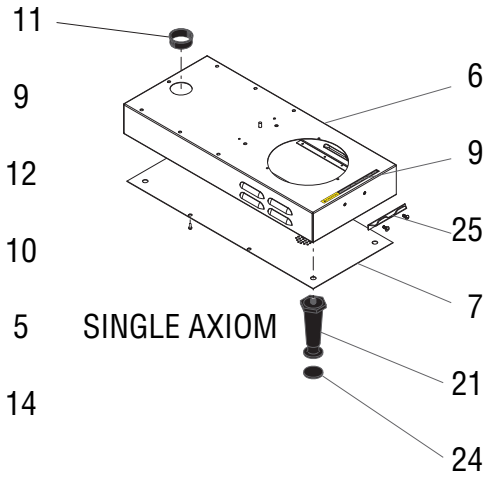


APS/TS

3 Lower Warmers

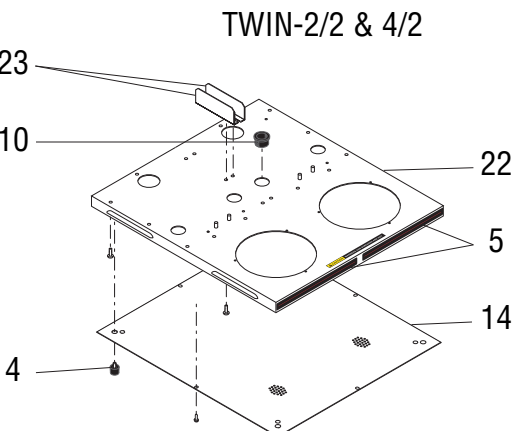
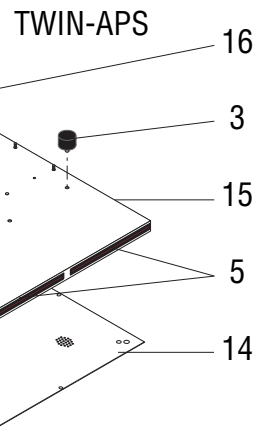
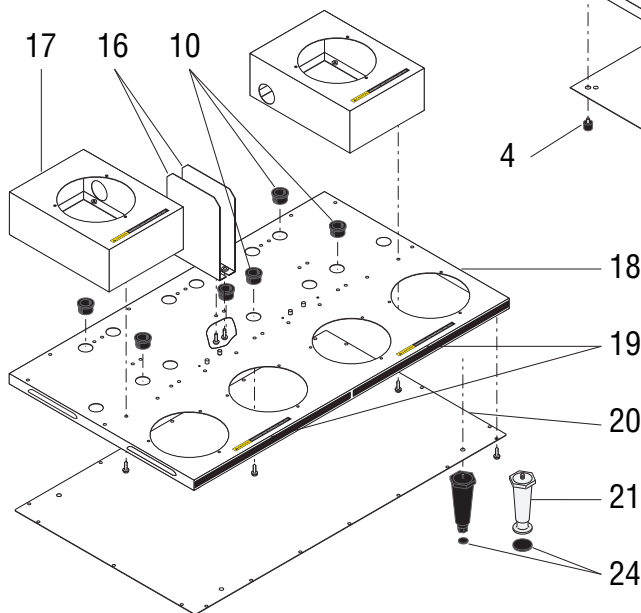


1 Lower Warmer



SINGLE AXIOM

TWIN-0/6



TWIN-2/2 & 4/2

* Indicates the part number listed is OBSOLETE.

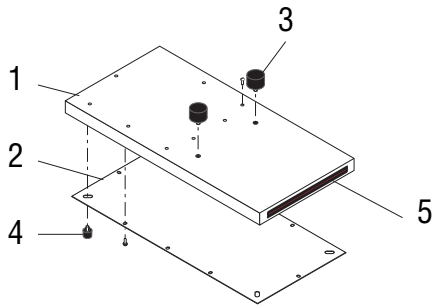
12 ^ Indicates the part number listed is for reference only.

BASES

ITEM	PART NO.	QTY. TWIN	QTY. SINGLE	DESCRIPTION
1	23321.0000	-	1	Base w/Decals, SST (Includes Item 5) APS
	23321.0001	-	1	Base w/Decals, SST (Includes Item 5) TS
	23321.0002	-	1	Base w/Decals, SST (Includes Item 5) APS (CE)
	23321.0003	-	1	Base w/Decals, SST (Includes Item 5) TS (CE)
	23321.0004	-	1	Base w/Decals, BLK (Includes Item 5) APS
2	22999.0000	-	1	Plate, Base
	02332.0002	-	8	Screw, Hex-Crimptite #6-32 x .38"
3	00754.0001	4	2	Locator
4	25137.0001	-	4	Foot
	24600.0000	-	-	Set of 4 feet
5	22306.0000	2	1	Decal, Red Decorative Stripe
6	25351.0000	-	1	Base, 1 Warmer w/Decals, SST (Includes Items 5 & 9)
	25351.0001	-	1	Base, 1 Warmer w/Decals, SST (Includes Items 5 & 9) (CE)
	25351.0002	-	1	Base, 1 Warmer w/Decals, BLK (Includes Items 5 & 9)
	34065.1001	-	1	Base, 1 Warmer w/Decals, SST (Single Axiom Only)
7	24805.0000	-	1	Plate, Base 1 Warmer
	24805.0002	-	1	Plate, Base 1 Warmer (Single Axiom Only)
	02332.0002	-	4	Screw, Hex-Crimptite #6-32 x .38"
8	25137.0000	-	4	Foot
	35712.0000	-	-	Set of 4 feet
9	12364.0000	#	#	Decal, Caution-Warmers/Surfaces are Hot (Refer to Illustration for QTY.)
10	01592.0000	#	#	Bushing, Snap 1.0" (Refer to Illustration for QTY.)
11	01593.0000	#	#	Bushing, Snap 1.5" (Refer to Illustration for QTY.)
12	25658.0000	-	1	Housing, Side Warmer SST (Includes Item 9)
	25658.0002	-	1	Housing, Side Warmer BLK (Includes Item 9)
	02308.0000	-	7	Screw, #8-32 x .38"
13	25657.0000	-	1	Base, 3 Warmers w/Decals, SST (Includes Items 5 & 9)
	25657.0001	-	1	Base, 3 Warmers w/Decals, SST (Includes Items 5 & 9) CE
	25657.0002	-	1	Base, 3 Warmers w/Decals, BLK (Includes Items 5 & 9)
14	12667.0001	-	1	Plate, Base 3 Warmers
15	26413.0000	1	-	Base w/Decals, SST (Includes Item 5) TWIN-APS
	26413.0001	1	-	Base w/Decals, BLK (Includes Item 5) TWIN-APS
16	29822.0000	2	-	Guard, Wiring
	02308.0000	4	-	Screw, #8-32 x .38"
17	23698.1001	2	-	Housing, Side Warmer BLK (Includes # 9)
	23698.1002	1	-	Housing, Left Side Warmer SST (Includes # 9)
	23698.1003	1	-	Housing, Right Side Warmer SST (Includes # 9)
	02308.0000	14	-	Screw, #8-32 x .38"
18	24253.0001	1	-	Base w/Decals, SST (Includes Items 9 & 20) TWIN 0/6
	24253.0002	1	-	Base w/Decals, BLK (Includes Items 9 & 20) TWIN 0/6
	02308.0000	12	-	Screw, #8-32 x .38"

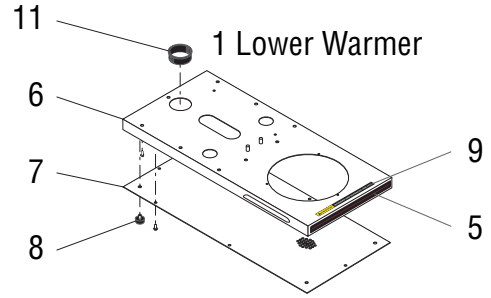
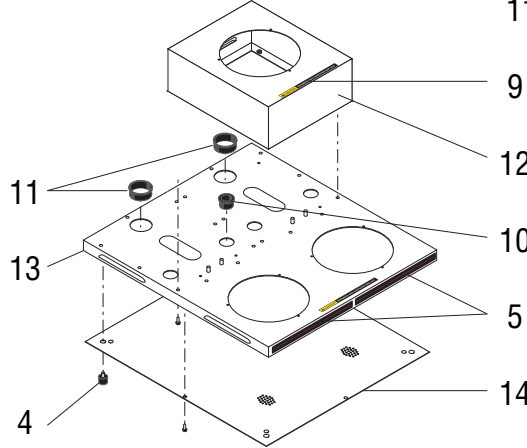
Continued on next page

* Indicates the part number listed is for reference only. See DESCRIPTION for possible service replacement.

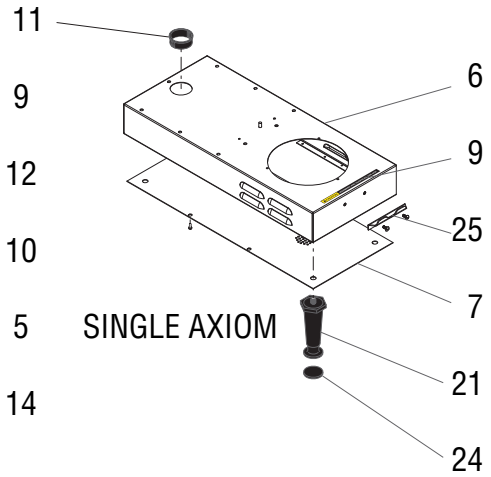


APS/TS

3 Lower Warmers

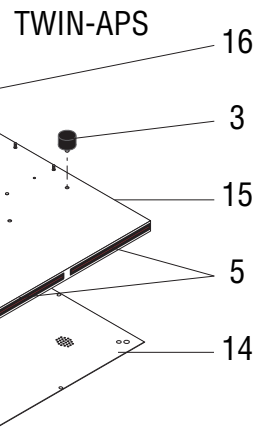
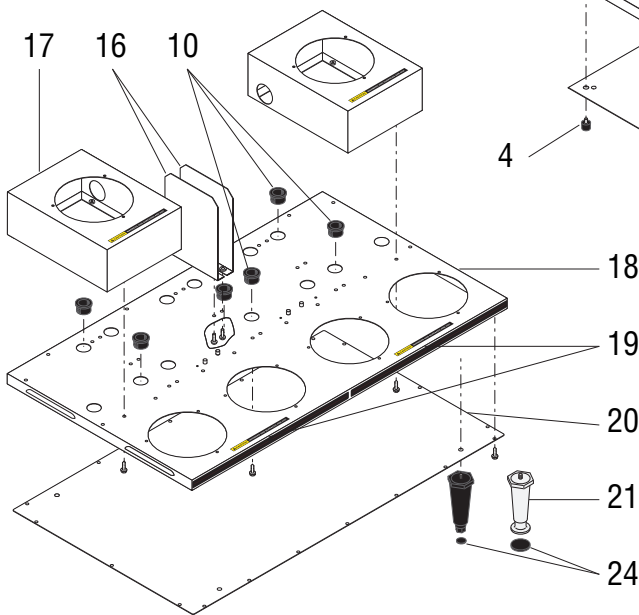


1 Lower Warmer



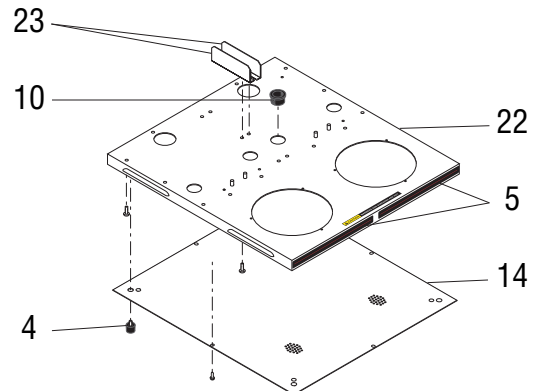
SINGLE AXIOM

TWIN-0/6



TWIN-APS

TWIN-2/2 & 4/2

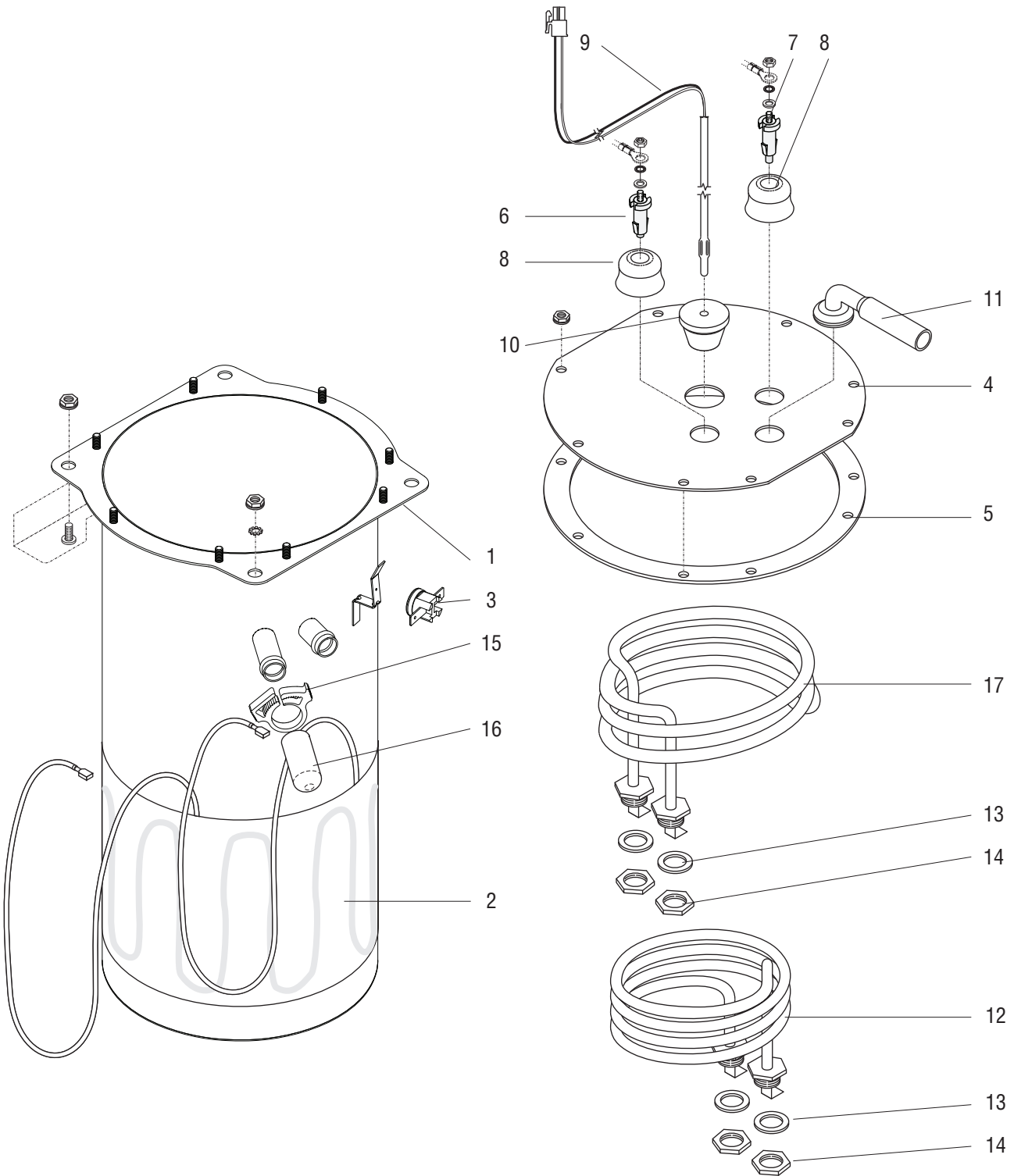


* Indicates the part number listed is OBSOLETE.

^ Indicates the part number listed is for reference only.

BASES

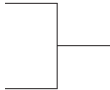

ITEM	PART NO.	QTY.		DESCRIPTION
		TWIN	SINGLE	
19	24230.0000	2	1	Decal, Red Decorative Stripe
20	23329.0000	1	-	Plate, Base, TWIN 0/6
	02332.0002	18	-	Screw, Hex-Crimptite #6-32 x .38"
21	03359.0001	4	-	Leg, 4" Adjustable, Black Plastic, .25"-20
	13255.0005	-	-	Set of 4
	00511.0000	-	4	Leg, 4" Adjustable, Satin Nickel (Optional)
	00511.1000	-	1	Set of 4
	26528.0001	-	4	Leg, 4" Adjustable, Black Plastic, .25"-20 (Single Axiom Only)
22	24253.0000	1	-	Base w/Decals, SST (Includes Items 6 & 10) TWIN 2/2 & 4/2
	24253.0003	1	-	Base w/Decals, BLK (Includes Items 6 & 10) TWIN 2/2 & 4/2
	02308.0000	12	-	Screw, #8-32 x .38"
23	26953.0000	2	-	Guard, Wiring
	02308.0000	4	-	Screw, #8-32 x .38"
24	03996.0000	4	-	Pad, 1.25" (4 used on Single Axiom Only)
	03993.0000	-	4	Pad, .70"
25	21104.0003	-	1	Server Stop, Bolt On
	01347.0000	-	2	Screw, Trh Serr SST 6-32x .375"



* Indicates the part number listed is OBSOLETE.

16 ^ Indicates the part number listed is for reference only.

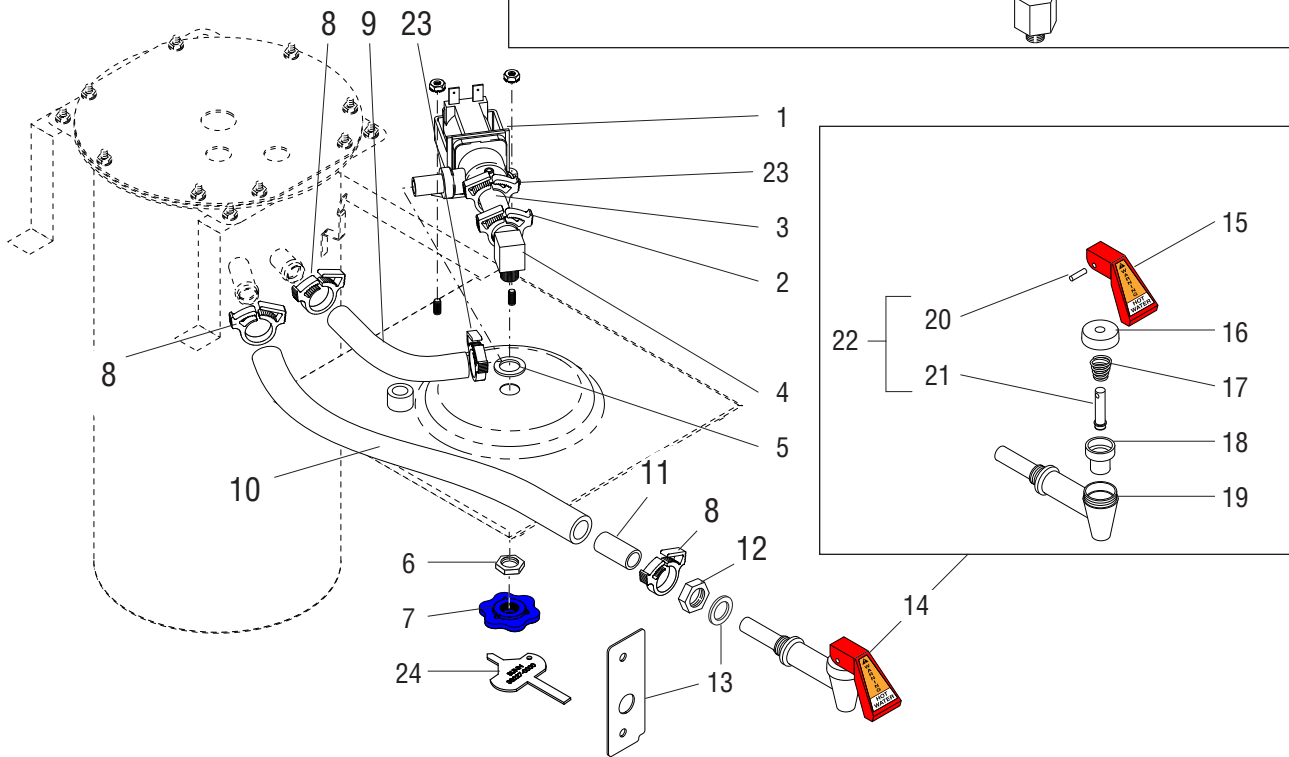
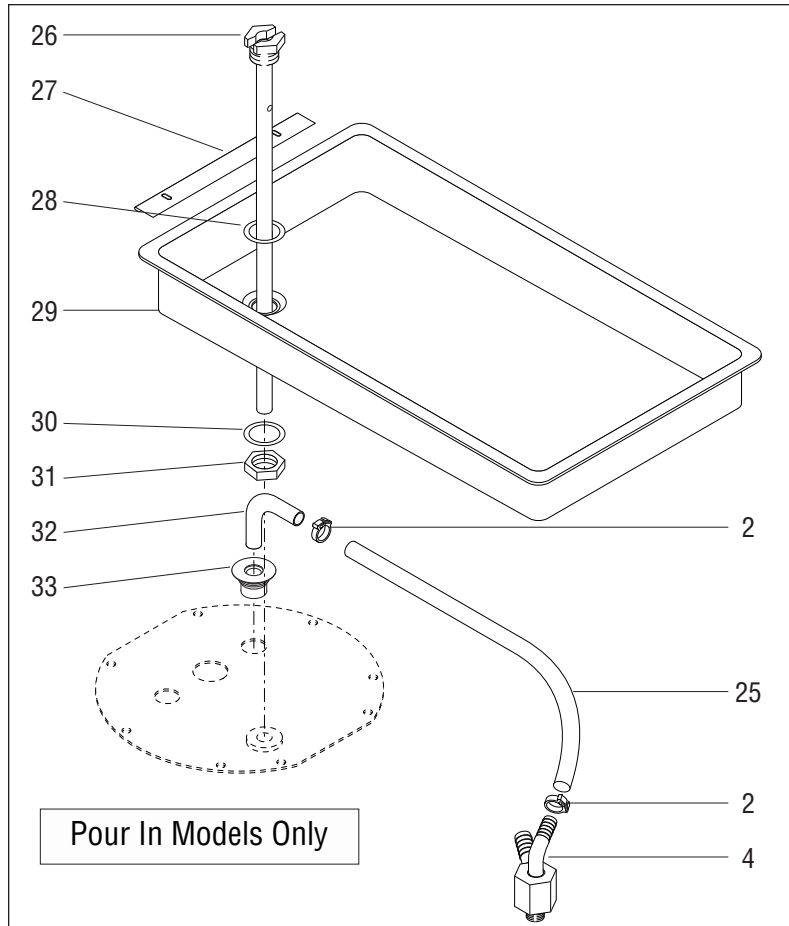
TANK AND COMPONENTS

ITEM	PART NO.	QTY. TWIN	QTY. SINGLE	DESCRIPTION
1	33937.0003	2	1	Tank, (One Heater)
	33937.0004	-	1	Tank, DV (Two Heaters)
	00908.0000	10	5	Nut, #8-32
	01511.0000	2	1	Lockwasher, Ext. Tooth #8
2	04260.0000	2	1	Blanket Warmer 50W, 120V
	01927.0000	-	1	Blanket Warmer 50W, 220V
	01928.0000*	-	1	Blanket Warmer 50W, 220V (Obsolete, Order # 01927.0000)
3	29329.1000	2	1	Thermostat, Limit
4	28735.0002	2	1	Tank Lid, 2 - Probe
	28735.0003	-	1	Tank Lid, 2 - Probe (PO)
	00908.0000	16	8	Nut #8-32
5	04221.0000	2	1	Gasket, Tank Lid
6	07412.1002	2	1	Probe Kit, Liquid Level 1.25"
7	07412.1003	2	1	Probe Kit, Brew Logic 1.625" (Blue Dot)
8	38114.0000	4	2	Grommet
9	39085.1001	2	1	Probe, Temperature Sensor 10.5"
10	33801.0001	2	1	Grommet, Temperature Sensor
11	38969.0001	2	1	Fitting, 90° Silicone
12	02755.1000	-	1	Tank Heater 1425W, 120V (Includes item 13)
	05037.1000	-	1	Tank Heater 3500W, 240V (Includes item 13)
	02805.1000	-	1	Tank Heater 1850W, 240V (Includes item 13)
	20942.1000	-	1	Tank Heater 3500W, 200V (Includes item 13)
	29669.1000	2	-	Tank Heater 3000W, 240V (Includes item 13)
13	00943.0000	4	2	Gasket, Tank Heater
14	00942.0000	4	2	Nut, Brass .5"-20
15	12422.0001	2	1	Clamp, SNP - 10  Models without Faucet
16	29279.0000	2	1	Cap  & Right Side of TWINS
17	29485.1001	-	1	Tank Heater 2268W, 120V (DV Only) (Includes item 14)

The Following Items Are Not Illustrated

18	34074.1019	-	1	Tank Kit, 1425W, 120V, (Includes 1-5, 8, 10, 12-15)
	34074.1020	-	1	Tank Kit, 3500W, 120V/240V, (Includes 1-5, 8, 10, 12-15)
	34074.1021	-	1	Tank Kit, 1850W, 240V, (A & CE) (Includes 1-5, 8, 10, 12-15)
	34074.1022	-	1	Tank Kit, 3500W, 200V, (B) (Includes 1-5, 8, 10, 12-15)
	34074.1023	-	1	Tank Kit, 1425/2268W, (DV) (Includes 1-5, 8, 10, 12-15, 17 & 19)
	34074.1024	2	-	Tank Kit, 3000W, 120V/240V, (Includes 1-5, 8, 10, 12-14)
	34074.1026	-	1	Tank Kit, 1425/2268W, (DV), (Includes 1-5, 8, 10, 12-15, 17) (Pour in)
	34074.1027	-	1	Tank Kit, 3500W, 230V, CE (Includes 1-5, 8, 10, 12-14)
	34074.1028	-	1	Tank Kit, 3500W, 240V, (Includes 1-5, 8, 10, 12-14) (Pour in)
	34074.1029	-	1	Tank Kit, 1800W, 120V, (Includes 1-5, 8, 10, 12-14)
	34074.1031	-	1	Tank Kit, 1425W, 120V, (Includes 1-5, 8, 10, 12-15, 17) (Pour in)

* Indicates the part number listed is for reference only. See DESCRIPTION for possible service replacement.



* Indicates the part number listed is OBSOLETE.

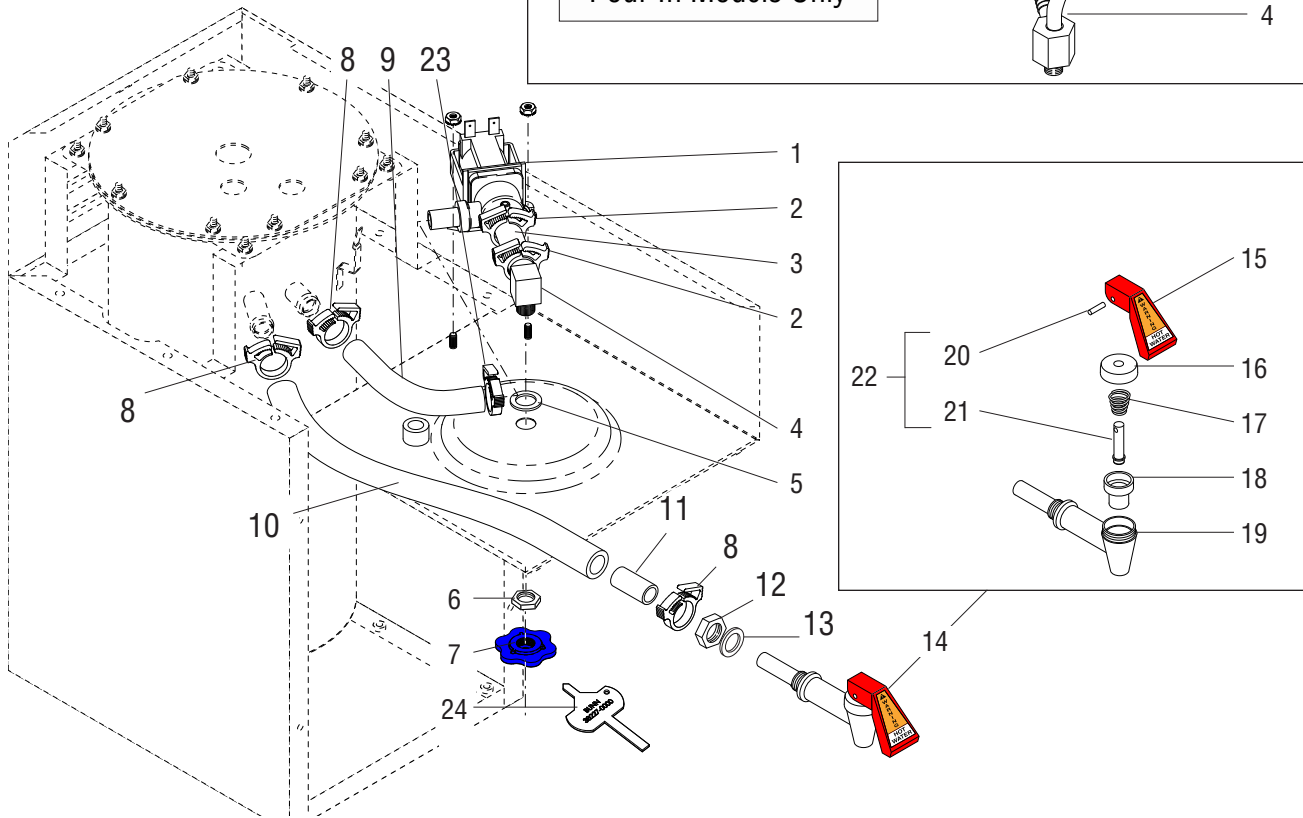
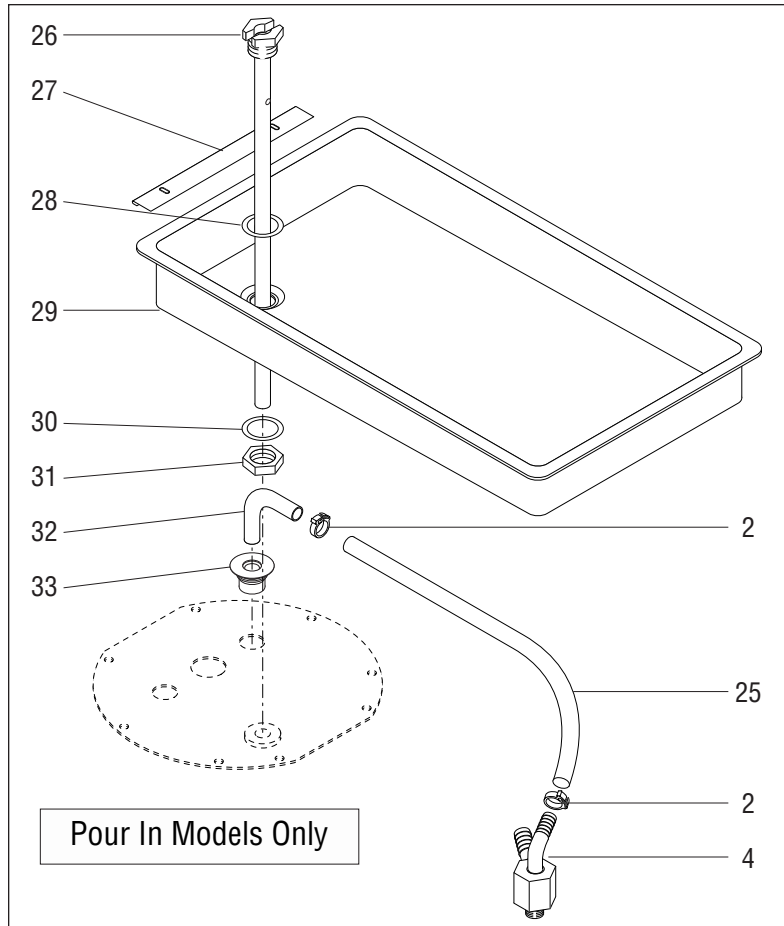
^ Indicates the part number listed is for reference only.

DISPENSE VALVE, SPRAYHEAD, & FAUCET

ITEM	PART NO.	QTY.	QTY.	DESCRIPTION
		TWIN	SINGLE	
1	27370.0000	2	1	Valve, Dispense (120v)
	27370.0001	2	1	Valve, Dispense (200v)
	27370.0002	2	1	Valve, Dispense (240v)
	00970.0000	4	2	Nut, KEPS #8-32
	11517.0008	-	-	Repair Kit, Dispense Valve (Includes Plunger, Spring and Diaphragm)
2	12422.0001	2	1	Clamp, SNP - 10 (2 Additional used in Pour In Models)
3	20976.0008*	2	1	Tube .375" ID x 1.625" (Order item 36)
4	39149.0002	2	1	Fitting
	28747.0001	-	1	Fitting (Pour In Models Only)
5	00943.0001	2	1	Gasket
6	01075.0000	2	1	Nut, Hex .438"-20
7	40670.0005	2	1	Sprayhead, 7 Hole
8	12422.0009	2	2	Clamp, SNP - 14
9	32591.0045*	1	1	Tube, Tank To Dispense Valve, .5" ID x .75" OD x 4.6" (Order item 35)
10	32591.0001*	1	1	Tube, .5" ID x .75" OD x 12.0" Long (Order item 34)
11	41193.0001*	1	1	Tube, .375" ID x .5" OD x 1.2" Long (Order item 34)
12	29264.0000	1	1	Nut, Hex .5"-20 UNF
13	01544.0000	-	1	Washer, .5" ID x .75" OD (Singles Only)
	44714.0000	1	-	Plate, Faucet Reinforcement (Twins Only)
14	29075.0000	1	1	Faucet Assembly. (Includes items 16 thru 22)
15	02861.0003	1	1	Handle, Red
16	02854.0000	1	1	Bonnet
17	02595.0000	1	1	Spring
18	02766.0000	1	1	Cup
19	02856.0005*	1	1	Faucet Body (Order item 15)
20	02858.0000	1	1	Pin, Spring
21	13054.0000	1	1	Stem
22	02594.0000	1	1	Faucet Stem w/Pin (Includes items 20 and 21)
23	12422.0005	4	2	Clamp, SNP - 12
24	38227.0000	1	1	Sprayhead Cleaning Tool
25	28526.0018*	-	1	Tube, Syphon, .313" ID x 12.25" (Order item 37)
26	34097.0000	-	1	Tube, Water Inlet
27	11424.0000	-	1	Plate, Splash Guard

Continued on next page

* Indicates the part number listed is for reference only. See DESCRIPTION for possible service replacement.

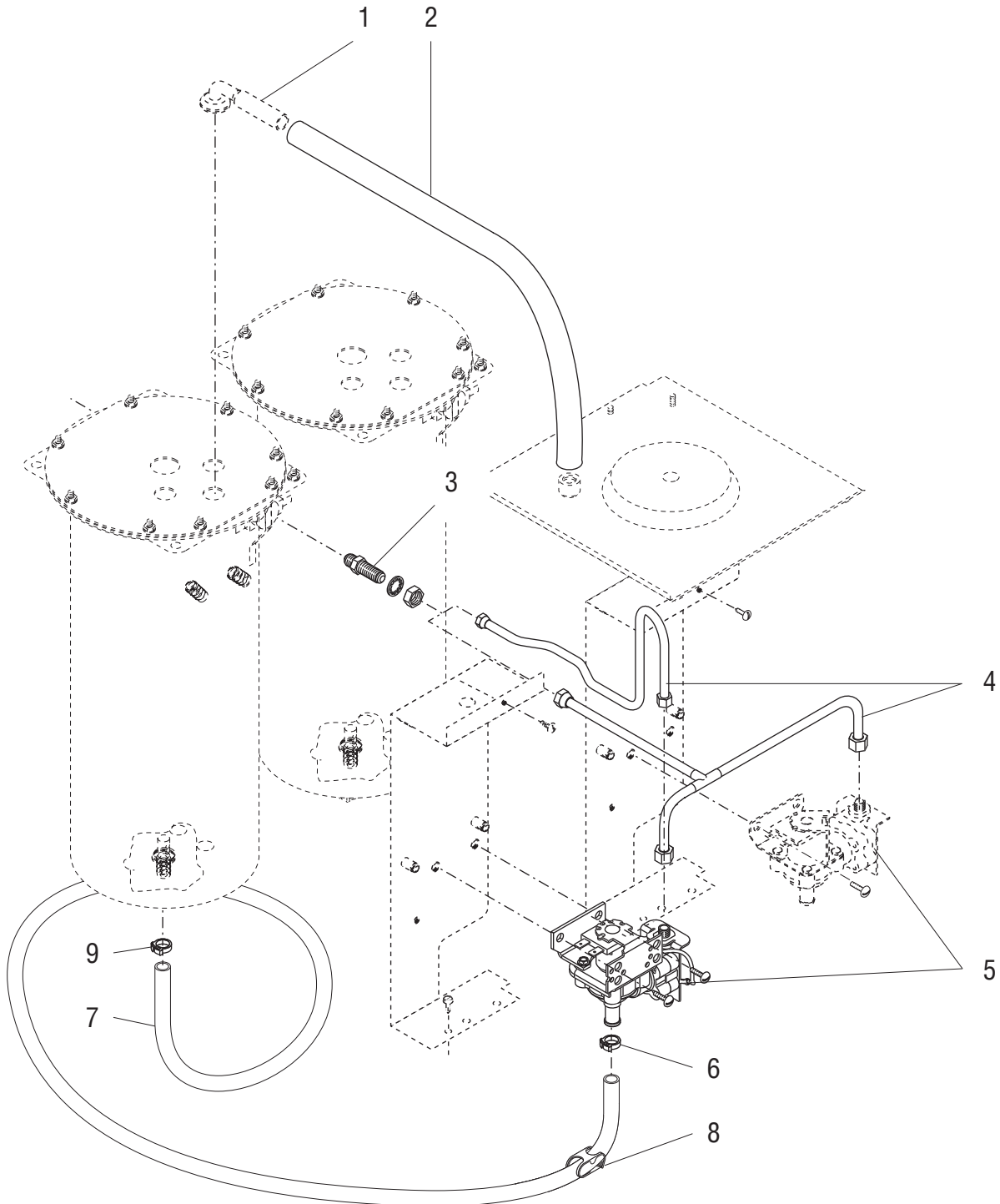


* Indicates the part number listed is OBSOLETE.

20 ^ Indicates the part number listed is for reference only.

DISPENSE VALVE, SPRAYHEAD, & FAUCET

ITEM	PART NO.	QTY.	QTY.	DESCRIPTION
		TWIN	SINGLE	
28	01540.0000	-	1	Washer, SST .75" ID x 1.0" OD
29	04270.0000	-	1	Fill Basin
30	01537.0000	-	1	Washer, Nylon .75" ID x 1.0" OD
31	00957.0000	-	1	Nut, Hex .75"-16
32	03102.0000	-	1	Elbow, 90° .375" OD
33	20248.0000	-	1	Grommet, Syphon
The Following Items Are Not Illustrated				
34	41499.1000	1	1	Faucet Tube Kit, All Models (Includes 8, 10, 11)
35	41499.1001	2	1	Dispense Tube Kit, Tank to Solenoid, All Models (Includes 8, 9, 23)
36	41499.1002	2	1	Dispense Tube Kit, Solenoid to Sprayhead, All Models (Includes 2 & 3)
37	41499.1003	-	1	Syphon Tube Kit, Pour In Models Only (Includes 2 & 25)



P3776.7

* Indicates the part number listed is OBSOLETE.

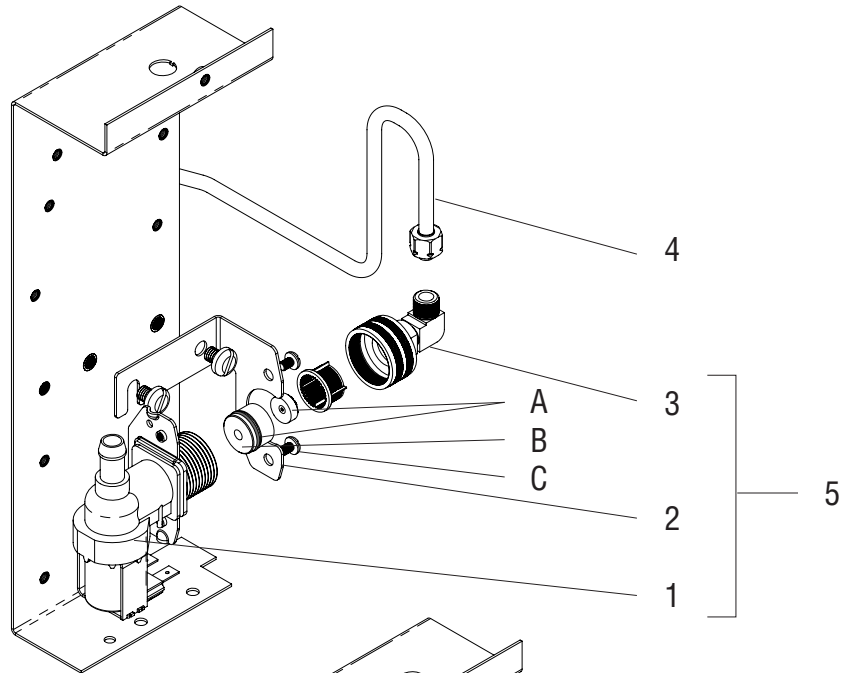
^ Indicates the part number listed is for reference only.

FILL SOLENOID VALVE AND DRAIN - EARLY MODELS

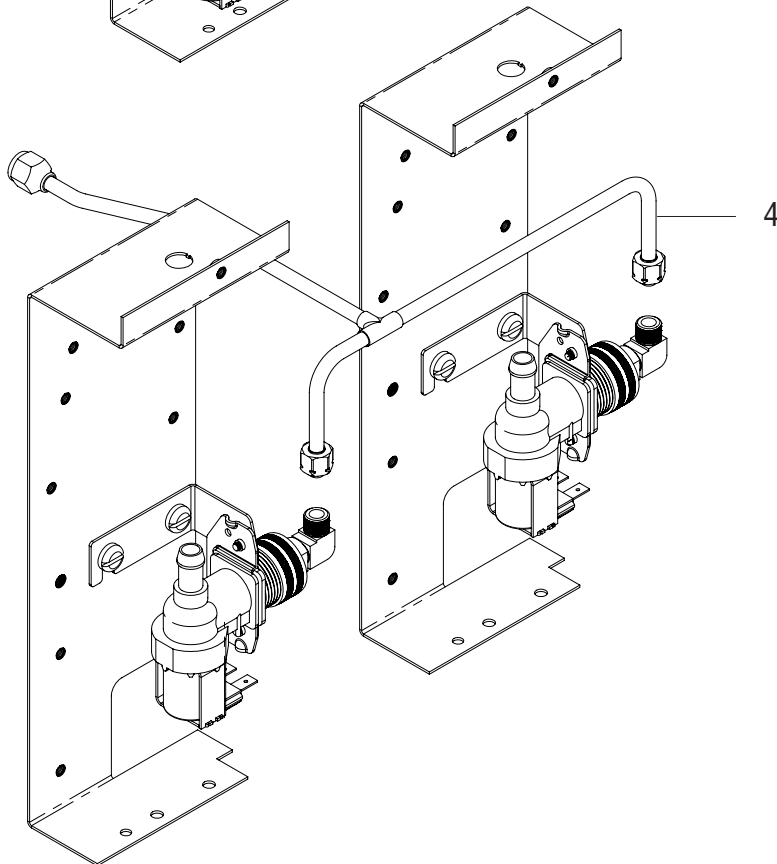
ITEM	PART NO.	QTY.		DESCRIPTION
		TWIN	SINGLE	
1	38969.0001	2	1	Fitting, 90° Silicone
2	32591.0012*	2	-	Tube .5" x 8.25" (Order item 11) (TWIN)
	32591.0013*	-	1	Tube .5" x 7" (Order item 11) (Single)
3	00459.0000	1	1	Fitting, Bulkhead 1/4" Flair
	01532.0000	1	1	Lockwasher, Int. Tooth .438"
	00463.0000	1	1	Nut, Hex .438"-20
4	29065.0000	-	1	Tube, Bulkhead to Solenoid (Single)
	29486.0000	1	-	Tube, Bulkhead to Solenoid (TWIN)
5	28750.0000*	2	1	Solenoid Assy (120v) (Not Available, Order # 12)
	28750.0001	2	1	Solenoid Assy (230v) See # 12 Also.
	28750.0002	2	1	Solenoid Assy (100v)
	28750.0003	2	1	Solenoid Assy (200v)
	02325.0001	4	2	Screw .25"-20 x .313"
	39975.0000	-	-	Solenoid Repair Kit (Includes Guide, Spring, Armature & Diaphragm)
	39975.0001	-	-	Guide
	39975.0002	-	-	Spring
	39975.0003	-	-	Armature (Plunger)
	39975.0004	-	-	Diaphragm
6	12422.0001	2	1	Clamp, SNP - 10
7	20976.0056*	2	1	Tube, Tank To Valve, .375"ID x 28.0" (Order # 10)
8	11630.0001	2	1	Clamp, Shut Off
9	12422.0006	2	1	Clamp, SNP - 8
The Following Items Are Not Illustrated				
10	20976.1001	-	-	Tube, .375" ID x 36" (Use as required)
	20976.1002	-	-	Tube, .375" ID x 120" (Use as required)
11	32591.1001	-	-	Tube, .5" ID x 12" (Use as required)
	32591.1002	-	-	Tube, .5" ID x 36" (Use as required)
12	41579.1000	2	1	Kit, Solenoid Retrofit (Includes Items 1-3) 120V
	41579.1002	2	1	Kit, Solenoid Retrofit (Includes Items 1-3) 230V
				} For retrofitting early models to new style shown on next page

* Indicates the part number listed is for reference only. See DESCRIPTION for possible service replacement.

SINGLES



TWINS



FILL SOLENOID VALVE AND DRAIN - LATER MODELS

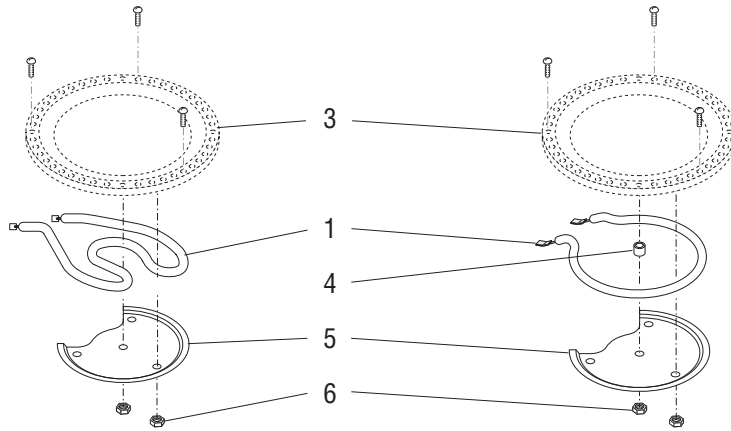
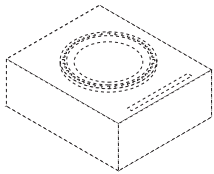
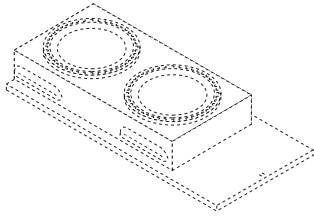
ITEM	PART NO.	QTY.	QTY.	DESCRIPTION
		TWIN	SINGLE	
1	42025.0000	2	1	Kit, Universal Replacement Solenoid, 120V
	42025.0001	2	1	Kit, Universal Replacement Solenoid, 230V
	A 20526.2500	4	2	Kit, .500GPM Flow Washer/O-Ring
	B 40056.0003	2	1	Insert, Flow Control Housing
	C 32283.0000	4	2	Screw, SST Slotted Panhead M4 X 6mm
2	41580.0000	2	1	Bracket (Production Only) Illustrated
	02325.0001	4	2	Screw .25"-20 x .313"
	41580.0001	2	1	Bracket (Retrofit Only) Not Illustrated
3	37297.0003	2	1	Elbow
4	41578.0000	-	1	Tube, Bulkhead to Solenoid (Single)
	41643.0000	1	-	Tube, Bulkhead to Solenoid (TWIN)

The Following Items Are Not Illustrated

5	43644.0000	-	-	Kit, Valve Rebuild
---	------------	---	---	--------------------

UPPER & SIDE HOUSING WARMERS

(A)

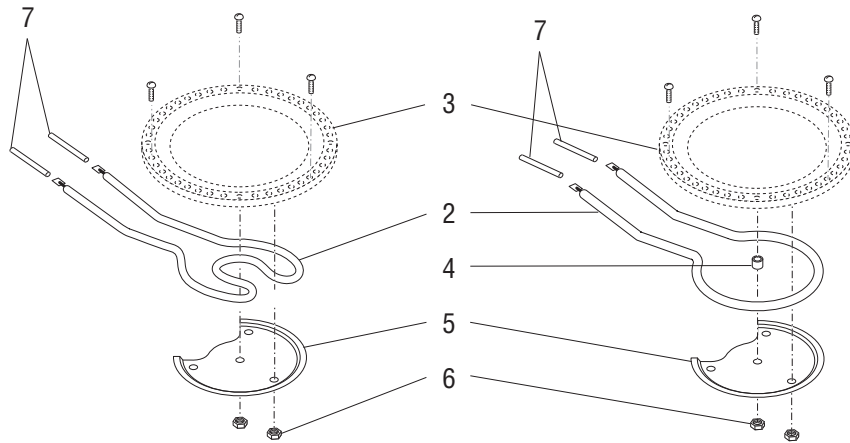
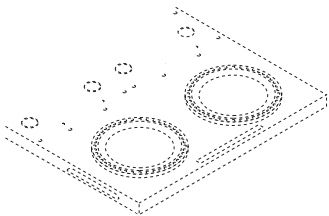
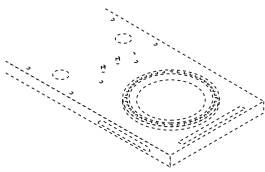


'A' & 'B' MODELS ONLY

120V & 120/240V MODELS ONLY

BASE WARMERS

(B)



'A' & 'B' MODELS ONLY

120V & 120/240V MODELS ONLY

* Indicates the part number listed is OBSOLETE.

^ Indicates the part number listed is for reference only.

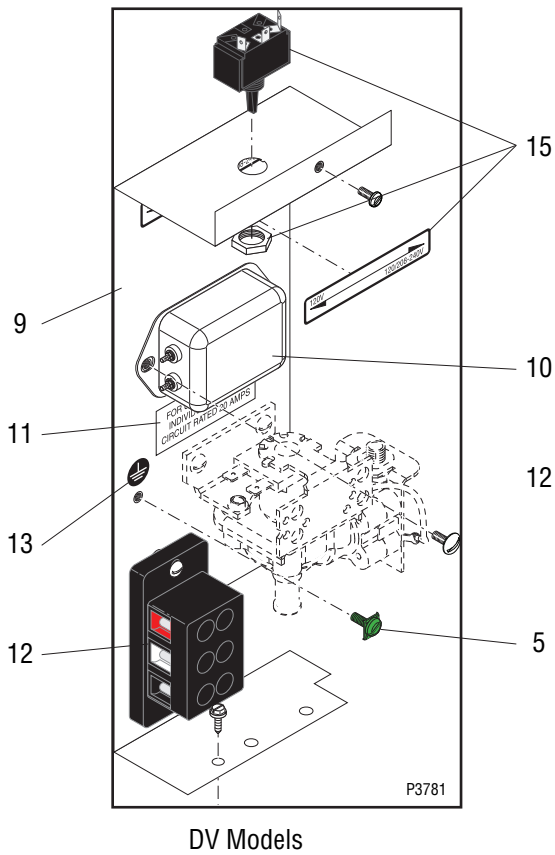
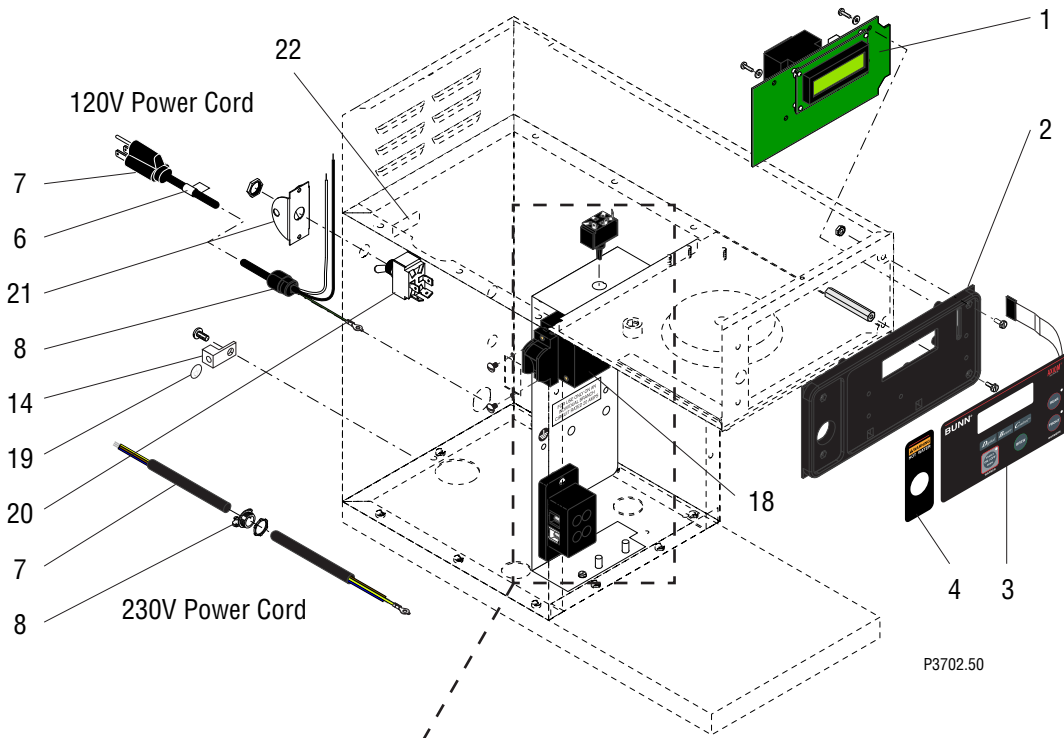
WARMER ASSEMBLIES

ITEM	PART NO.	DESCRIPTION	
A	03652.0000	1 Warmer Assembly 120V, Top & Side Warmers (Includes items 1, & 3 - 6)	
	11440.0009	1 Warmer Assembly 220V, Top & Side Warmers (Includes items 1, 3, 5, & 6)	
	11440.0011	1 Warmer Assembly 200V, Top & Side Warmers (Includes items 1, 3, 5, & 6)	
	01303.0000	3 Screw, Pan Head - SST #4-40 x .5"	
	01303.0002	3 Screw, Pan Head - BLK #4-40 x .5"	
	00916.0000	3 Fastener, J-Type #4-40	
	1	01227.0000	1 Warmer Element 120V Top & Side Warmers
		01951.0000	1 Warmer Element 220V Top & Side Warmers ("A" Models)
		01951.0001	1 Warmer Element 200V Top & Side Warmers ("B" Models)
	B	11440.0005	1 Warmer Assembly 120V, Base Warmers (Includes items 2-7) & Single CD
11440.0008		1 Warmer Assembly 220V, Base Warmers (Includes items 2, 3, 5, & 6)	
11440.0010		1 Warmer Assembly 200V, Base Warmers (Includes items 2, 3, 5, & 6)	
01303.0000		3 Screw, Pan Head - SST #4-40 x .5"	
01303.0002		3 Screw, Pan Head - BLK #4-40 x .5"	
00916.0000		3 Fastener, J-Type #4-40	
2		11442.0000	1 Warmer Element 120V Base Warmers & Single CD
		11438.0000	1 Warmer Element 220V Base Warmers ("A" Models)
		11438.0001	1 Warmer Element 200V Base Warmers ("B" Models)
3		03656.0000	1 Warmer Dish, Blk 45 Hole
4	13042.0001	1 Spacer, (120V Models Only)	
5	05212.0000	1 Plate, Element Retaining	
6	00970.0000	2 Nut, Keps #8-32	
7	04828.0001*	2 Tube, Silicone .25" Dia x 1.875" LG. (Order Item 8)	
The Following Items Are Not Illustrated			
8	04828.1001	- Tube, Silicone .25" Dia. x 24" LG (Use as required)	
9	24785.0002	1 Galley Kit, "C" Series, 3 Warmers	

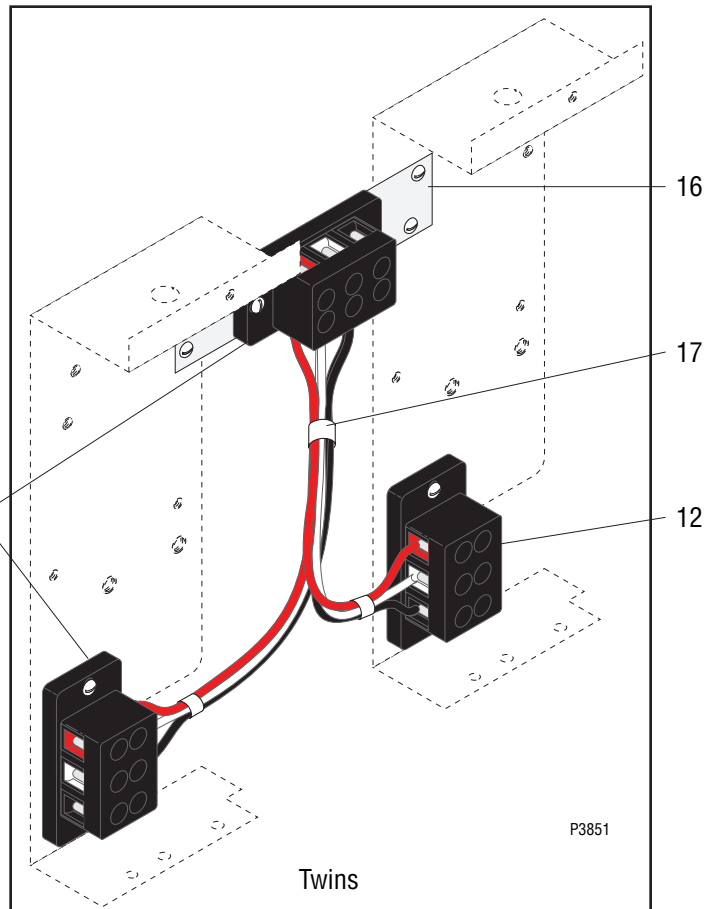


All warmers listed above are rated @ 100 watts

* Indicates the part number listed is for reference only. See DESCRIPTION for possible service replacement.



DV Models



Twins

* Indicates the part number listed is OBSOLETE.

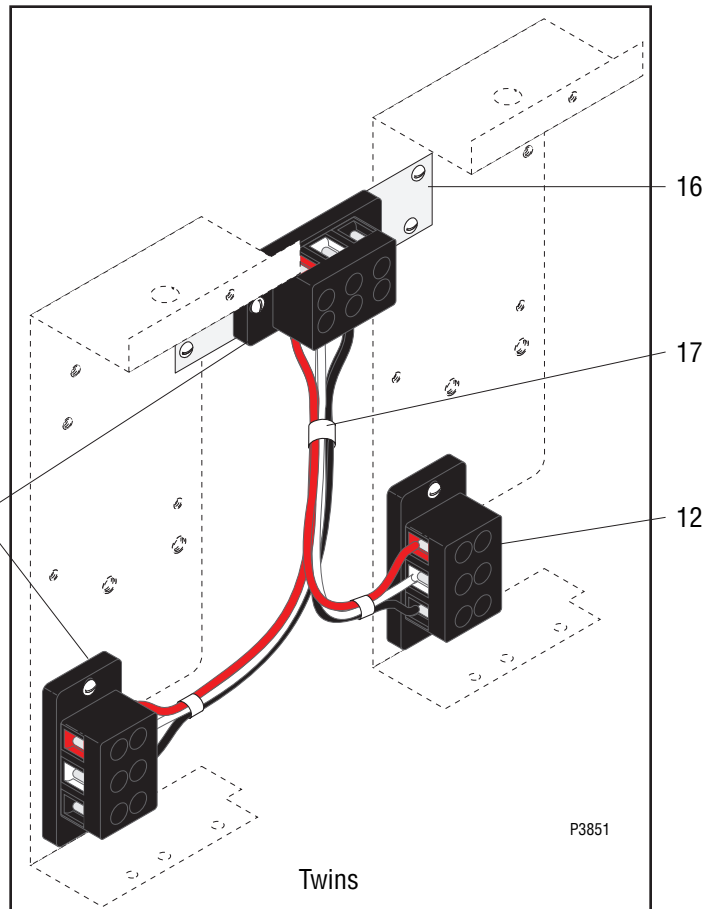
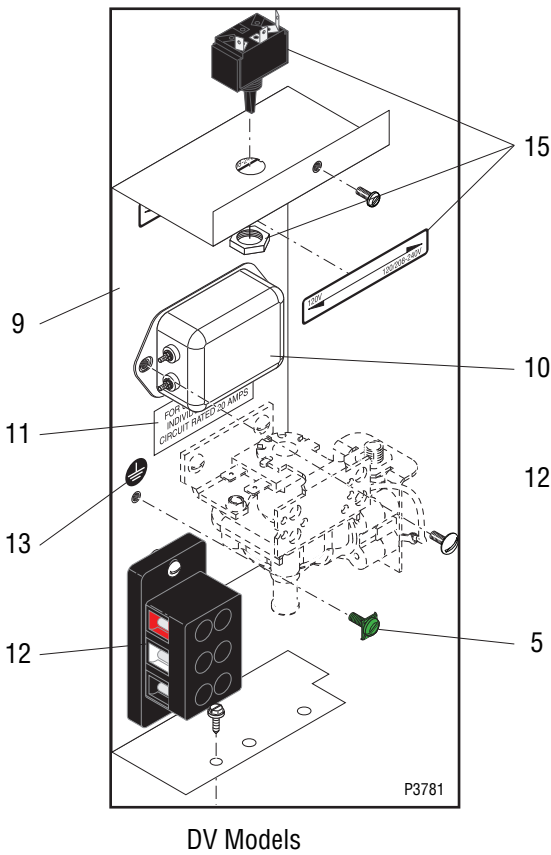
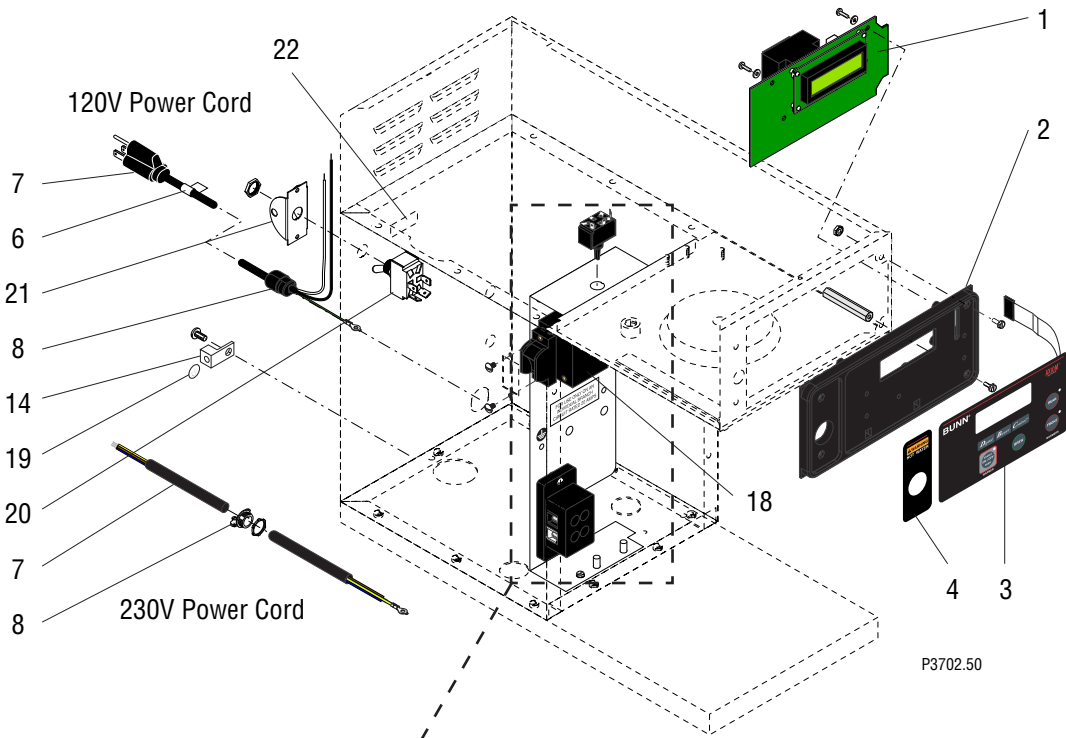
^ Indicates the part number listed is for reference only.

ELECTRICAL AND OPERATING CONTROLS

ITEM	PART NO.	QTY.		DESCRIPTION
		TWIN	SINGLE	
1	42533.1001	2	1	PC Board, Control (120V) "SINGLE AXIOM"; APS; TC Models (RoHS)
	42533.1002	-	1	PC Board, Control (240V) "SINGLE AXIOM"; APS; TC Models (RoHS)
	38760.1004	-	1	PC Board, Control (120V) APS 220V (RoHS) (CCC)
	38760.1010	-	1	PC Board, Control (240V) Full/Half Batch Switches-Left Side (RoHS)
	38760.1011	-	1	PC Board, Control (120V) Full/Half Batch Switches-Right Side (TC) (RoHS)
	38760.1014	-	1	PC Board, Control (120V) Full/Half Batch Switches-Left Side (RoHS)
	38044.0000	4	2	Screw, PNH Plastite #6 x .375"
	01518.0000	2	2	Washer, Nylon #6
2	38842.0000	2	1	Face Plate
	29082.0000	8	4	Screw, Hex-head #6-32 x .5"
	00973.0000	6	3	Nut, Keps #6-32
	29263.0000	2	1	Nut, Standoff #6-32 x 2.0"
3	38876.0001	1	1	Switch, Membrane - 3 Warmers (Right)
	38876.0002	2	1	Switch, Membrane - APS/TC
	38876.0004	-	1	Switch, Membrane - "SINGLE AXIOM" Full/Half Batch Switches-Right Side
	38876.0005	1	1	Switch, Membrane - 3 Warmers (Left)
	38876.0007	-	1	Switch, Membrane - 1L/2U (Right) Full/Half Batch Switches-Left Side
	38876.0008	-	1	Switch, Membrane - "TC" Full/Half Batch Switches-Right Side
	38876.0011	-	1	Switch, Membrane - 1L/1U
	4	29007.0000	1	1
29265.0000		1	1	Decal, Faucet Hole Cover (Brewers without Faucet)
5	01309.0000	1	1	Screw, Grounding #10-32 x .5" (2 used in 0/6 Twin)
6	06064.0000	-	1	Label, Cord Warning
7	01719.1000	-	1	Power Cord, 120V (Model 15 Only)
	23799.0001	-	1	Power Cord, 120V (Model 20 Only)
	38074.0000	-	1	Power Cord Assy (Includes item 6) (CE)
8	01686.0000	-	1	Bushing, Strain Relief (120V 15A Models only)
	05746.0000	-	1	Bushing, Strain Relief (200V-240V, 230V CE & DV Models)
	01590.0000	1	-	Bushing, Strain Relief (Twins Only)
9	28740.0003	2	1	Bracket, Component Mtg. DV & CE 11"
	28740.0004	-	1	Bracket, Component Mounting 15" ("SINGLE Axiom" Only)
	28740.0005	2	1	Bracket, Component Mtg. 11" (A & B Models Only)
	02308.0000	2	1	Screw #8-32 x .375"
	02332.0001	2	1	Screw, Hex Crimptite #6-32 x .25"
10	29446.0004	-	1	EMI Filter 250V 10 Amps (CE)
	01315.0000	-	2	Screw, Truss Head #8-32 x .375"
11	00985.0000	-	1	Decal, Individual Circuit Info
12	01106.0000	-	1	Terminal Block, 2-pole 120v (Black-White)
	01106.0001	-	1	Terminal Block, 2-pole 240v (Black-Red)
	01106.0003	-	1	Terminal Block, 2-pole 230v (Brown-Blue) (CE)
	07038.0000	3	1	Terminal Block, 3-pole 120/240v (Black-White-Red)
	01317.0000	6	2	Screw #8-32 x .5"
13	00824.0002	1	1	Decal, Ground
14	27705.0000	-	1	Terminal Lug (CE)
	01327.0000	-	1	Screw, PNH 10-32 x .375"
15	23522.0001	-	1	Toggle Switch (Includes Nut)
	23696.0000	-	1	Nut, Hex
	34056.0000	-	1	Decal, (120V-120/240V)

Continued on next page

* Indicates the part number listed is for reference only. See DESCRIPTION for possible service replacement.



* Indicates the part number listed is OBSOLETE.

^ Indicates the part number listed is for reference only.

ELECTRICAL AND OPERATING CONTROLS

ITEM	PART NO.	QTY.		DESCRIPTION
		TWIN	SINGLE	
16	23376.0000	1	-	Bracket, Term. Block Mounting
	02308.0000	3	-	Screw, Pan Head #8-32 x .38"
17	29484.0000	1	-	Wiring Harness, Terminal Block (Twins w/o On/Off Switch)
	29484.0001	1	-	Wiring Harness, Term. Block - Term. Block
	38920.0000	-	1	Wiring Harness, Term. Block to Switch (Singles)
	38920.0002	1	-	Wiring Harness, Term. Block to Switch (Twins)
18	38894.0001	-	1	Switch, On/Off
	01308.0002	3	-	Screw, Truss Head #6-32 x .25"
19	00824.0001	1	1	Decal, Equipotentiality
20	40763.0001	-	1	Toggle Switch (Includes Nut)
	23696.0000	-	1	Nut, Hex
21	25102.0000	-	1	Bracket, Switch Indicator/Guard
22	41405.0000	-	1	Decal, Main On/Off

The Following Items Are Not Illustrated

23	24204.0000	1	1	Wiring Harness, (P1,2,3) to Left Side Warmers
	24204.0001	1	1	Wiring Harness, (P1,2,3) to Right Side Warmers
24	34707.0004	-	1	Wiring Harness, EMI Filter to Term Block (CE)
25	39048.0000	2	1	Wiring Harness, Level Probes to Board
26	21016.0011	-	1	Lead, Grn/Yel, 15" LG (CE)
	21016.0012	-	1	Lead, Grn/Yel, 10" LG (CE)
	21016.0027	-	2	Lead, Grn/Yel, 26" LG (CE)
27	29072.0000	-	1	Wiring Harness, Main 120V (Single Axiom-15 Only)
	29072.0016	-	1	Wiring Harness, Main 120V 1 lower/2 upper warmers
	29072.0017	-	1	Wiring Harness, Main 120V 3 lower warmers right
	29072.0035	-	1	Wiring Harness, Main 120V 3 lower warmers left
	29072.0023	-	1	Wiring Harness, Main 100V, 200V & 230V-CE 1 lwr/2 upr (w/EMI Filter)
	29072.0022	-	1	Wiring Harness, Main 200V & 230V 3 lower warmers
	29072.0004	2	-	Wiring Harness, Main Twin APS (w/3 Term. Blocks)
	34055.0000	-	1	Wiring Harness, Main DV 3 warmer models
	34055.0001	-	1	Wiring Harness, Main DV APS/TC

The Following Harnesses are for Later Models With On/Off Rocker Switch

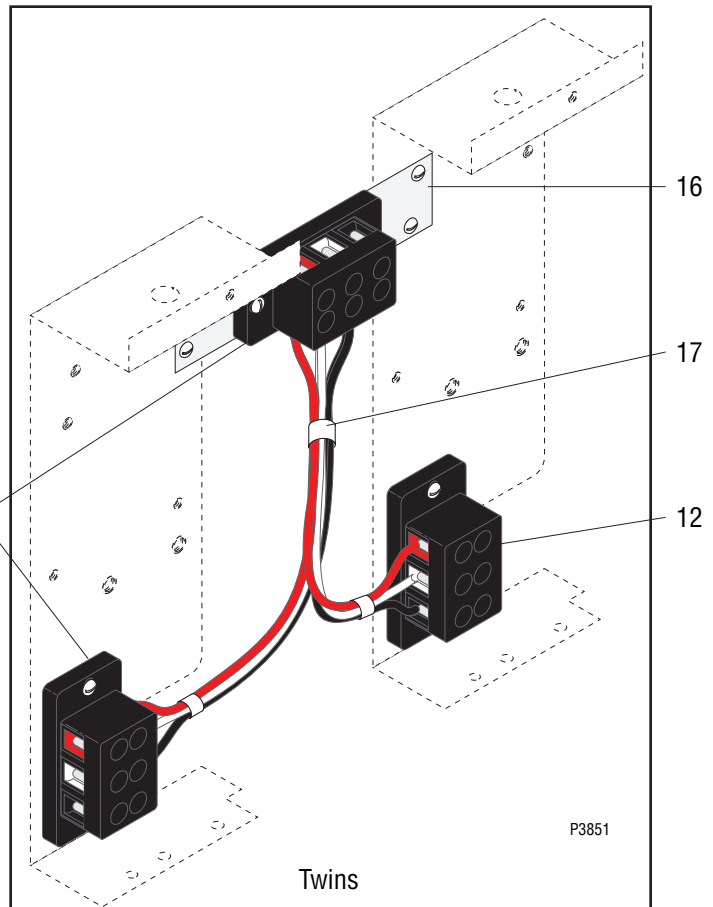
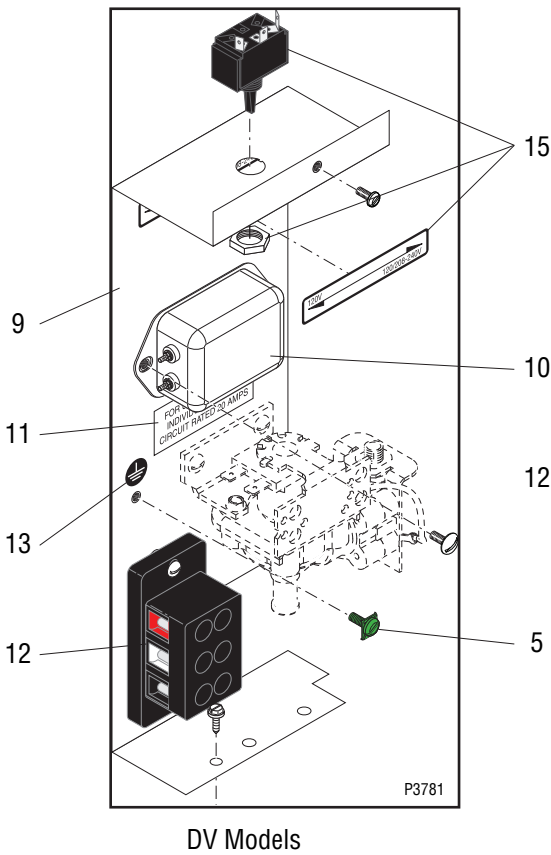
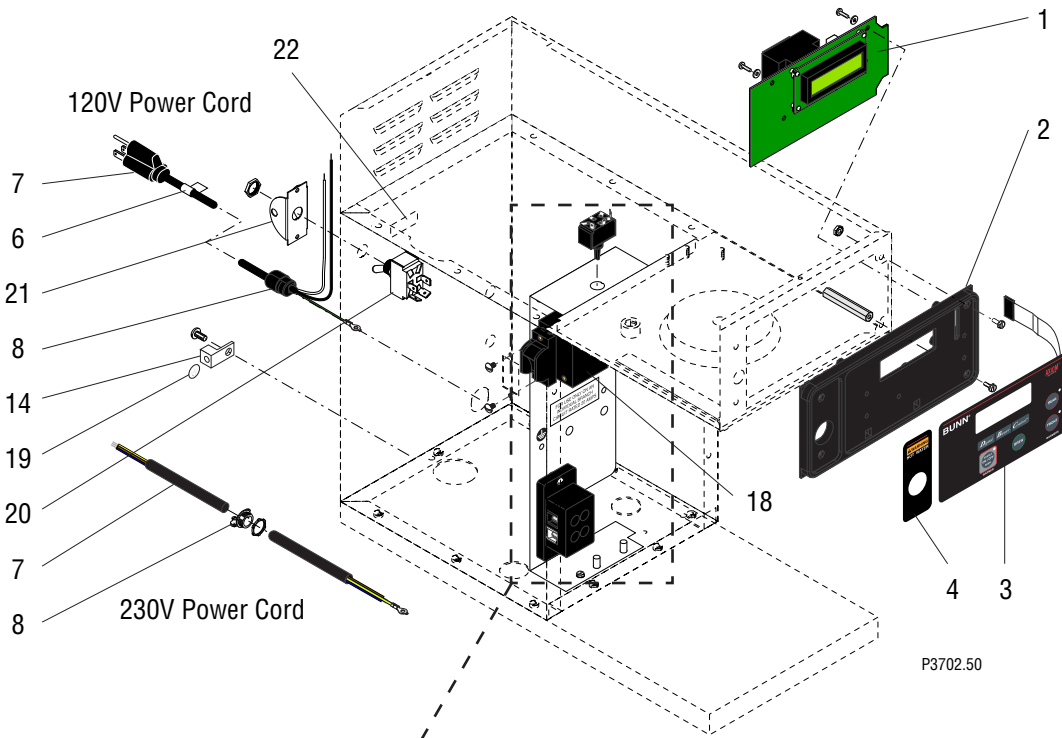
28	40666.0000	1	-	Wiring Harness, Main 120/240V 0/6 TWIN models
	40666.0001	1	-	Wiring Harness, Main 120/240V 4/2 TWIN models
	40666.0005	1	-	Wiring Harness, Main Twin APS 120/240V (w/1 Term Block)
	29072.0025	-	1	Wiring Harness, Main 120/240V 1 lower/2 upper warmers
	29072.0026	-	1	Wiring Harness, Main 120/240V 3 lower warmers
	34055.0006	-	1	Wiring Harness, Main DV 120/240V 3 lower warmers
	34055.0007	-	1	Wiring Harness, Main DV 120/240V 1 lower/2 upper warmers

The Following Harnesses are for Later Models With On/Off Toggle Switch

29	29072.0036	-	1	Wiring Harness, Main 100V APS
	41390.0000	-	1	Wiring Harness, Main Axiom35, 3 Lower Right
	41390.0001	-	1	Wiring Harness, Main Axiom35, 1 Lower/ 2 Upper
	41390.0003	-	1	Wiring Harness, Main Axiom-DV, 1 Lower/ 2 Upper
	41390.0007	-	1	Wiring Harness, Main Axiom-DV, APS/TC
	41390.0008	-	1	Wiring Harness, Main (Single Axiom-35 Only)
	41390.0030	-	1	Wiring Harness, Main Axiom-DV, 3 Lower Right

Continued on next page

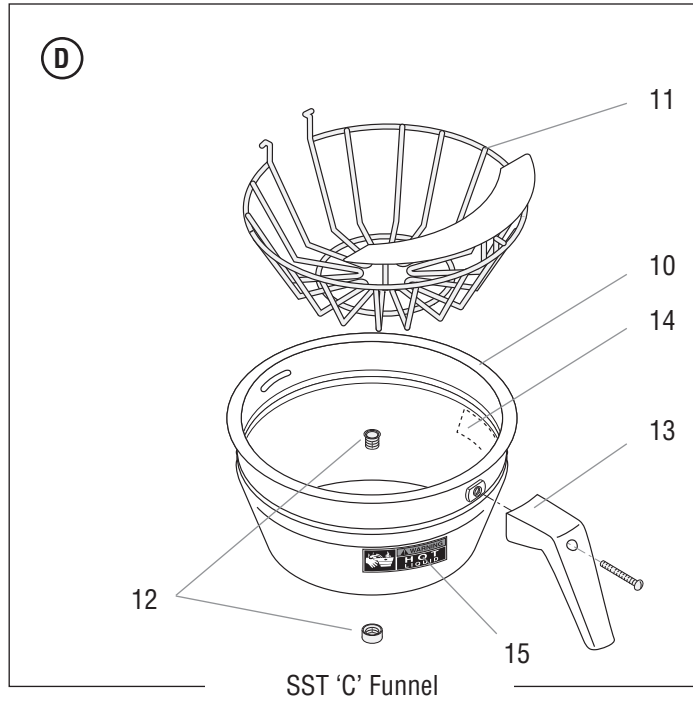
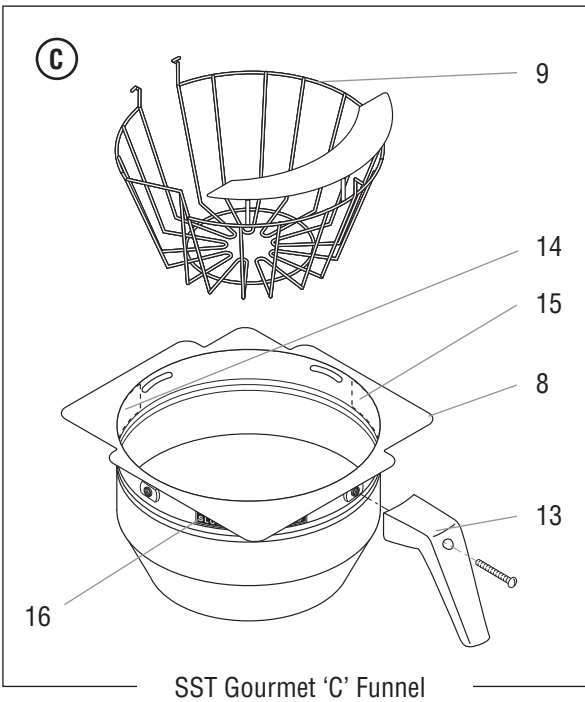
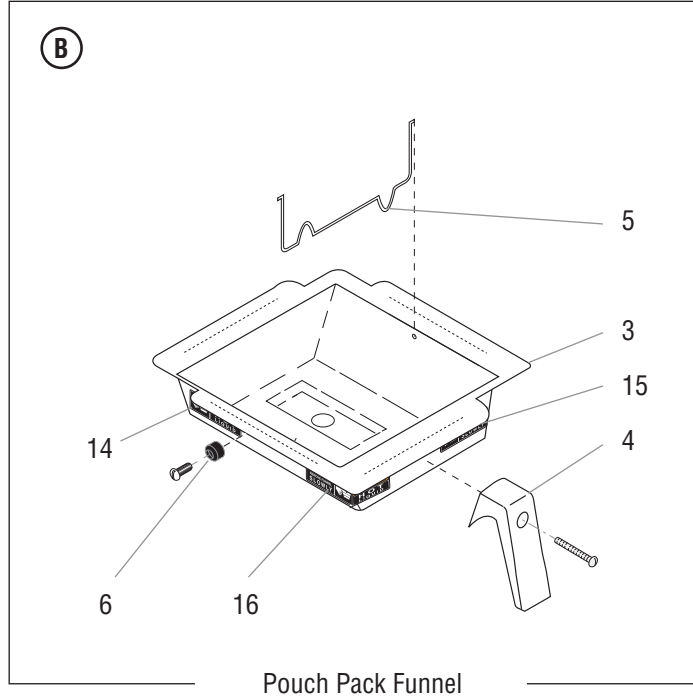
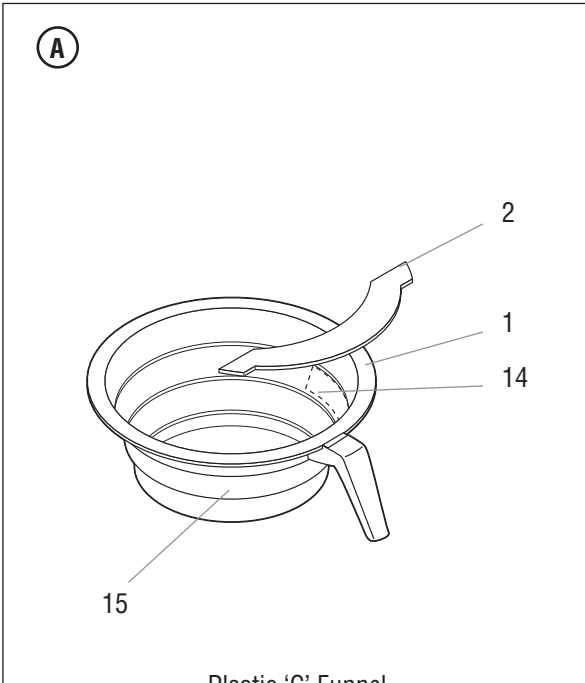
* Indicates the part number listed is for reference only. See DESCRIPTION for possible service replacement.



* Indicates the part number listed is OBSOLETE.

^ Indicates the part number listed is for reference only.

ITEM	PART NO.	QTY. TWIN	QTY. SINGLE	DESCRIPTION
Harnesses, Upper Warmers to 3 pin connector				
30	02812.0001	-	1	WIRING HARN, Standard 2 Wmr, 2 Switches 120V
31	25348.0004	-	1	WIRING HARN, 1 Wmr, (Front) 120V
32	23950.0002	1	-	WIRING HARN, 2 Wmr, (Front) 120V (2/2 Twin Only)



FUNNELS

ITEM	PART NO.	QTY. TWIN	QTY. SINGLE	DESCRIPTION
A	20583.0002	-	1	Funnel Assy, Smoke Plastic (Includes items 2, 14, & 15)
	20583.0003	-	1	Funnel Assy, Black Plastic (Includes items 2, 14, & 15)
	20583.0006	-	1	Funnel Assy, Orange Plastic (Includes items 2, 14, & 15)
	1 33119.0000*	-	1	Funnel Body, Black Plastic (Order item A)
	1 33127.0000*	-	1	Funnel Body, Orange Plastic (Order item A)
2	32964.0000	-	1	Splashgard, Black Plastic
B	29151.0000	2	1	Funnel Assy, Pouch Pack Blk Handle (Includes items 3-6 & 14-16)
	29151.0001	2	1	Funnel Assy, Pouch Pack Orn Handle (Includes items 3-6 & 14-16)
	04274.0010	2	1	Funnel Assy, Pouch Pack Brown Plastic (Includes item 16)
	04274.0012	2	1	Funnel Assy, Pouch Pack Black Plastic (Includes item 16)
	3 29150.0000*	2	1	Funnel Body, Pouch Pack 'C Series' SST (Order item B)
	4 29152.1000	2	1	Handle Kit, Pouch Pack, Black (Includes mounting screw below)
	29152.1001	2	1	Handle Kit, Pouch Pack, Orange (Includes mounting screw below)
	01331.0002	2	1	Screw, Round Head 10-32 x 1.5"
	5 29845.0000	2	1	Insert, Pouch Pack Funnel
	6 35302.0000	2	1	Keeper, Insert
	01331.0000	2	1	Screw, Round Head 10-32 x .5"
	C	34559.0000	-	1
8 34558.0000*		2	1	Funnel Body, Gourmet SST (Order item C)
9 34546.0000		2	1	Filter Basket, Gourmet 'C'
D	20216.0000	-	1	Funnel Assy, 7.12" SST Blk Handle (Includes items 10, 11 & 13-16)
	20216.0001	-	1	Funnel Assy, 7.12" SST Orn Handle (Includes items 10, 11 & 13-16)
	10 28553.0000	-	1	Funnel Body, W/Decals, 7.12" SST (Includes items 14 & 15)
	28554.0000	2	1	Funnel Body, W/Decals, 7.62" SST (Includes items 14 & 15)
	11 33088.0000	-	1	Filter Basket, 7.12" SST
	33090.0000	2	1	Filter Basket, 7.62" SST
	12 01031.0000	2	1	Funnel Tip Kit
	13 20244.1000	2	1	Handle Kit, Black (Includes mounting screw below)
	20244.1001	2	1	Handle Kit, Orange (Includes mounting screw below)
	01331.0002	2	1	Screw, Round Head 10-32 x 1.5"
	14 03408.0002	2	1	Decal, Warning - Remove Funnel
	15 03409.0002	2	1	Decal, Warning - Hot Liquid
16 28694.0000	2	1	Decal, Warning - Hot Liquid/Remove Funnel	

D does not include tip kit



* Indicates the part number listed is for reference only. See DESCRIPTION for possible service replacement.

NUMERICAL INDEX

PART NO.	PAGE NO.	PART NO.	PAGE NO.	PART NO.	PAGE NO.	PART NO.	PAGE NO.
00459.0000	23	01951.0000	27	11517.0008	19	24204.0001	31
00463.0000	23	01951.0001	27	11630.0001	23	24230.0000	15
00511.0000	15	02308.0000	5,7,9,13	12364.0000	5,7,13	24253.0000	15
00511.1000	15	02308.0000	15,29,31	12422.0001	17,19,23	24253.0001	13
00656.0001	9	02325.0001	23,25	12422.0005	19	24253.0002	13
00658.0000	9	02332.0001	29	12422.0006	23	24253.0003	15
00669.0003	9	02332.0002	13,15	12422.0009	19	24254.0001	5
00754.0001	13	02594.0000	19	12667.0001	13	24254.0002	5
00824.0001	31	02595.0000	19	13042.0001	27	24600.0000	13
00824.0002	29	02755.1000	17	13054.0000	19	24785.0002	27
00908.0000	17	02765.0000	7	13255.0005	15	24805.0000	13
00916.0000	27	02765.0002	7	20216.0000	35	24805.0002	13
00942.0000	17	02766.0000	19	20216.0001	35	25102.0000	31
00943.0000	17	02805.1000	17	20244.1000	35	25137.0000	13
00943.0001	19	02812.0001	33	20244.1001	35	25137.0001	13
00957.0000	21	02854.0000	19	20248.0000	21	25151.0000	7
00970.0000	9,19,27	02856.0005	19	20526.2500	25	25151.0007	5,7
00971.0000	5,7	02858.0000	19	20583.0002	35	25312.1004	7
00973.0000	29	02861.0003	19	20583.0003	35	25312.1007	7
00985.0000	29	03102.0000	21	20583.0006	35	25348.0004	33
00986.0000	9	03359.0001	15	20942.1000	17	25351.0000	13
00988.0000	9	03408.0002	35	20976.0008	19	25351.0001	13
01031.0000	35	03409.0002	35	20976.0056	23	25351.0002	13
01075.0000	19	03652.0000	7,27	20976.1001	23	25352.0005	9
01106.0000	29	03656.0000	27	20976.1002	23	25657.0000	13
01106.0001	29	03993.0000	15	21016.0011	31	25657.0001	13
01106.0003	29	03996.0000	15	21016.0012	31	25657.0002	13
01227.0000	27	04221.0000	17	21016.0027	31	25658.0000	13
01303.0000	5,7,27	04260.0000	17	21104.0003	15	25658.0002	13
01303.0002	7,27	04270.0000	21	22306.0000	13	25864.1001	5
01308.0002	31	04274.0010	35	22730.1002	9	26283.1000	9
01309.0000	29	04274.0012	35	22730.1006	9	26287.0000	9
01315.0000	9,29	04828.0001	27	22733.0000	9	26413.0000	13
01317.0000	29	04828.1001	27	22999.0000	13	26413.0001	13
01326.0007	5,7	05037.1000	17	23260.1004	5	26528.0001	15
01327.0000	29	05212.0000	27	23260.1005	5	26953.0000	15
01331.0000	35	05746.0000	29	23267.1000	9	27370.0000	19
01331.0002	35	06064.0000	29	23294.1009	9	27370.0001	19
01347.0000	5,15	07038.0000	29	23294.1014	9	27370.0002	19
01382.0000	9	07412.1002	17	23321.0000	13	27705.0000	29
01382.0002	9	07412.1003	17	23321.0001	13	27929.0000	9
01511.0000	17	11408.1002	9	23321.0002	13	28526.0018	19
01518.0000	29	11408.1005	9	23321.0003	13	28553.0000	35
01532.0000	23	11408.1006	9	23321.0004	13	28554.0000	35
01537.0000	21	11424.0000	19	23329.0000	15	28694.0000	35
01540.0000	21	11438.0000	27	23376.0000	31	28735.0002	17
01544.0000	19	11438.0001	27	23522.0001	29	28735.0003	17
01590.0000	29	11440.0005	27	23696.0000	29,31	28740.0003	29
01592.0000	5,7,11,13	11440.0008	27	23698.1001	13	28740.0004	29
01593.0000	13	11440.0009	27	23698.1002	13	28740.0005	29
01686.0000	29	11440.0010	27	23698.1003	13	28747.0001	19
01719.1000	29	11440.0011	27	23799.0001	29	28750.0000	23
01927.0000	17	11442.0000	27	23950.0002	33	28750.0001	23
01928.0000	17	11444.0000	7	24204.0000	31	28750.0002	23

NUMERICAL INDEX

PART NO.	PAGE NO.	PART NO.	PAGE NO.	PART NO.	PAGE NO.	PART NO.	PAGE NO.
28750.0003.....	23	32591.0013.....	23	38044.0000.....	29	41580.0001.....	25
29007.0000.....	29	32591.0045.....	19	38074.0000.....	29	41643.0000.....	25
29065.0000.....	23	32591.1001.....	23	38114.0000.....	17	41760.1000.....	5,7
29072.0000.....	31	32591.1002.....	23	38227.0000.....	19	41840.0000.....	7
29072.0004.....	31	32964.0000.....	35	38496.1002.....	7	41841.1000.....	7
29072.0016.....	31	33088.0000.....	35	38496.1006.....	7	42025.0000.....	25
29072.0017.....	31	33090.0000.....	35	38498.1000.....	7	42025.0001.....	25
29072.0022.....	31	33119.0000.....	35	38760.1004.....	29	42533.1001.....	29
29072.0023.....	31	33127.0000.....	35	38760.1010.....	29	42533.1002.....	29
29072.0025.....	31	33801.0001.....	17	38760.1011.....	29	43644.0000.....	25
29072.0026.....	31	33937.0003.....	17	38760.1014.....	29	44714.0000.....	19
29072.0035.....	31	33937.0004.....	17	38842.0000.....	29		
29072.0036.....	31	34055.0000.....	31	38876.0001.....	29		
29075.0000.....	19	34055.0001.....	31	38876.0002.....	29		
29077.0006.....	11	34055.0006.....	31	38876.0004.....	29		
29077.0007.....	11	34055.0007.....	31	38876.0005.....	29		
29077.0008.....	11	34056.0000.....	29	38876.0007.....	29		
29077.0013.....	11	34061.0018.....	9	38876.0008.....	29		
29077.0014.....	11	34061.1000.....	9	38876.0011.....	29		
29077.0015.....	11	34061.1001.....	9	38894.0001.....	31		
29077.0016.....	11	34061.1010.....	9	38920.0000.....	31		
29077.0017.....	11	34061.1020.....	9	38920.0002.....	31		
29077.0019.....	11	34061.1021.....	9	38969.0001.....	17,23		
29077.0020.....	11	34063.0003.....	7	39048.0000.....	31		
29077.0022.....	11	34065.1001.....	13	39085.1001.....	17		
29082.0000.....	29	34069.1000.....	7	39149.0002.....	19		
29150.0000.....	35	34070.1001.....	7	39975.0000.....	23		
29151.0000.....	35	34074.1019.....	17	39975.0001.....	23		
29151.0001.....	35	34074.1020.....	17	39975.0002.....	23		
29152.1000.....	35	34074.1021.....	17	39975.0003.....	23		
29152.1001.....	35	34074.1022.....	17	39975.0004.....	23		
29263.0000.....	29	34074.1023.....	17	40056.0003.....	25		
29264.0000.....	19	34074.1024.....	17	40666.0000.....	31		
29265.0000.....	29	34074.1026.....	17	40666.0001.....	31		
29279.0000.....	17	34074.1027.....	17	40666.0005.....	31		
29314.0005.....	5	34074.1028.....	17	40670.0005.....	19		
29329.1000.....	17	34074.1029.....	17	40763.0001.....	31		
29446.0004.....	29	34074.1031.....	17	41193.0001.....	19		
29484.0000.....	31	34081.1000.....	9	41390.0000.....	31		
29484.0001.....	31	34097.0000.....	19	41390.0001.....	31		
29485.1001.....	17	34208.1008.....	9	41390.0003.....	31		
29486.0000.....	23	34546.0000.....	35	41390.0007.....	31		
29581.0000.....	9	34558.0000.....	35	41390.0008.....	31		
29669.1000.....	17	34559.0000.....	35	41390.0030.....	31		
29710.0004.....	11	34707.0004.....	31	41402.1108.....	9		
29710.0007.....	11	35302.0000.....	35	41405.0000.....	31		
29822.0000.....	13	35712.0000.....	13	41499.1000.....	21		
29845.0000.....	35	36757.1000.....	7	41499.1001.....	21		
32143.0000.....	7	36757.1002.....	7	41499.1002.....	21		
32159.1002.....	9	37182.0001.....	7	41499.1003.....	21		
32283.0000.....	25	37297.0003.....	25	41578.0000.....	25		
32325.0000.....	9	37881.0000.....	5,7,9	41579.1000.....	23		
32591.0001.....	19	37881.0002.....	7	41579.1002.....	23		
32591.0012.....	23	37930.0000.....	9	41580.0000.....	25		