



ITB
New Infusion Series[®]



ILLUSTRATED PARTS CATALOG

Designs, materials, weights, specifications, and dimensions for equipment or replacement parts are subject to change without notice.

BUNN-O-MATIC CORPORATION

POST OFFICE BOX 3227

SPRINGFIELD, ILLINOIS 62708-3227

PHONE: (217) 529-6601 FAX: (217) 529-6644

www.bunn.com

To ensure you have the latest revision of the Operating Manual, Illustrated Parts Catalog, Programming Manual, or Service Manual, please visit the Bunn-O-Matic website, at www.bunn.com. This is absolutely FREE, and the quickest way to obtain the latest catalog and manual updates. For Technical Service, contact Bunn-O-Matic Corporation at 1-800-286-6070.

BUNN-O-MATIC COMMERCIAL PRODUCT WARRANTY

Bunn-O-Matic Corp. ("BUNN") warrants equipment manufactured by it as follows:

- 1) Airpots, thermal carafes, decanters, GPR servers, iced tea/coffee dispensers, MCR/MCP/MCA single cup brewers, thermal servers and ThermoFresh® servers (mechanical and digital) 1 year parts and 1 year labor.
- 2) All other equipment - 2 years parts and 1 year labor plus added warranties as specified below:
 - a) Electronic circuit and/or control boards - parts and labor for 3 years.
 - b) Compressors on refrigeration equipment - 5 years parts and 1 year labor.
 - c) Grinding burrs on coffee grinding equipment to grind coffee to meet original factory screen sieve analysis - parts and labor for 4 years or 40,000 pounds of coffee, whichever comes first.

These warranty periods run from the date of installation BUNN warrants that the equipment manufactured by it will be commercially free of defects in material and workmanship existing at the time of manufacture and appearing within the applicable warranty period. This warranty does not apply to any equipment, component or part that was not manufactured by BUNN or that, in BUNN's judgment, has been affected by misuse, neglect, alteration, improper installation or operation, improper maintenance or repair, non periodic cleaning and descaling, equipment failures related to poor water quality, damage or casualty. In addition, the warranty does not apply to replacement of items subject to normal use including but not limited to user replaceable parts such as seals and gaskets. This warranty is conditioned on the Buyer 1) giving BUNN prompt notice of

any claim to be made under this warranty by telephone at (217) 529-6601 or by writing to Post Office Box 3227, Springfield, Illinois 62708-3227; 2) if requested by BUNN, shipping the defective equipment prepaid to an authorized BUNN service location; and 3) receiving prior authorization from BUNN that the defective equipment is under warranty.

THE FOREGOING WARRANTY IS EXCLUSIVE AND IS IN LIEU OF ANY OTHER WARRANTY, WRITTEN OR ORAL, EXPRESS OR IMPLIED, INCLUDING, BUT NOT LIMITED TO, ANY IMPLIED WARRANTY OF EITHER MERCHANTABILITY OR FITNESS FOR A PARTICULAR PURPOSE. The agents, dealers or employees of BUNN are not authorized to make modifications to this warranty or to make additional warranties that are binding on BUNN. Accordingly, statements by such individuals, whether oral or written, do not constitute warranties and should not be relied upon.

If BUNN determines in its sole discretion that the equipment does not conform to the warranty, BUNN, at its exclusive option while the equipment is under warranty, shall either 1) provide at no charge replacement parts and/or labor (during the applicable parts and labor warranty periods specified above) to repair the defective components, provided that this repair is done by a BUNN Authorized Service Representative; or 2) shall replace the equipment or refund the purchase price for the equipment.

THE BUYER'S REMEDY AGAINST BUNN FOR THE BREACH OF ANY OBLIGATION ARISING OUT OF THE SALE OF THIS EQUIPMENT, WHETHER DERIVED FROM WARRANTY OR OTHERWISE, SHALL BE LIMITED, AT BUNN'S SOLE OPTION AS SPECIFIED HEREIN, TO REPAIR, REPLACEMENT OR REFUND.

In no event shall BUNN be liable for any other damage or loss, including, but not limited to, lost profits, lost sales, loss of use of equipment, claims of Buyer's customers, cost of capital, cost of down time, cost of substitute equipment, facilities or services, or any other special, incidental or consequential damages.

392, A Partner You Can Count On, Air Infusion, AutoPOD, AXIOM, BrewLOGIC, BrewMETER, Brew Better Not Bitter, BrewWISE, BrewWIZARD, BUNN Espresso, BUNN Family Gourmet, BUNN Gourmet, BUNN Pour-O-Matic, BUNN, BUNN with the stylized red line, BUNNlink, Bunn-O-Matic, Bunn-O-Matic, BUNNserve, BUNNSERVE with the stylized wrench design, Cool Froth, DBC, Dr. Brew stylized Dr. design, Dual, Easy Pour, EasyClear, EasyGard, FlavorGard, Gourmet Ice, Gourmet Juice, High Intensity, iMIX, Infusion Series, Intellisteam, My Café, Phase Brew, PowerLogic, Quality Beverage Equipment Worldwide, Respect Earth, Respect Earth with the stylized leaf and coffee cherry design, Safety-Fresh, savemycoffee.com, Scale-Pro, Silver Series, Single, Smart Funnel, Smart Hopper, SmartWAVE, Soft Heat, SplashGard, The Mark of Quality in Beverage Equipment Worldwide, ThermoFresh, Titan, trifacta, TRIFECTA (stylized logo), Velocity Brew, Air Brew, Beverage Bar Creator, Beverage Profit Calculator, Brew better, not bitter., Build-A-Drink, BUNNSource, Coffee At Its Best, Cyclonic Heating System, Daypart, Digital Brewer Control, Element, Milk Texturing Fusion, Nothing Brews Like a BUNN, Picture Prompted Cleaning, Pouring Profits, Signature Series, Sure Tamp, Tea At Its Best, The Horizontal Red Line, Ultra are either trademarks or registered trademarks of Bunn-O-Matic Corporation. The commercial trifacta® brewer housing configuration is a trademark of Bunn-O-Matic Corporation.

TABLE OF CONTENTS

Hood, Trunk, Base and Panels.....	4
Tank and Components.....	8
Dispense Valve and Sprayhead	10
Fill, Single Dilution & Tank Drain.....	12
Single Dilution w/Sweetener	16
Dual Dilution w/Sweetener	18
Electrical and Operating Controls.....	20
Funnels	24

To search this document electronically, press “control” + “F” (on P.C.) or “command” + “F” on Mac, then type in description or part number, press “enter”.

To order coffee filters, water filters, or other accessories, refer to Specification Sheets at www.bunn.com

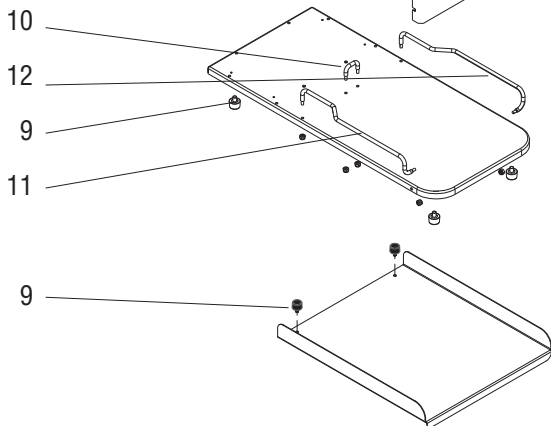
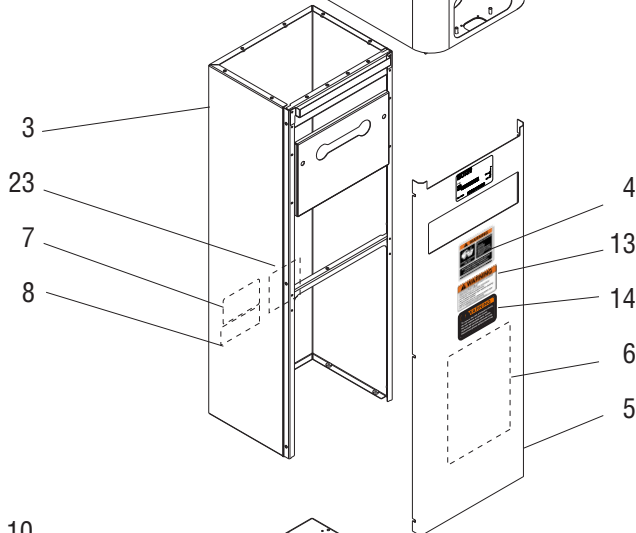
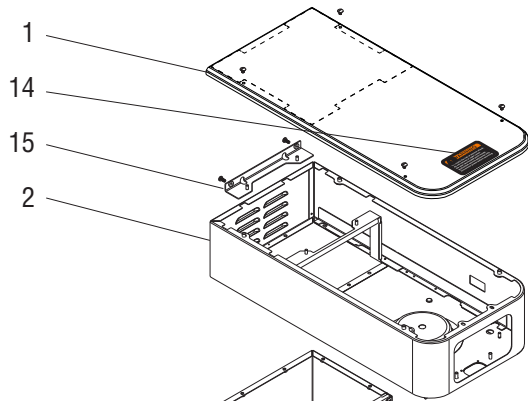
ITB	120 Volt Machine
ITB LP	120 Volt Low Profile Machine
ITB DDIL	120 Volt Machine With Dual Dillution
ITBA DDIL.....	230 Volt Machine With Dual Dillution

Fraction	Decimal		Fraction	Decimal
1/16	0.063		9/16	0.563
1/8	0.125		5/8	0.625
3/16	0.188		11/16	0.688
1/4	0.250		3/4	0.750
5/16	0.313		13/16	0.813
3/8	0.375		7/8	0.875
7/16	0.438		15/16	0.938
1/2	0.500		1	1.000

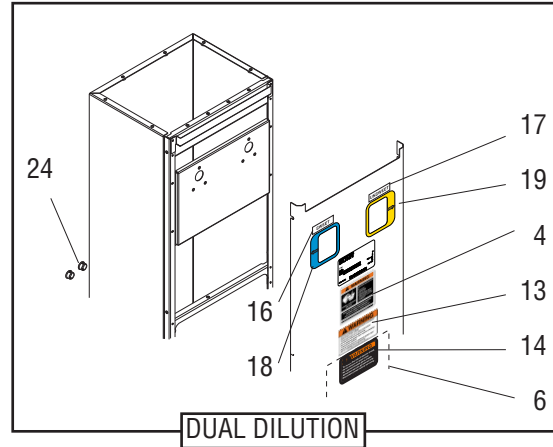


HOOD, TRUNK, BASE AND PANEL

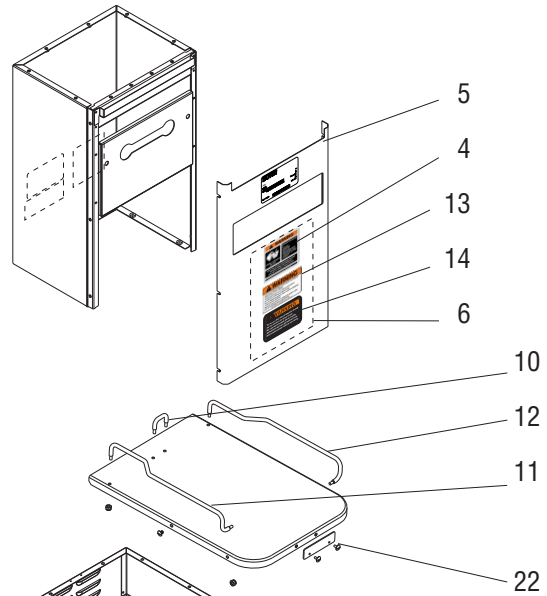
ITB SERIES



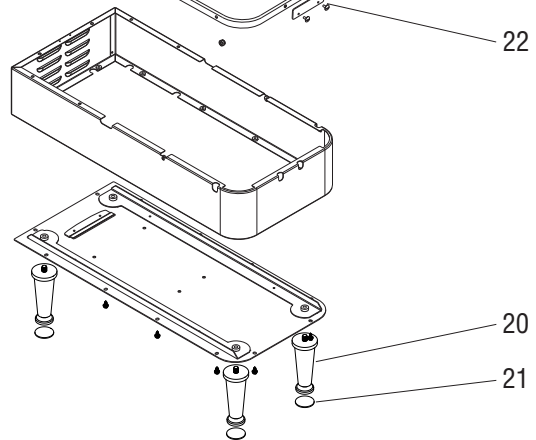
SINGLE DILUTION



DUAL DILUTION



LOW PROFILE



HOOD, TRUNK, BASE AND PANEL

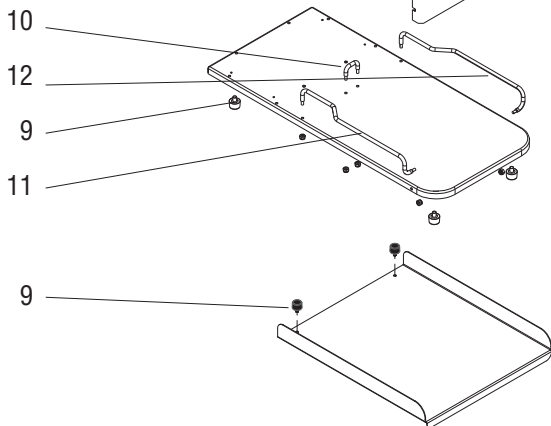
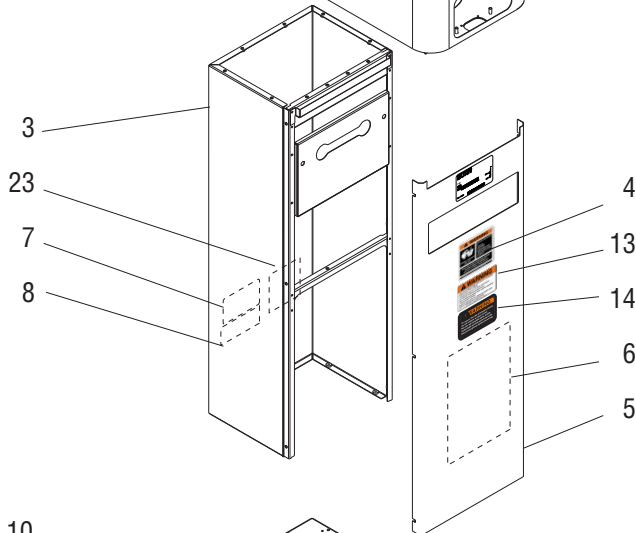
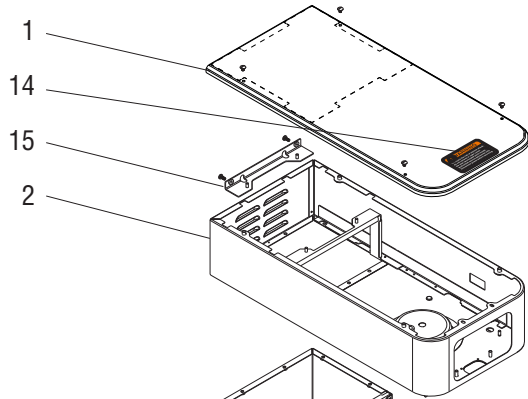
ITEM	PART NO.	QTY.	DESCRIPTION
1	44736.1025	1	Cover, Top (Includes items 24 & 25)
	01311.0004	4	Screw, Truss Head, Blk #6-32 x .25" Lkg.
2	52706.0007	1	Hood
	02308.0000	10	Screw, Pan Head #8-32 x .38"
3	52655.0006	1	Trunk w/Decals 29" Single Dilution (Includes items 7 & 8)
	52655.0019	1	Trunk w/Decals 29" Dual Dilution (Includes items 7 & 8)
	45860.1028	1	Trunk w/Decals (Low Profile Models) (Includes items 7 & 8)
	02308.0000	6	Screw, Pan Head #8-32 x .38"
4	00658.0000	1	Decal, Warning - Decanter/Funnel
5	52656.1002	1	Panel w/Decals, Front 29.0" (Single Dilution) (Includes items 4,13,14)
	52656.1010	1	Panel w/Decals, Front (Low Profile) (Includes items 4,13,14)
	52656.1012	1	Panel w/Decals, Front (Dual Dilution) (Includes items 4,13,14,16-19)
	01315.0000	6	Screw, Truss Head #8-32 x .375"
6	48835.0003	1	Schematic, ITB (Single Dilution & Dual Dilution)
	48835.0002	1	Schematic, ITB (Dual Dilution/Sweetener)
	48835.0004	1	Schematic, ITBA (Dual Dilution/Sweetener)
7	00986.0000	1	Decal, Warning - Electrical
8	00656.0001	1	Decal, Comply to Plumbing Code
9	25137.0001	6	Foot
	24600.0000	-	Foot Kit, Set of 4
10	36412.0000	1	Rail, Stop
	00991.0000	2	Nut, Keps #8-32
11	36461.0000	1	Guide Rail, Left
	00991.0000	2	Nut, Elastic Lock #8-32
12	36462.0000	1	Guide Rail, Right
	00991.0000	2	Nut, Elastic Lock #8-32
13	39175.0000	1	Decal, Warning Overlay Graphic
14	37881.0000	2	Decal, No Serviceable Parts
15	36608.0003	1	Bracket, Tank Support
	02308.0000	2	Screw, Pan Head #8-32 x .38"
16	38589.0000	1	Decal, Sweet
17	38589.0001	1	Decal, Unsweet
18	41948.0004	1	Decal, Nozzle Left
19	41948.0005	1	Decal, Nozzle Right

CONTINUED

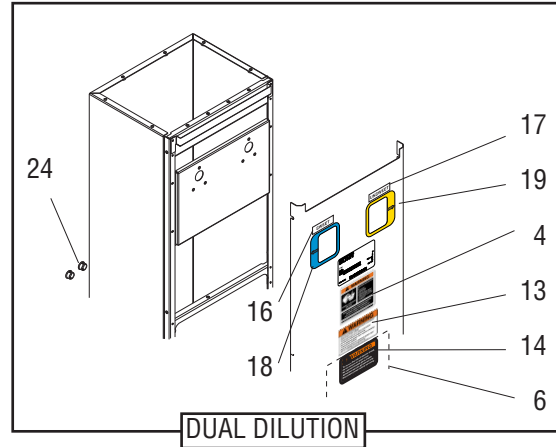


HOOD, TRUNK, BASE AND PANEL

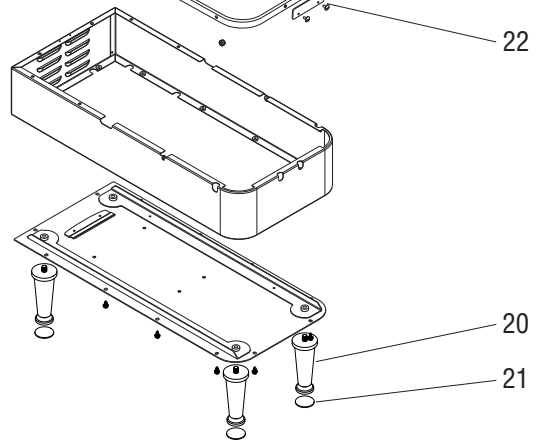
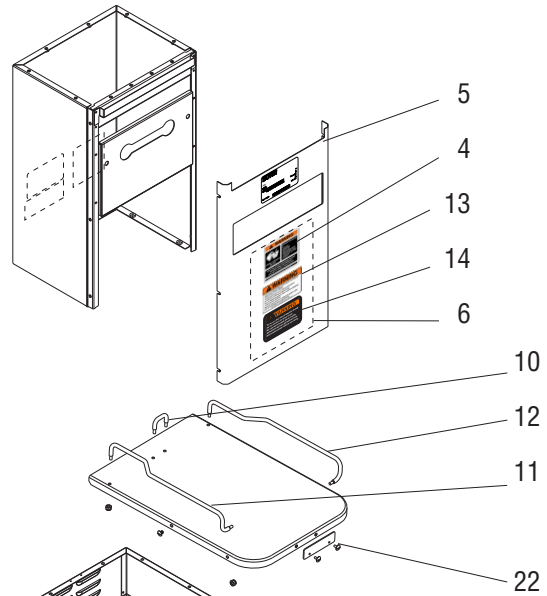
ITB SERIES



SINGLE DILUTION



DUAL DILUTION



LOW PROFILE

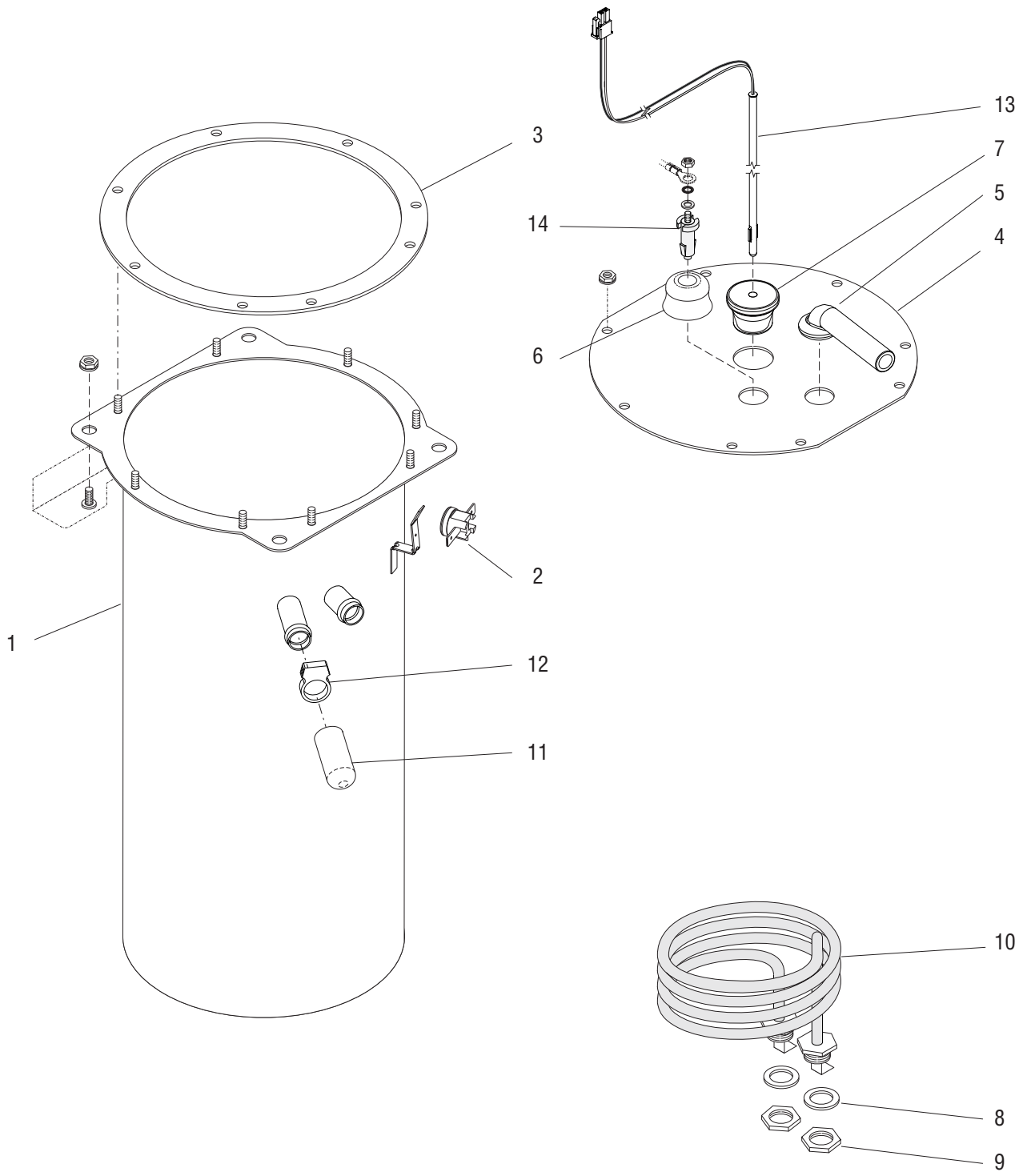
HOOD, TRUNK, BASE AND PANEL

ITEM	PART NO.	QTY.	DESCRIPTION
20	26528.0001	4	Leg, 4.0" Adjustable
21	03996.0000	4	Pad, Non-Skid
22	37538.0001	1	Stop, Dispenser Front
	01311.0001	2	Screw, Truss Head #6-32 x .25"
23	51453.0000	1	Decal, Warning - Risk of Fire (Dual Dilution/Sweetner)
24	00669.0002	2	Plug (Dual Dilution Models)



TANK & COMPONENTS

ITB SERIES



P2888

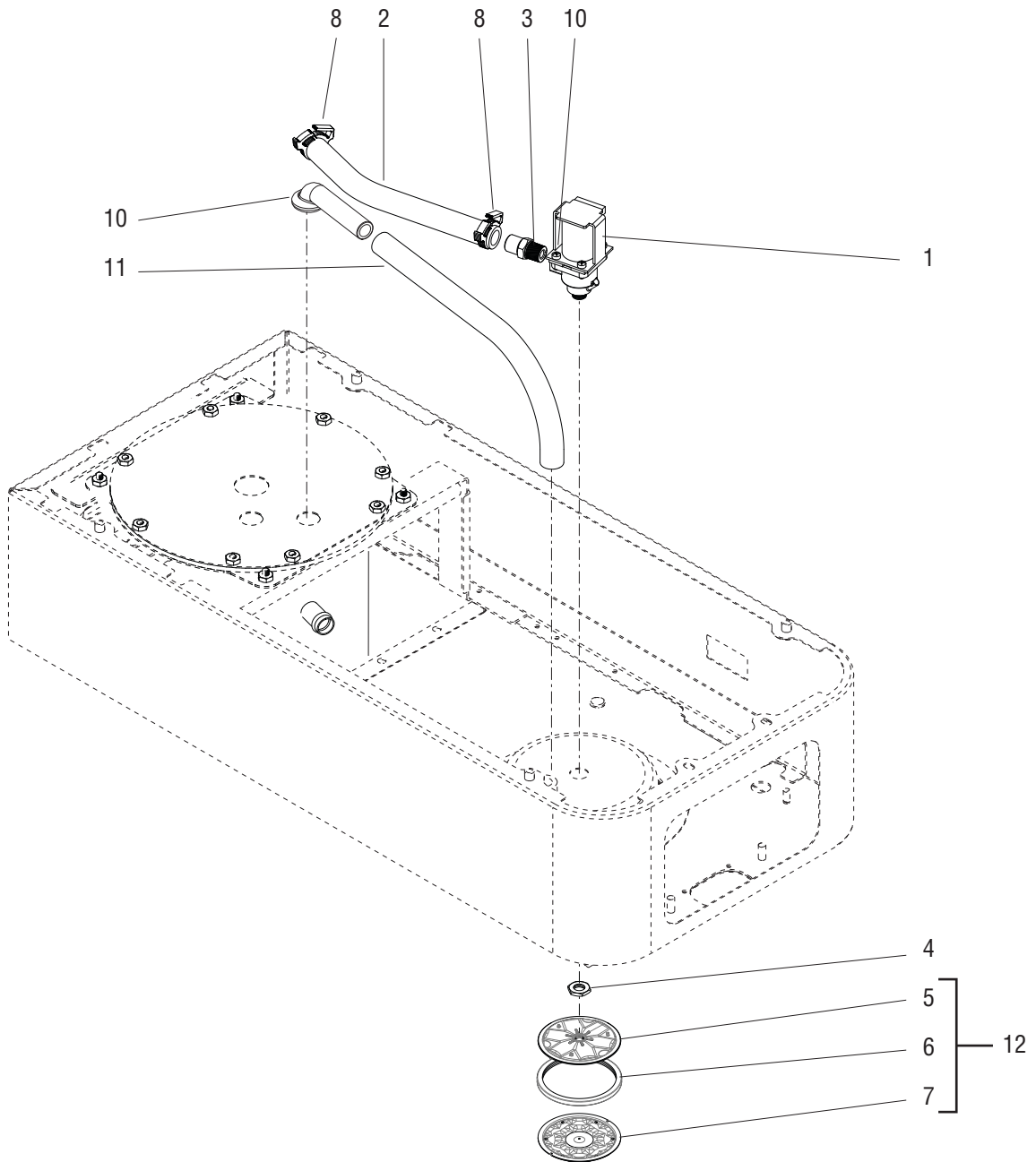
TANK & COMPONENTS

ITEM	PART NO.	QTY.	DESCRIPTION
1	33937.0003	1	Tank
	00970.0000	3	Nut, Keps #8-32
	01501.0000	1	Washer
	20203.0100	1	Lockwasher, Internal-tooth #8
	00908.0000	1	Nut, Hex #8-32
2	29329.1000	1	Limit Thermostat
3	04221.0000	1	Gasket
4	28735.0000	1	Lid
	00908.0000	8	Nut, Hex #8-32
5	38969.0003	1	Fitting, 90° Silicone
6	38114.0000	1	Grommet, Liquid Level Probe
7	33801.0003	1	Grommet, Temp. Sensor
8	00943.0000	2	Gasket
9	00942.0000	2	Nut, Hex .50"-20
10	02755.1002	1	Tank Heater 1680W 120V (Includes item 8)
	05037.1000	1	Tank Heater 3500W 240V (Includes item 8)
11	29279.0000	1	Cap, Tube-Silicone
12	12422.0005	1	Clamp, Hose SNP-12
13	39085.1001	1	Probe Kit, Temperature and Dry Plug
14	07412.1002	1	Probe, Liquid Level
	01501.0000	1	Washer
	20203.0100	1	Lockwasher, Internal-tooth #8
	00908.0000	1	Nut, Hex #8-32



DISPENSE VALVE & SPRAYHEAD

ITB SERIES



P4428.75

DISPENSE VALVE & SPRAYHEAD

ITEM	PART NO.	QTY.	DESCRIPTION	
1	26846.0000	2	1 Valve Assembly, Sprayhead 120V (Discontinued, use 56771.0000)	
	26846.0002	2	1 Valve Assembly, Sprayhead 240V (Discontinued, use 56771.0002)	
	11517.0008	-	- Repair Kit (Includes plunger, spring & diaphragm)	
	23255.0000	-	- Diaphragm Only	
	23254.0000	8	4 Screw	
	23256.0000	2	1 Spacer Plate	
	56771.0000	2	1 Valve Assembly, Sprayhead 120V	
	56771.0002	2	1 Valve Assembly, Sprayhead 240V	
	56815.0000	-	- Repair Kit (Includes plunger, spring & diaphragm)	
	56816.0000	-	- Diaphragm Only	
	22305.0001	2	1 Coil 120VAC (used in both styles)	
	22305.0002	2	1 Coil 240VAC (used in both styles)	
	2		1	Tube .50" ID x 7.88" (Order item 13)
	3	34956.0004	1	Fitting
4	01075.0000	1	Nut, Hex .438"-20	
5	52112.0003	1	Back, Sprayhead	
6	34868.0000	1	Seal	
7	43920.0003	1	Sprayhead 7 Hole	
8	12422.0009	2	Clamp, SNP-14	
9				
10	38969.0003	1	Fitting, 90° Silicone	
11		1	Tube .50" ID x 12.0" (Order item 13)	
12	40670.1019	1	Sprayhead Assy 7 Hole (Includes Items 6 & 7)	

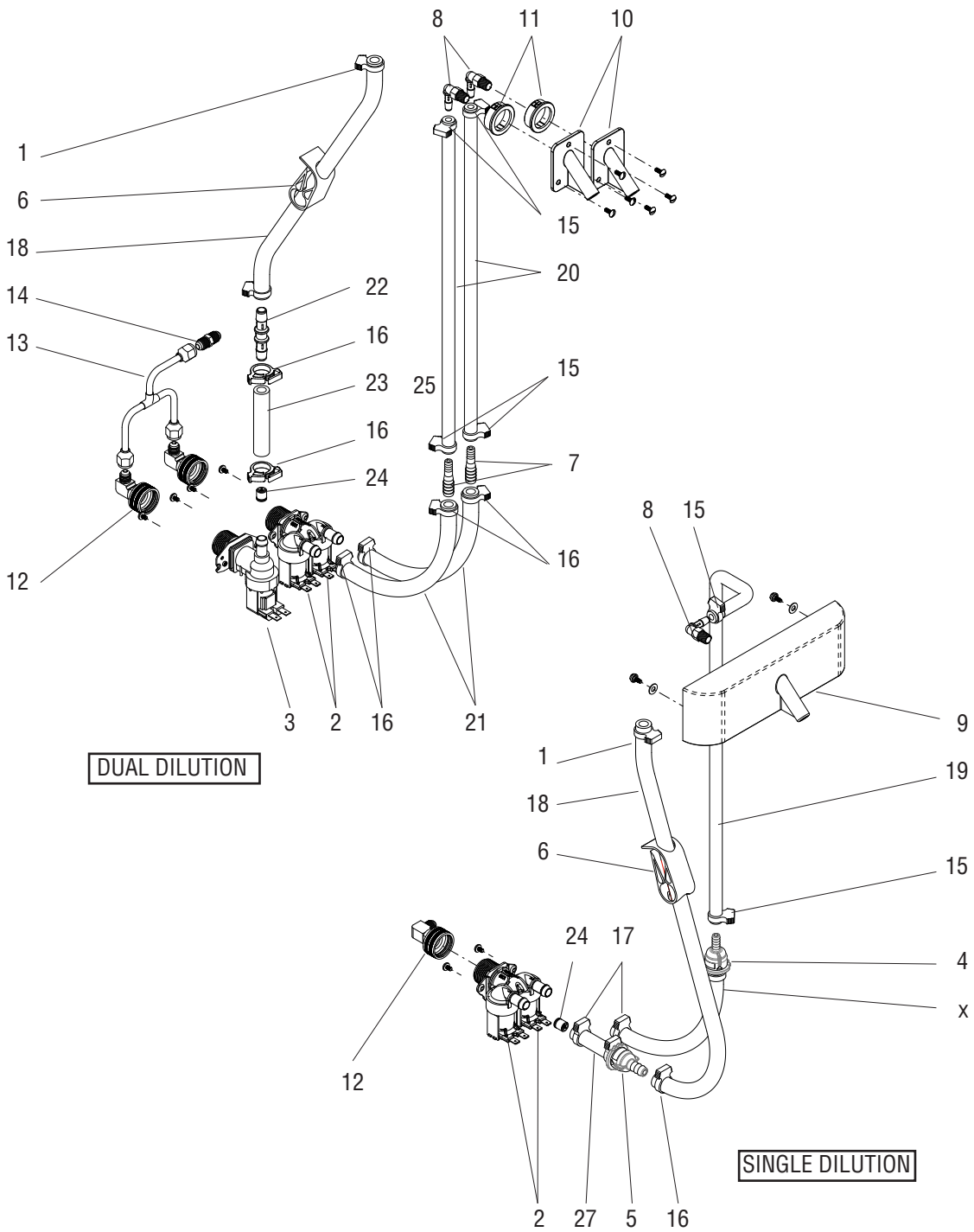
The following items are not illustrated

13	32591.1001	-	Tube .50" ID x 1 Foot
	32591.1002	-	Tube .50" ID x 3 Feet
	32591.1003	-	Tube .50" ID x 10 Feet
	32591.1004	-	Tube .50" ID x 250 Feet



FILL, SINGLE DILUTION & DRAIN

ITB SERIES



DUAL DILUTION

SINGLE DILUTION

P4429.50

FILL, SINGLE DILUTION & DRAIN

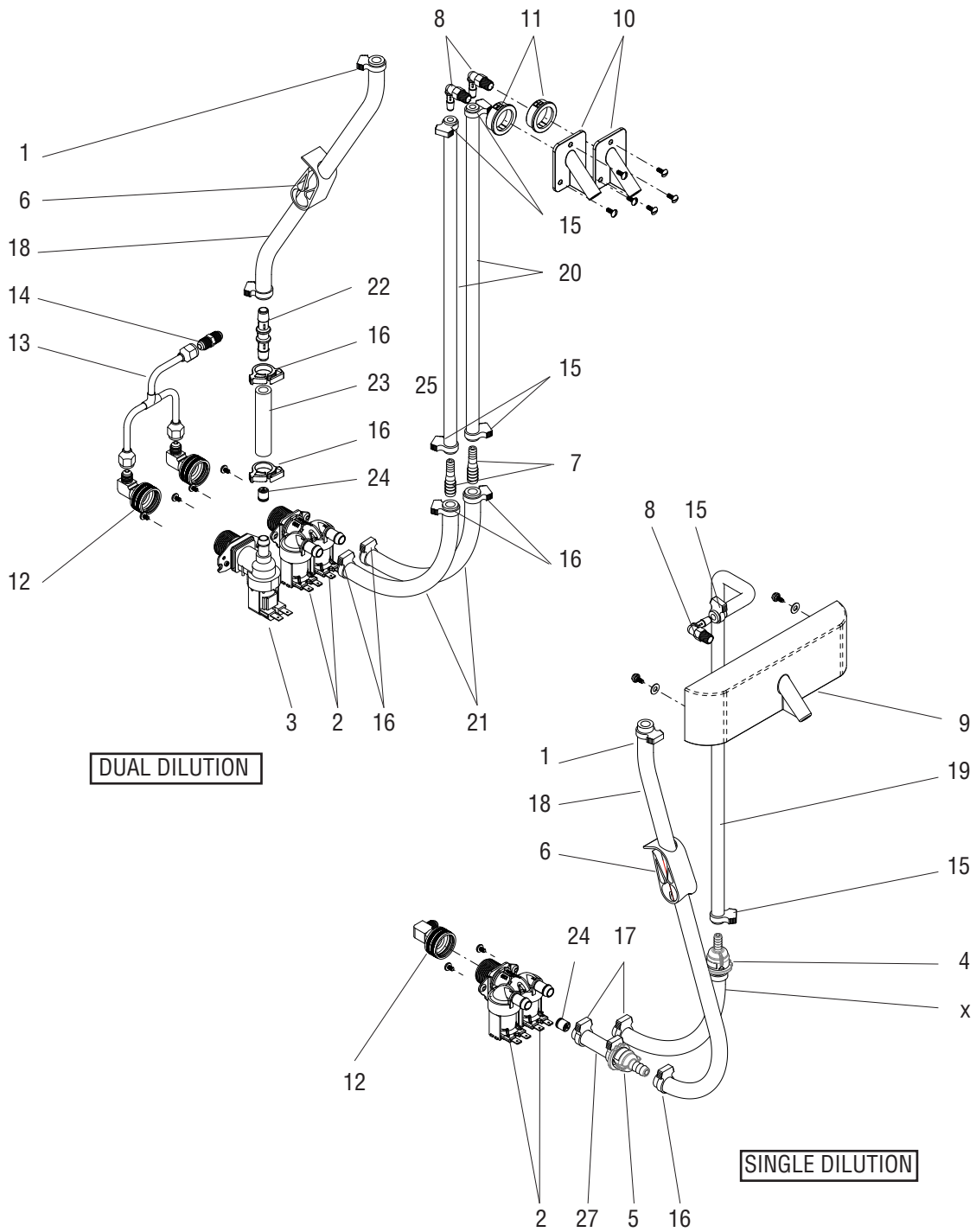
ITEM	PART NO.	QTY.	DESCRIPTION
1	12422.0006	1	Clamp, Hose-Snap SNP-8
2	43041.0000	1	Kit, Valve 120V
	32283.0000	2	Screw, SST Slotted Panhead M4 X 6mm
	46884.0000	1	Strainer, Inlet
3	40506.0010	1	Kit, Valve 120V
	32283.0000	2	Screw, SST Slotted Panhead M4 X 6mm
	46884.0000	1	Strainer, Inlet
4	41595.0011	1	Flow Control (Dilution)
5	41595.0010	1	Flow Control (Fill) (Standard Models)
6	11630.0001	1	Clamp, Tubing Shut Off
7	26443.0000	4	Reducer
8	47355.0001	2	Elbow, 1/8-27 Npt To 1/4" Barb (Non Sweetener)
9	36360.1001	1	Kit, Dilution Nozzle w/Elbow (Non Sweetener Models)
	02332.0005	2	Screw, Hex #6 x .38"
	28614.0000	2	Washer
10	03717.0000	2	Dilution Nozzle
	01382.0002	6	Screw, TRH #6-32 x .38"
11	01592.0001	2	Bushing 1.188" (1 less used on Single Dilution)
12	37297.1001	1	Elbow, .25 FLR X .75 Hose THD
13	41969.0000	1	Tube Assembly
14	00436.0001	1	Union, .25" Flare
15	12422.0000	6	Clamp, Hose-Snap SNP-6
16	12422.0001	4	Clamp, Hose-Snap SNP-10
17	12422.0005	2	Clamp, Hose-Snap SNP-12
18		1	Tube, Silicone .375" ID X 19.0 LG (Low Profile Models) (Order item 29)
		1	Tube, Silicone .375" ID X 20.0 LG (Standard Models) (Order item 29)
19		1	Tube, Silicone .250" ID X 20.0 LG (29" Trunk) (Order item 28)
		1	Tube, Silicone .250" ID X 12.0 LG (Low Profile) (Order item 28)
20		2	Tube, Silicone .250" ID X 10.0 LG (29" Trunk) (Order item 28)
21		2	Tube, Silicone .375" ID X 5.0 LG (29" Trunk) (Order item 29)
22	45313.0000	1	Connector, Union .38"x .38"
23		1	Tube, Silicone .375" ID x 3.0" (Order item 29)
24	36378.0001	2	Check Valve
25	46028.0000	1	Kit, Check Valve
26		1	Flex Hose 3.0" (Dilution) (Order item 30)

CONTINUED



FILL, SINGLE DILUTION & DRAIN

ITB SERIES



P4429.50

FILL, SINGLE DILUTION & DRAIN

ITEM	PART NO.	QTY.	DESCRIPTION
27		1	Flex Hose 3.0" (Fill) (Low Profile Models) (Order item 30)
		1	Flex Hose 6.0" (Fill) (Standard Models) (Order item 30)

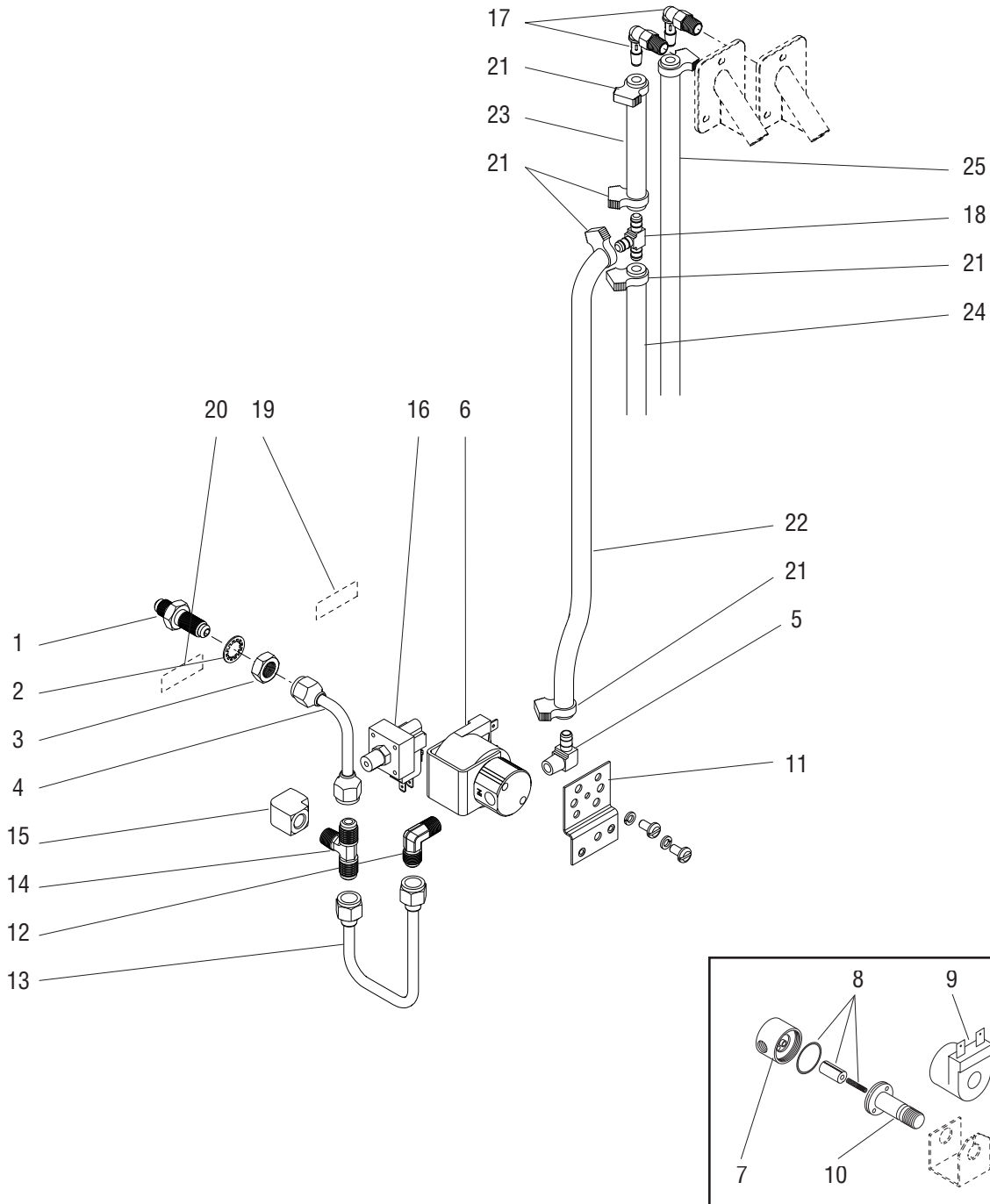
The following items are not illustrated

28	11707.1000	-	Tube, Silicone .250" ID x .50" O.D. x 1 Foot (Use as required)
	11707.1001	-	Tube, Silicone .250" ID x .50" O.D. x 3 Feet (Use as required)
	11707.1002	-	Tube, Silicone .250" ID x .50" O.D. x 10 Feet (Use as required)
	11707.1004	-	Tube, Silicone .250" ID x .50" O.D. x 250 Feet (Use as required)
29	20976.1000	-	Tube, Silicone .375" ID x 1 Foot (Use as required)
	20976.1001	-	Tube, Silicone .375" ID x 3 Feet (Use as required)
	20976.1002	-	Tube, Silicone .375" ID x 10 Feet (Use as required)
30	34325.1000	-	Hose, Flex .375" ID x 1 Foot (Use as required)
	34325.1001	-	Hose, Flex .375" ID x 3 Feet (Use as required)
	34325.1002	-	Hose, Flex .375" ID x 10 Feet (Use as required)



MODELS SINGLE DILUTION w/ SWEETENER

ITB SERIES



P4430.75

MODELS SINGLE DILUTION w/ SWEETENER

ITEM	PART NO.	QTY.	DESCRIPTION
1	00459.0000	1	Fitting, Bulkhead .250" Flare
2	01532.0000	1	Lockwasher, Internal Tooth .438"
3	00463.0000	1	Nut, Hex - Brass .438"-20
4	36459.0001	1	Tube Assy,
5	00464.0001	1	Elbow, Male-Tnpl.25 Barbx.
6	01085.0000	1	Solenoid Valve, 120V (Includes items 7 - 10)
	01327.0000	2	Screw, Pan Head #10-32 x .375"
	01502.0000	2	Lockwasher, Split #10
7	01079.0000	1	Solenoid Valve Base
8	01111.0000	1	Solenoid Valve Repair Kit
9	01101.0000	1	Solenoid Valve Coil, 120V
10	01116.0000	1	Guide
11	07441.0001	1	Bracket
	01315.0000	2	Screw, Pan Head #8-32 x .38"
12	00400.0001	1	Elbow .25" Flare x .125"MPT
13	00310.0005	1	Tube Assy.
14	00431.0001	1	Tee, Male Br-Tn Pl.25flrx
15	00435.0001	1	Elbow, Tin Pld .125npt F
16	38379.1000	1	Switch, Pressure-Low Product
17	47355.0001	1	Elbow (Also included w/dilution nozzle)
18	22150.0001	1	Tee
19	26371.0000	1	Decal, Water
20	26371.0001	1	Decal, Sweetener
21	12422.0000	6	Clamp, Hose - SNP 6 (3 Addl used on Dual Dil)
22		1	Tube, Silicone .250" I.D. x 15.0" LG (Order item 26)
23		1	Tube, Silicone .250" I.D. x 7.0" LG (Order item 26)
24		1	Tube, Silicone .250" I.D. x 13.1" LG (Order item 26)
25		1	Tube, Silicone .250" I.D. x 10.0" LG (Order item 26)

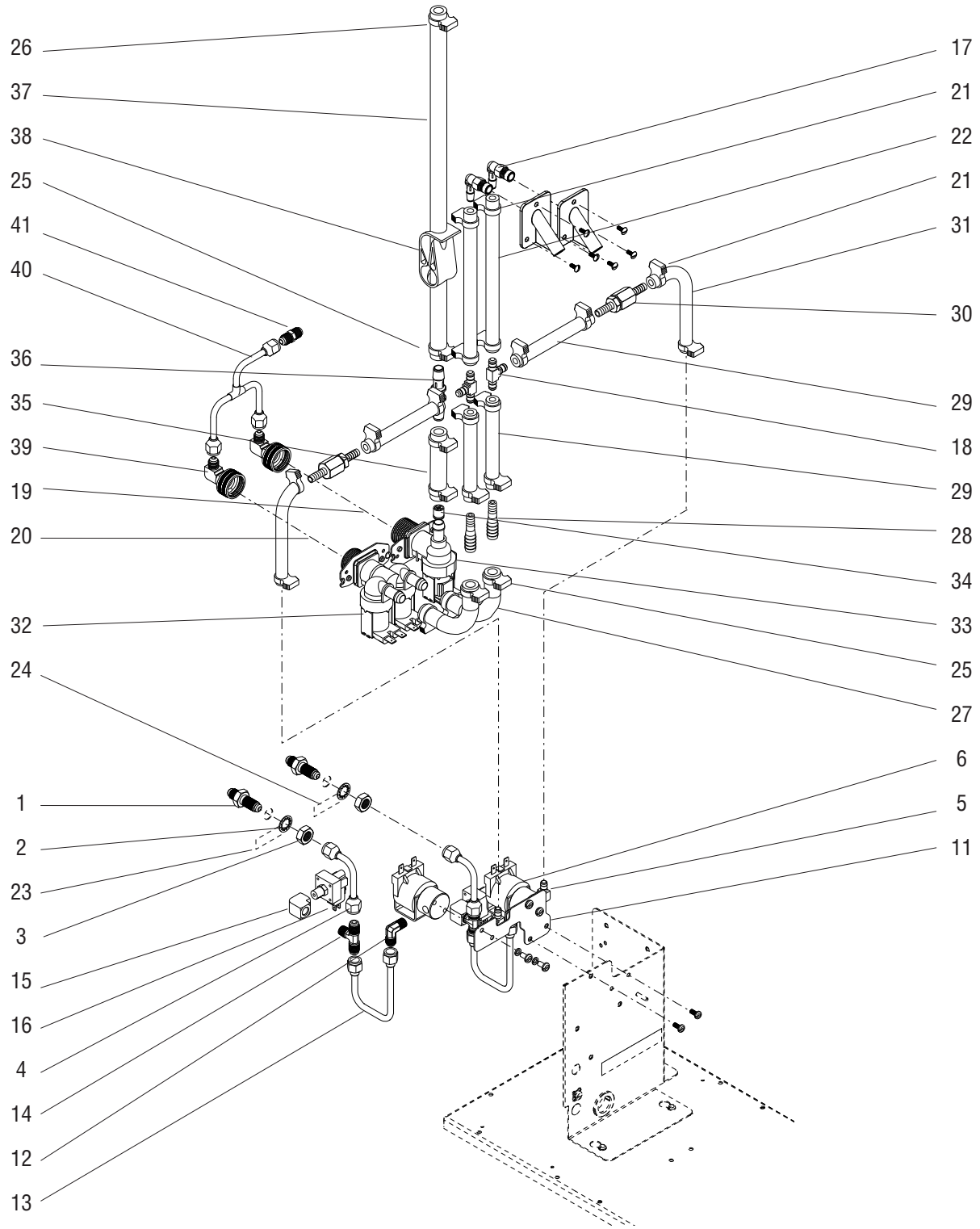
The following items are not illustrated

26	11707.1000	-	Tube, Silicone .250" I.D. x .50" O.D. x 1 Foot (Use as required)
	11707.1001	-	Tube, Silicone .250" I.D. x .50" O.D. x 3 Feet (Use as required)
	11707.1002	-	Tube, Silicone .250" I.D. x .50" O.D. x 10 Feet (Use as required)
	11707.1004	-	Tube, Silicone .250" I.D. x .50" O.D. x 250 Feet (Use as required)



MODELS DUAL DILUTION w/ SWEETENER

ITB SERIES



P4436.50

MODELS DUAL DILUTION w/ SWEETENER

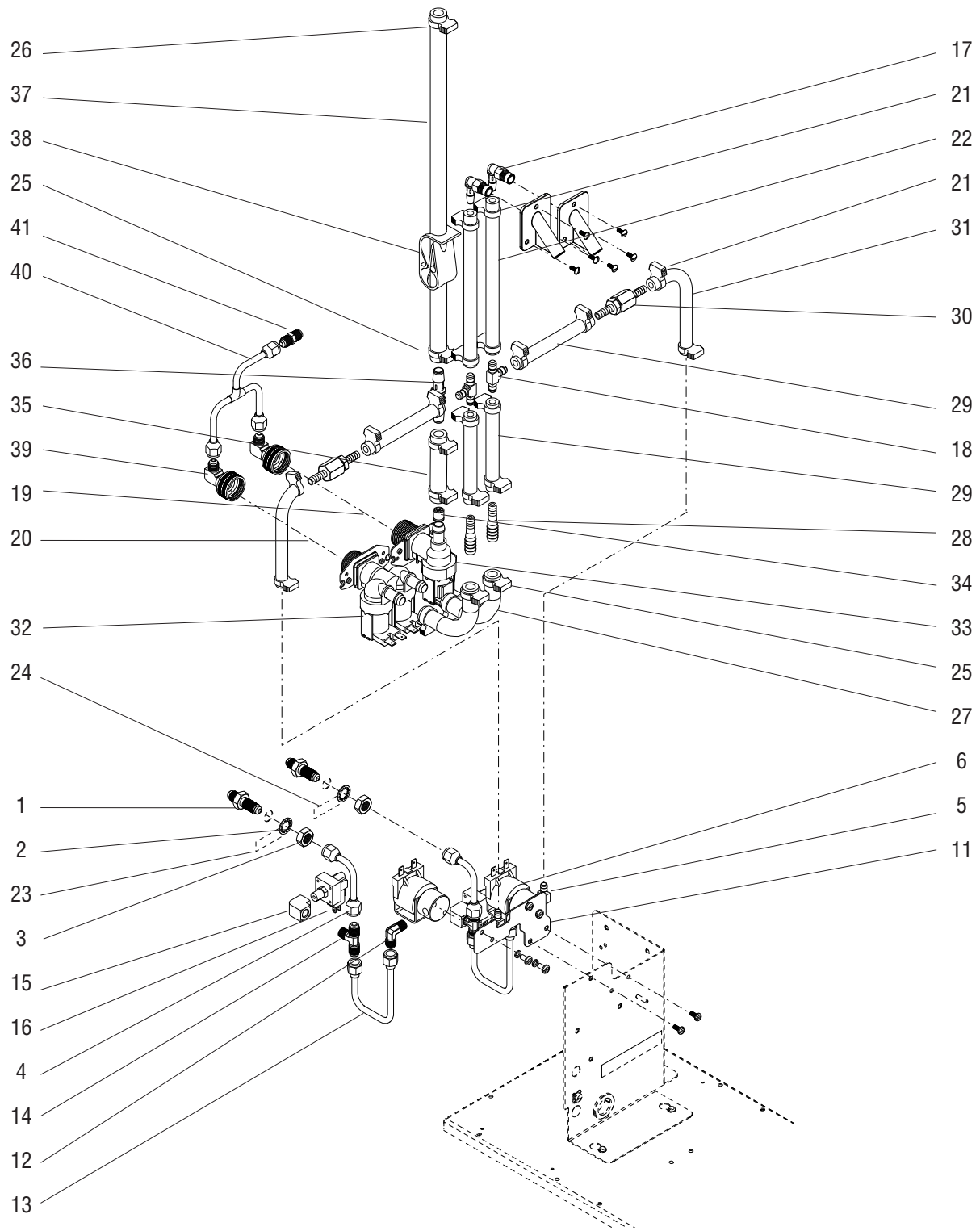
ITEM	PART NO.	QTY.	DESCRIPTION
1	00459.0000	2	Fitting, Bulkhead .250" Flare
2	01532.0000	2	Lockwasher, Internal Tooth .438"
3	00463.0000	2	Nut, Hex - Brass .438"-20
4	36459.0001	2	Tube Assy,
5	00464.0001	2	Elbow, Male-Tnpl.25 Barbx.
6	01085.0000	2	Solenoid Valve, 120V (Includes items 7 - 10)
	01975.0000	2	Solenoid Valve, 240V (Includes items 7,9,10)
	01327.0000	4	Screw, Pan Head #10-32 x .375"
	01502.0000	4	Lockwasher, Split #10
7	01079.0000	1	Solenoid Valve Base
8	01111.0000	1	Solenoid Valve Repair Kit
9	01101.0000	1	Solenoid Valve Coil, 120V
	01100.0000	1	Solenoid Valve Coil, 240V
10	01116.0000	1	Guide
11	07441.0003	1	Bracket
	02308.0000	2	Screw, Pan Head #8-32 x .38"
12	00400.0001	2	Elbow .25" Flare x .125"MPT
13	00310.0005	2	Tube Assy.
14	00431.0001	2	Tee, Male Br-Tn Pl.25flrx
15	00435.0001	2	Elbow, Tin Pld .125npt F
16	38379.1000	2	Switch, Pressure-Low Product
17	47355.0001	2	Elbow (Also included w/dilution nozzle)
18	22150.0001	2	Tee
19	26371.0005	1	Decal, Water Inlet
20	26371.0004	1	Decal, Dilution Inlet
21	12422.0000	21	Clamp, Hose - SNP 6
22		2	Tube, Silicone .250" I.D. x 7.0" LG (Order item 42)
23	26371.0002	1	Decal, BIB #1
24	26371.0003	1	Decal, BIB #2
25	12422.0001	7	Clamp, Hose-Snap SNP-10
26	12422.0006	1	Clamp, Hose-Snap SNP-8
27		2	Tube, Silicone .375" ID x 10.0" LG (Order item 43)
28	26443.0000	2	Reducer

CONTINUED



MODELS DUAL DILUTION w/ SWEETENER

ITB SERIES



P4436.50

MODELS DUAL DILUTION w/ SWEETENER

ITEM	PART NO.	QTY.	DESCRIPTION
29		4	Tube, Silicone .250" I.D. x 4.0" LG (Order item 42)
30	40071.0007	2	Check Valve
31		2	Tube, Silicone .250" I.D. x 8.5" LG (Order item 42)
32	43235.0004	1	Valve 230V
	32283.0000	2	Screw, SST Slotted Panhead M4 X 6mm
33	40506.0020	1	Valve 230V
	32283.0000	2	Screw, SST Slotted Panhead M4 X 6mm
34	36378.0001	1	Check Valve
35		1	Tube, Silicone .375" ID x 3.0" LG (Order item 43)
36	45313.0000	1	Connector
37		1	Tube, Silicone .375" ID x 16.0" LG (Order item 43)
38	11630.0001	1	Clamp, Tubing Shut Off
39	37297.1001	2	Elbow, .25 FLR X .75 Hose THD
40	41969.0000	1	Tube Assembly
41	00436.0001	1	Union, .25" Flare

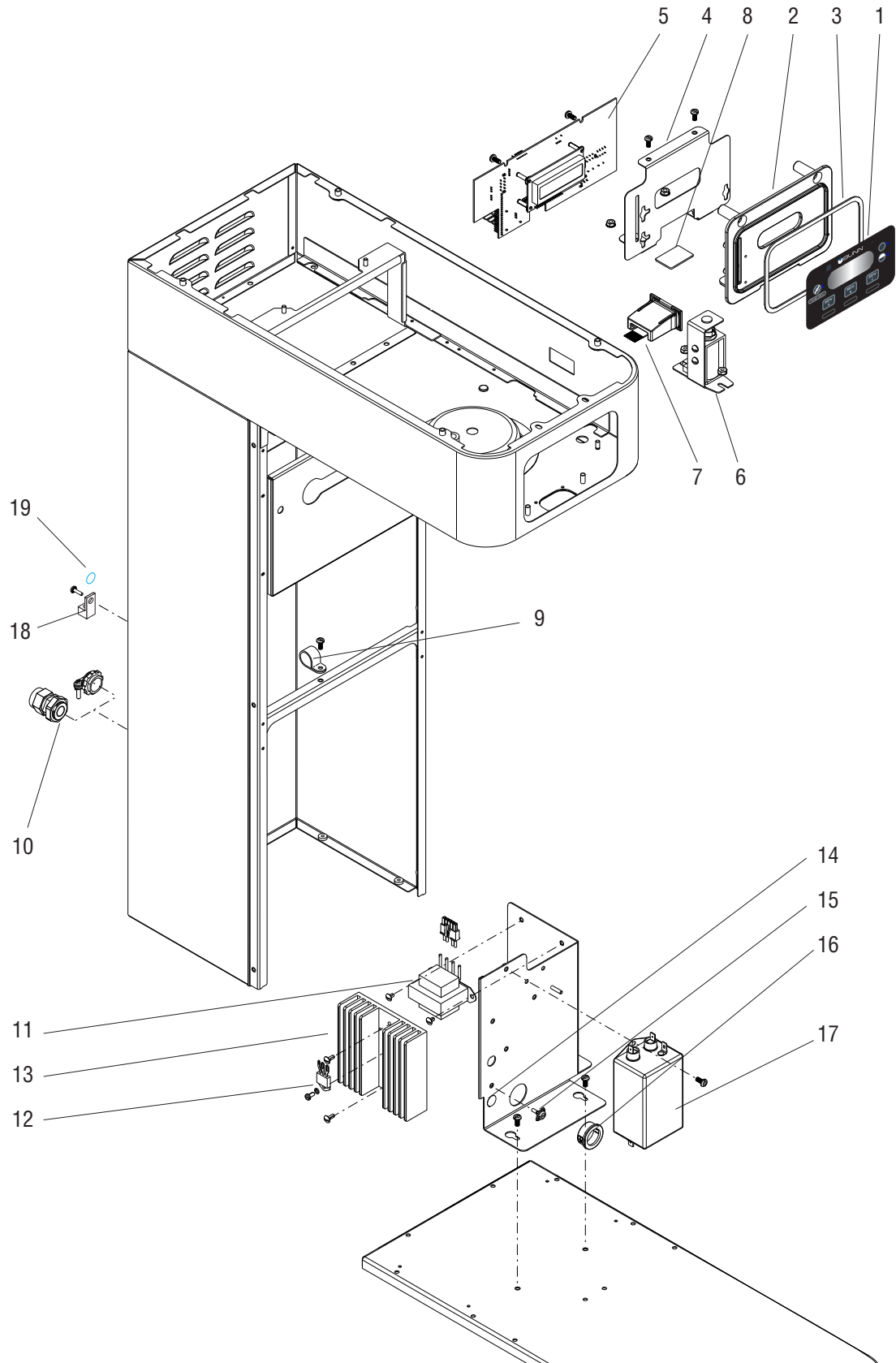
The following items are not illustrated

42	11707.1000	-	Tube, Silicone .250" I.D. x .50" O.D. x 1 Foot (Use as required)
	11707.1001	-	Tube, Silicone .250" I.D. x .50" O.D. x 3 Feet (Use as required)
	11707.1002	-	Tube, Silicone .250" I.D. x .50" O.D. x 10 Feet (Use as required)
	11707.1004	-	Tube, Silicone .250" I.D. x .50" O.D. x 250 Feet (Use as required)
43	20976.1000	-	Tube, Silicone .375" ID x 1 Foot (Use as required)
	20976.1001	-	Tube, Silicone .375" ID x 3 Feet (Use as required)
	20976.1002	-	Tube, Silicone .375" ID x 10 Feet (Use as required)



ELECTRICAL & OPERATING CONTROLS

ITB SERIES



P4431.50

ELECTRICAL & OPERATING CONTROLS

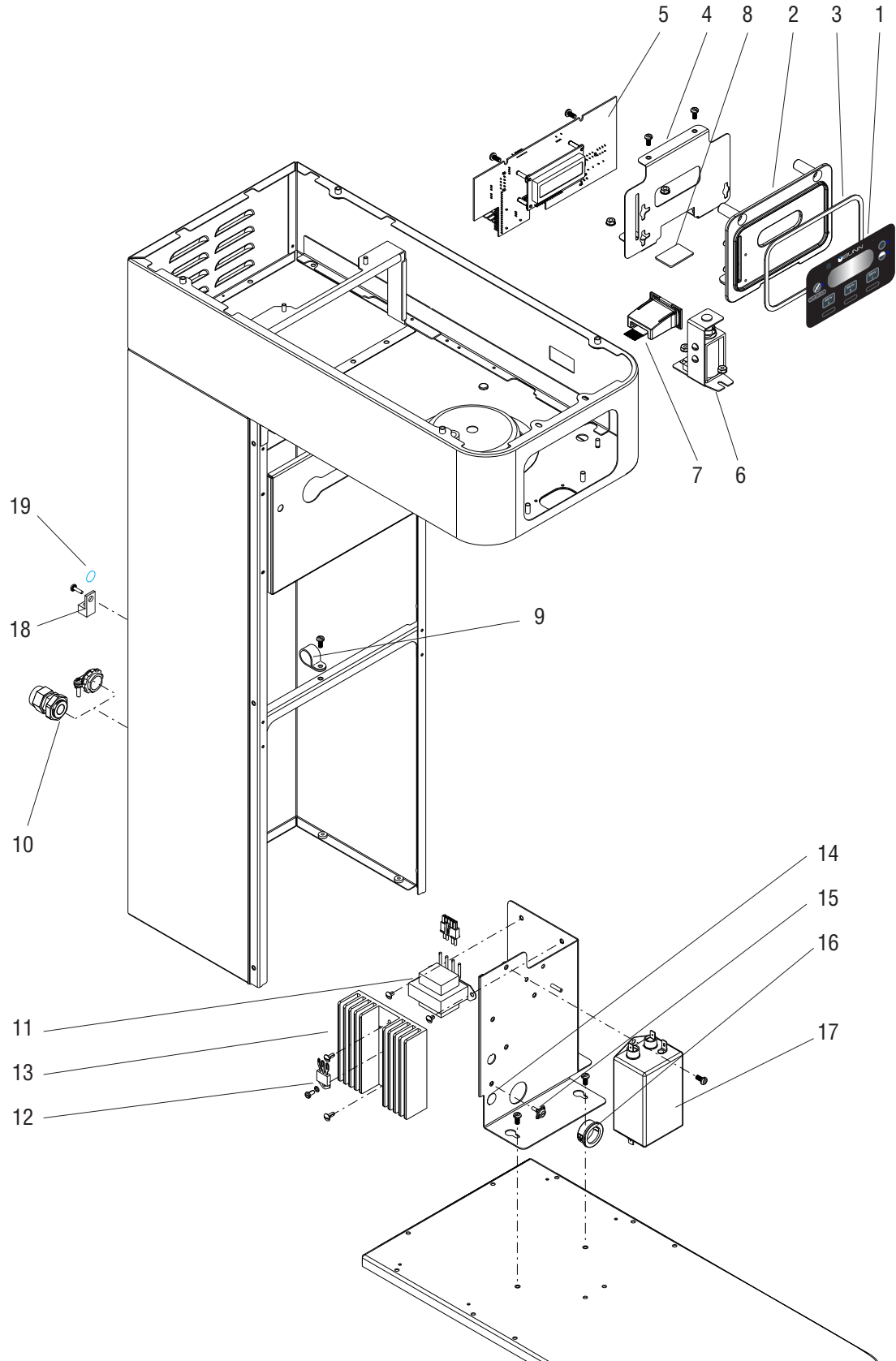
ITEM	PART NO.	QTY.	DESCRIPTION
1	52904.0000	1	Membrane Switch
2	52864.0000	1	Bezel
3	53344.0001	1	Gasket
4	51337.0002	1	Bracket
	02308.0000	2	Screw, Pan Head #8-32 x .38"
	00971.0000	2	Nut
5	52887.1000	1	Control Board 120V
	53833.1000	1	Control Board 230V
6	35952.1006	1	Solenoid 120V
	35952.1007	1	Solenoid 130V
	00970.0000	2	Nut, Keps #8-32
7	48455.0001	1	USB Receptacle
8	52947.0001	1	Seal
9	00610.0000	1	Clamp
	02308.0000	1	Screw, Pan Head #8-32 x .38"
10	01685.0000	1	Strain Relief 120V
	05746.0000	1	Strain Relief 230V
11	34307.1001	1	Transformer 120V
	34307.1002	1	Transformer 230V
	01308.0002	2	Screw, Truss Head 6-32 x .25" Lkg.
12	12565.0046	1	Triac (Standard Models)
	12565.0039	1	Triac (Low Profile Models)
	12565.0047	1	Triac (230V Models)
	02328.0003	1	Screw, 6-32 x .312"
	01520.0000	1	Lockwasher
	M2522.1000	-	Heat Sink Compound, 5oz Tube
13	20541.0001	1	Heatsink
	01382.0007	2	Screw, 6-32 x .375"
14	00824.0002	1	Decal, Ground 120V
15	37804.0000	1	Screw, Ground
16	01592.0000	1	Bushing, Snap
17	50159.0000	1	EMI Filter 230V
	01311.0001	2	Screw, Truss Head #6-32 x .25"
18	27705.0000	1	Terminal Lug
	02308.0000	2	Screw, Pan Head #8-32 x .38"
19	00824.0001	1	Decal, Equipotential 230V

CONTINUED



ELECTRICAL & OPERATING CONTROLS

ITB SERIES



P4431.50

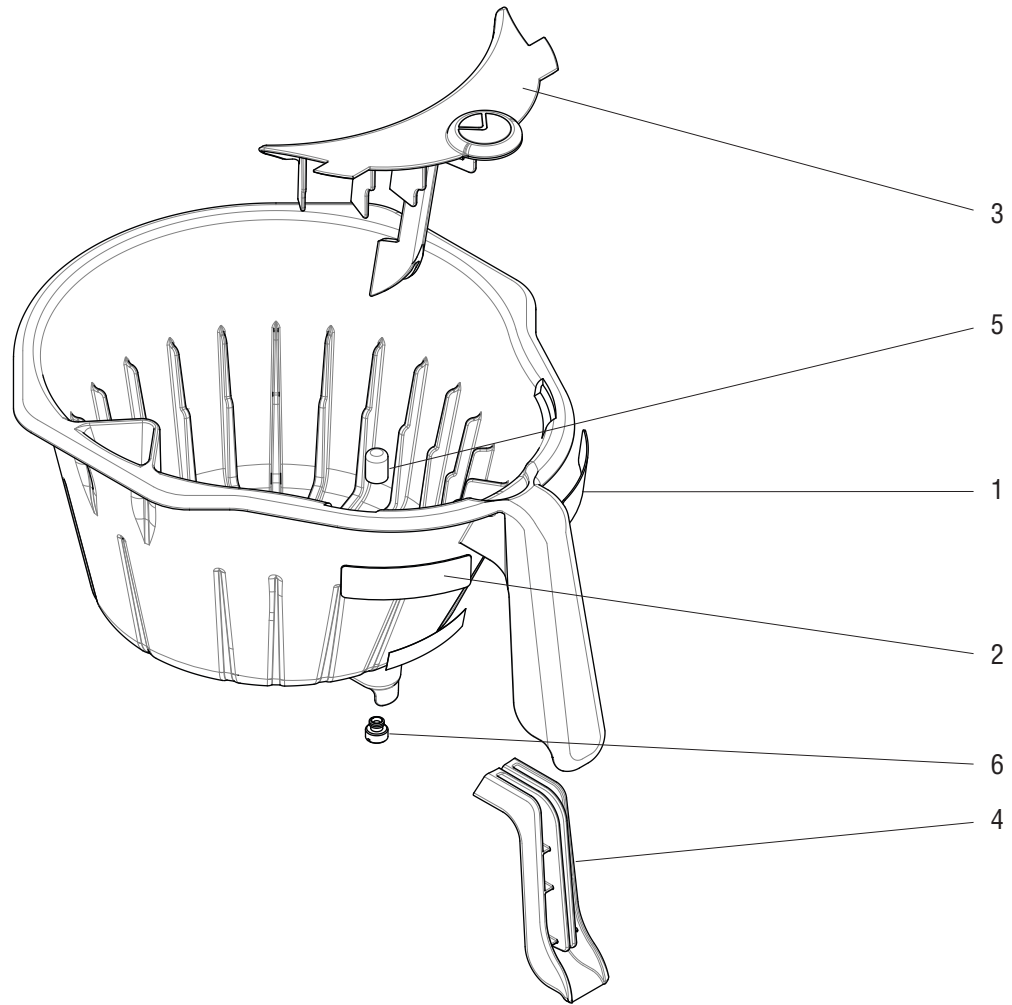
ELECTRICAL & OPERATING CONTROLS

ITEM	PART NO.	QTY.	DESCRIPTION
The following items are not illustrated			
20	48823.0011	1	Wiring Harness, Main (ITB 120V) (Standard Models)
	48823.0008	1	Wiring Harness, Main (ITB 120V) (Low Profile Models)
	48823.0010	1	Wiring Harness, Main (ITB 120V) (Models with Sweetner)
	48823.0009	1	Wiring Harness, Main (ITB 120V) (Models with Sweetener & Dual Dilution)
	48823.0012	1	Wiring Harness, Main (ITBA 230V) (Models with Sweetener & Dual Dilution)
21	01637.0000	1	Cord, Power 120V
	42749.0035	1	Cord, Power 230V
22	36674.0014	1	Wiring Harness, Liquid Level
	36674.0012	1	Wiring Harness, Liquid Level (ITB DDIL with Sweetner)
	36674.0013	1	Wiring Harness, Liquid Level (ITB Dual Dilution)
	36674.0017	1	Wiring Harness, Liquid Level (ITBA DDIL with Sweetner)
23	44022.0000	1	Wiring Harness, Transformer to CBA
24	54217.0000	1	Wiring Harness, Pressure Switch 120V
	54217.0001	1	Wiring Harness, Pressure Switch 230V
25	22918.0002	2	Thermal Fuse 230V (ITBA)
26	48455.0002	1	USB Receptacle Cover



FUNNEL

ITB SERIES



P4437

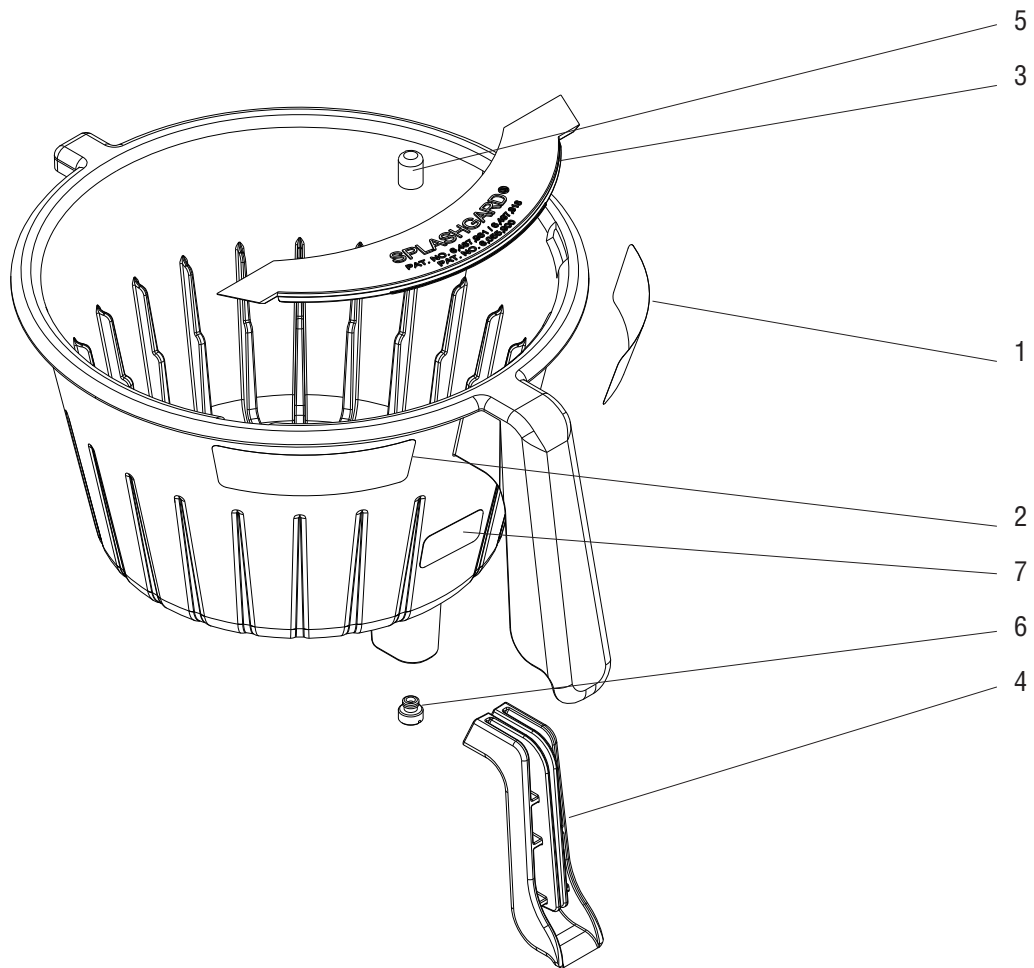
FUNNEL

ITEM	PART NO.	QTY.	DESCRIPTION
-	53463.0040	1	Funnel Assy, Plastic (Includes Items 1 thru 6)
1	03408.0008	1	Decal, Caution-Remove Funnel
2	03409.0006	1	Decal, Caution-Hot Liquid
3	53374.0005	1	Splash Guard
4	53544.0003	1	Insert, Funnel Handle
5	03284.0001	1	Adapter, Funnel w/Screen
6	03407.0000	1	Funnel Tip, .082"



FUNNEL, ROTATIONAL

ITB SERIES



P4438

FUNNEL, ROTATIONAL

ITEM	PART NO.	QTY.	DESCRIPTION
-	53463.0012	1	Funnel Assy, Plastic (Includes Items 1 thru 7)
1	03408.0009	1	Decal, Caution-Remove Funnel
2	03409.0007	1	Decal, Caution-Hot Liquid
3	32965.0003	1	Splash Guard
4	53544.0001	1	Insert, Funnel Handle
5	03284.0001	1	Adapter, Funnel w/Screen
6	03407.0000	1	Funnel Tip, .082"
7	53685.0000	1	Decal, Arrows